



US00D813142S

(12) **United States Design Patent**
Curts

(10) **Patent No.:** **US D813,142 S**

(45) **Date of Patent:** **** *Mar. 20, 2018**

(54) **CLEAT FOR A BOAT**

D495,232 S * 8/2004 Fields D8/315
6,899,048 B1 * 5/2005 Lo B63B 21/045
114/218

(71) Applicant: **MasterCraft Boat Company, LLC**,
Vonore, TN (US)

(Continued)

(72) Inventor: **Chadrick E. Curts**, Lenoir City, TN
(US)

OTHER PUBLICATIONS

(73) Assignee: **MasterCraft Boat Company, LLC**,
Vonore, TN (US)

Accon Marine 450-4MC 4.5" Mastercraft Pull-Up Cleat, posted at Amazon.com, posted on © 1996-2017, site visited Apr. 27, 2017, <<https://www.amazon.com/Accon-Marine-450-4MC-Mastercraft-Pull-Up/dp/B01M6A1NYE>>.*

(*) Notice: This patent is subject to a terminal disclaimer.

(Continued)

(**) Term: **15 Years**

Primary Examiner — Barbara Fox

Assistant Examiner — Messina L Smith

(21) Appl. No.: **29/569,072**

(74) *Attorney, Agent, or Firm* — Fitzpatrick, Cella,

Harper & Scinto

(22) Filed: **Jun. 23, 2016**

(51) **LOC (11) Cl.** **12-06**

(52) **U.S. Cl.**

USPC **D12/308**

(57) **CLAIM**

(58) **Field of Classification Search**

USPC D12/317, 302–304, 308–310, 318, 2, 3;
D8/300, 315–316, 319–321;

D21/805–806, 839–840, 775, 777

CPC B63B 35/815; B63B 35/7946; B63B

35/7926; B63B 35/7923; B63B 15/00;

B63B 3/00; B63B 3/02; B63B 3/09;

B63B 3/10; B63B 3/12; B63B 3/13;

B63B 3/14; B63B 17/00; B63B 17/02;

B63B 25/18; B63B 21/56; B63B 21/66;

B63B 21/663; B63B 21/54; B63B 21/045;

B63B 21/04; B63B 27/22; B63B 1/248;

B63B 1/242; B63B 1/24; B63B 1/28;

B63B 1/30; B63B 1/26; B63B 1/04;

B63B 2039/063; B63B 2017/026; B63H

20/24; E04H 15/60

See application file for complete search history.

The ornamental design for a cleat for a boat, as shown and described.

DESCRIPTION

FIG. 1 is a perspective view of a cleat for a boat, showing the new design;

FIG. 2 is a left side elevational view of the cleat for a boat, with the right side elevational view (not shown) being a mirror image of the left side view;

FIG. 3 is a front elevational view of the cleat for a boat, with the rear elevational view (not shown) being a mirror image of the front elevational view;

FIG. 4 is a top view of the cleat for a boat; and,

FIG. 5 is a bottom view of the cleat for a boat taken along line 5-5 in FIG. 3.

The broken lines in the drawings depict portions of the cleat for a boat that form no part of the claimed design.

(56) **References Cited**

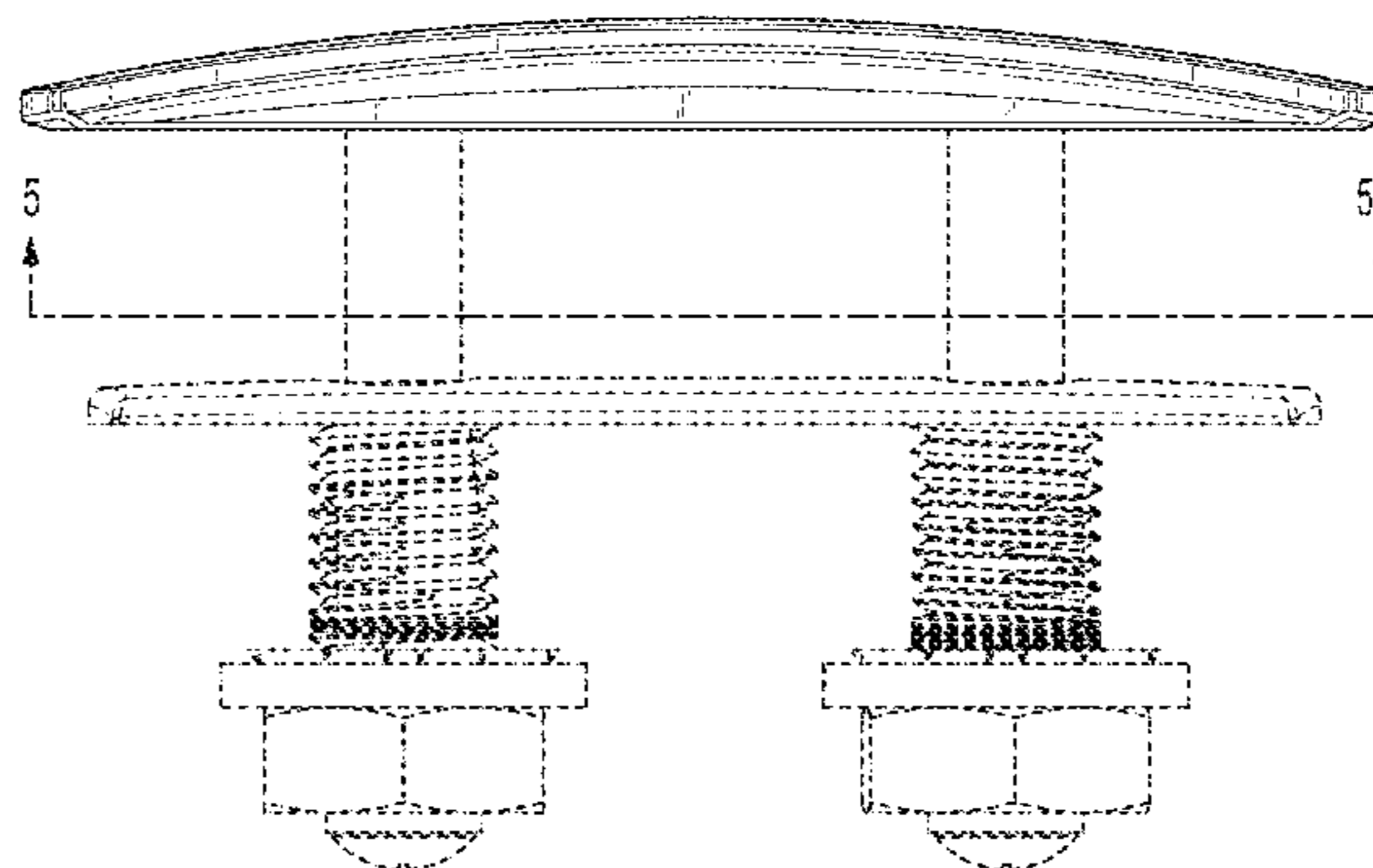
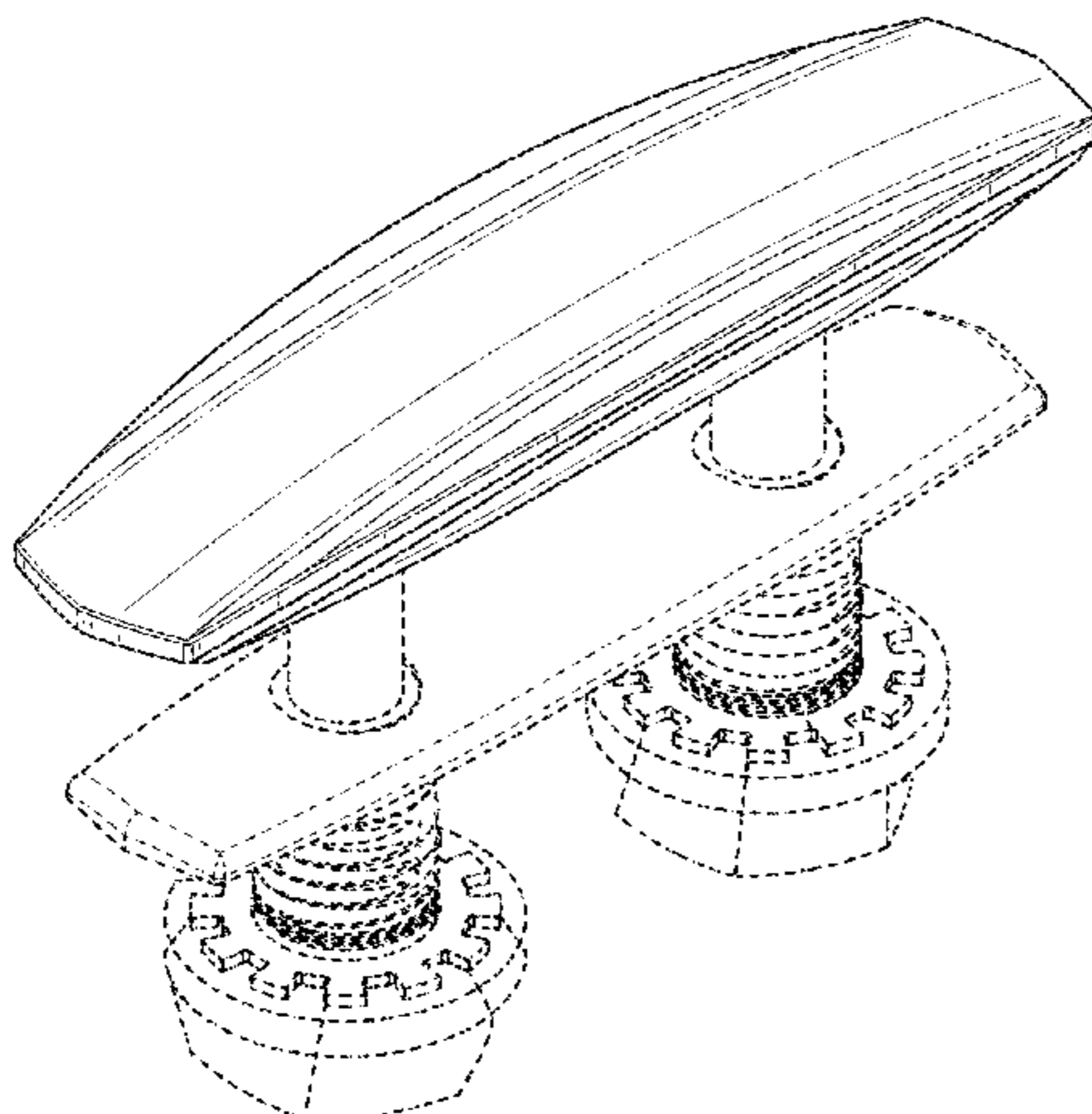
U.S. PATENT DOCUMENTS

3,115,113 A * 12/1963 Ellsworth B63B 21/045

114/218

D199,430 S * 10/1964 Tucker D8/319

1 Claim, 5 Drawing Sheets



(56)

References Cited

U.S. PATENT DOCUMENTS

D551,540 S *	9/2007	Czipri	D12/317
D561,675 S *	2/2008	Czipri	D12/317
D563,763 S *	3/2008	Kelly	D8/300
8,402,907 B2 *	3/2013	Cleveland	B63B 21/045 114/218
D708,936 S *	7/2014	Bridgewater	D8/356
8,833,285 B1 *	9/2014	Czipri	B63B 21/04 114/218
D760,070 S *	6/2016	Sarnowski	D8/382
2004/0099197 A1 *	5/2004	King	B63B 21/045 114/218
2006/0112869 A1 *	6/2006	King	B63B 13/00 114/218
2008/0121161 A1 *	5/2008	Pugh	B63B 21/045 114/218

OTHER PUBLICATIONS

Seachoice Stainless Steel Pull-Up Cleat with Studs, posted at Jet.com, posted on © 2017, site visited Apr. 27, 2017, <https://jet.com/product/detail/2b285041f7c9407089458d52e1a7d225?jcmp=pla:ggl:NJ_dur_Gen_Sporting_Goods_a2:Sporting_Goods_Boating_Boat_Motors_a2:na:PLA_783891037_42653307058_pla-292572047165:na:na:na:2&code=PLA15>.*

4½" Flush Mount Stainless Steel Pull Up Boat Cleat, posted at Ebay.com, posted on Nov. 26, 2010, site visited Apr. 27, 2017, <<http://www.ebay.com/itm/4-1-2-034-Flush-Mount-Stainless-Steel-Pull-Up-Boat-Cleat-/120652305684>>.*

Attwood Marine Products Catalog 2016, pp. front cover, 1, 2, 175-180, 361, 379-385, and back cover, available at <http://www.attwoodmarine.com/catalog-pdf> (downloaded Oct. 6, 2015).

Cleats, Accon Marine, <http://shop.acconmarine.com/category/3-cleats.aspx?pagesize=10000> (last visited Oct. 6, 2015).

* cited by examiner

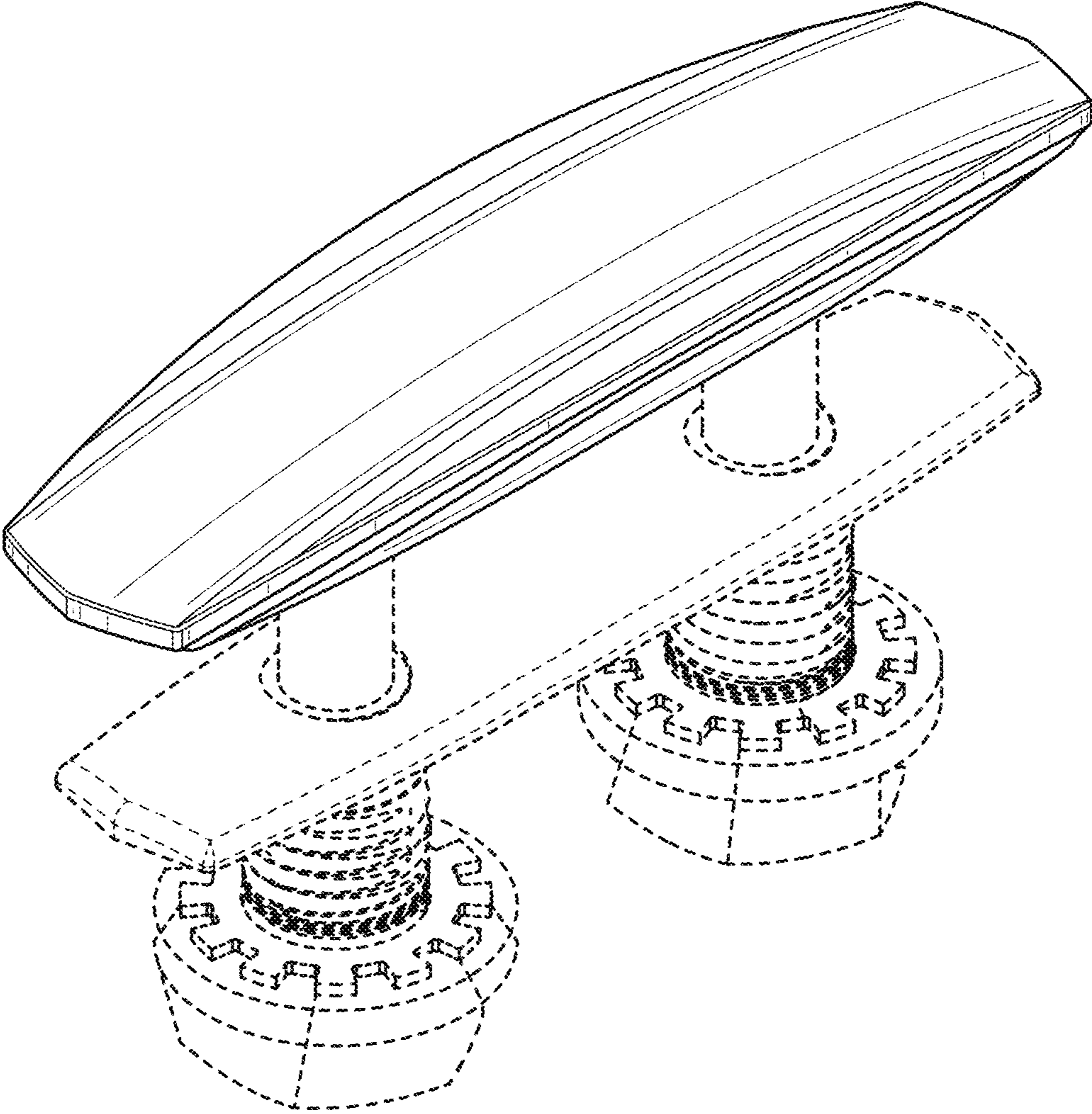


FIG. 1

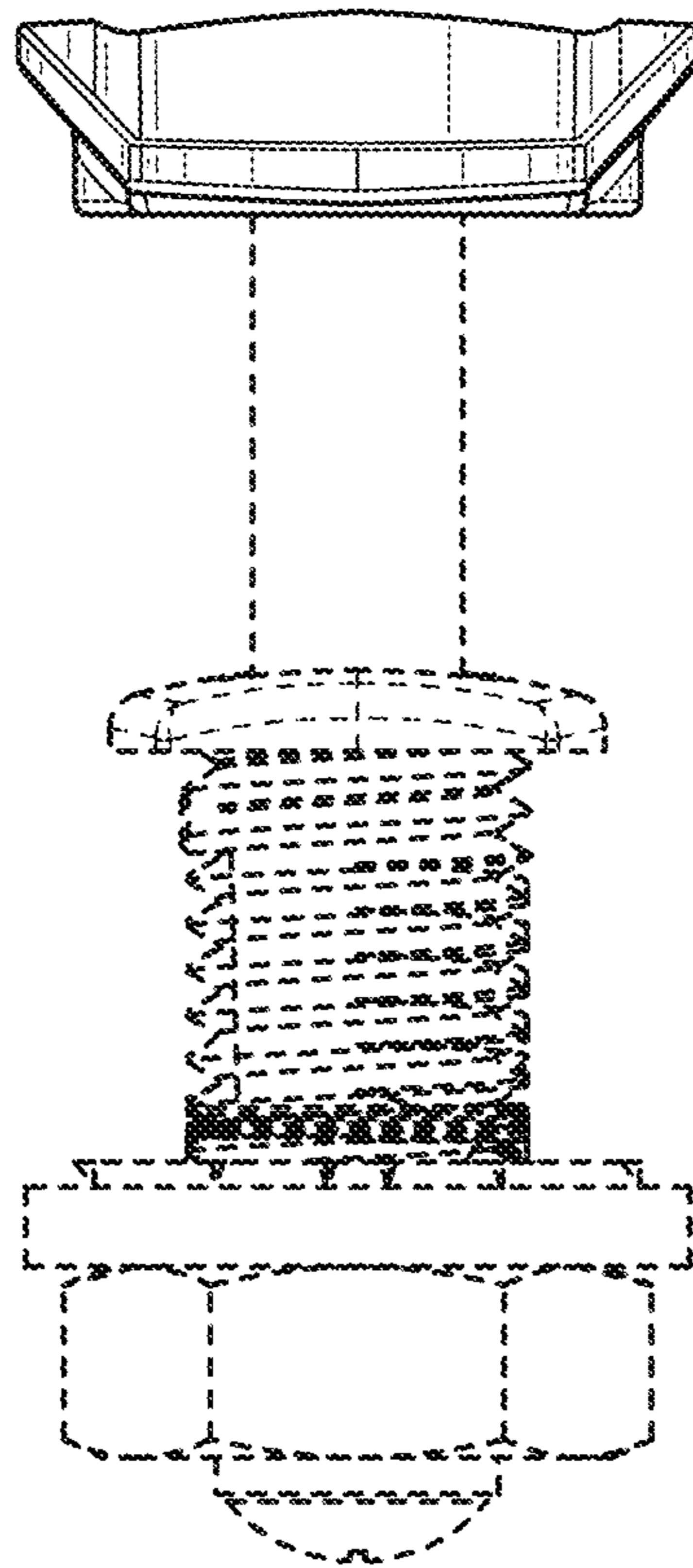


FIG. 2

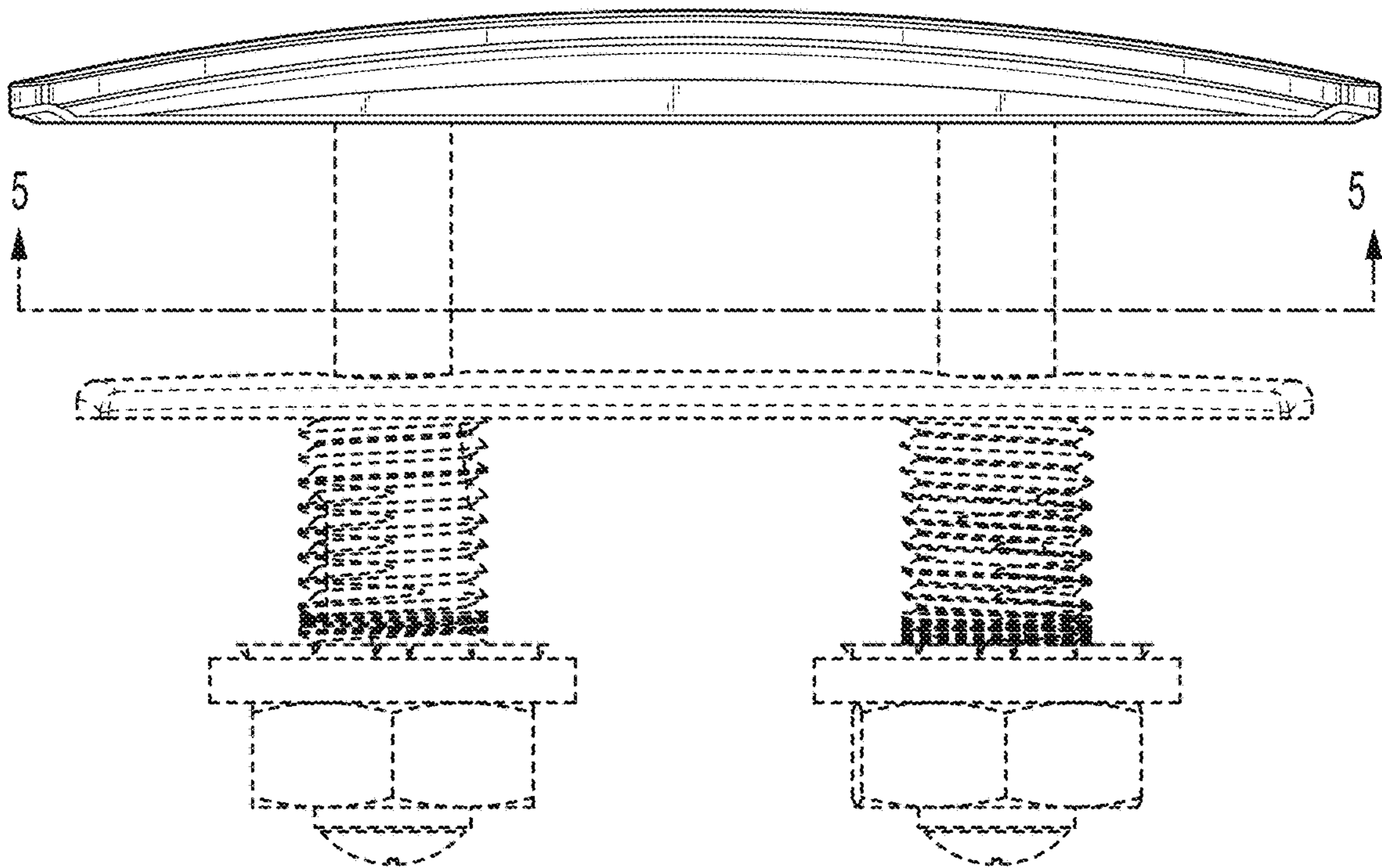


FIG. 3

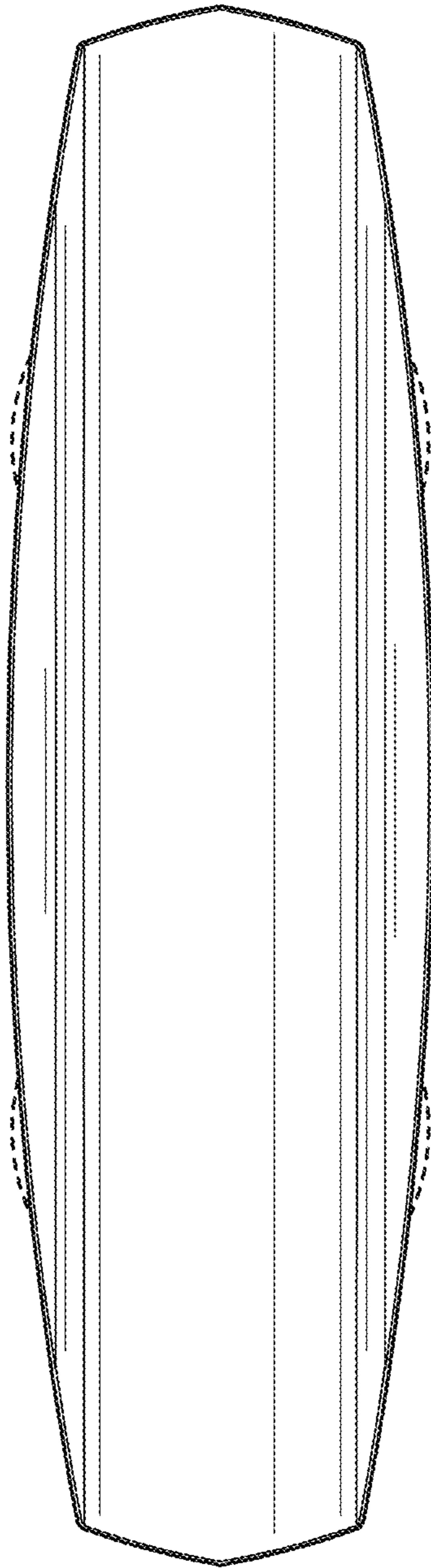


FIG. 4

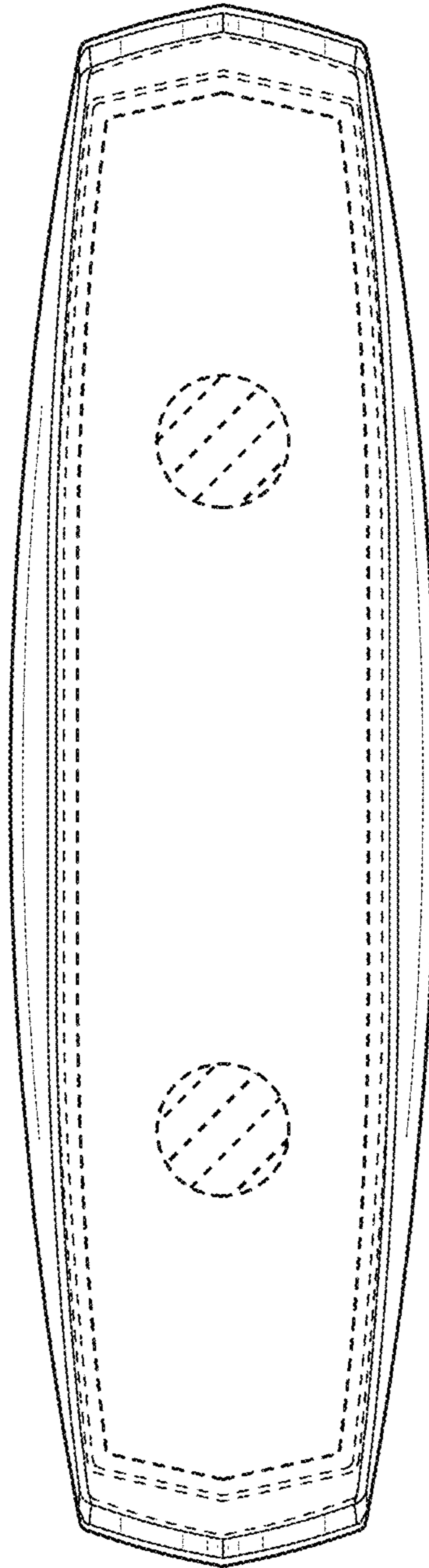


FIG. 5