



US00D813141S

(12) **United States Design Patent**  
**Curts**

(10) **Patent No.:** **US D813,141 S**

(45) **Date of Patent:** **\*\* \*Mar. 20, 2018**

(54) **CLEAT FOR A BOAT**

(71) Applicant: **MasterCraft Boat Company, LLC**,  
Vonore, TN (US)

(72) Inventor: **Chadrick E. Curts**, Lenoir City, TN  
(US)

(73) Assignee: **MasterCraft Boat Company, LLC**,  
Vonore, TN (US)

(\*) Notice: This patent is subject to a terminal disclaimer.

(\*\*) Term: **15 Years**

(21) Appl. No.: **29/569,071**

(22) Filed: **Jun. 23, 2016**

(51) **LOC (11) Cl.** ..... **12-06**

(52) **U.S. Cl.**  
USPC ..... **D12/308**

(58) **Field of Classification Search**

USPC ..... D12/317, 302-304, 308-310, 318, 2, 3;  
D08/300, 315-316, 319-321;  
D21/805-806, 839-840, 775, 777  
CPC ..... B63B 35/815; B63B 35/7946; B63B  
35/7926; B63B 35/7923; B63B 15/00;  
B63B 3/00; B63B 3/02; B63B 3/09;  
B63B 3/10; B63B 3/12; B63B 3/13;  
B63B 3/14; B63B 17/00; B63B 17/02;  
B63B 25/18; B63B 21/56; B63B 21/66;  
B63B 21/663; B63B 21/54; B63B 21/045;  
B63B 21/04; B63B 27/22; B63B 1/248;  
B63B 1/242; B63B 1/24; B63B 1/28;  
B63B 1/30; B63B 1/26; B63B 1/04;  
B63H 20/24; E04H 15/60

See application file for complete search history.

(56) **References Cited**

**U.S. PATENT DOCUMENTS**

3,115,113 A \* 12/1963 Ellsworth ..... B63B 21/045  
114/218  
D199,430 S \* 10/1964 Tucker ..... D8/319  
D495,232 S \* 8/2004 Fields ..... D8/315

6,899,048 B1 \* 5/2005 Lo ..... B63B 21/045  
114/218  
D551,540 S \* 9/2007 Czipri ..... D12/317  
D561,675 S \* 2/2008 Czipri ..... D12/317  
D563,763 S \* 3/2008 Kelly ..... D8/300

(Continued)

**OTHER PUBLICATIONS**

Accon Marine 450-4MC 4.5" Mastercraft Pull-Up Cleat, posted at Amazon.com, posted on © 1996-2017, site visited Apr. 27, 2017, <<https://www.amazon.com/Accon-Marine-450-4MC-Mastercraft-Pull-Up/dp/B01M6A1NYE>>.\*

Seachoice Stainless Steel Pull-Up Cleat with Studs, posted at Jet.com, posted on © 2017, site visited Apr. 27, 2017, <[https://jet.com/product/detail/2b285041f7c9407089458d52e1a7d225?jcmp=pla:ggl:NJ\\_dur\\_Gen\\_Sporting\\_Goods\\_a2:Sporting\\_Goods\\_Boating\\_Boat\\_Motors\\_a2:na:PLA\\_783891037\\_42653307058\\_pla-292572047165:na:na:2&code=PLA15](https://jet.com/product/detail/2b285041f7c9407089458d52e1a7d225?jcmp=pla:ggl:NJ_dur_Gen_Sporting_Goods_a2:Sporting_Goods_Boating_Boat_Motors_a2:na:PLA_783891037_42653307058_pla-292572047165:na:na:2&code=PLA15)>.\*

(Continued)

*Primary Examiner* — Barbara Fox

*Assistant Examiner* — Messina L Smith

(74) *Attorney, Agent, or Firm* — Fitzpatrick, Cella, Harper & Scinto

(57) **CLAIM**

The ornamental design for a cleat for a boat, as shown and described.

**DESCRIPTION**

FIG. 1 is a perspective view of a cleat for a boat, showing the new design;

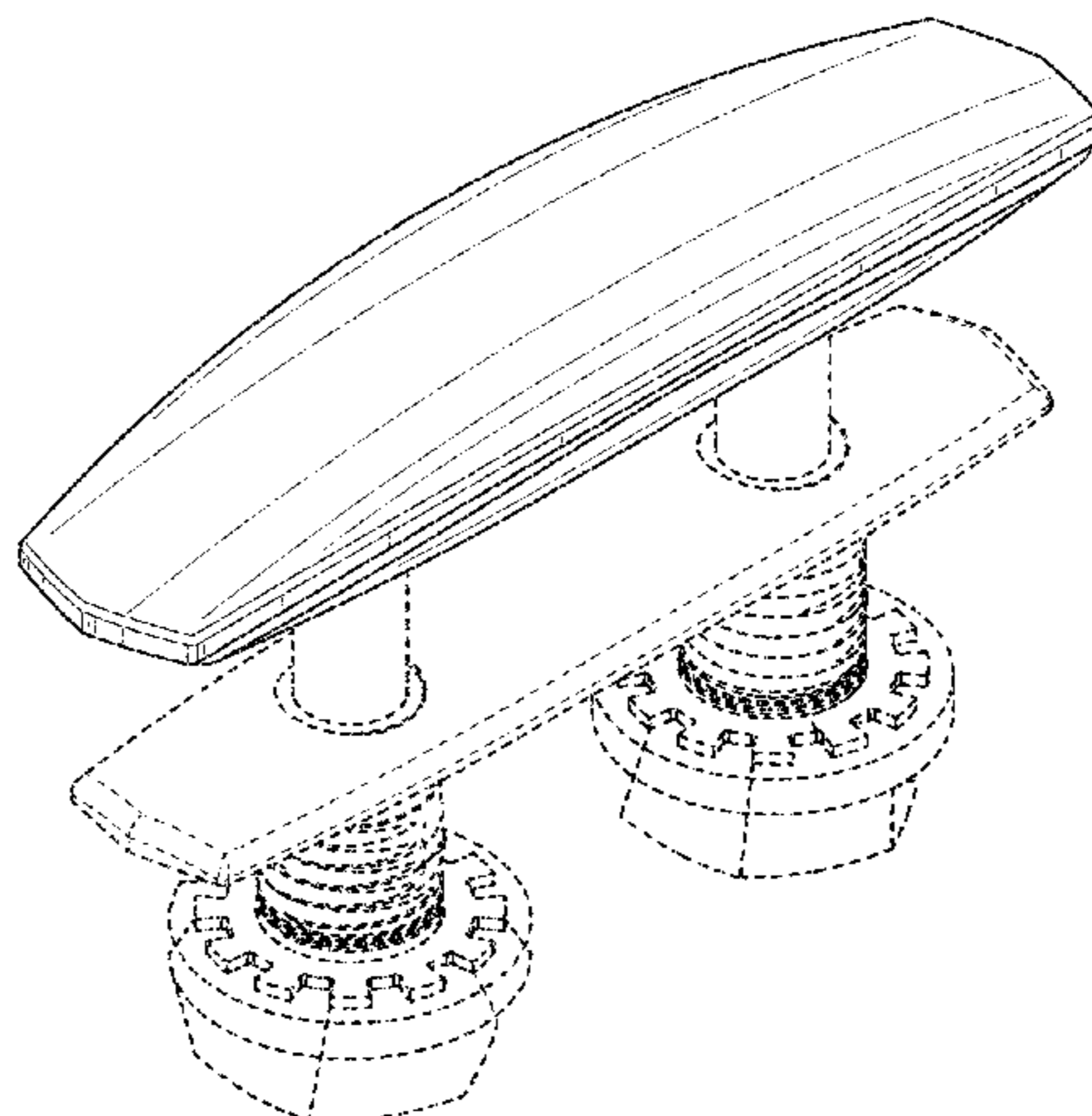
FIG. 2 is a left side elevational view of the cleat for a boat, with the right side elevational view (not shown) being a mirror image of the left side view;

FIG. 3 is a front elevational view of the cleat for a boat, with the rear elevational view (not shown) being a mirror image of the front elevational view;

FIG. 4 is a top view of the cleat for a boat; and, FIG. 5 is a bottom view of the cleat for a boat taken along line 5-5 in FIG. 3.

The broken lines in the drawings depict portions of the cleat for a boat that form no part of the claimed design.

**1 Claim, 5 Drawing Sheets**



(56)

**References Cited**

U.S. PATENT DOCUMENTS

8,402,907 B2 \* 3/2013 Cleveland ..... B63B 21/045  
114/218  
D708,936 S \* 7/2014 Bridgewater ..... D8/356  
8,833,285 B1 \* 9/2014 Czipri ..... B63B 21/04  
114/218  
D760,070 S \* 6/2016 Sarnowski ..... D8/382  
2004/0099197 A1 \* 5/2004 King ..... B63B 21/045  
114/218  
2006/0112869 A1 \* 6/2006 King ..... B63B 13/00  
114/218  
2008/0121161 A1 \* 5/2008 Pugh ..... B63B 21/045  
114/218

OTHER PUBLICATIONS

4-1/2" Flush Mount Stainless Steel Pull Up Boat Cleat, posted at  
Ebay.com, posted on Nov. 26, 2010, site visited Apr. 27, 2017,  
<<http://www.ebay.com/itm/4-1-2-034-Flush-Mount-Stainless-Steel-Pull-Up-Boat-Cleat/-120652305684>>.\*  
Attwood Marine Products Catalog 2016, pp. front cover, 1, 2,  
175-180, 361, 379-385, and back cover, available at <http://www.attwoodmarine.com/catalog-pdf> (downloaded Oct. 6, 2015).  
Cleats, Accon Marine, <http://shop.acconmarine.com/category/3-cleats.aspx?pagesize=10000> (last visited Oct. 6, 2015).

\* cited by examiner

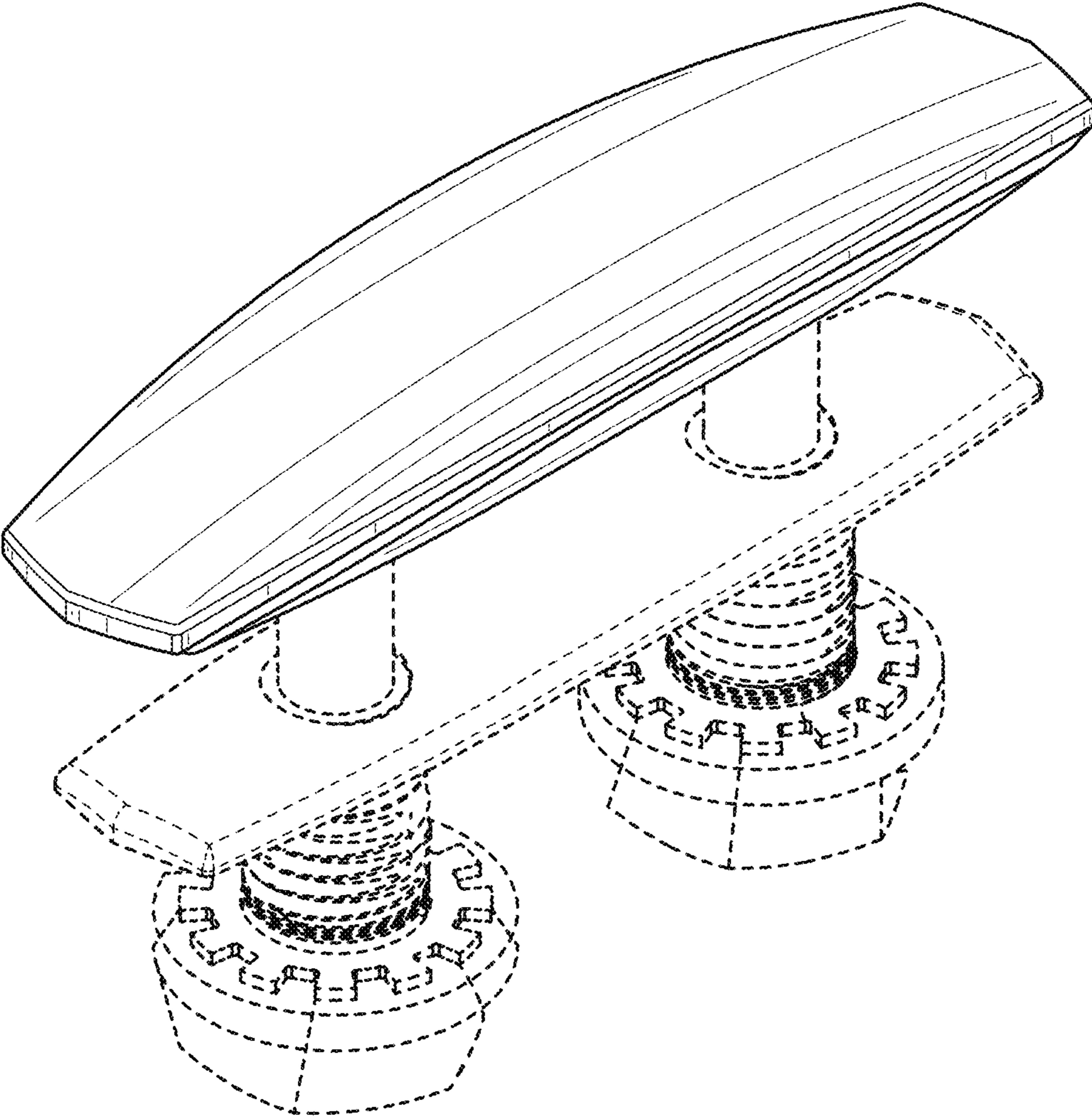


FIG. 1

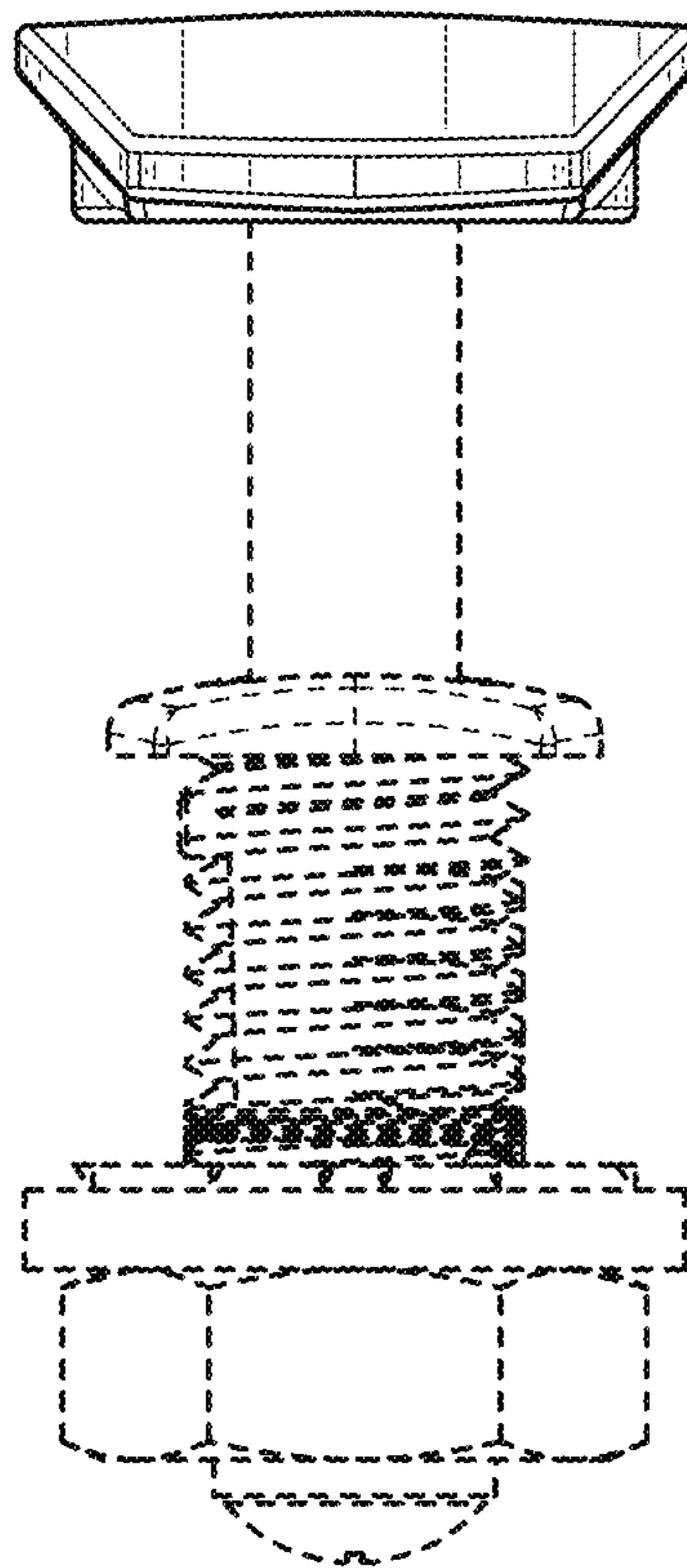


FIG. 2

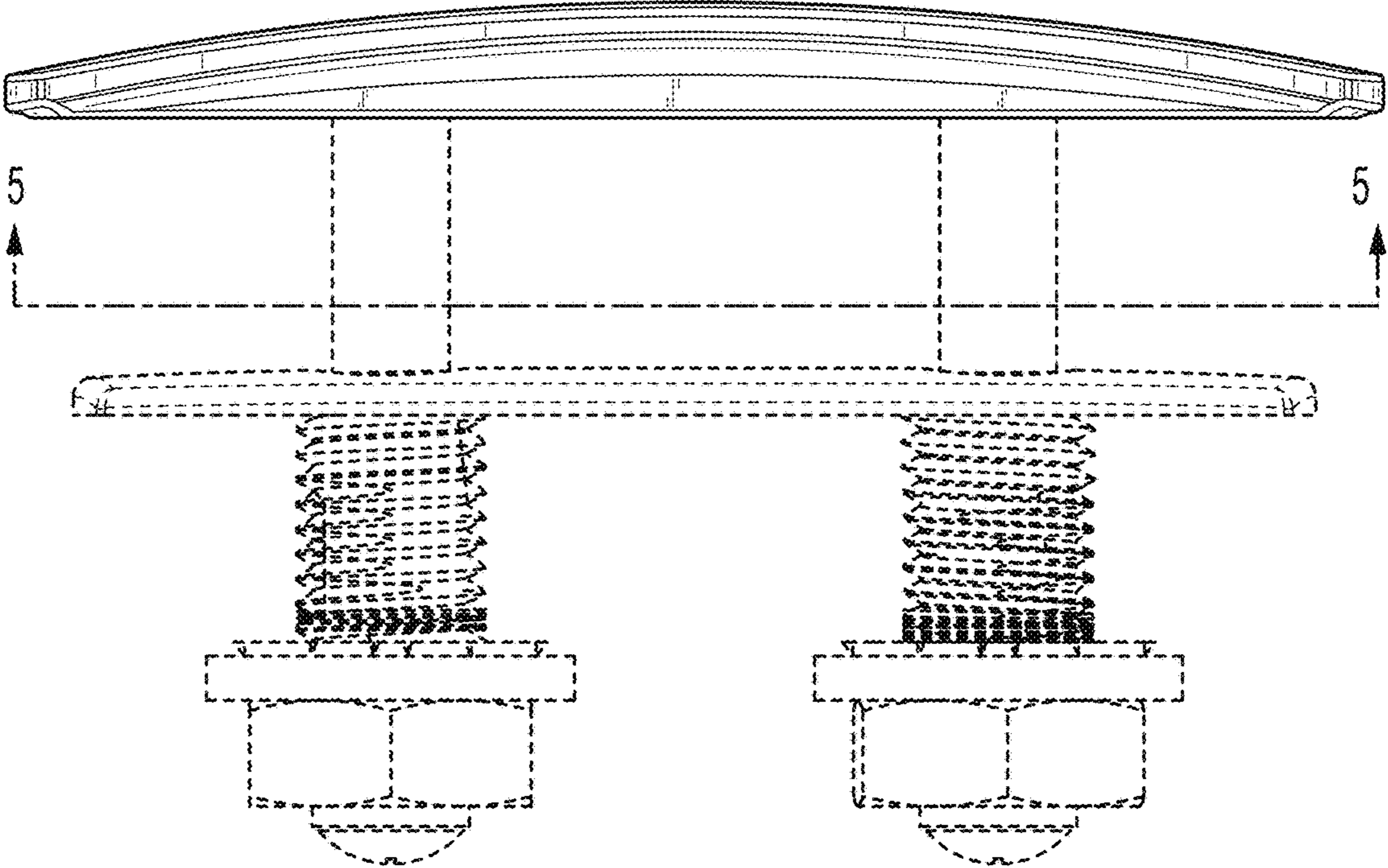


FIG. 3

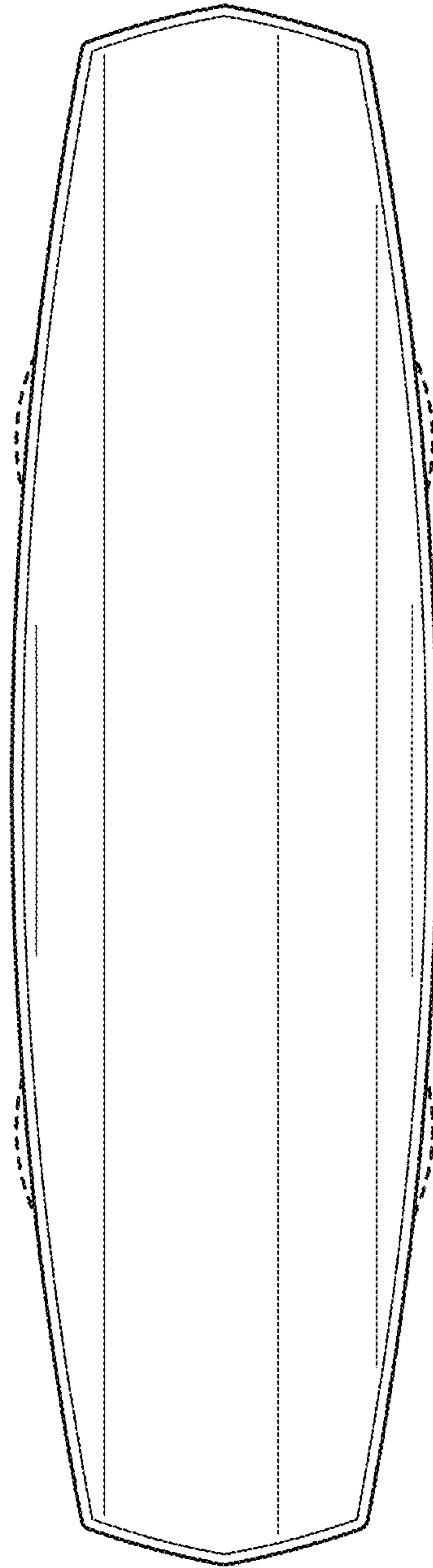


FIG. 4

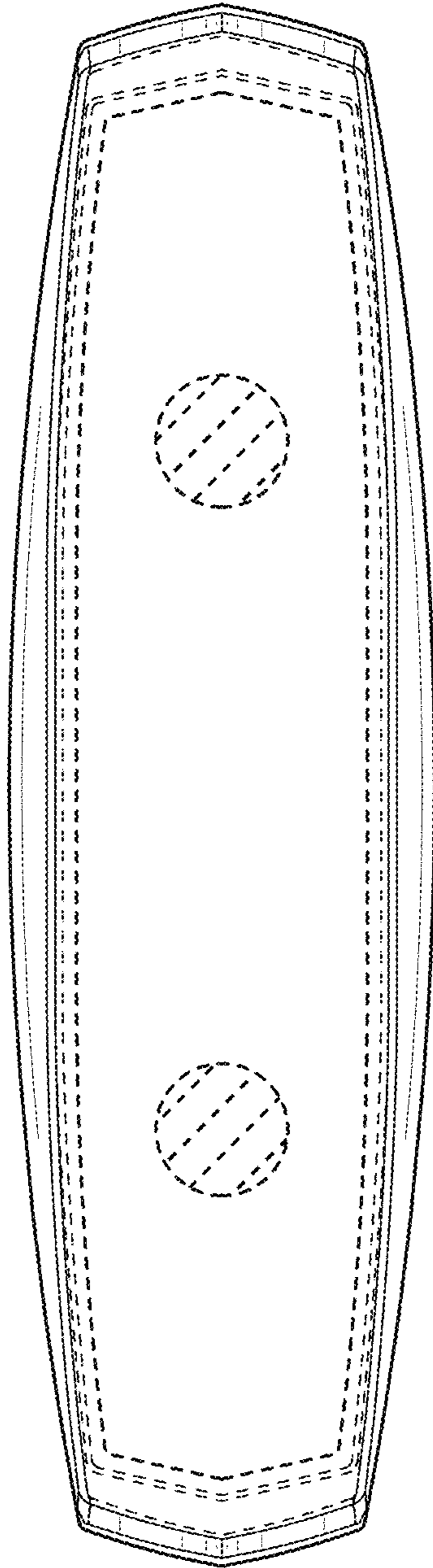


FIG. 5