



US00D813135S

(12) **United States Design Patent**
Baeza

(10) **Patent No.:** **US D813,135 S**
(45) **Date of Patent:** **** Mar. 20, 2018**

(54) **RUNNING BOARD**

(71) Applicant: **Hugo Baeza**, Whitehall, PA (US)

(72) Inventor: **Hugo Baeza**, Whitehall, PA (US)

(**) Term: **15 Years**

(21) Appl. No.: **29/587,121**

(22) Filed: **Dec. 9, 2016**

(51) **LOC (11) Cl.** **12-16**

(52) **U.S. Cl.**
USPC **D12/203**

(58) **Field of Classification Search**
USPC D12/203, 89, 98, 314, 162, 190, 196
CPC .. B60R 3/002; B60R 3/02; B60R 3/00; B60R
3/005; B60R 3/007

See application file for complete search history.

(56) **References Cited**

U.S. PATENT DOCUMENTS

D349,678 S *	8/1994	Waddington	D12/203
D351,128 S *	10/1994	Waddington	D12/203
D397,980 S *	9/1998	Thompson	D12/203
D434,711 S *	12/2000	McQuiston	D12/203
D496,898 S *	10/2004	Metros	D12/203
D513,725 S *	1/2006	Metros	D12/203
D514,492 S *	2/2006	Metros	D12/203
D568,221 S *	5/2008	Cord	D12/203
D588,514 S *	3/2009	Kudelko	D12/203
D596,097 S *	7/2009	Huang-Tsai	D12/203
D596,098 S *	7/2009	Huang-Tsai	D12/203
D632,627 S *	2/2011	Huang-Tsai	D12/203
D676,368 S *	2/2013	Cover	D12/203
D738,803 S *	9/2015	Zhu	D12/203

D739,801 S *	9/2015	Bundy	D12/203
D747,673 S *	1/2016	Wang	D12/203
2003/0006575 A1 *	1/2003	Genis	B60R 3/002 280/163

* cited by examiner

Primary Examiner — George D. Kirschbaum

Assistant Examiner — Clese Moore, Jr.

(74) *Attorney, Agent, or Firm* — Dunlap Bennett & Ludwig PLLC; Brendan E. Squire

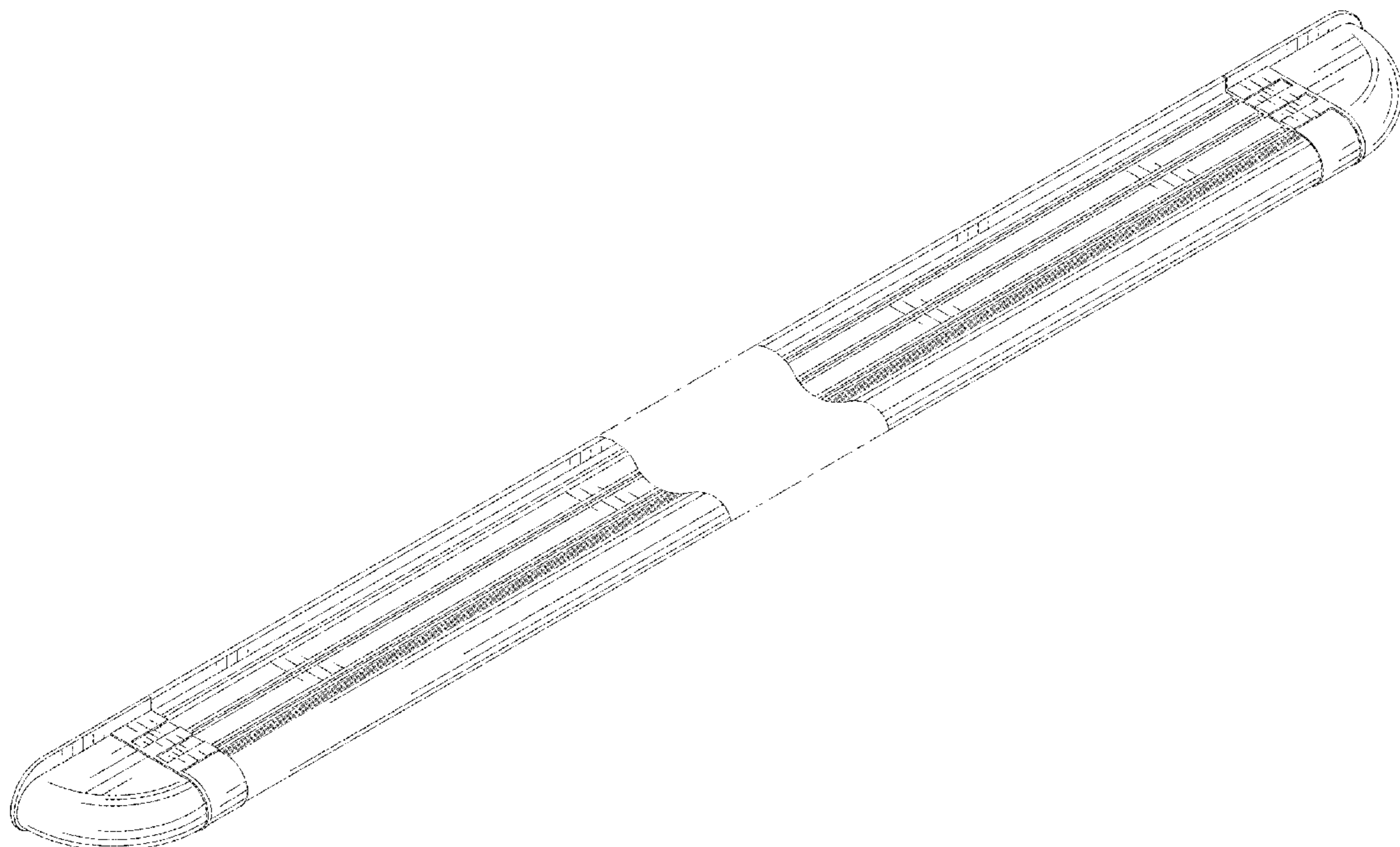
(57) **CLAIM**

The ornamental design for a running board, as shown and described.

DESCRIPTION

FIG. 1 is a top front perspective view of the running board showing my new design;
 FIG. 2 is a top plan view thereof;
 FIG. 3 is a bottom plan view thereof;
 FIG. 4 is a front elevation view thereof, with the rear elevation view being a mirror image thereof;
 FIG. 5 is a right elevation view thereof;
 FIG. 6 is a left elevation view thereof;
 FIG. 7 is a section view thereof, taken along line 7-7 in FIG. 5; and,
 FIG. 8 is a top front perspective view thereof, shown in use. The broken lines shown in the drawings illustrate portions of the running board that form no part of the claimed design. The running board is shown with a symbolic break in its length. The appearance of any portion of the article between the break lines forms no part of the claimed design. The broken lines in FIG. 8 showing the running board in use on a motor vehicle illustrates environment and forms no part of the claim.

1 Claim, 4 Drawing Sheets



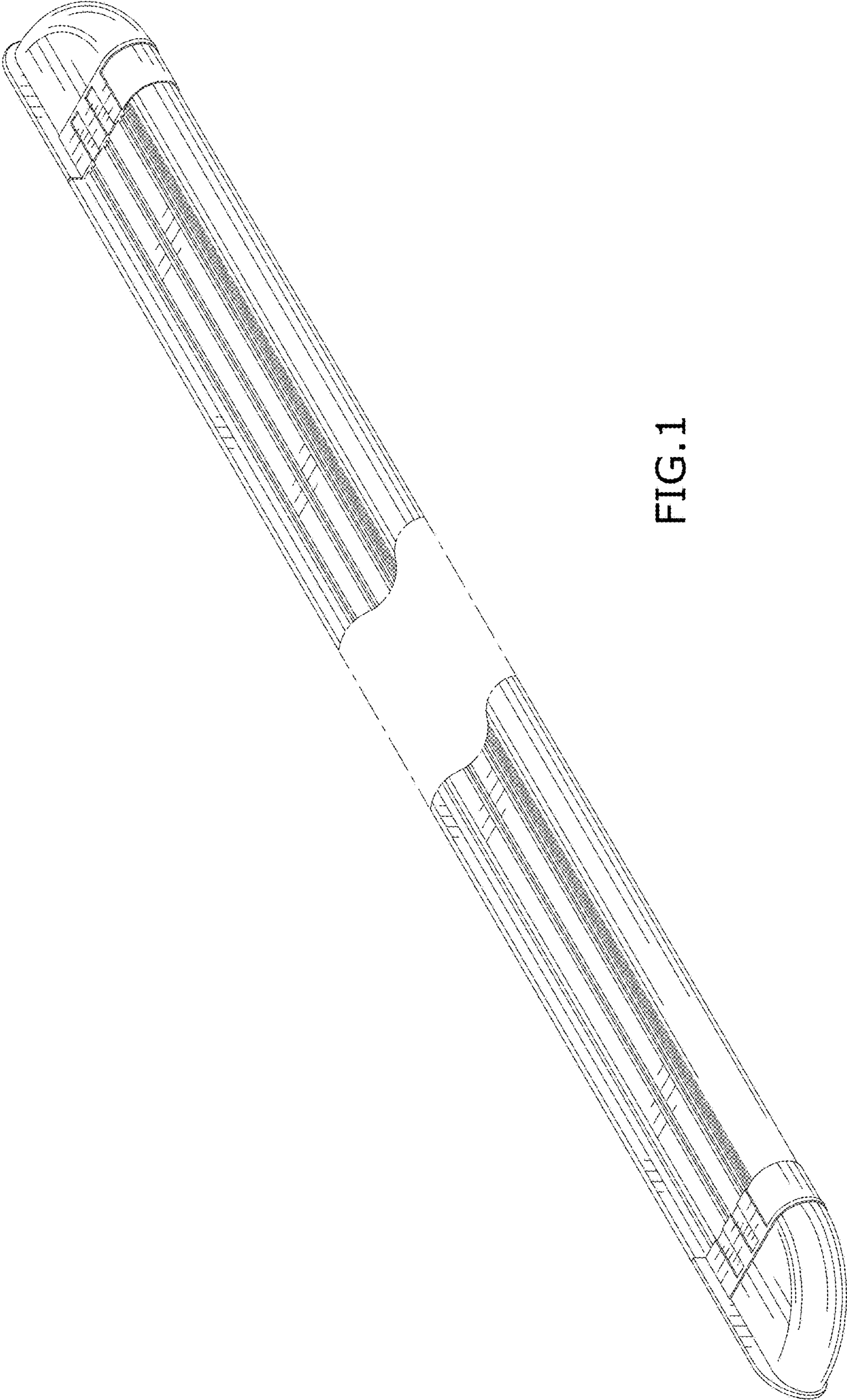


FIG.1



FIG. 2

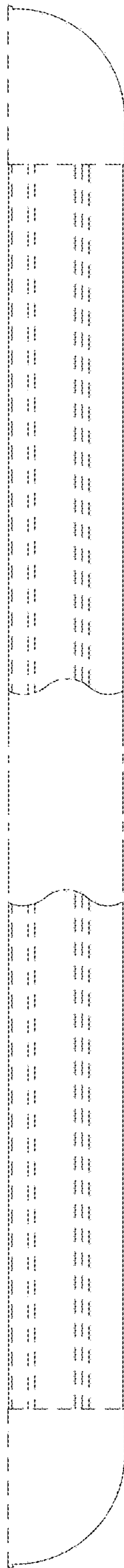


FIG. 3

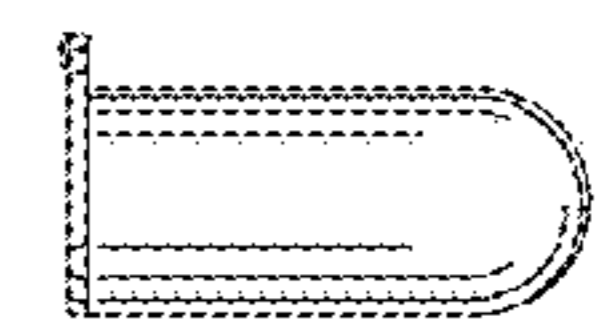
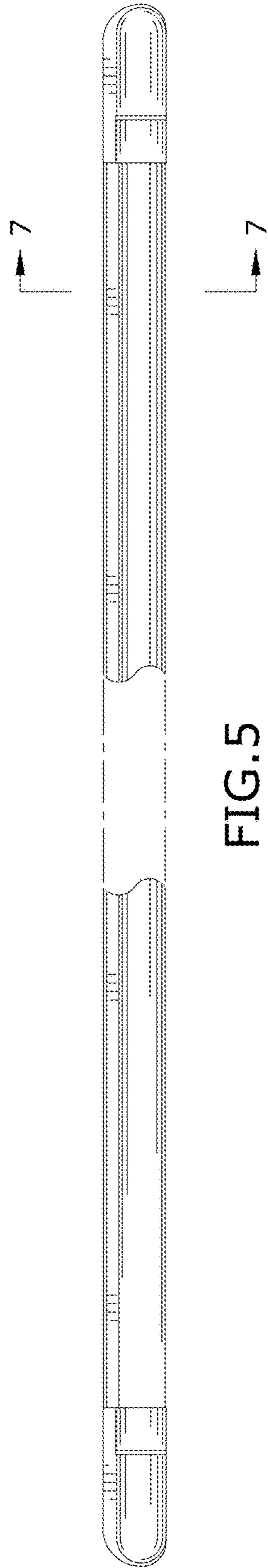


FIG. 4



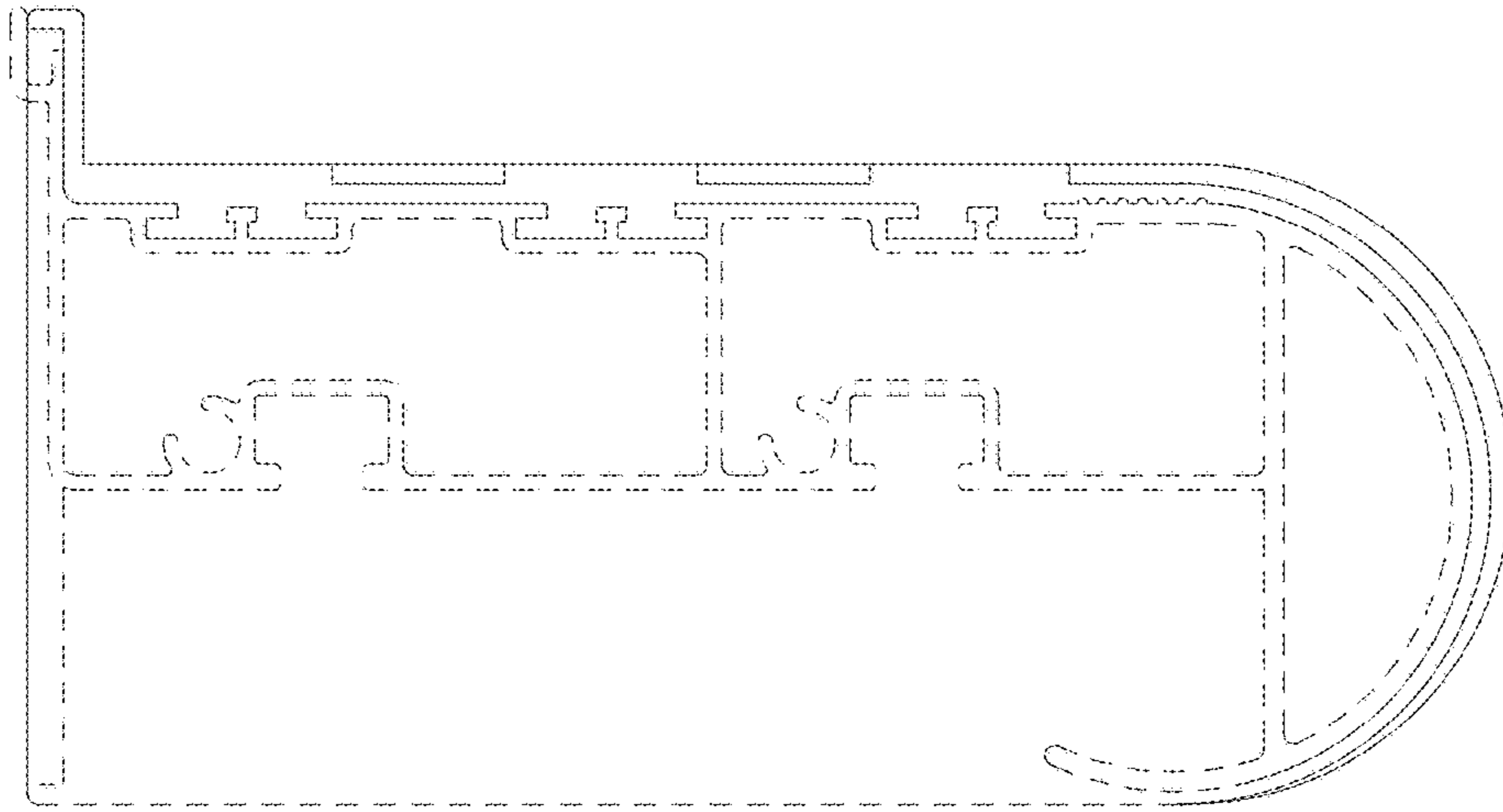


FIG. 7

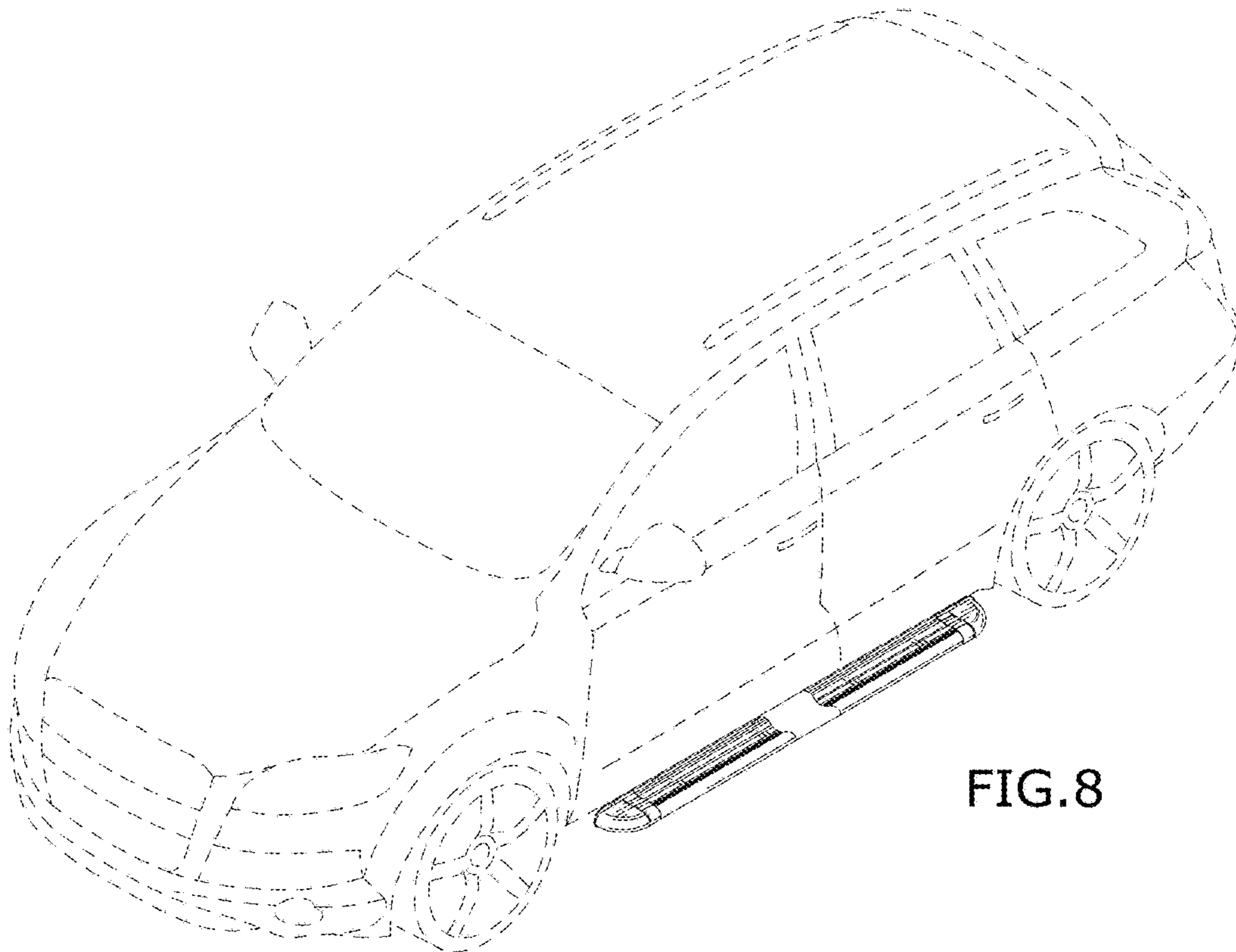


FIG. 8