



US00D813134S

(12) **United States Design Patent**
Ponticelli, Sr. et al.

(10) **Patent No.:** **US D813,134 S**
(45) **Date of Patent:** **** Mar. 20, 2018**

(54) **FUEL CAP LOCK**

(71) Applicant: **Container Security Solutions**, Romeo, MI (US)

(72) Inventors: **Robert Ponticelli, Sr.**, Thousand Oaks, CA (US); **Robert Ponticelli, Jr.**, Oxnard, CA (US)

(73) Assignee: **CONTAINER SECURITY SOLUTIONS, LLC**, Romeo, MI (US)

(**) Term: **15 Years**

(21) Appl. No.: **29/595,013**

(22) Filed: **Feb. 24, 2017**

(51) **LOC (11) Cl.** **12-16**

(52) **U.S. Cl.**
USPC **D12/197**

(58) **Field of Classification Search**
USPC D12/197, 198-201, 110, 114, 218;
D7/398; D9/435, 451-454, 443-444;
D8/310-312; D23/260; D15/150
(Continued)

(56) **References Cited**

U.S. PATENT DOCUMENTS

1,599,685 A 9/1926 Spaeth
1,794,386 A 3/1931 Miller
(Continued)

Primary Examiner — Katrina A Betton

(74) *Attorney, Agent, or Firm* — Lorenz & Kopf, LLP

(57) **CLAIM**

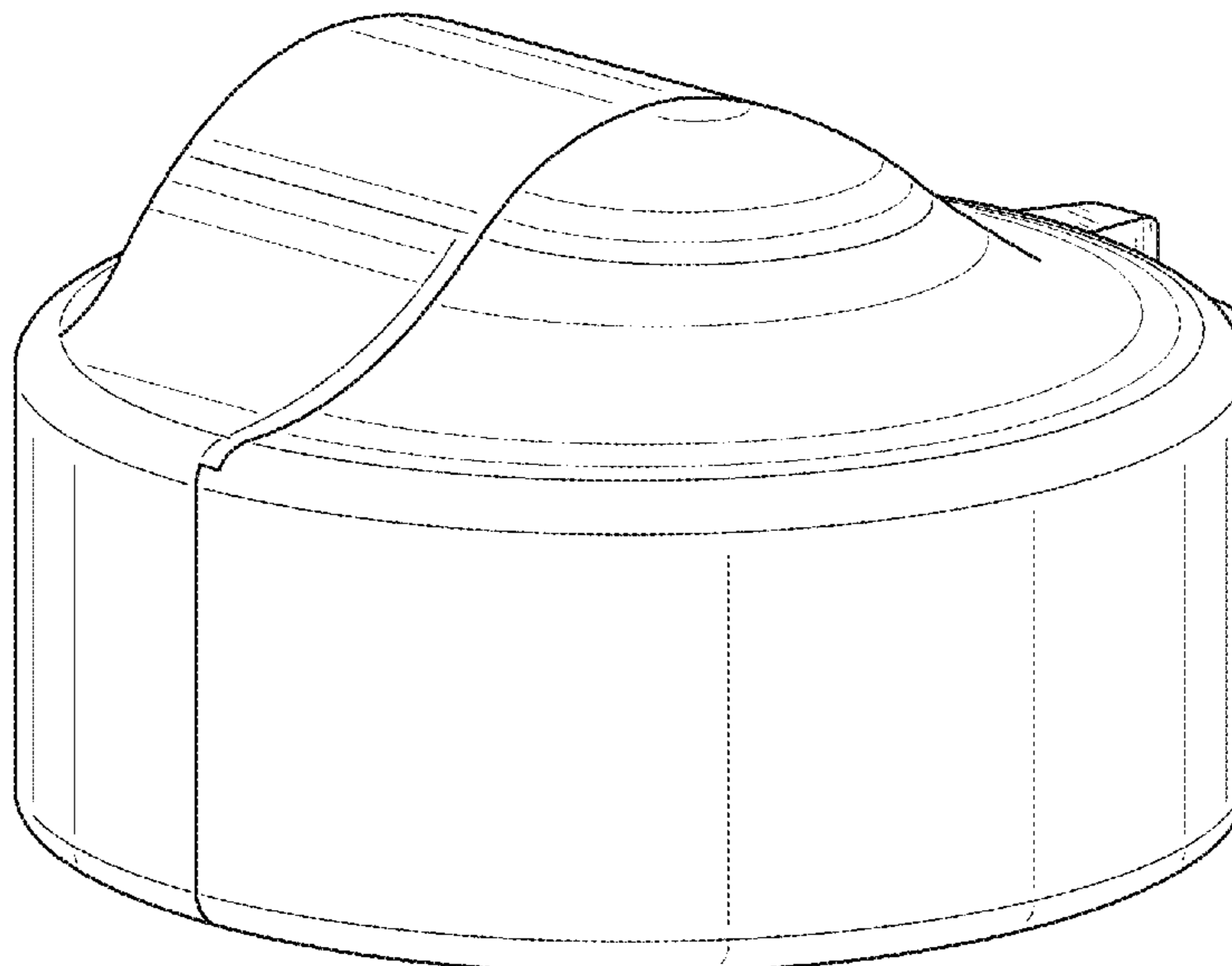
The ornamental design for a fuel cap lock, as shown and described.

DESCRIPTION

FIG. 1 is a perspective view of a fuel cap lock according to a first embodiment;

FIG. 2 is a left side view of the fuel cap shown in FIG. 1; FIG. 3 is a right side view of the fuel cap shown in FIG. 1; FIG. 4 is a front elevation view of the fuel cap shown in FIG. 1; FIG. 5 is a rear elevation view of the fuel cap shown in FIG. 1; FIG. 6 is a top plan view of the fuel cap shown in FIG. 1; FIG. 7 is a bottom plan view of the fuel cap shown in FIG. 1; FIG. 8 is a perspective view of a fuel cap lock according to a second embodiment; FIG. 9 is a left side view of the fuel cap shown in FIG. 8; FIG. 10 is a right side view of the fuel cap shown in FIG. 8; FIG. 11 is a front elevation view of the fuel cap shown in FIG. 8; FIG. 12 is a rear elevation view of the fuel cap shown in FIG. 8; FIG. 13 is a top plan view of the fuel cap shown in FIG. 8; FIG. 14 is a bottom plan view of the fuel cap shown in FIG. 8; FIG. 15 is a perspective view of a fuel cap lock according to a third embodiment; FIG. 16 is a left side view of the fuel cap shown in FIG. 15; FIG. 17 is a right side view of the fuel cap shown in FIG. 15; FIG. 18 is a front elevation view of the fuel cap shown in FIG. 15; FIG. 19 is a rear elevation view of the fuel cap shown in FIG. 15; FIG. 20 is a top plan view of the fuel cap shown in FIG. 15; and, FIG. 21 is a bottom plan view of the fuel cap shown in FIG. 15.
The broken line showing is for illustrative purposes only and forms no part of the claimed design.

1 Claim, 21 Drawing Sheets



(58) **Field of Classification Search**
CPC B63B 3/66; B60H 1/34
See application file for complete search history.

(56) **References Cited**

U.S. PATENT DOCUMENTS

1,806,124 A 5/1931 Smith
1,814,343 A 7/1931 Smith
1,825,726 A 10/1931 Gredell
1,995,997 A 3/1935 Morris
4,254,888 A 3/1981 Chandler
4,426,863 A 1/1984 Gillette et al.
4,592,218 A 6/1986 Chechovsky et al.
4,788,840 A 12/1988 Wilson, Jr.
4,959,980 A 10/1990 Phillips
5,033,280 A 7/1991 Johnson
5,199,286 A 4/1993 Jakubas
5,596,892 A 1/1997 Edgar et al.
6,176,111 B1 1/2001 Lewis

D477,554 S * 7/2003 Kefer D12/197
D488,397 S * 4/2004 Morelock D10/68
6,745,437 B2 6/2004 Gremillion, III
D544,424 S * 6/2007 Bauer D12/197
D585,348 S * 1/2009 Yan D12/197
D594,395 S * 6/2009 Yoshii D12/197
D617,459 S * 6/2010 Bogue D12/197
D649,099 S * 11/2011 Nakamura D12/197
D687,755 S * 8/2013 Griffin D12/197
D731,873 S 6/2015 Harder
D756,280 S * 5/2016 Davito D12/197
D773,972 S * 12/2016 Cloete D12/197
2009/0158791 A1 6/2009 Hudman et al.
2009/0206050 A1 8/2009 Perry et al.
2010/0050711 A1 3/2010 Davis
2011/0048083 A1 3/2011 Adolph
2012/0047973 A1 3/2012 Su et al.
2012/0298661 A1 11/2012 Summers
2013/0199252 A1 8/2013 Harder

* cited by examiner

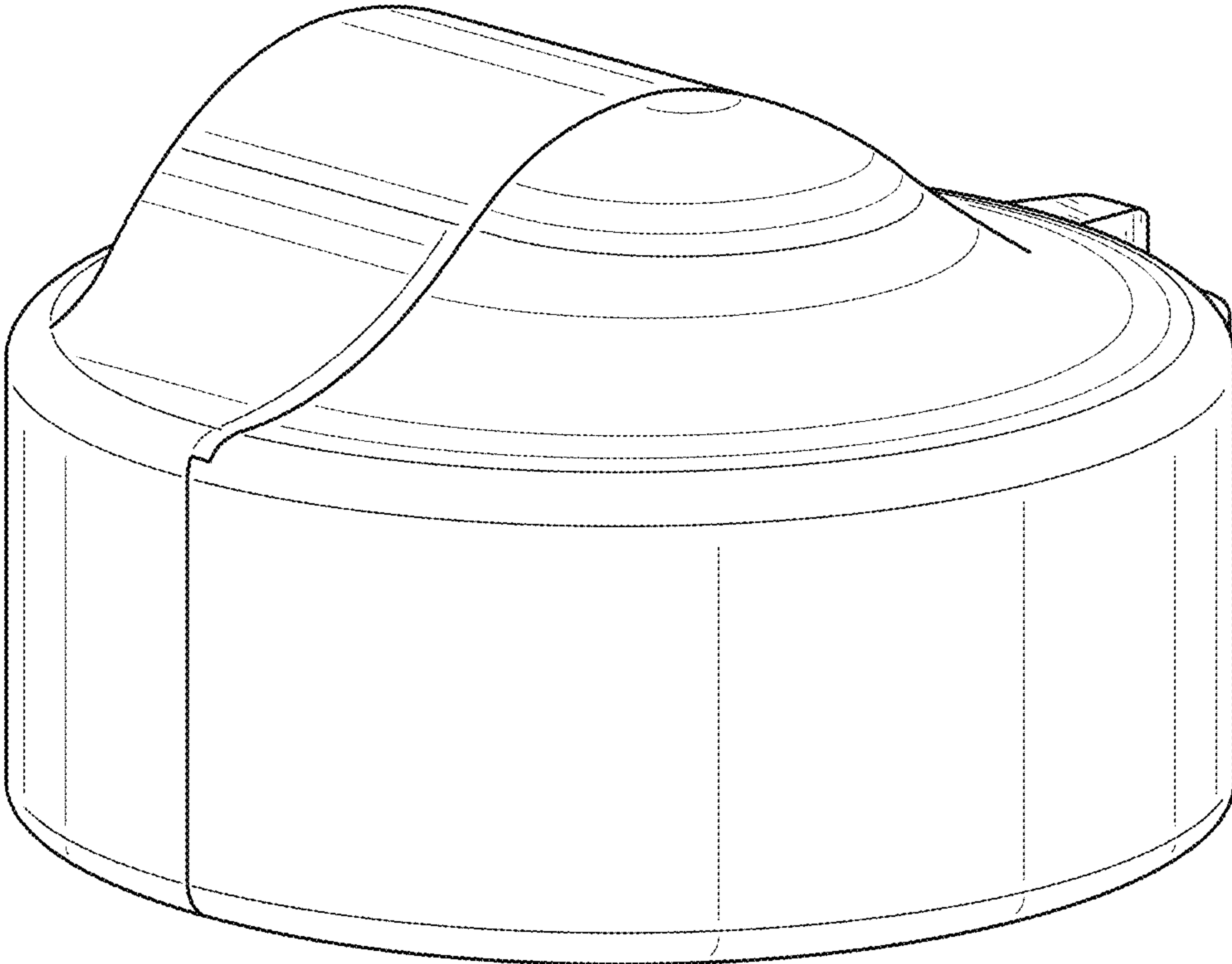


FIG. 1

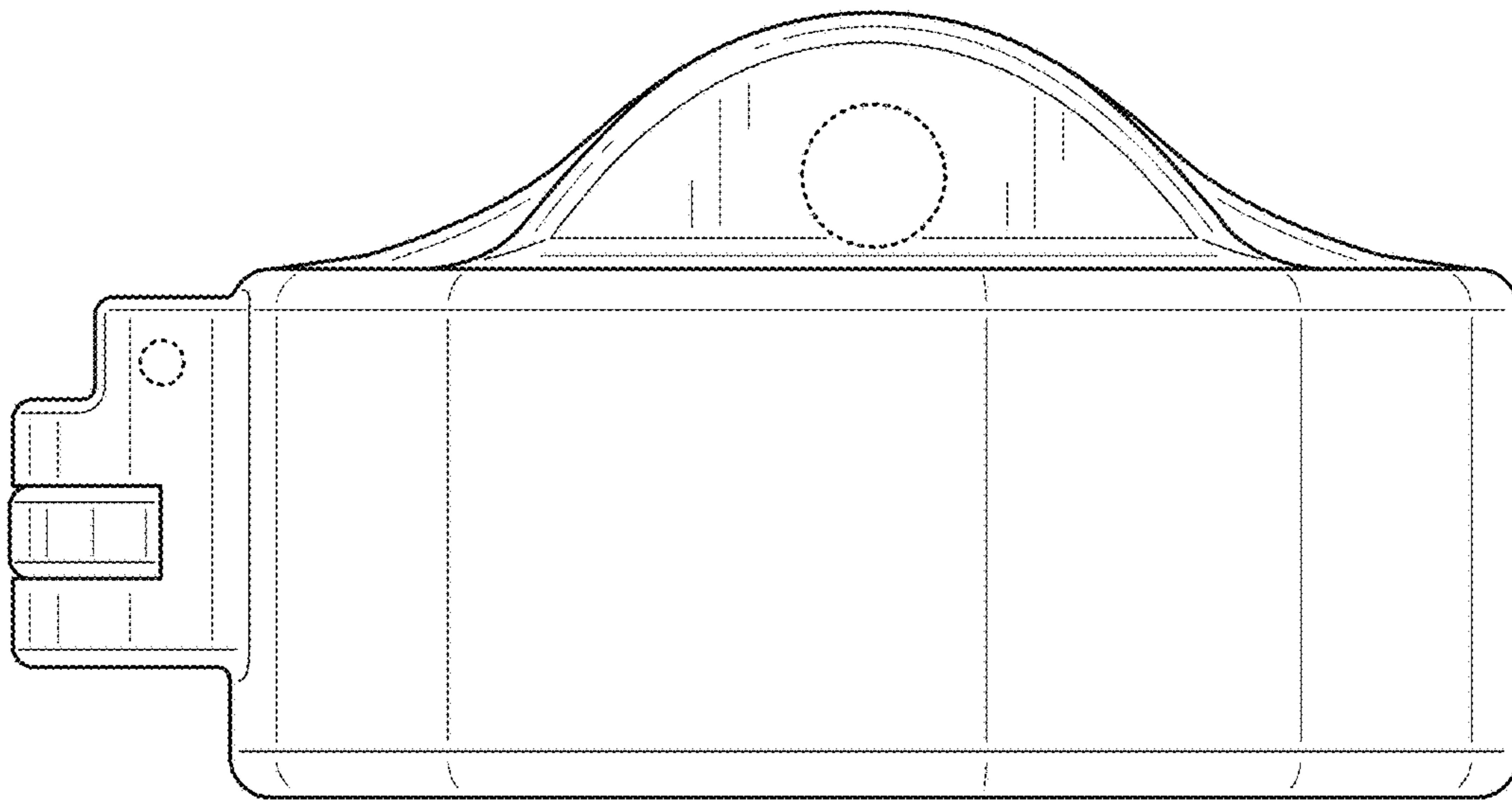


FIG. 2

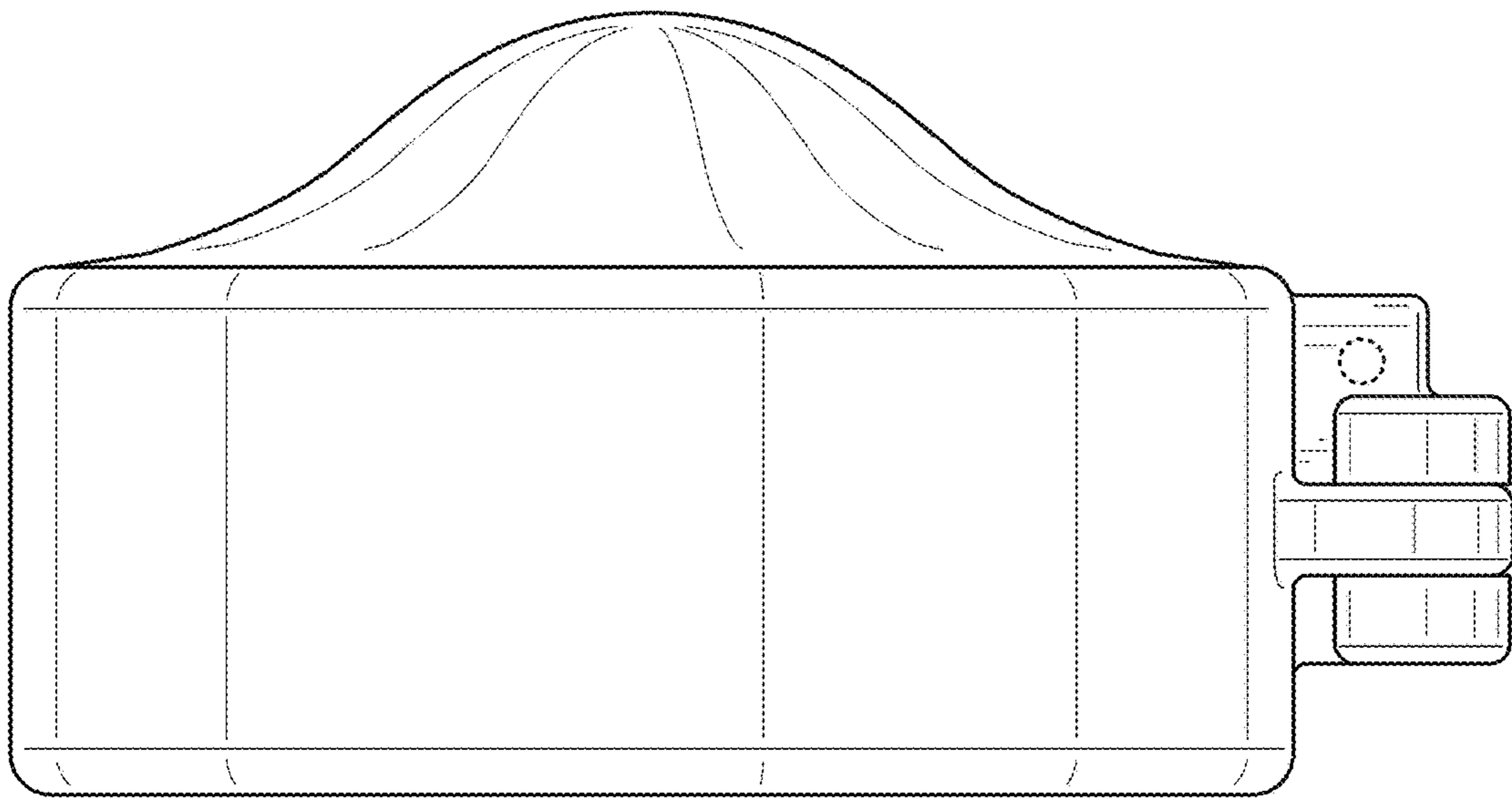


FIG. 3

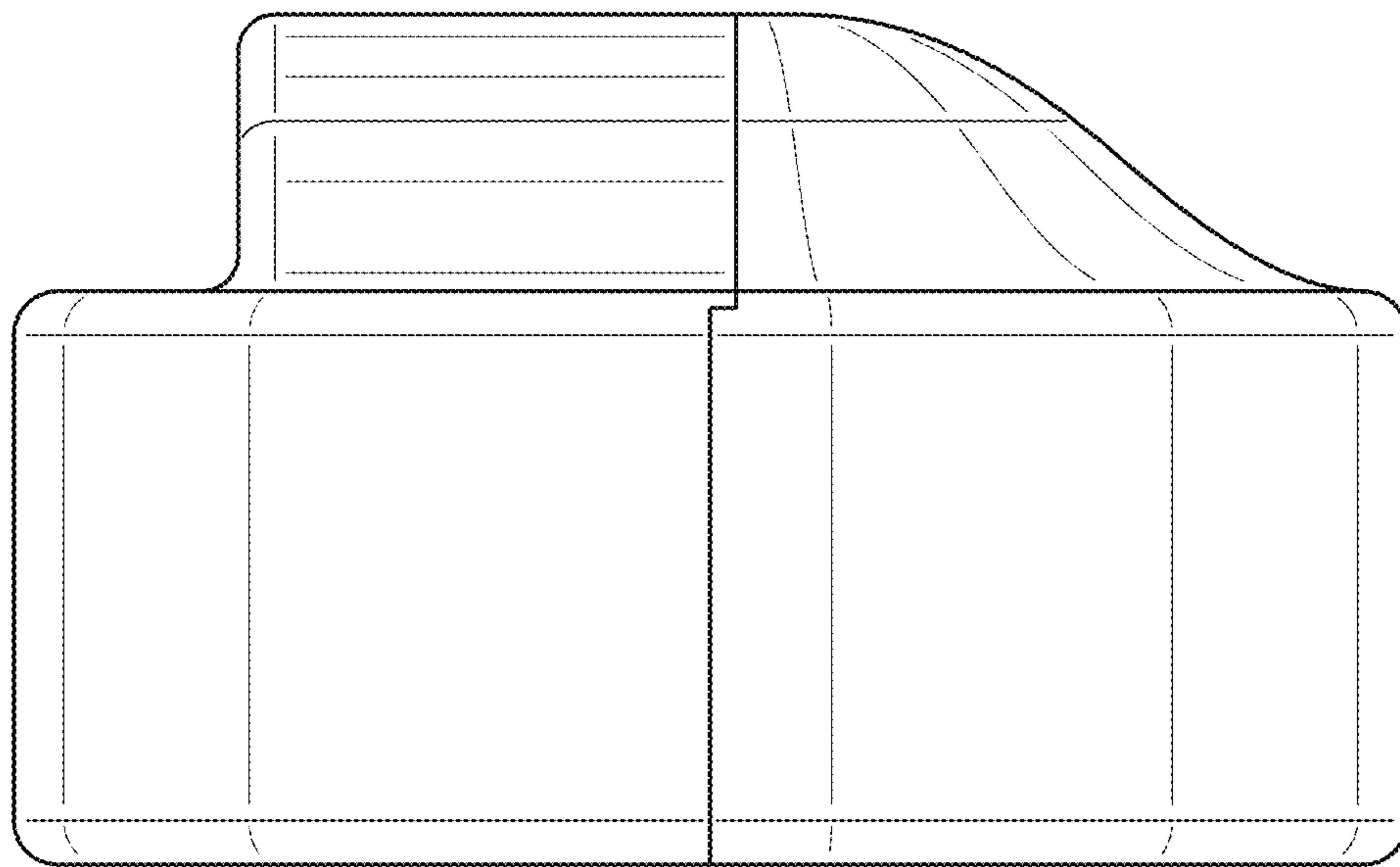


FIG. 4

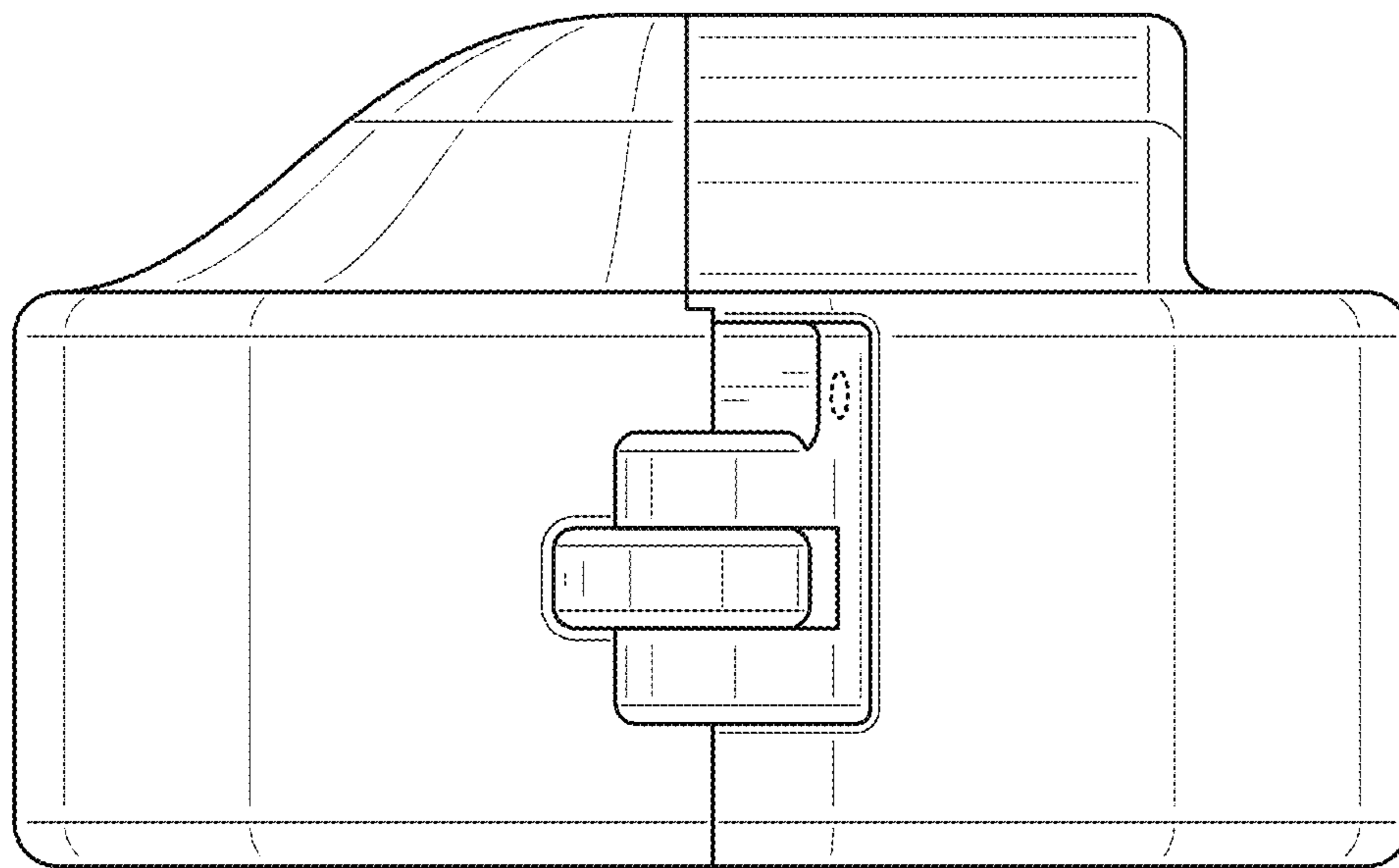


FIG. 5

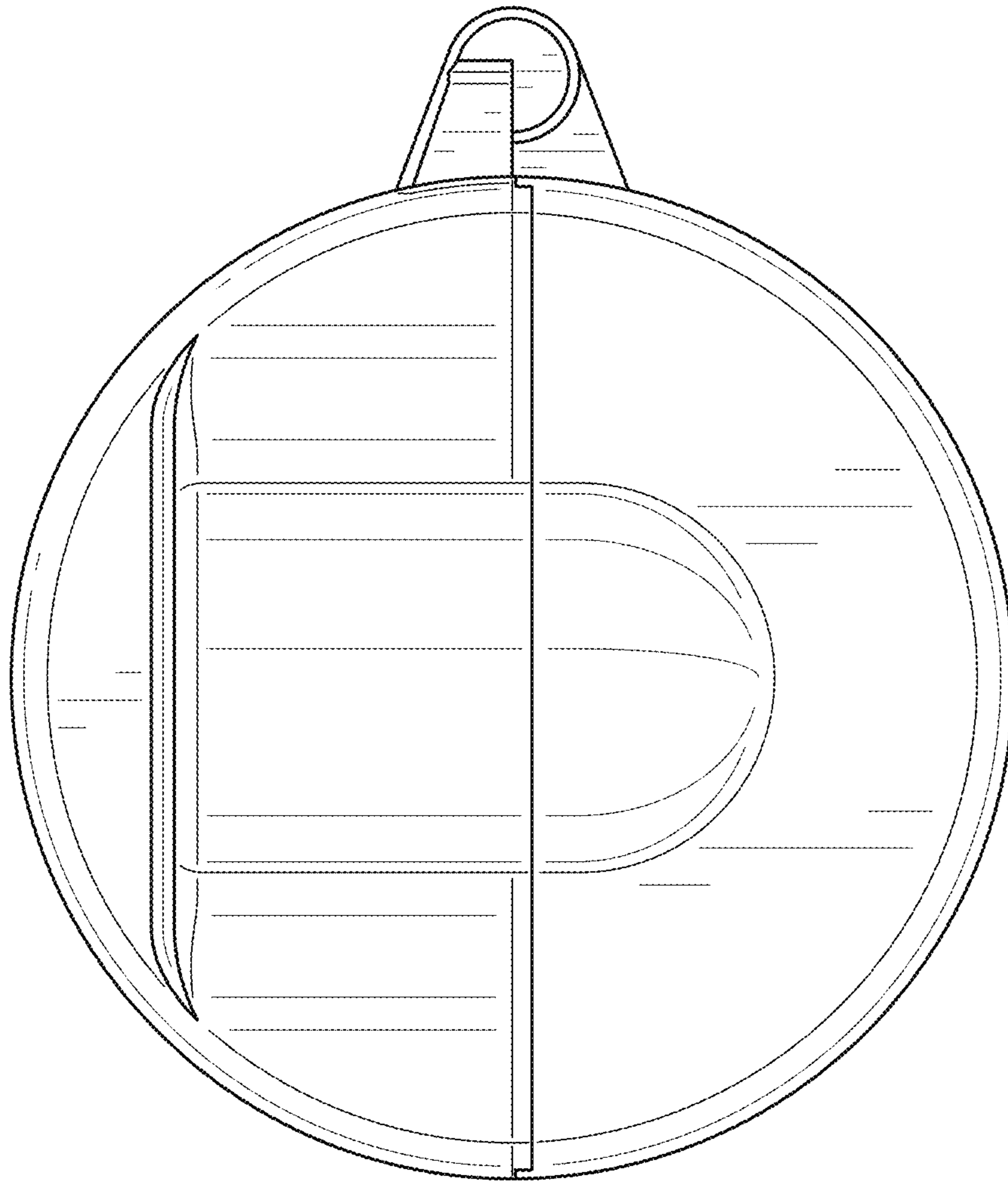


FIG. 6

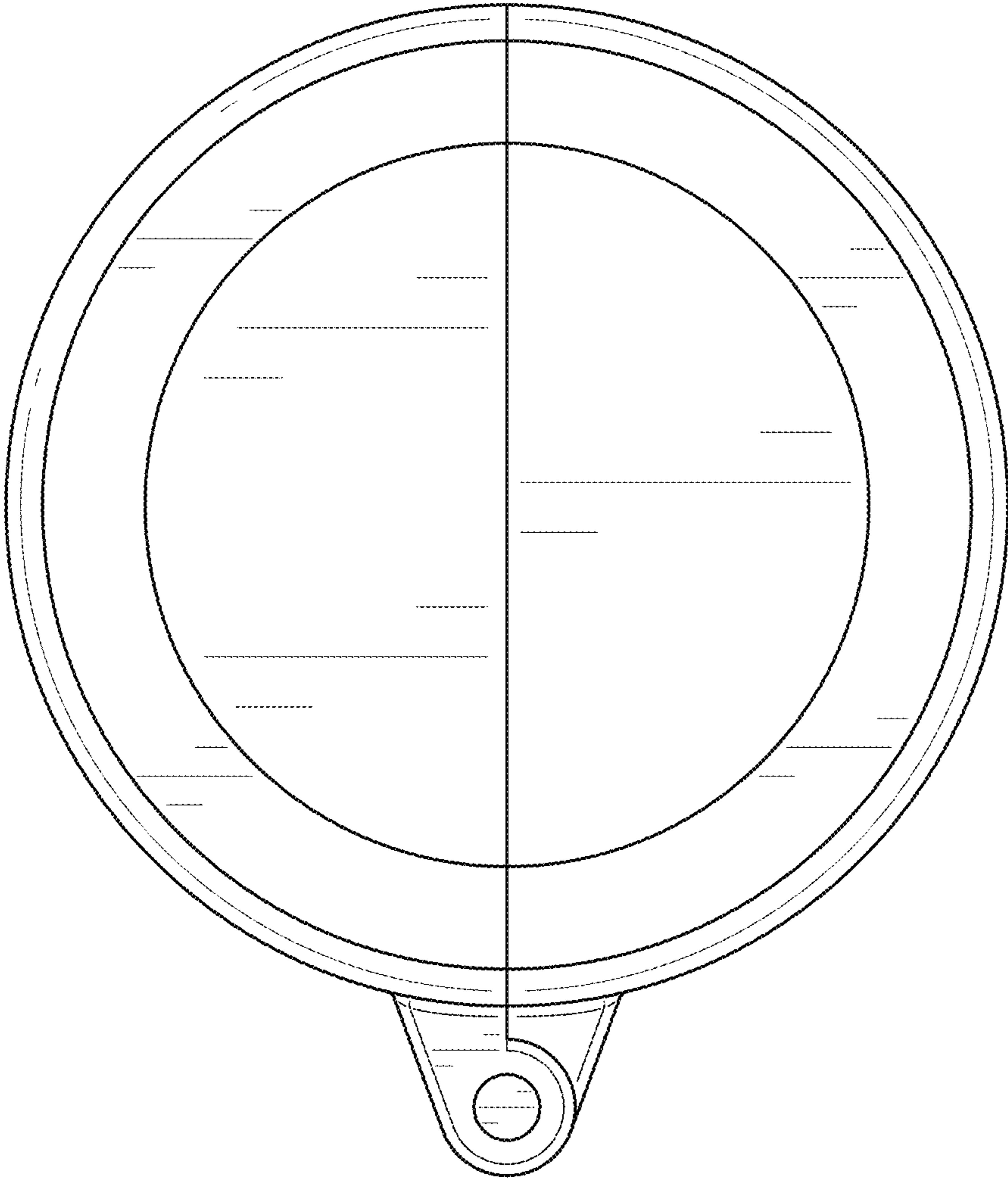


FIG. 7

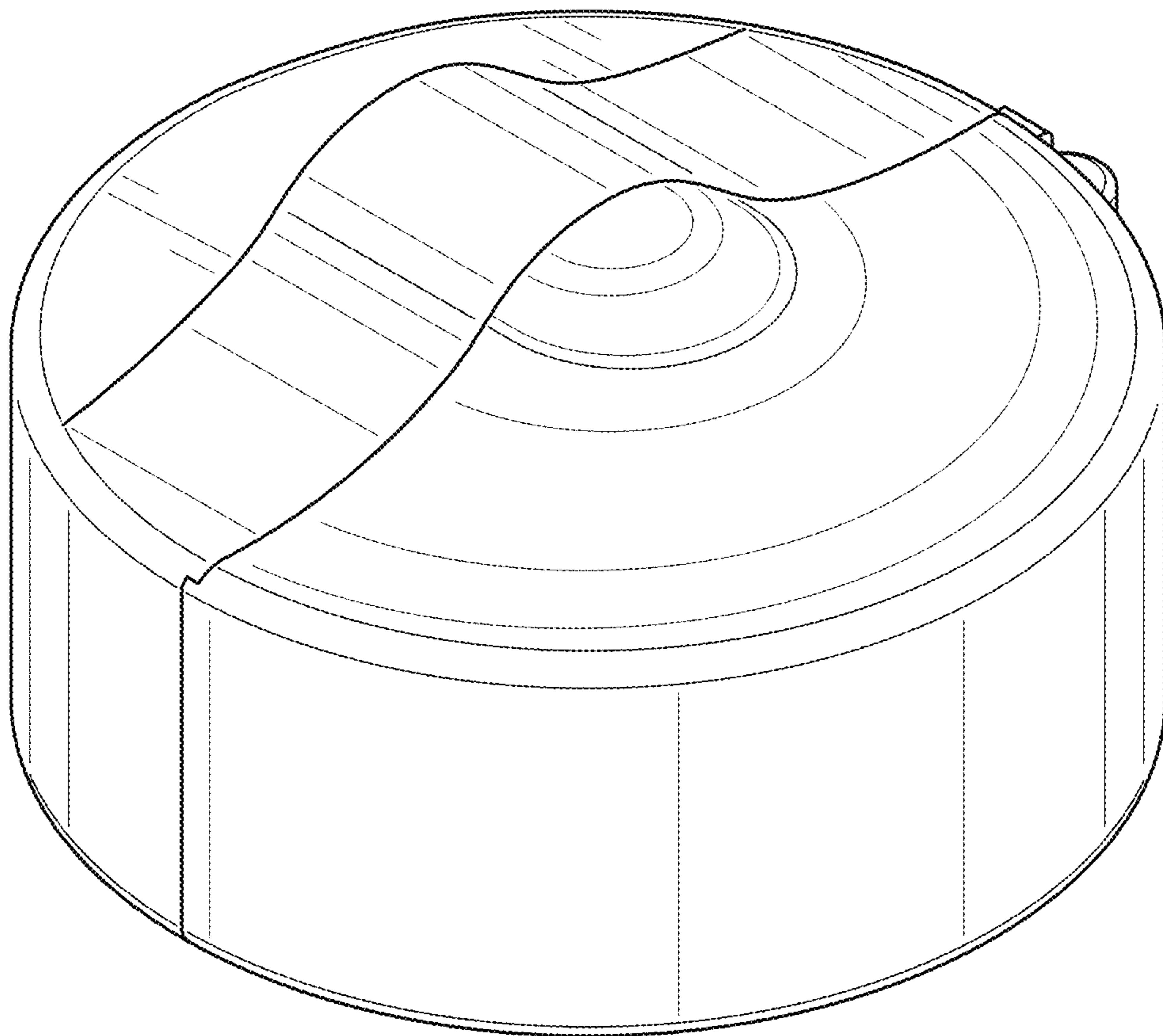


FIG. 8

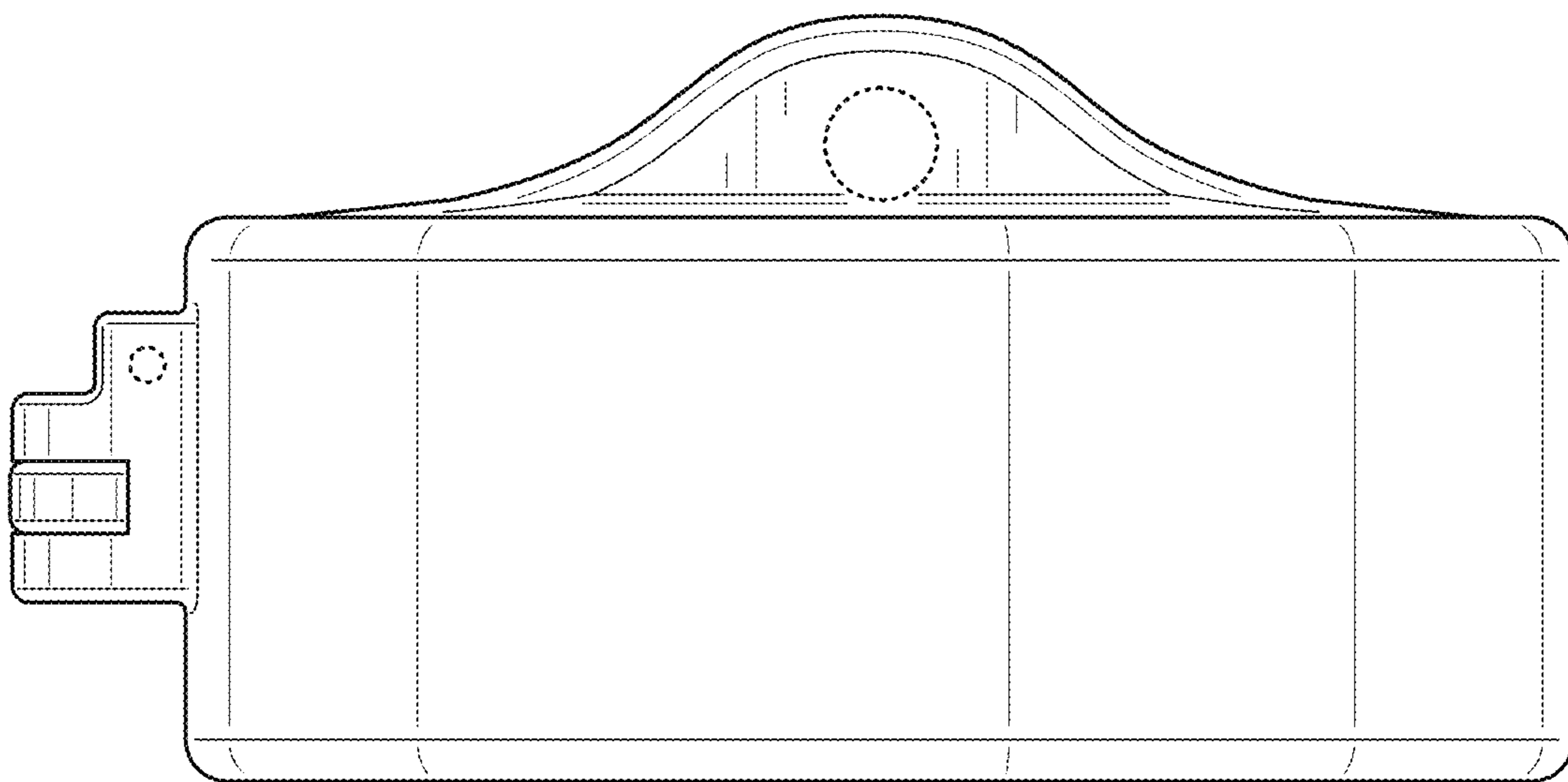


FIG. 9

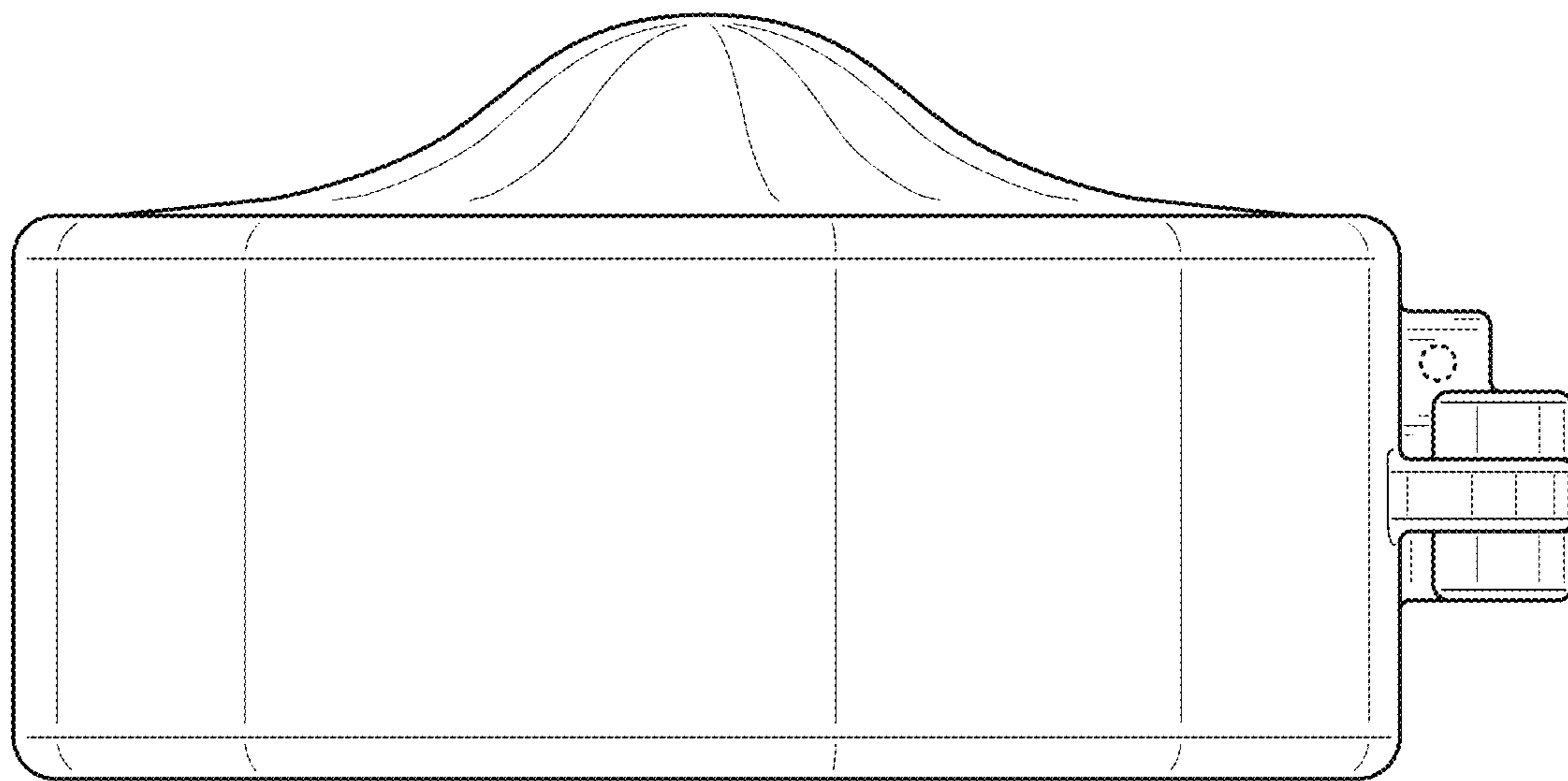


FIG. 10

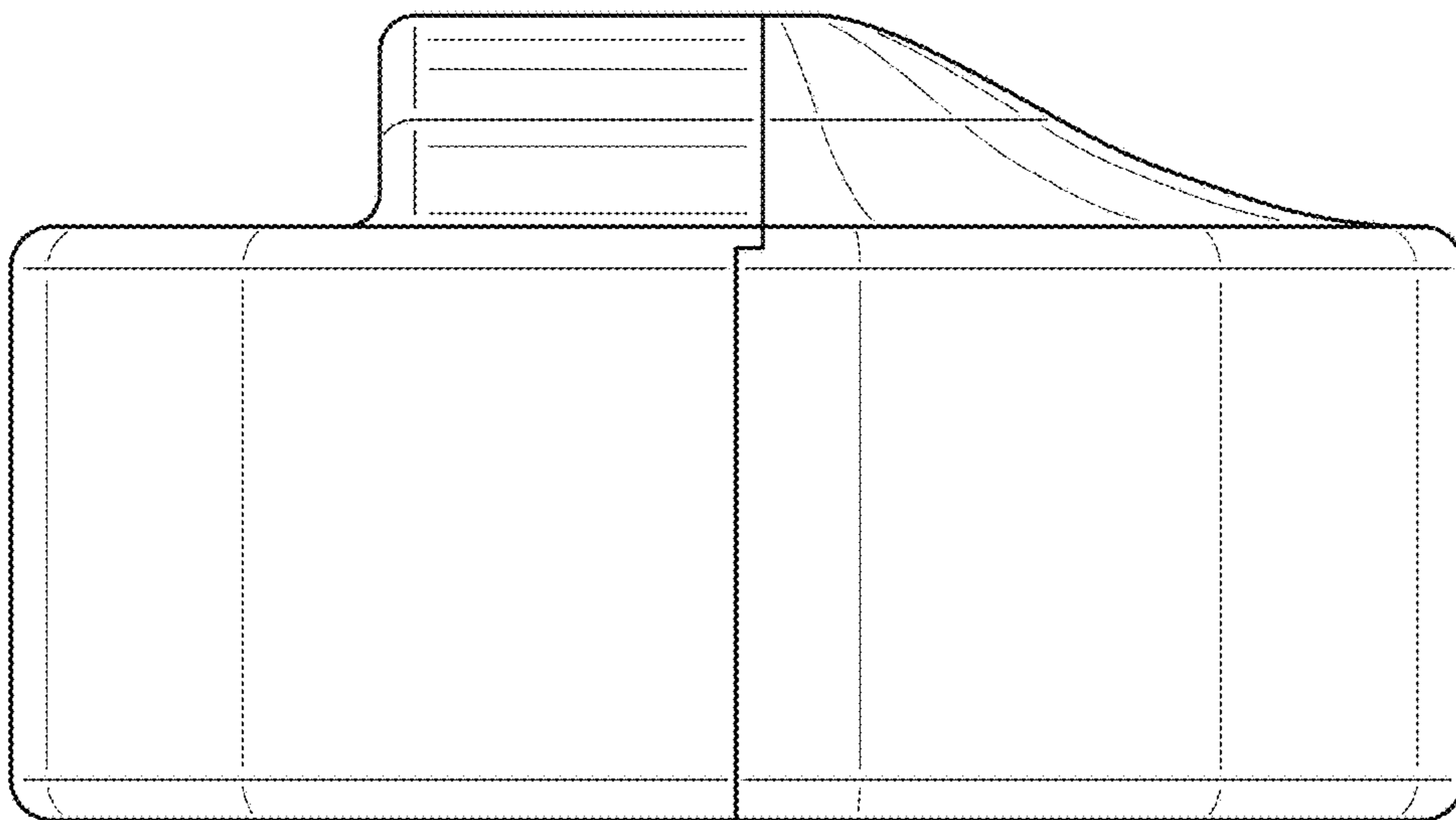


FIG. 11

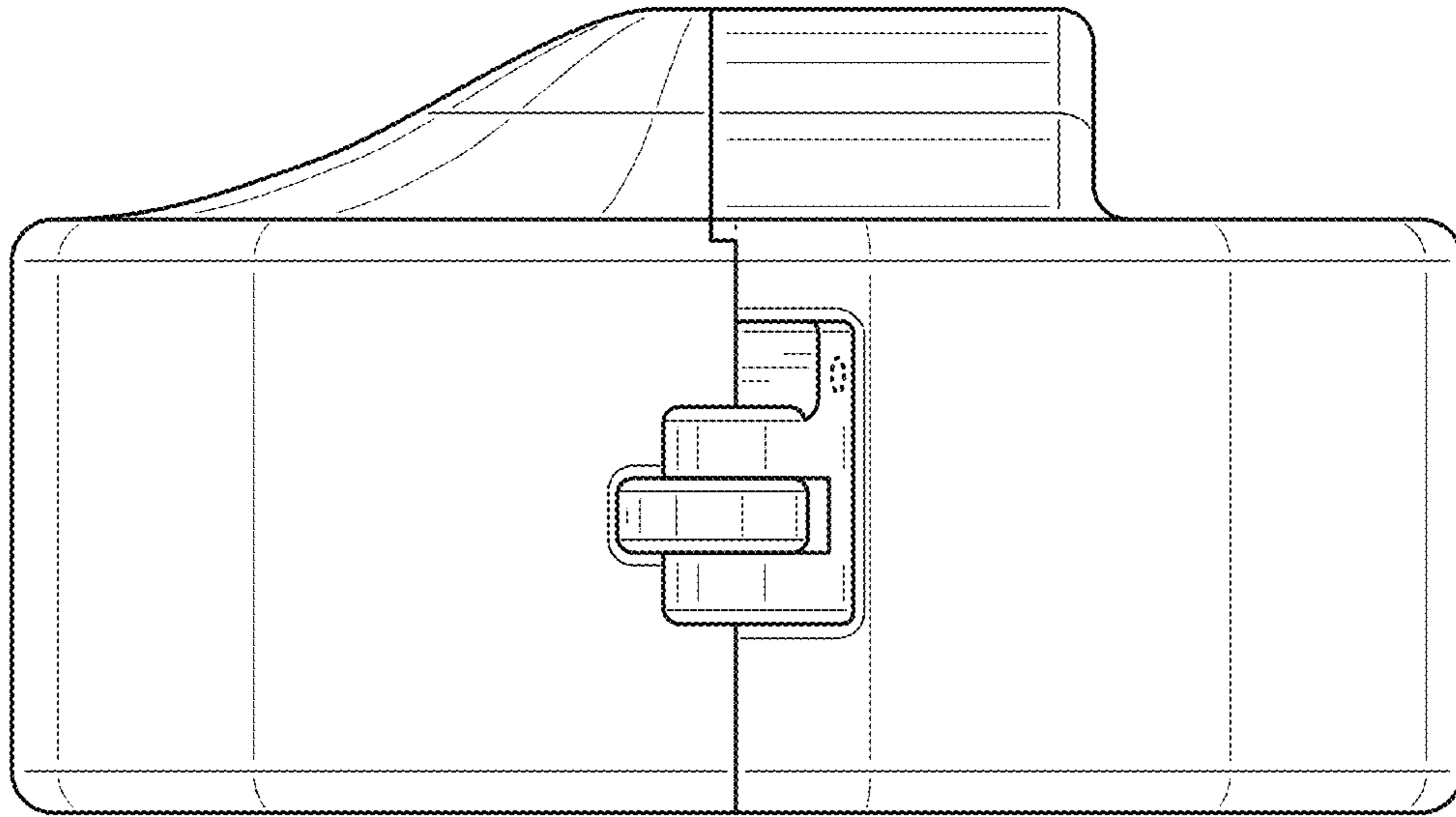


FIG. 12

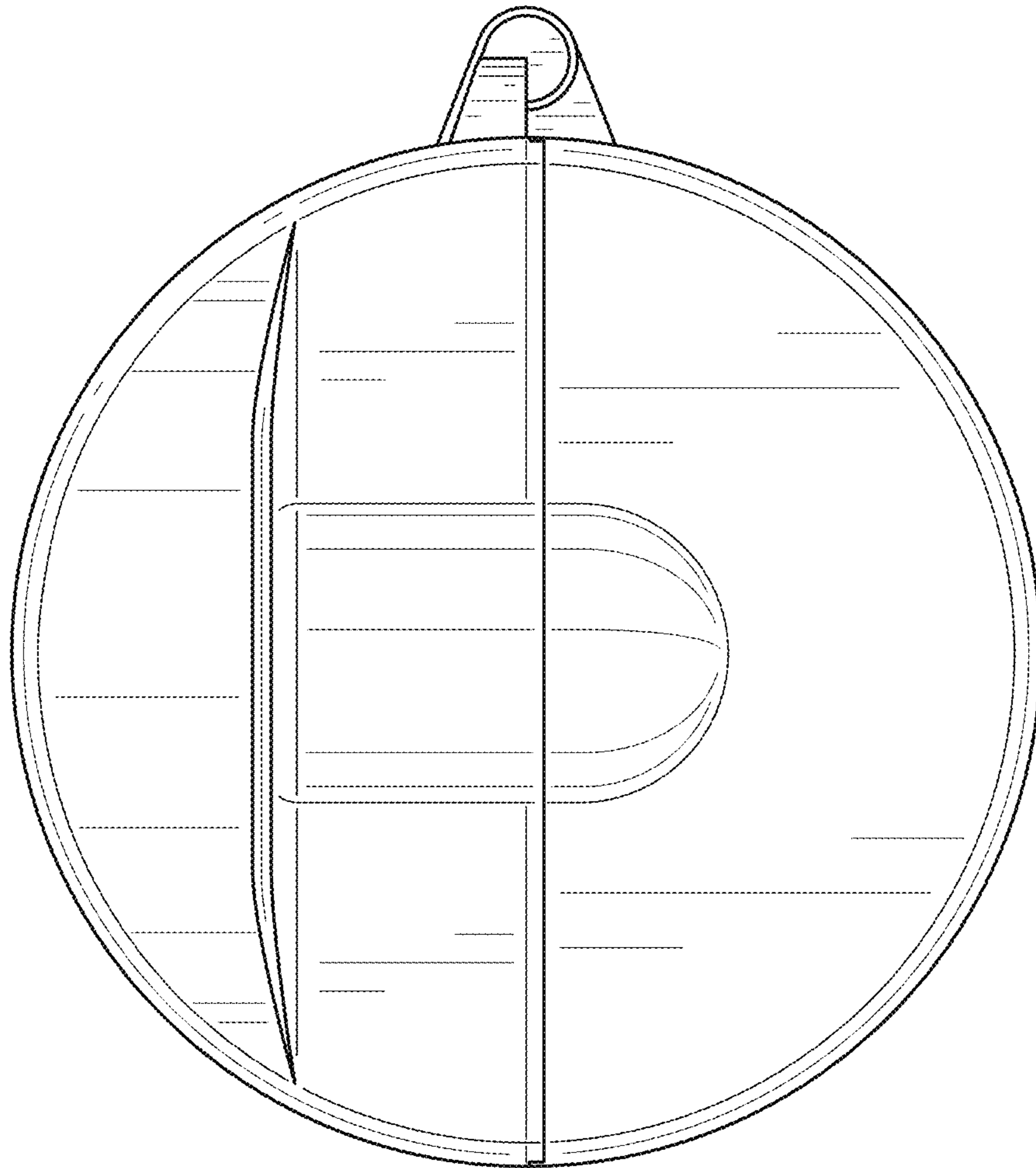


FIG. 13

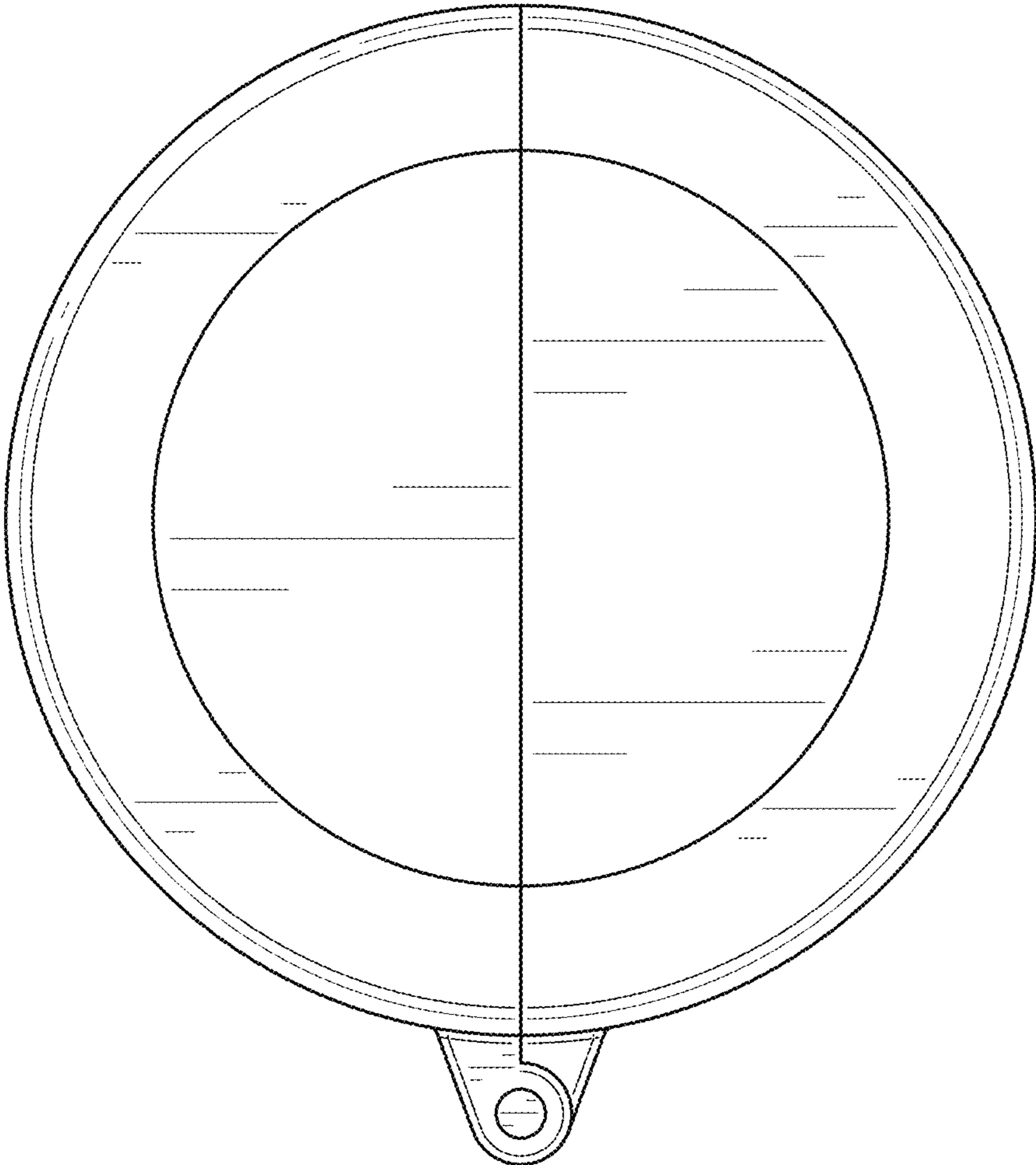


FIG. 14

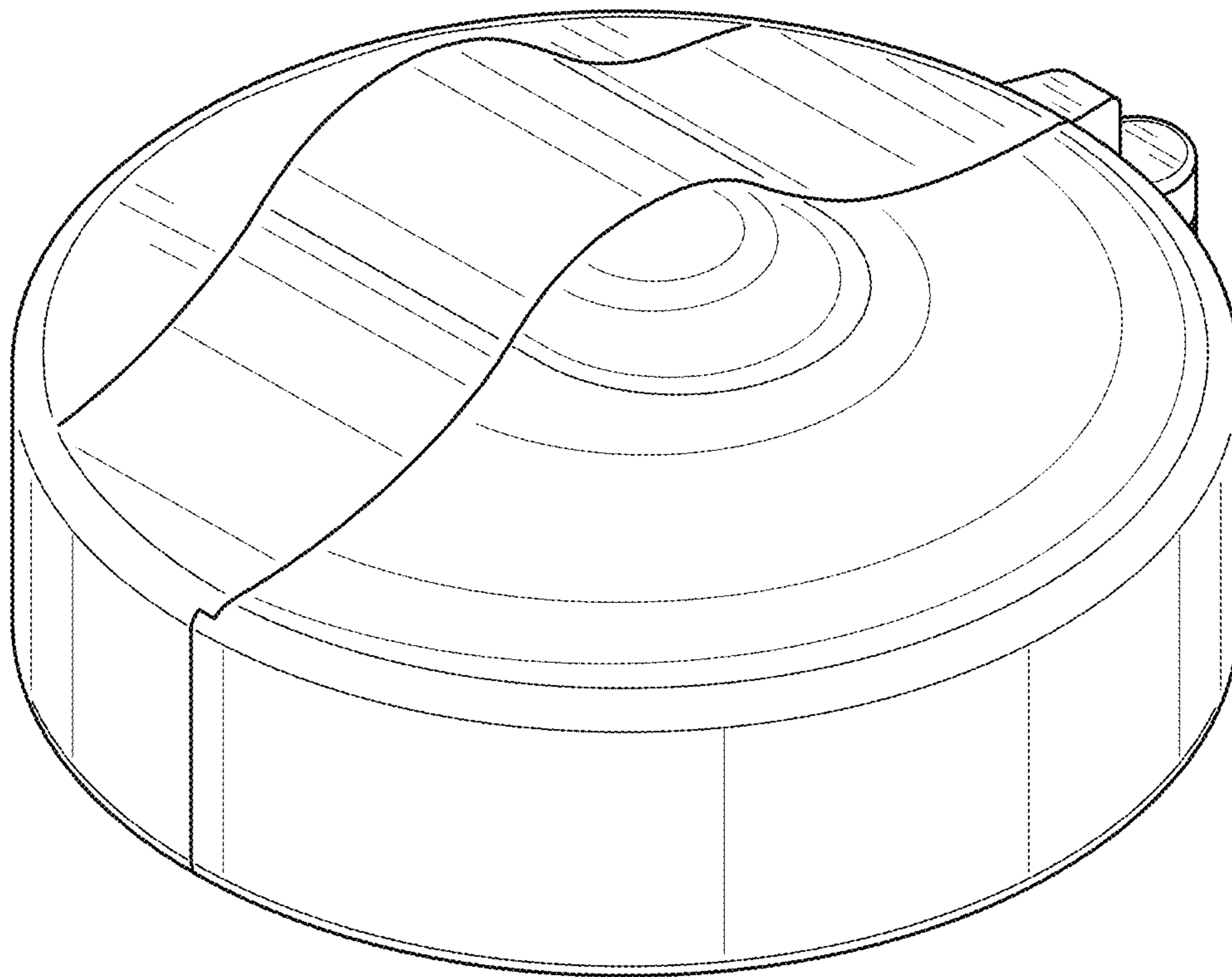


FIG. 15

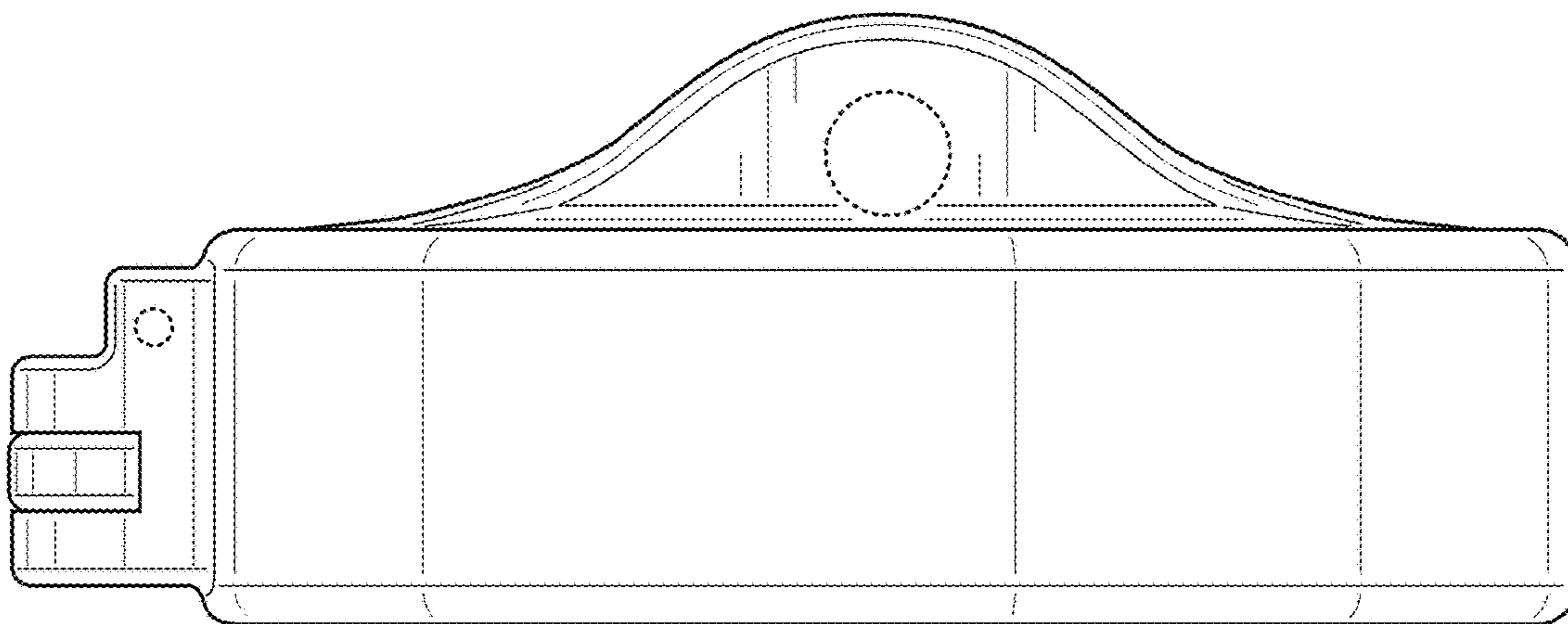


FIG. 16

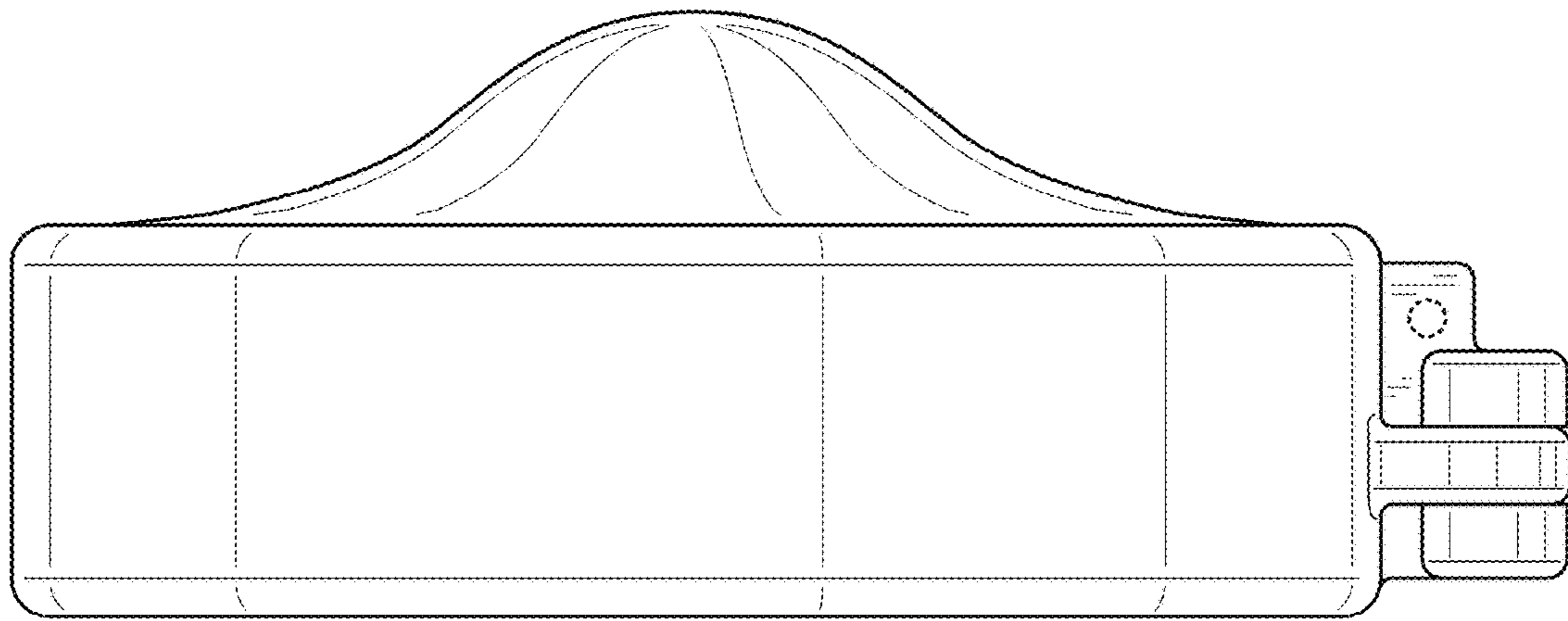


FIG. 17

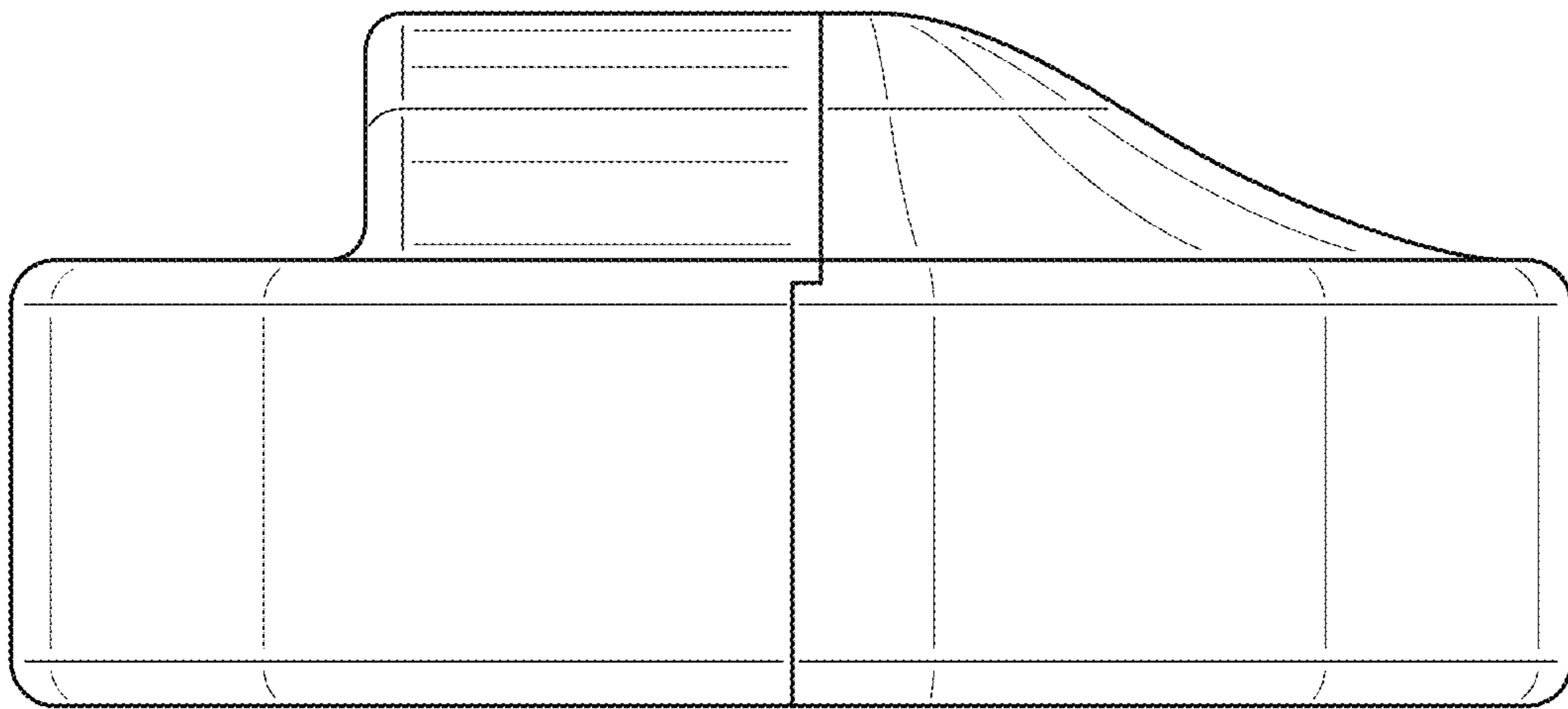


FIG. 18

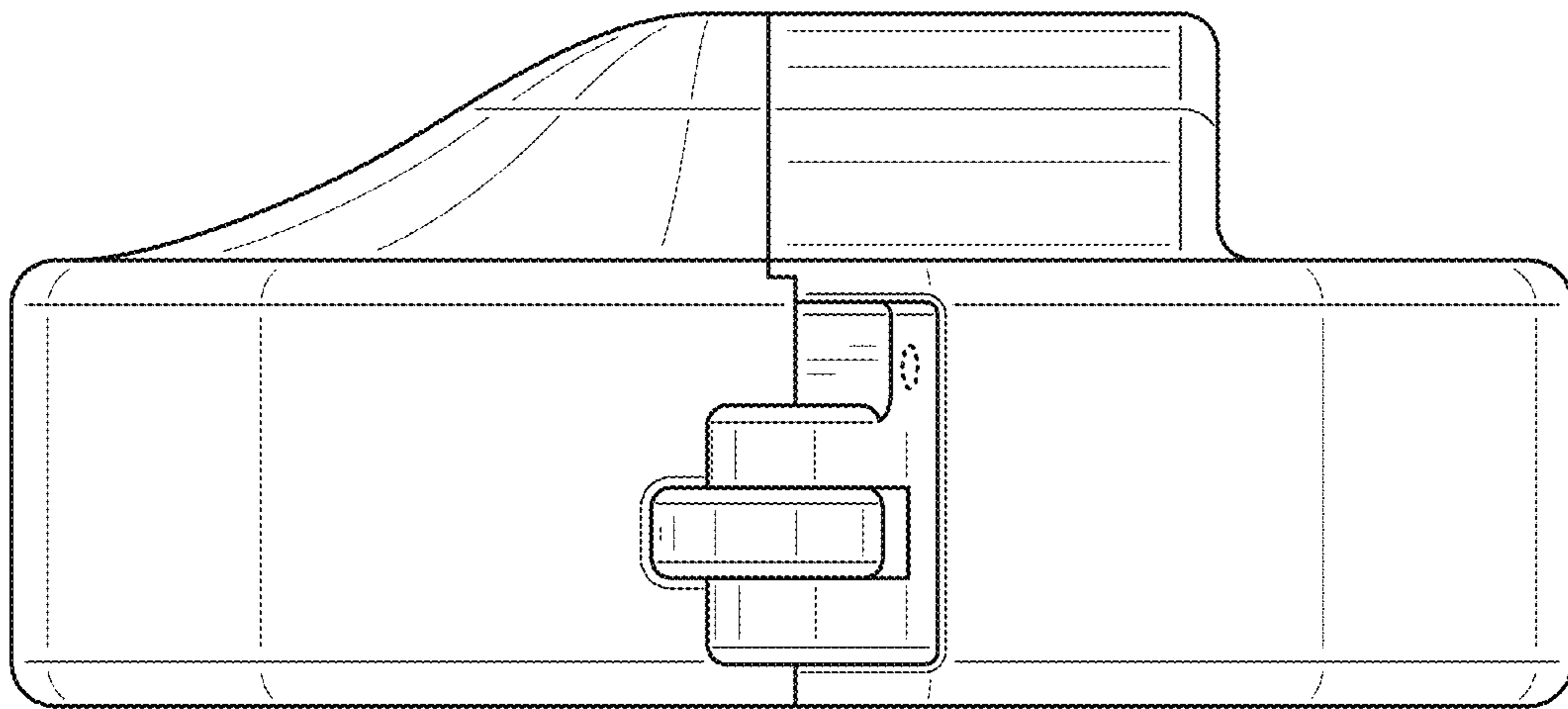


FIG. 19

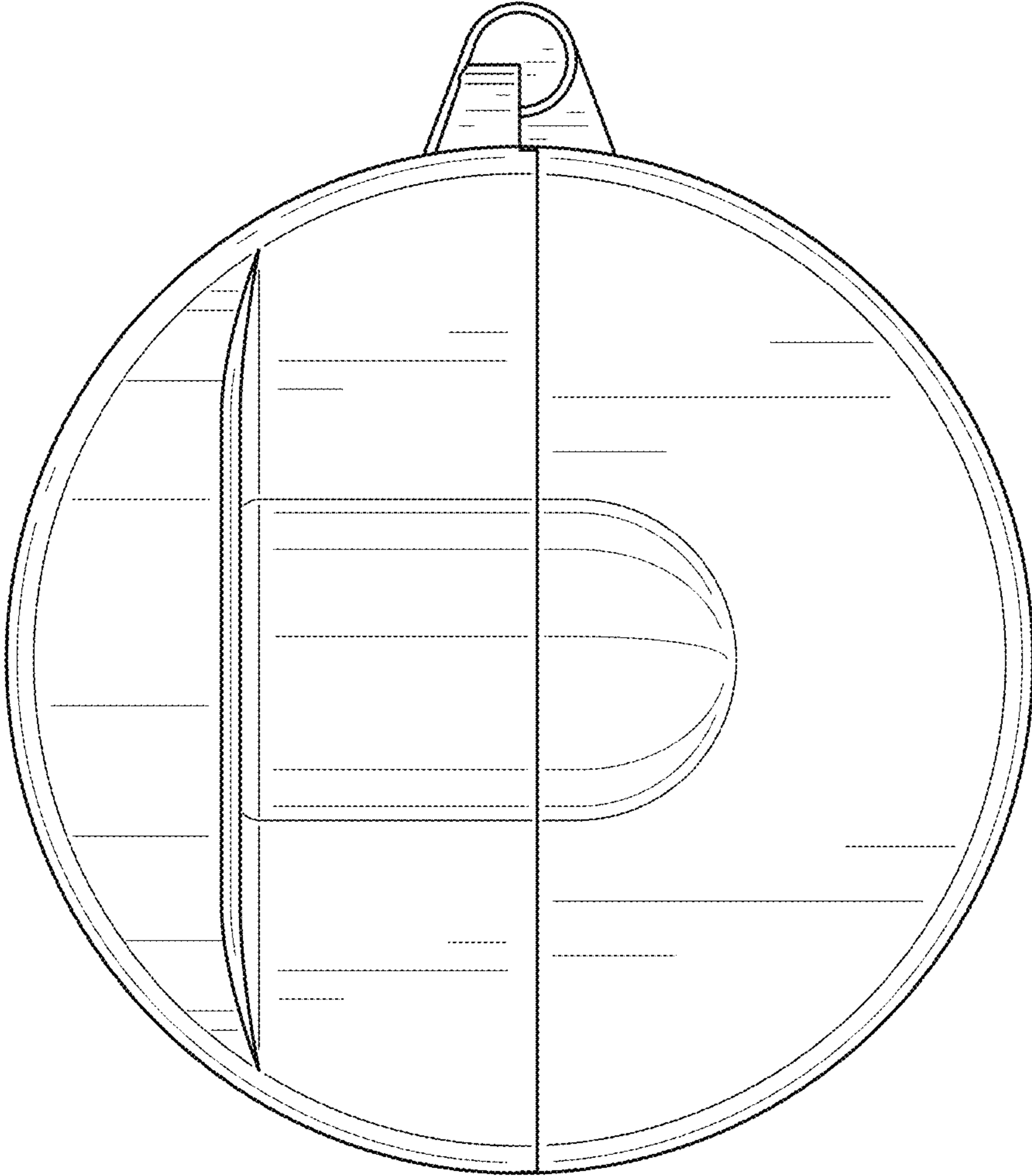


FIG. 20

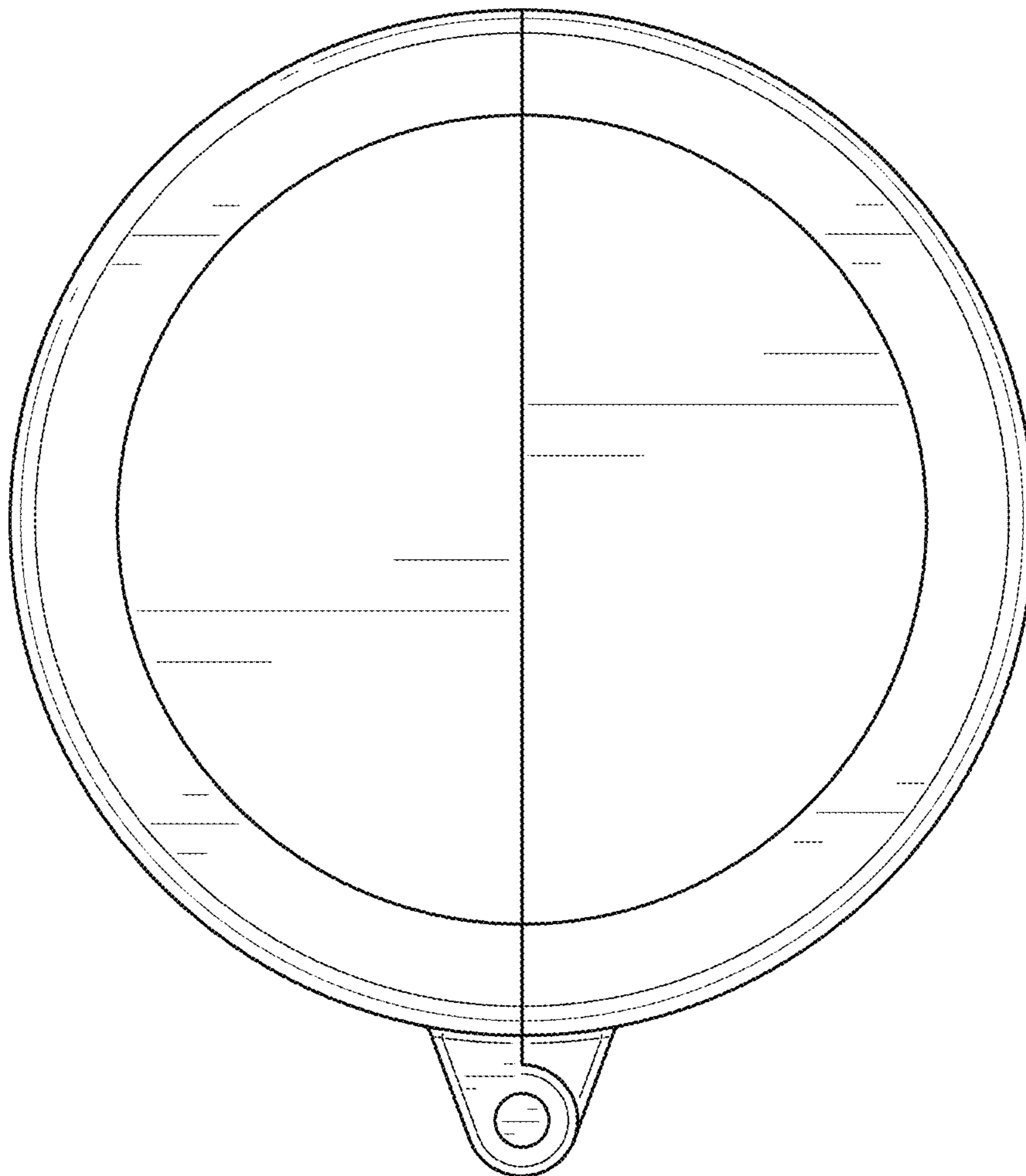


FIG. 21