



US00D813131S

(12) **United States Design Patent**
Chiang

(10) **Patent No.:** **US D813,131 S**
(45) **Date of Patent:** **** Mar. 20, 2018**

(54) **TOW HOOK LICENSE PLATE RELOCATOR**

(71) Applicant: **C & A Imports, Inc.**, Fremont, CA
(US)

(72) Inventor: **Man Kit Chiang**, Fremont, CA (US)

(73) Assignee: **C & A IMPORTS INC.**, Fremont, CA
(US)

(**) Term: **15 Years**

(21) Appl. No.: **29/585,706**

(22) Filed: **Nov. 28, 2016**

(51) **LOC (11) Cl.** **12-16**

(52) **U.S. Cl.**
USPC **D12/193**

(58) **Field of Classification Search**
USPC D12/193; D6/300, 301, 302, 310, 311,
D6/312, 313, 314; D20/13
CPC B60R 13/10; B60R 13/105; B60R 19/24;
B60R 19/52

See application file for complete search history.

(56) **References Cited**

U.S. PATENT DOCUMENTS

2,921,395	A *	1/1960	Fishman	B60R 13/105
					40/209
D341,117	S *	11/1993	Sundstedt	D12/162
D633,837	S *	3/2011	Murray	D12/193
D718,690	S *	12/2014	Marksteiner	D12/193
D732,440	S *	6/2015	Grake	D12/162
D750,536	S *	3/2016	Lusty	D12/162
D756,859	S *	5/2016	Malina	D12/193

D799,387	S *	10/2017	Malina	D12/193
D802,506	S *	11/2017	Bargen	D12/193
2014/0133935	A1 *	5/2014	MacNeil	G09F 7/18
					411/337

OTHER PUBLICATIONS

Grimmspeed relocation kit, available at <https://www.rallysportdirect.com/part/accessories/grm-094063-grimmspeed-license-plate-relocation-kit>.

* cited by examiner

Primary Examiner — George D. Kirschbaum

Assistant Examiner — Natasha Vujcic

(74) *Attorney, Agent, or Firm* — Chhabra Law Firm, PC

(57) **CLAIM**

The ornamental design of a tow hook license plate relocator, as shown and described.

DESCRIPTION

FIG. 1 is a top, right, front perspective view of a tow hook license plate relocator, illustrating the novel design.

FIG. 2 is the top view thereof.

FIG. 3 is the bottom view thereof.

FIG. 4 is the left side view thereof.

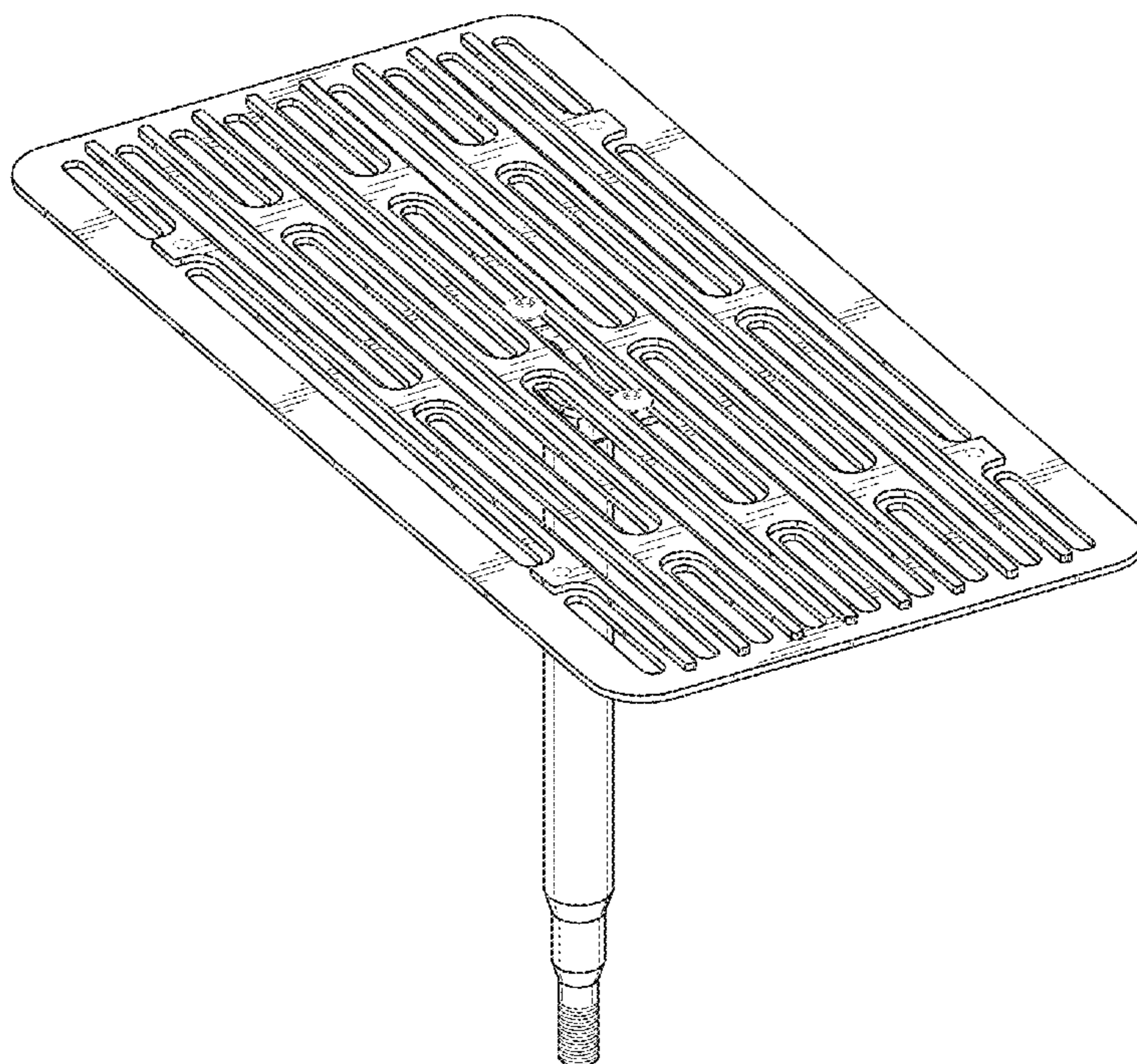
FIG. 5 is the right side view thereof.

FIG. 6 is the front view thereof; and,

FIG. 7 is the back view thereof.

The broken lines in the drawings depict unclaimed subject matter only and form no part of the claimed design.

1 Claim, 6 Drawing Sheets



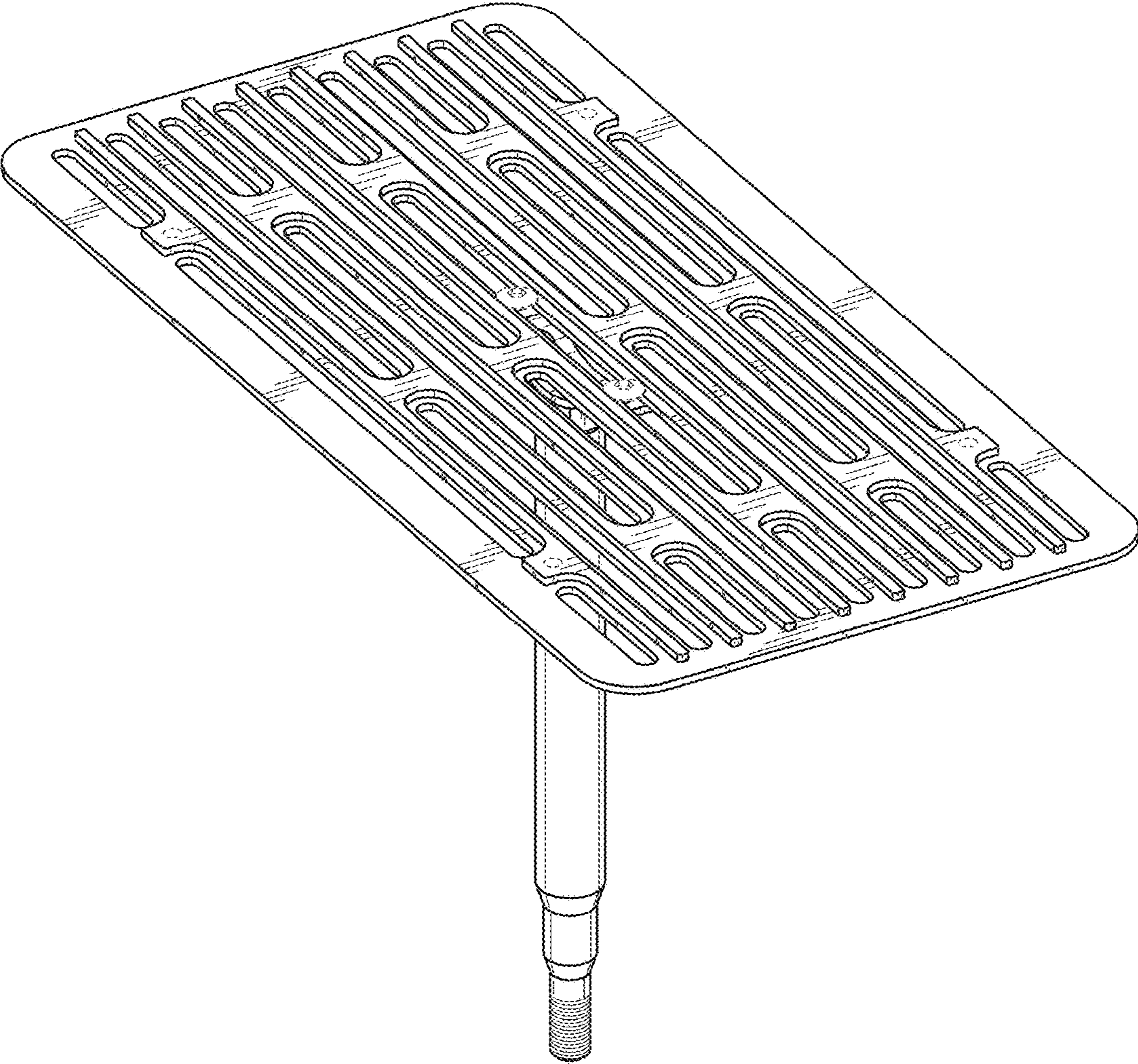


FIG. 1

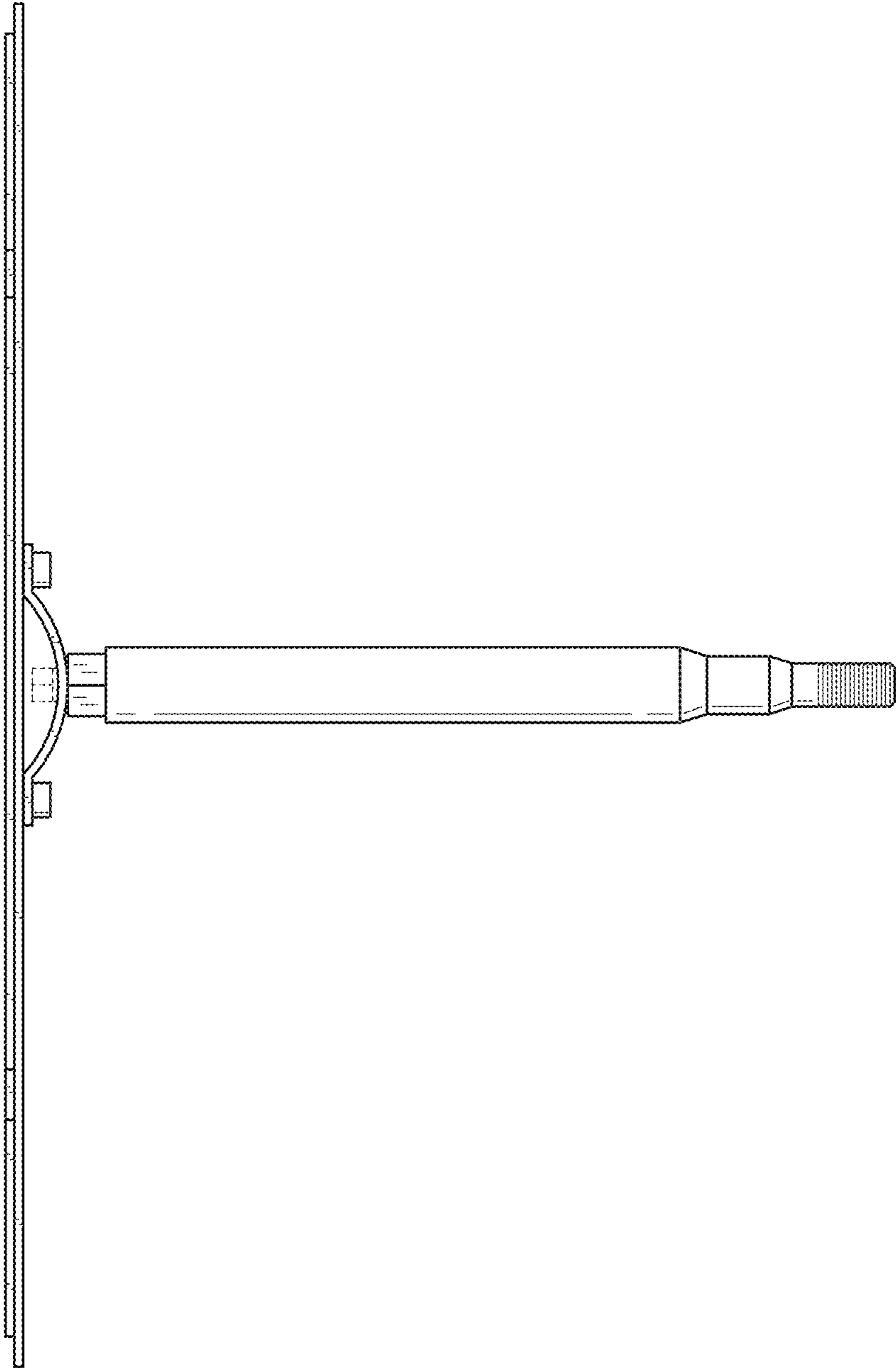


FIG. 2

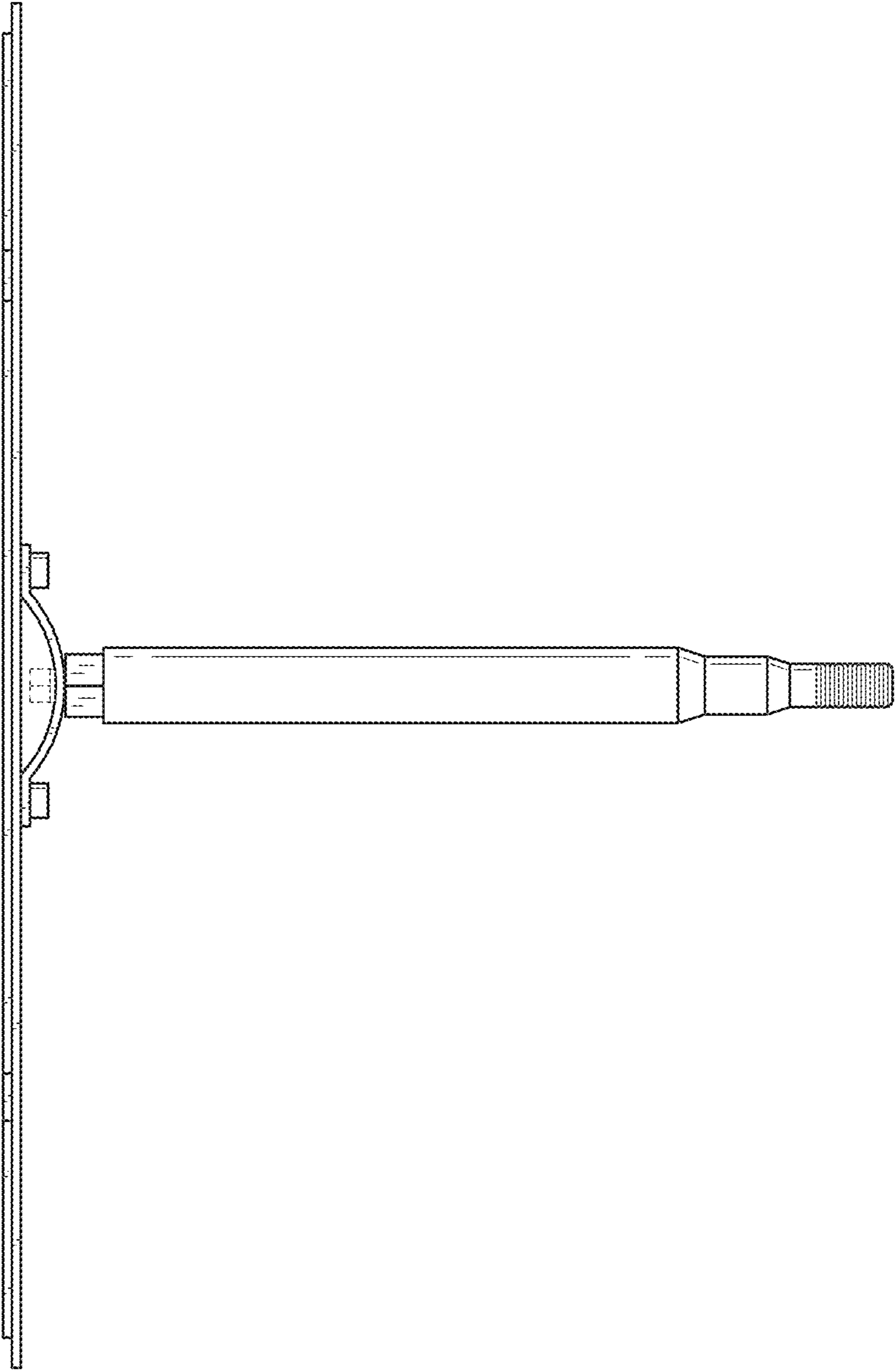


FIG. 3

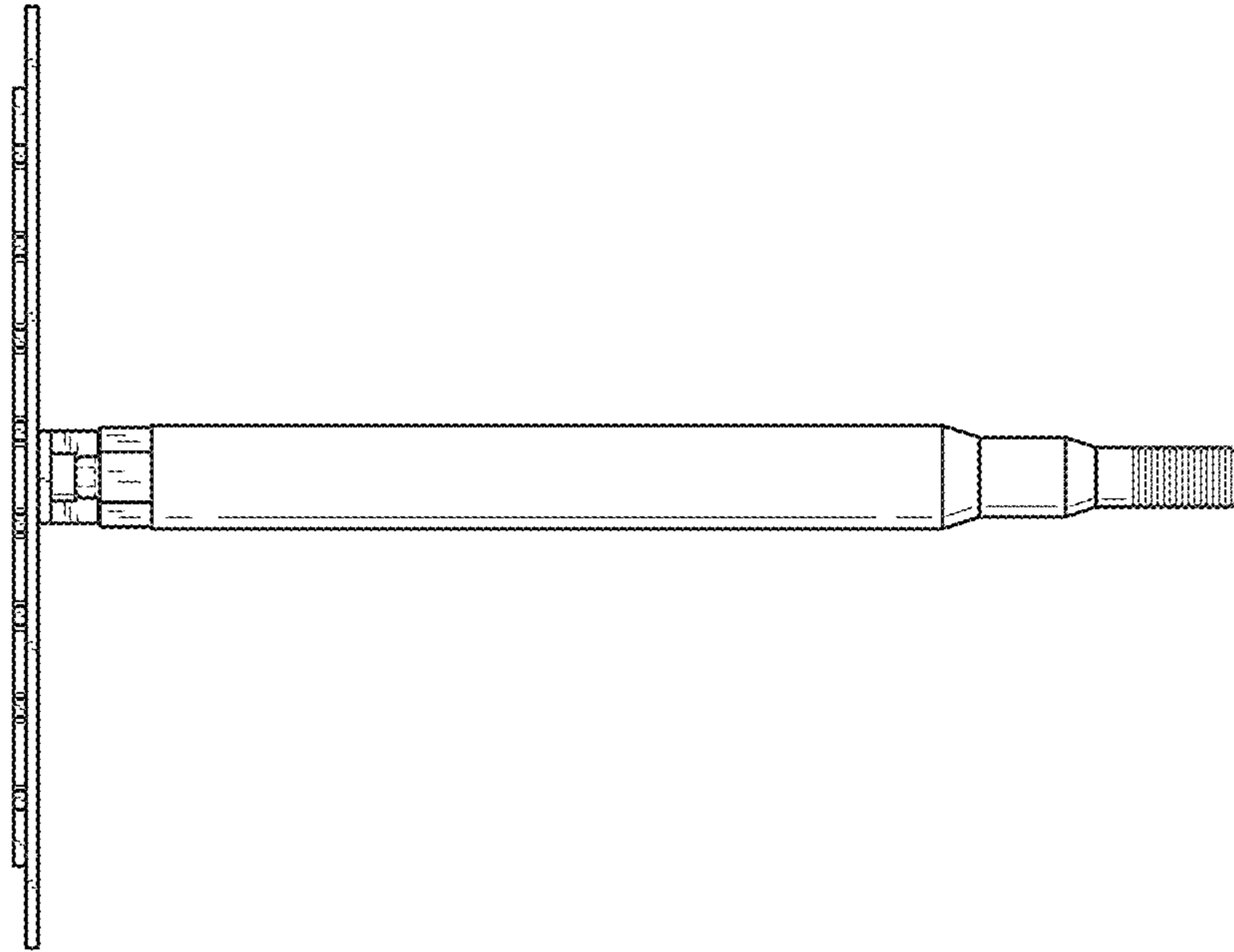


FIG. 5

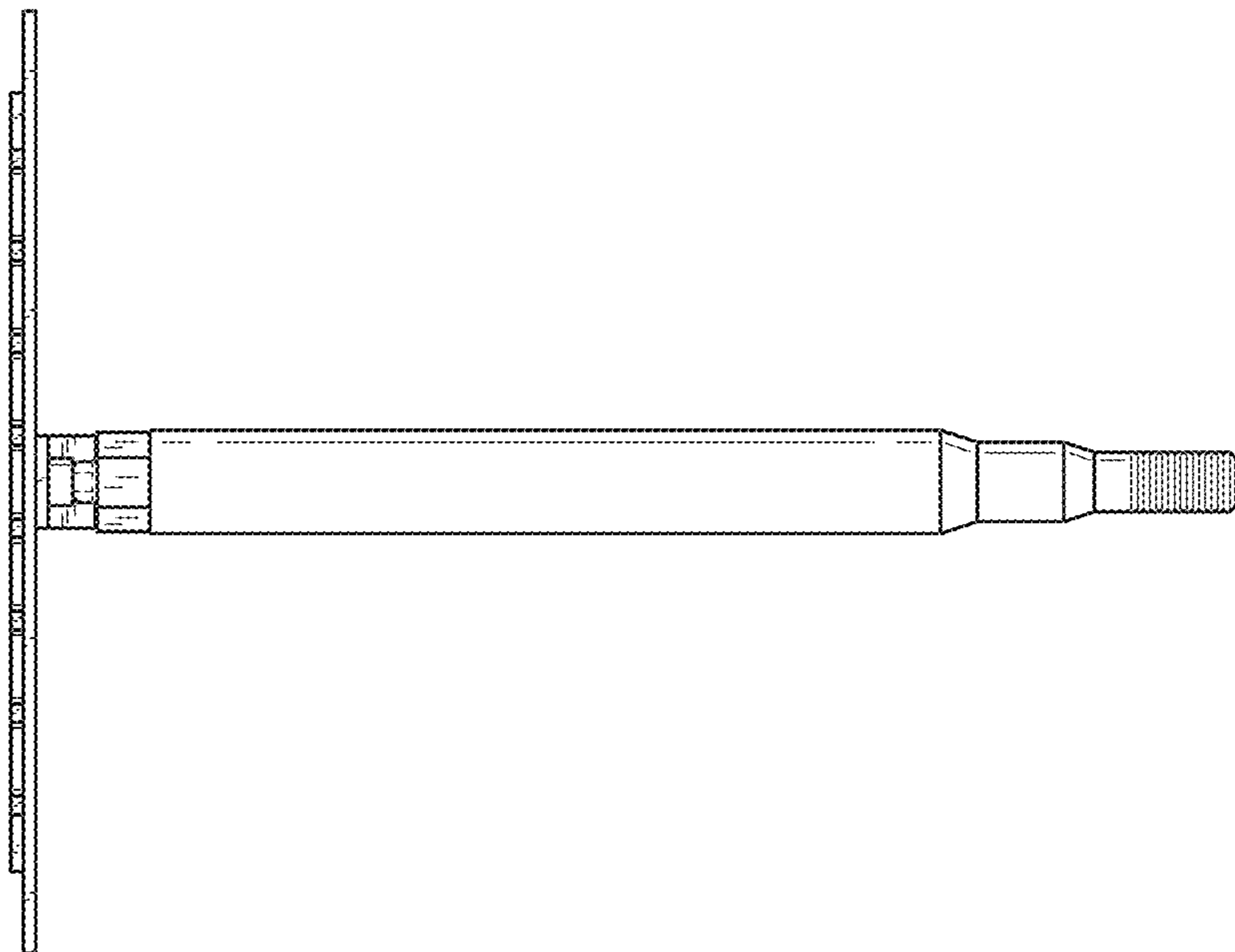


FIG. 4

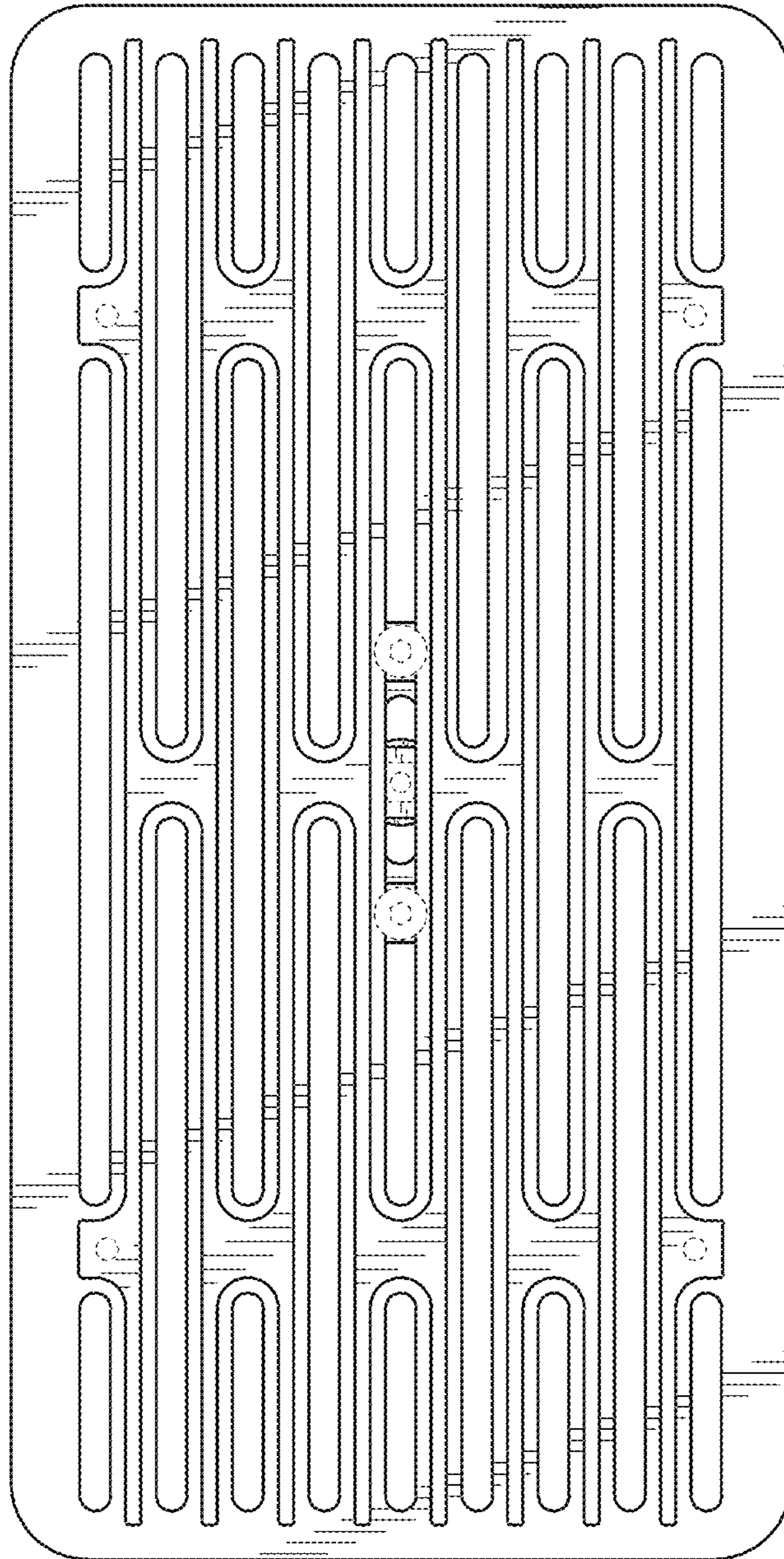


FIG. 6

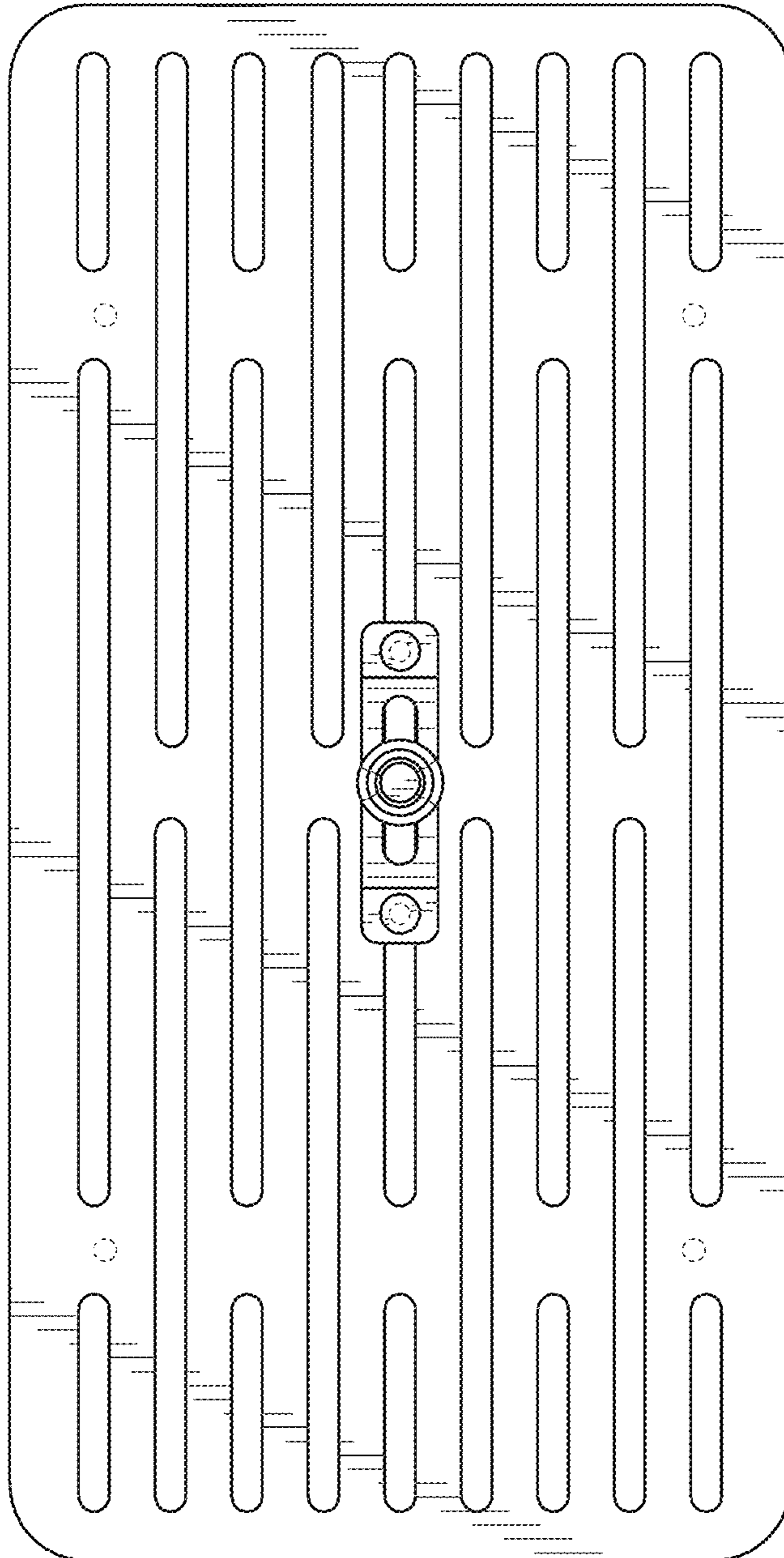


FIG. 7