



US00D813129S

(12) **United States Design Patent**  
**Hoffheinz**

(10) **Patent No.:** **US D813,129 S**

(45) **Date of Patent:** **\*\* Mar. 20, 2018**

(54) **LICENSE PLATE HOLDER**

(71) Applicant: **Olaf Hoffheinz**, Halver (DE)

(72) Inventor: **Olaf Hoffheinz**, Halver (DE)

(\*\*) Term: **15 Years**

(21) Appl. No.: **29/572,345**

(22) Filed: **Jul. 27, 2016**

(30) **Foreign Application Priority Data**

Feb. 26, 2016 (EM) ..... 003003359-0001

(51) **LOC (11) Cl.** ..... **12-16**

(52) **U.S. Cl.**  
USPC ..... **D12/193**

(58) **Field of Classification Search**  
USPC ..... D12/193; D6/300, 301, 302, 310, 311,  
D6/312, 313, 314; D20/13  
CPC ..... B60R 13/10; B60R 13/105; B60R 19/24;  
B60R 19/52  
See application file for complete search history.

(56) **References Cited**

**U.S. PATENT DOCUMENTS**

D245,497 S *	8/1977	Ritch	.....	D12/193
D247,962 S *	5/1978	Hunter	.....	D12/193
D370,450 S *	6/1996	Doan	.....	D12/193
D377,637 S *	1/1997	Berry, Jr.	.....	D12/193
D396,679 S *	8/1998	Findel, II	.....	D12/193
D406,806 S *	3/1999	Wallace	.....	D12/193
D489,031 S *	4/2004	Leibman	.....	D12/193

D502,434 S *	3/2005	Leibman	.....	D12/193
D530,926 S *	10/2006	Sellers	.....	D6/300
D566,023 S *	4/2008	Pacleb	.....	D12/193
D566,024 S *	4/2008	Pacleb	.....	D12/193
D599,726 S *	9/2009	Pacleb	.....	D12/193
D623,105 S *	9/2010	Aneiros	.....	D12/193
D625,234 S *	10/2010	Vuletic	.....	D12/193
D633,837 S *	3/2011	Murray	.....	D12/193
D773,365 S *	12/2016	Starke	.....	D12/193
9,586,538 B2 *	3/2017	Fontayne	.....	B60R 13/105
D802,506 S *	11/2017	Bargen	.....	D12/193

\* cited by examiner

*Primary Examiner* — George D. Kirschbaum

*Assistant Examiner* — Natasha Vujcic

(74) *Attorney, Agent, or Firm* — Collard & Roe, P.C.

(57) **CLAIM**

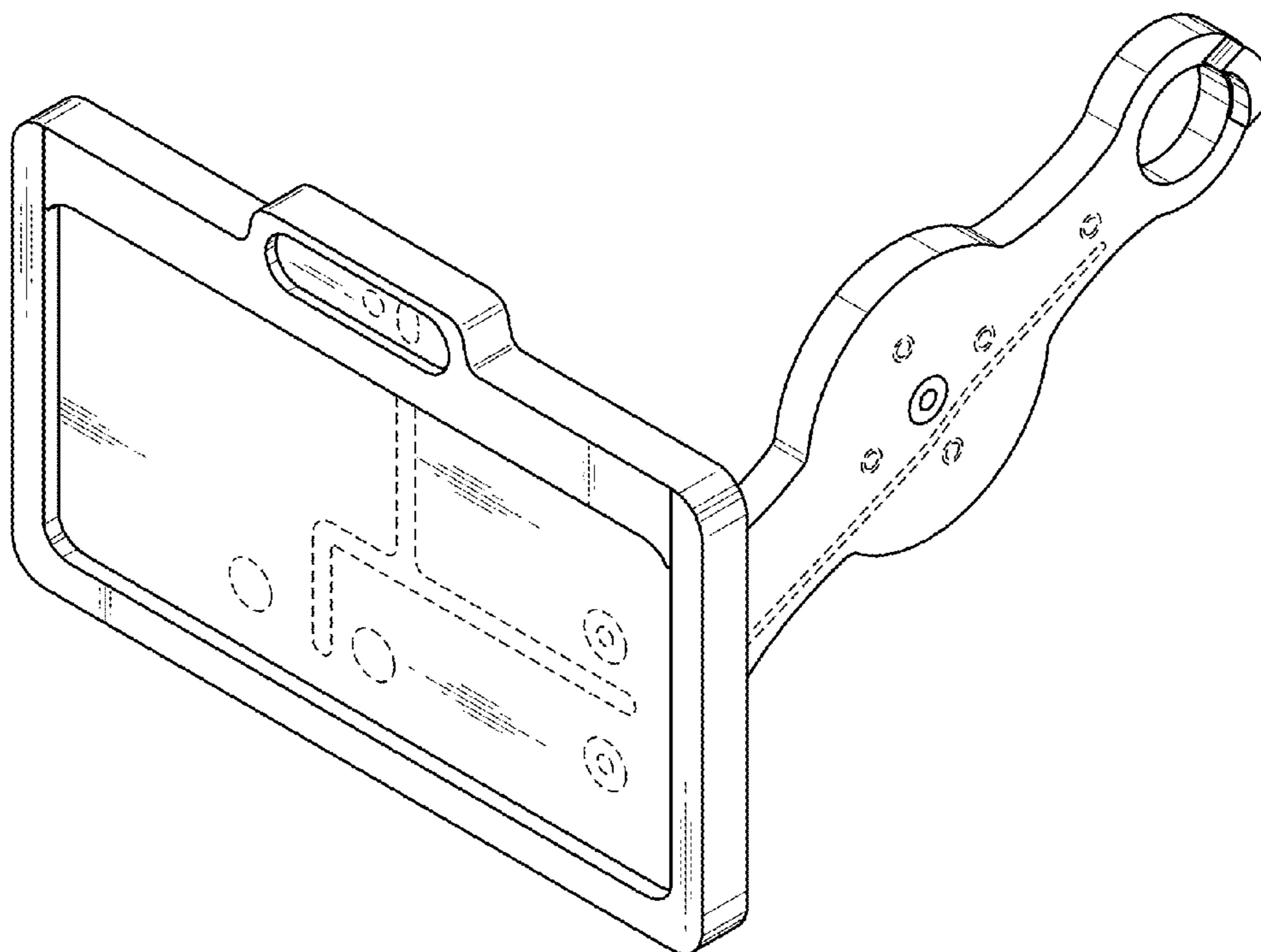
The ornamental design for a license plate holder, as shown and described.

**DESCRIPTION**

FIG. 1 is a front, top and right side perspective view of a license plate holder, showing my new design;  
FIG. 2 is a front view thereof;  
FIG. 3 is a rear view thereof;  
FIG. 4 is a right side view thereof;  
FIG. 5 is a left side view thereof;  
FIG. 6 is a top view thereof; and,  
FIG. 7 is a bottom view thereof.

The broken lines in the drawings illustrate portions of the license plate holder which forms no part of the claimed design.

**1 Claim, 4 Drawing Sheets**



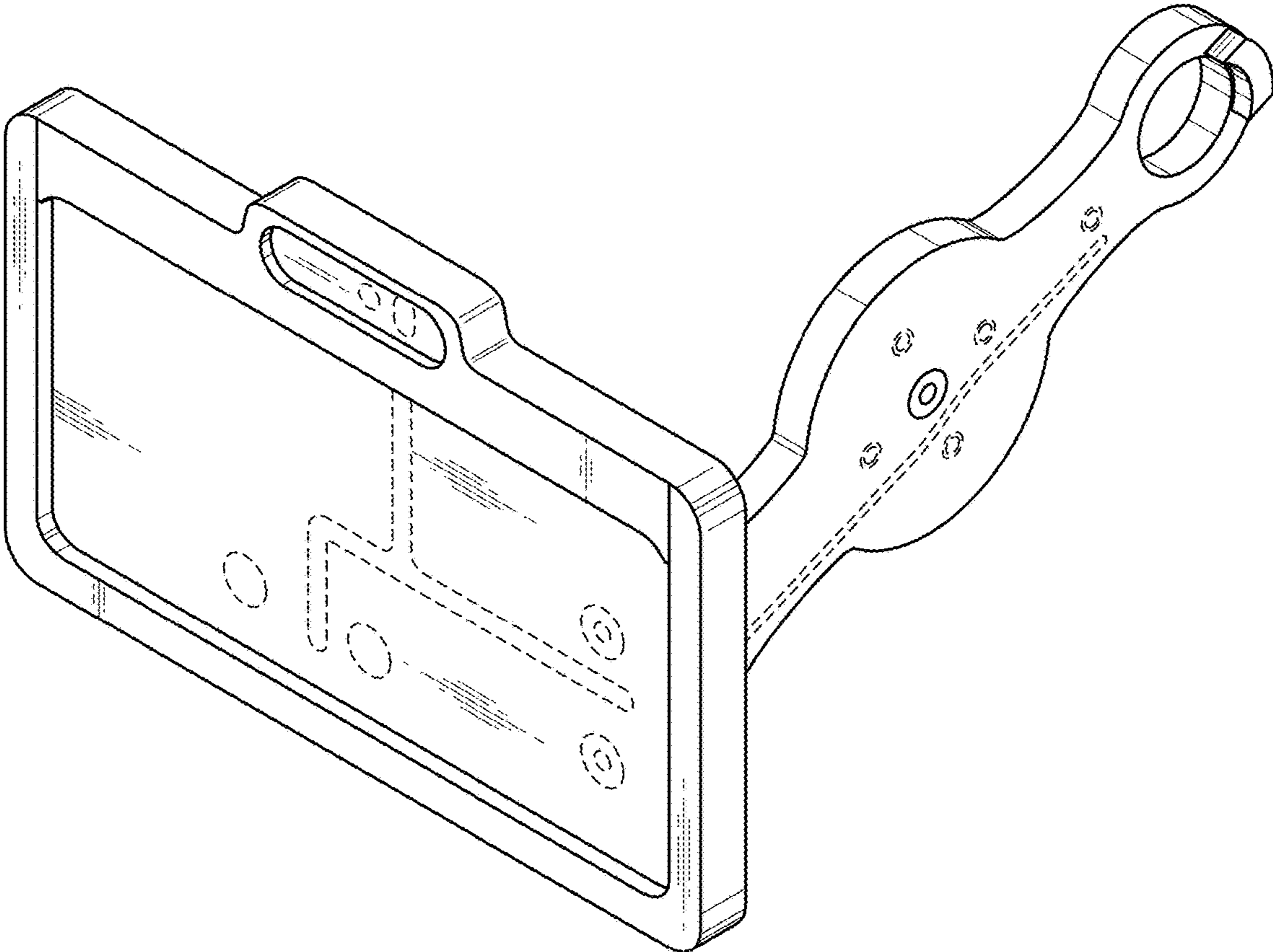


FIG. 1

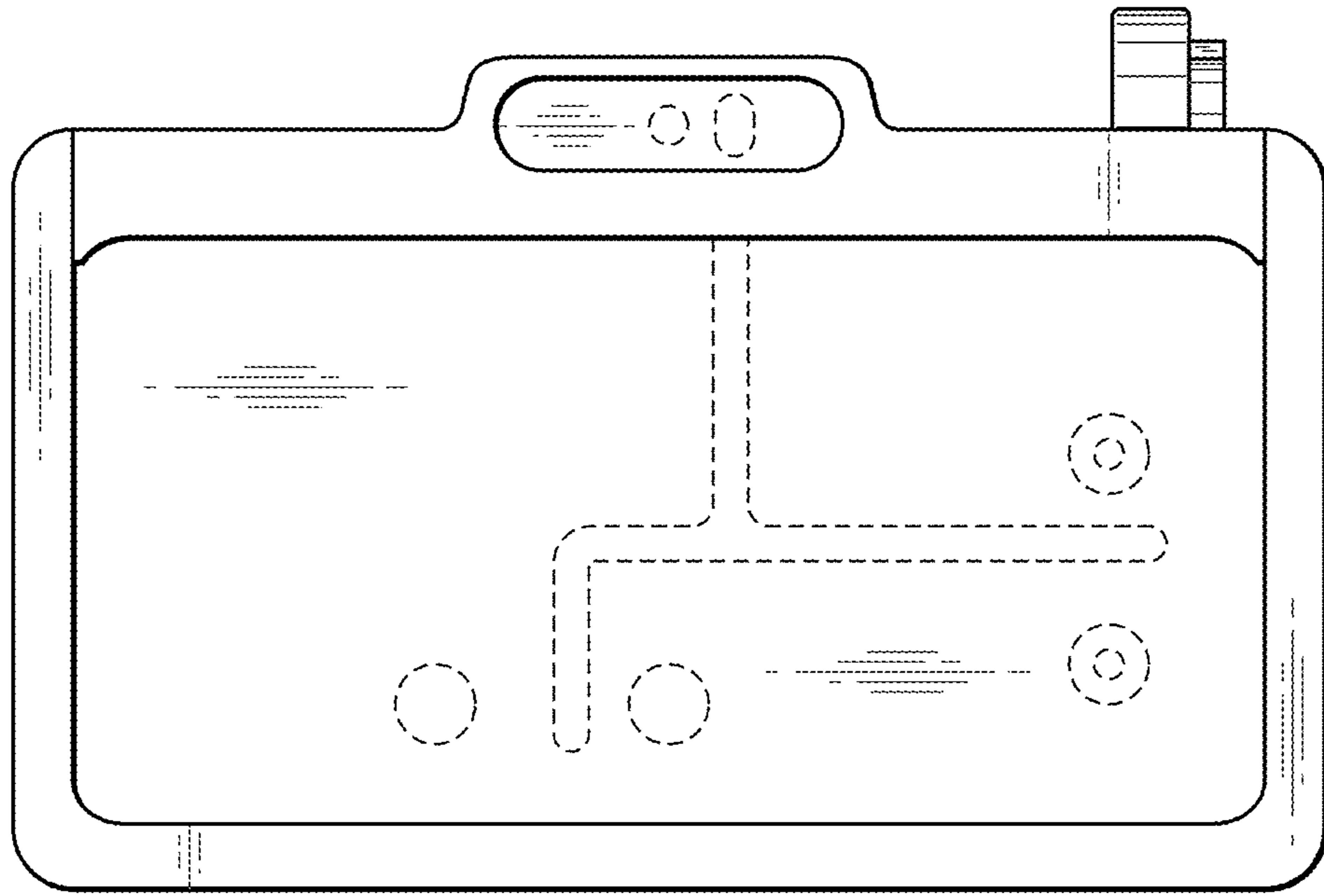


FIG. 2

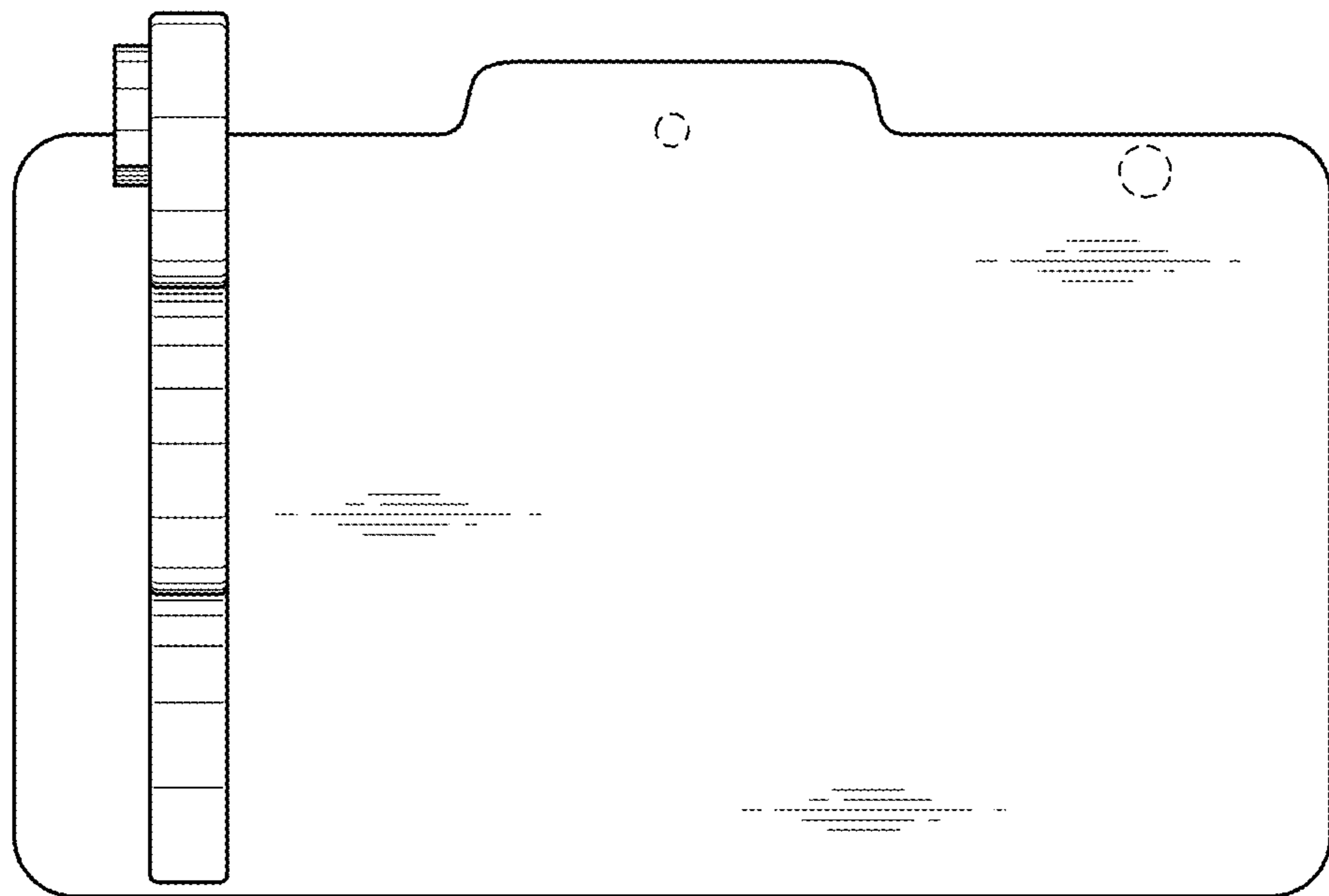


FIG. 3

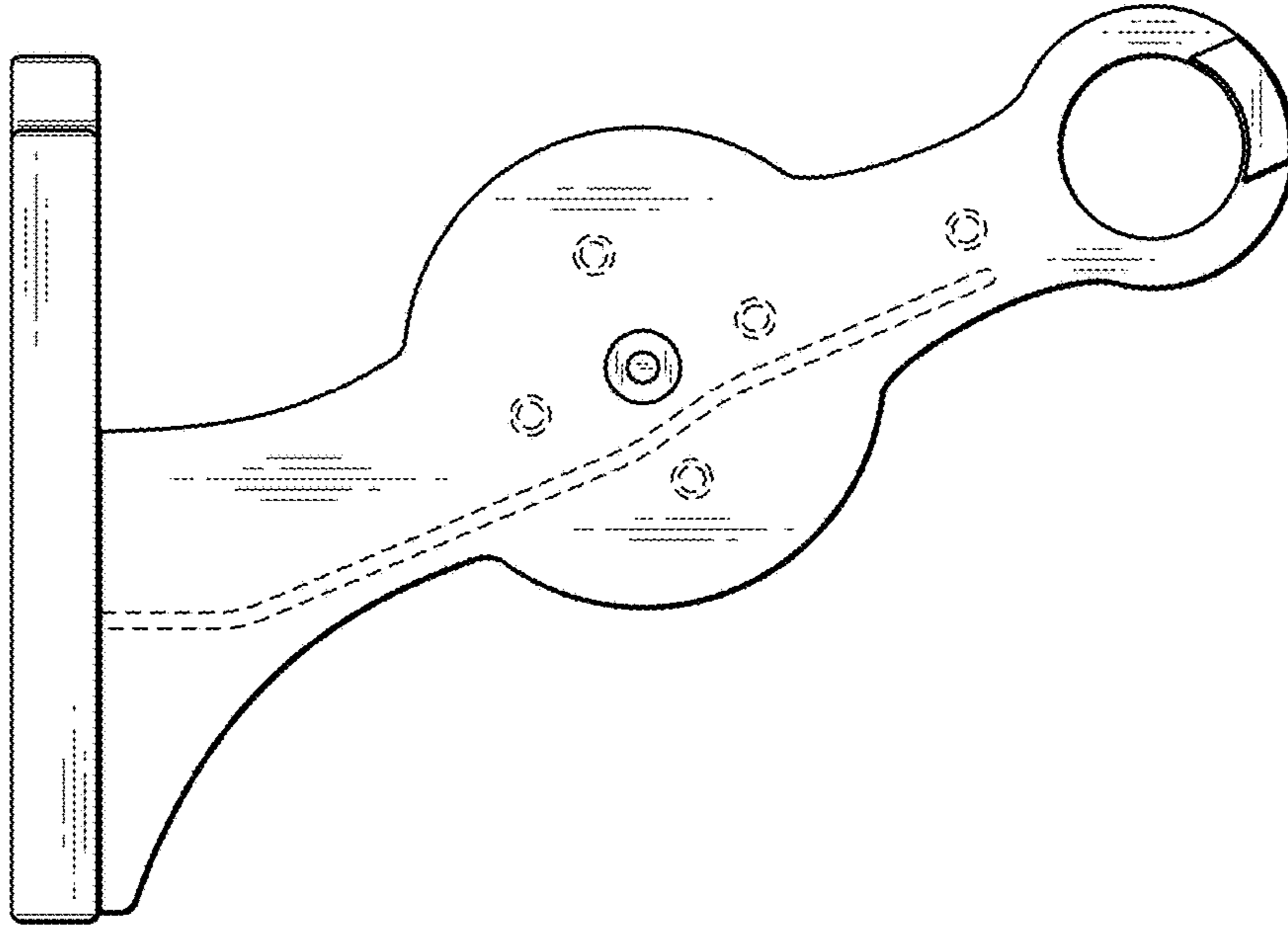


FIG. 4

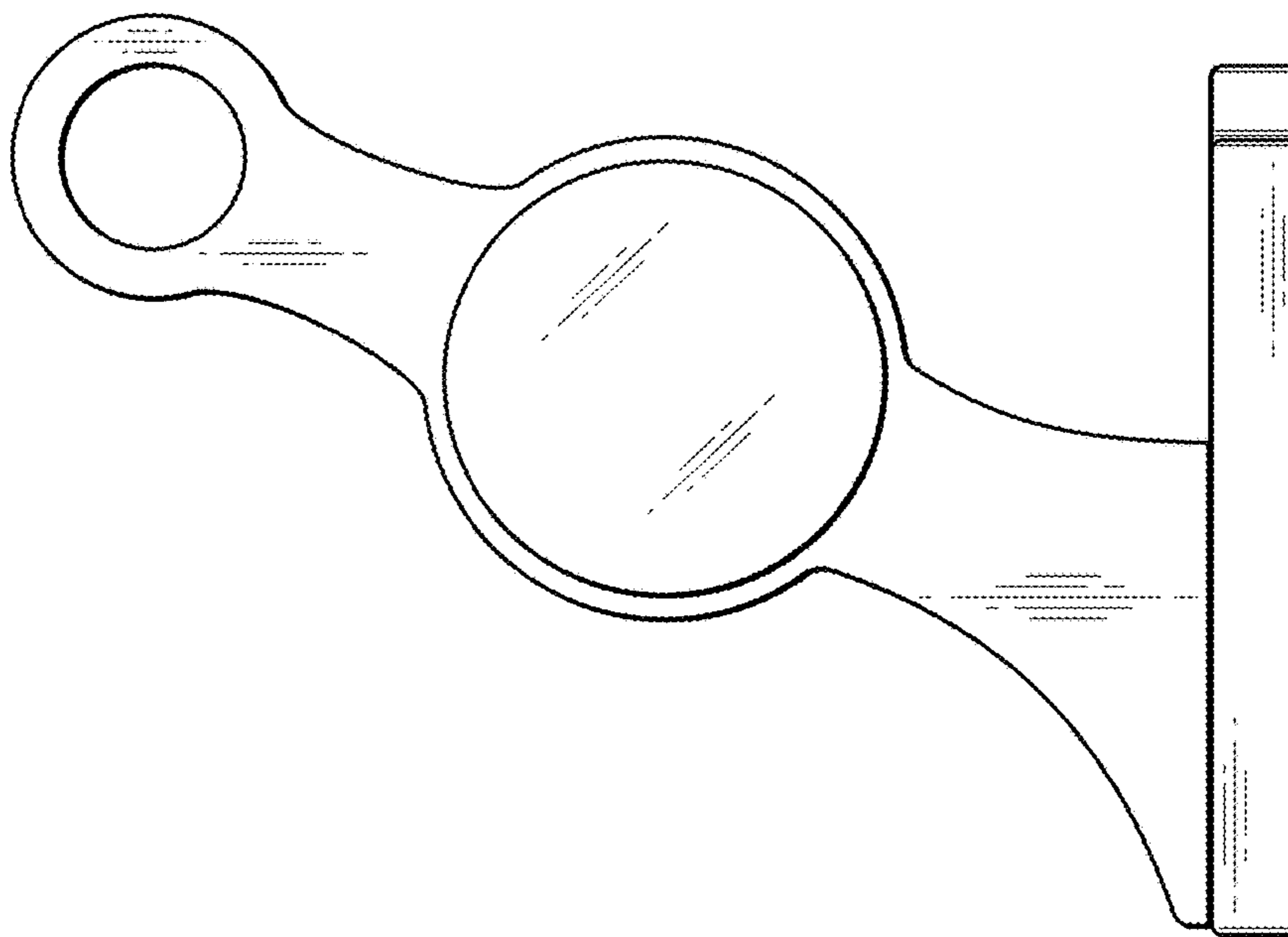


FIG. 5

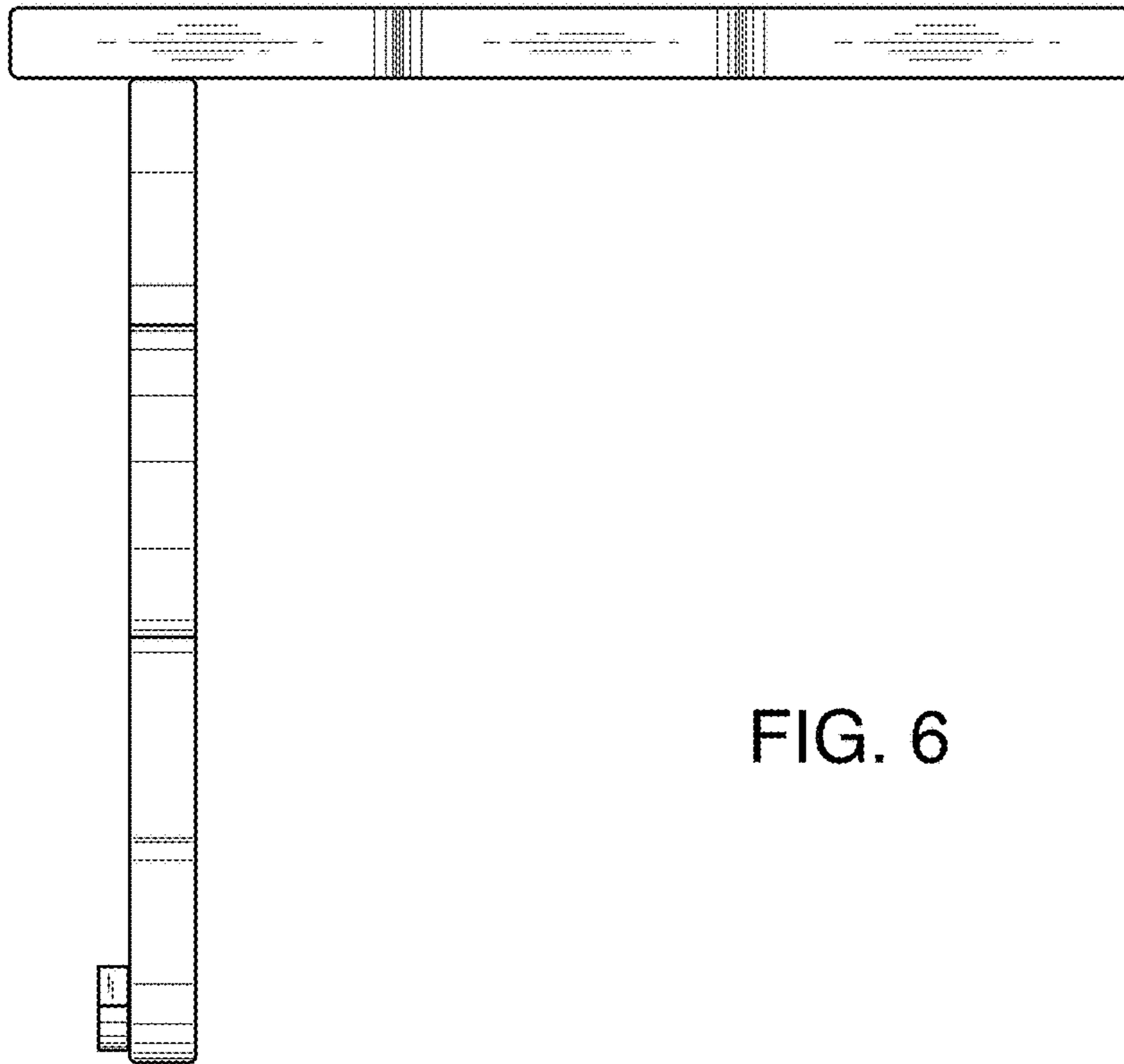


FIG. 6

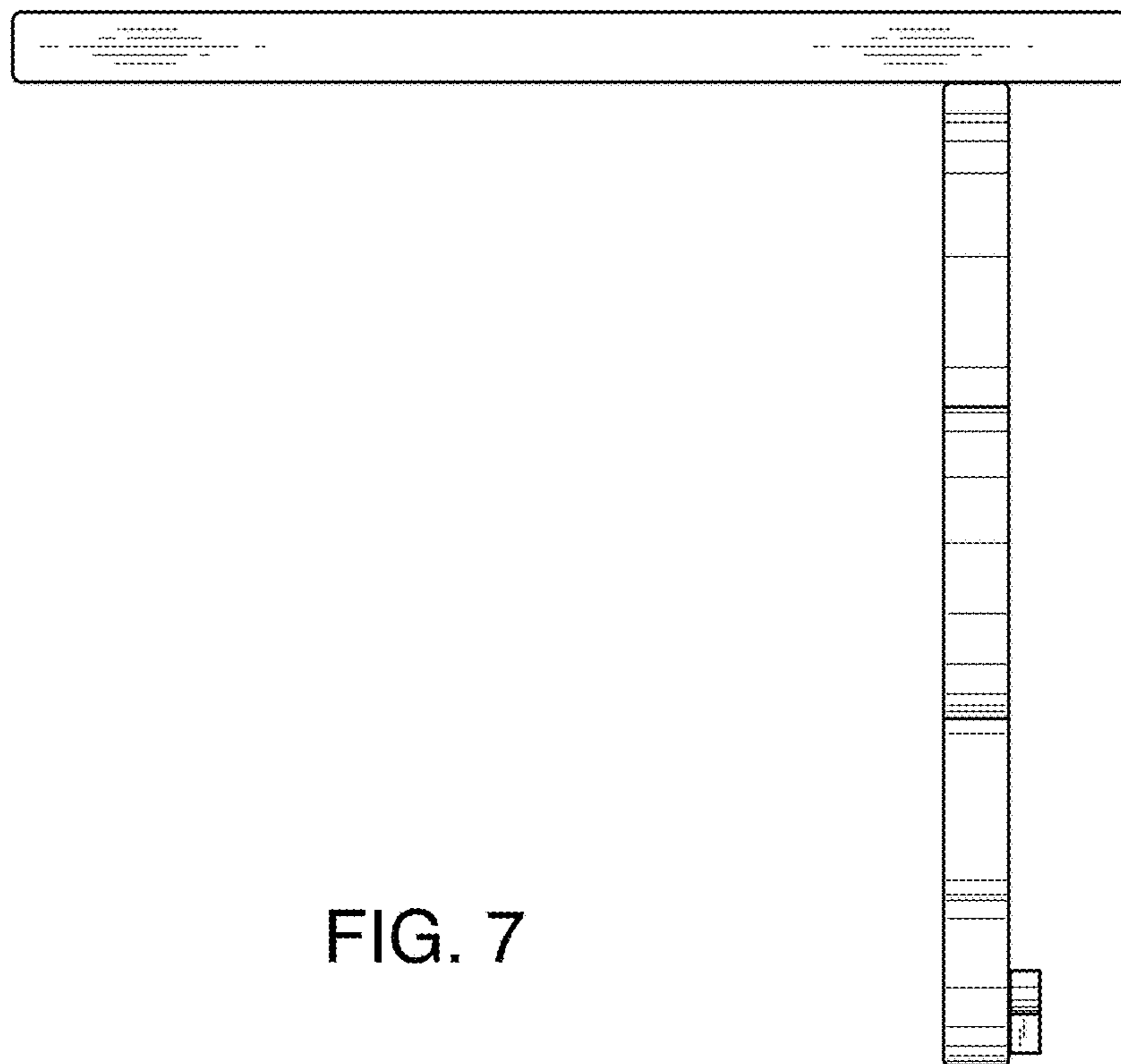


FIG. 7