



US00D813126S

(12) **United States Design Patent** (10) **Patent No.:** **US D813,126 S**  
**Scheinhütte** (45) **Date of Patent:** **\*\* Mar. 20, 2018**

(54) **SIDE VIEW MIRROR FOR MOTOR VEHICLE**

(71) Applicant: **Dr. Ing. h.c. F. Porsche Aktiengesellschaft, Stuttgart (DE)**

(72) Inventor: **Ingo Scheinhütte, Eberdingen (DE)**

(73) Assignee: **Dr. Ing. h.c. F. Porsche Aktiengesellschaft, Stuttgart (DE)**

(\*\*) Term: **15 Years**

(21) Appl. No.: **29/579,462**

(22) Filed: **Sep. 30, 2016**

(30) **Foreign Application Priority Data**

Mar. 31, 2016 (DE) ..... 40 2016 100 377

(51) **LOC (11) Cl.** ..... **12-16**

(52) **U.S. Cl.**  
USPC ..... **D12/187**

(58) **Field of Classification Search**  
USPC ..... D12/187, 188, 189; D6/300, 309  
CPC ..... B60R 1/076; B60R 1/074; B60R 1/078;  
B60R 1/08; B60R 1/081; B60R 1/082;  
G02B 7/182; G02B 7/18; G02B 5/08  
See application file for complete search history.

(56) **References Cited**

**U.S. PATENT DOCUMENTS**

D606,469 S \* 12/2009 Varga ..... D12/187  
D619,946 S \* 7/2010 Lamm ..... D12/187  
D621,312 S \* 8/2010 Borkert ..... D12/187  
D691,531 S \* 10/2013 Rupar ..... D12/187

D702,611 S 4/2014 Borkert  
D702,612 S 4/2014 Borkert  
D703,120 S \* 4/2014 Nordmann ..... D12/187  
D711,301 S \* 8/2014 Majdandzic ..... D12/187  
D718,689 S \* 12/2014 Blanski ..... D12/187  
D726,610 S \* 4/2015 Gong ..... D12/187  
D727,229 S 4/2015 Varga  
D746,196 S \* 12/2015 Di Buduo ..... D12/187  
D761,172 S \* 7/2016 Kim ..... D12/187  
D764,363 S 8/2016 Varga  
D777,068 S \* 1/2017 Sterner ..... D12/187  
D784,226 S \* 4/2017 Cheng ..... D12/187  
2009/0015955 A1 \* 1/2009 Muller ..... B60R 1/06  
359/871

\* cited by examiner

*Primary Examiner* — Karen S Acker

*Assistant Examiner* — Jerry Shiuan-Hua Hsu

(74) *Attorney, Agent, or Firm* — RatnerPrestia

(57) **CLAIM**

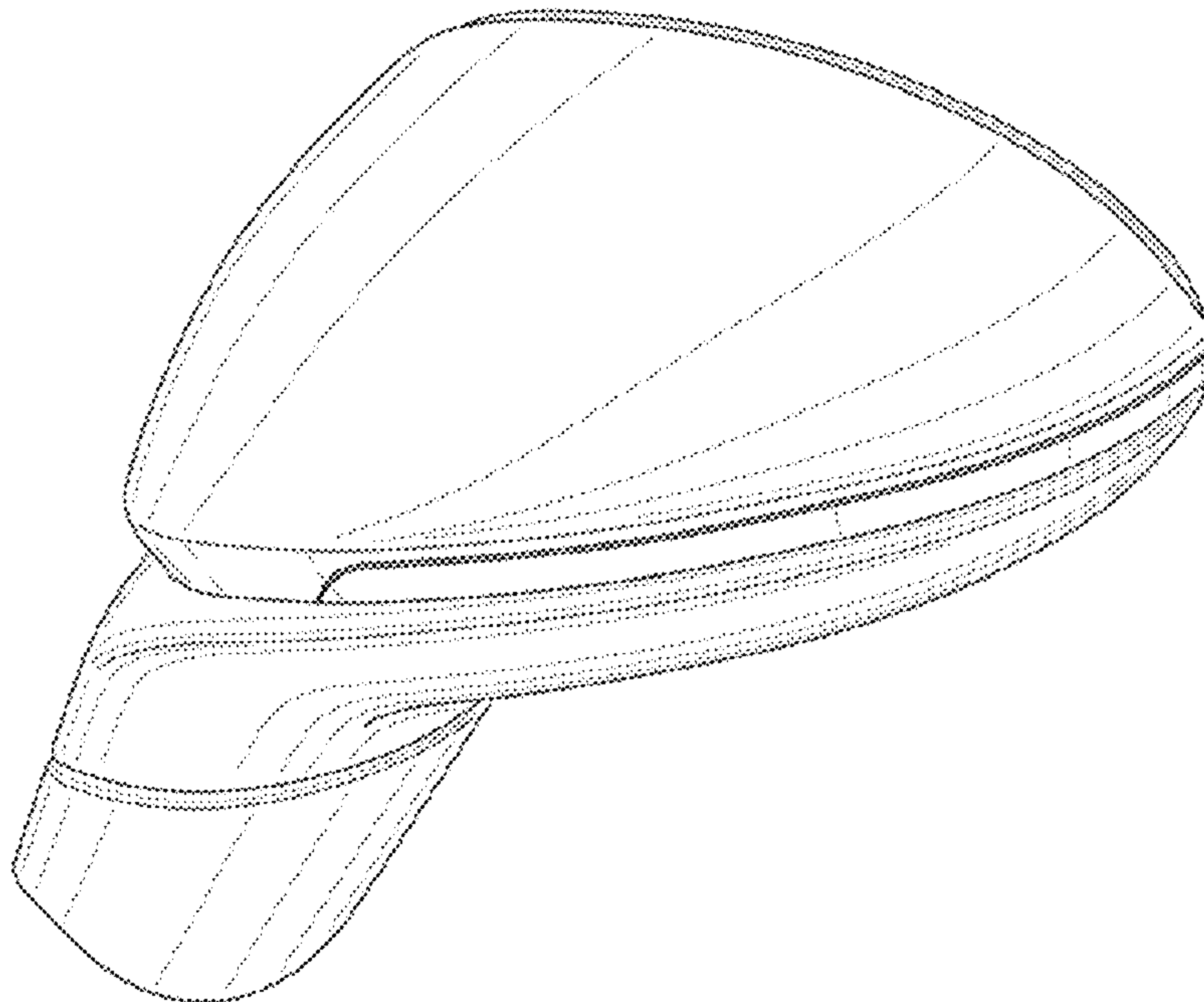
The ornamental design for a side view mirror for a motor vehicle, as shown and described.

**DESCRIPTION**

FIG. 1 is a rear perspective view of a side view mirror for a motor vehicle;  
FIG. 2 is a front elevation view thereof;  
FIG. 3 is a rear elevation view thereof;  
FIG. 4 is an elevation view thereof from the left side;  
FIG. 5 is an elevation view thereof from the right side;  
FIG. 6 is a top plan view thereof; and,  
FIG. 7 is a bottom plan view thereof.

The broken lines depict portions of the side view mirror for a motor vehicle that form no part of the claimed design.

**1 Claim, 4 Drawing Sheets**



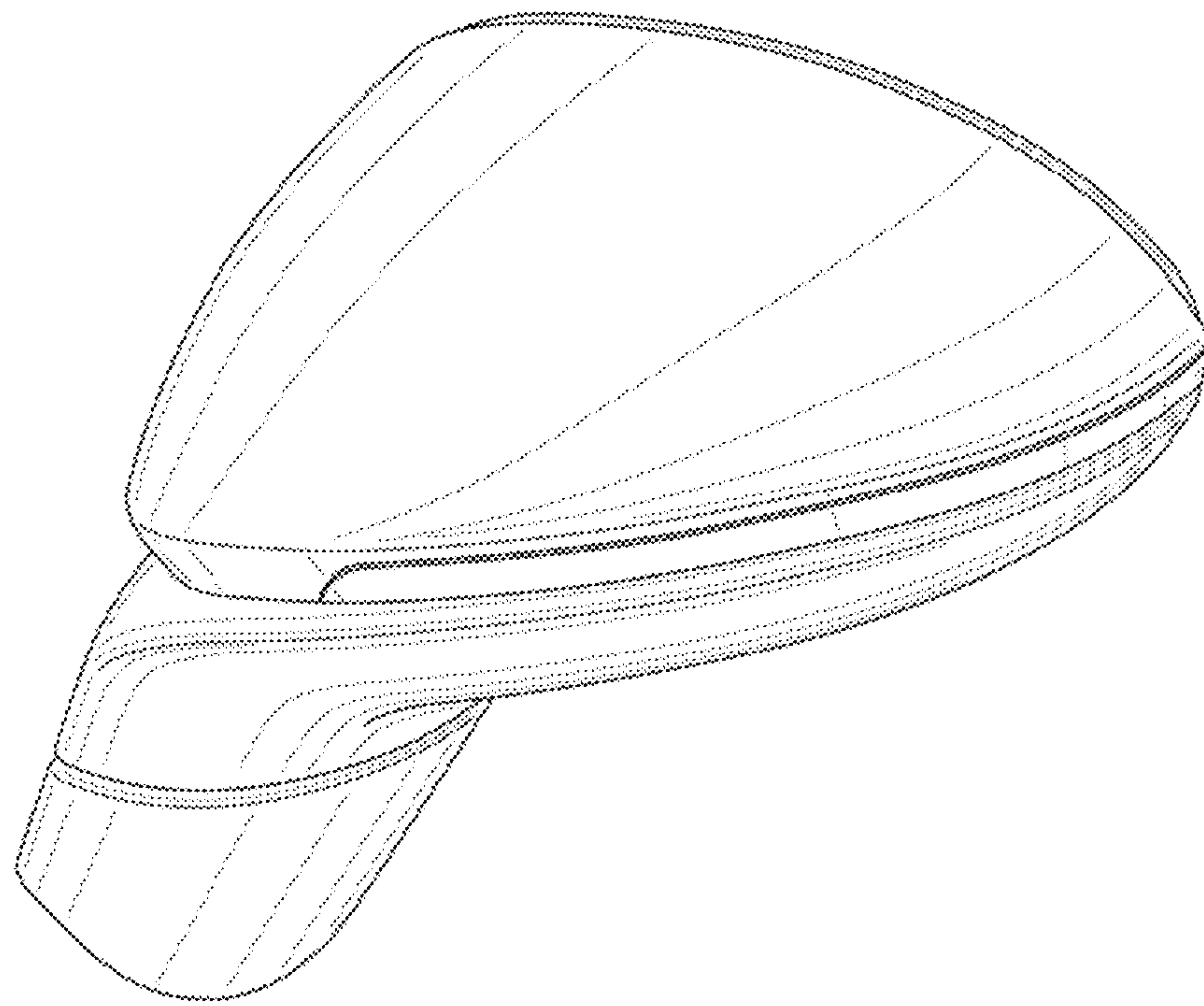


FIG. 1

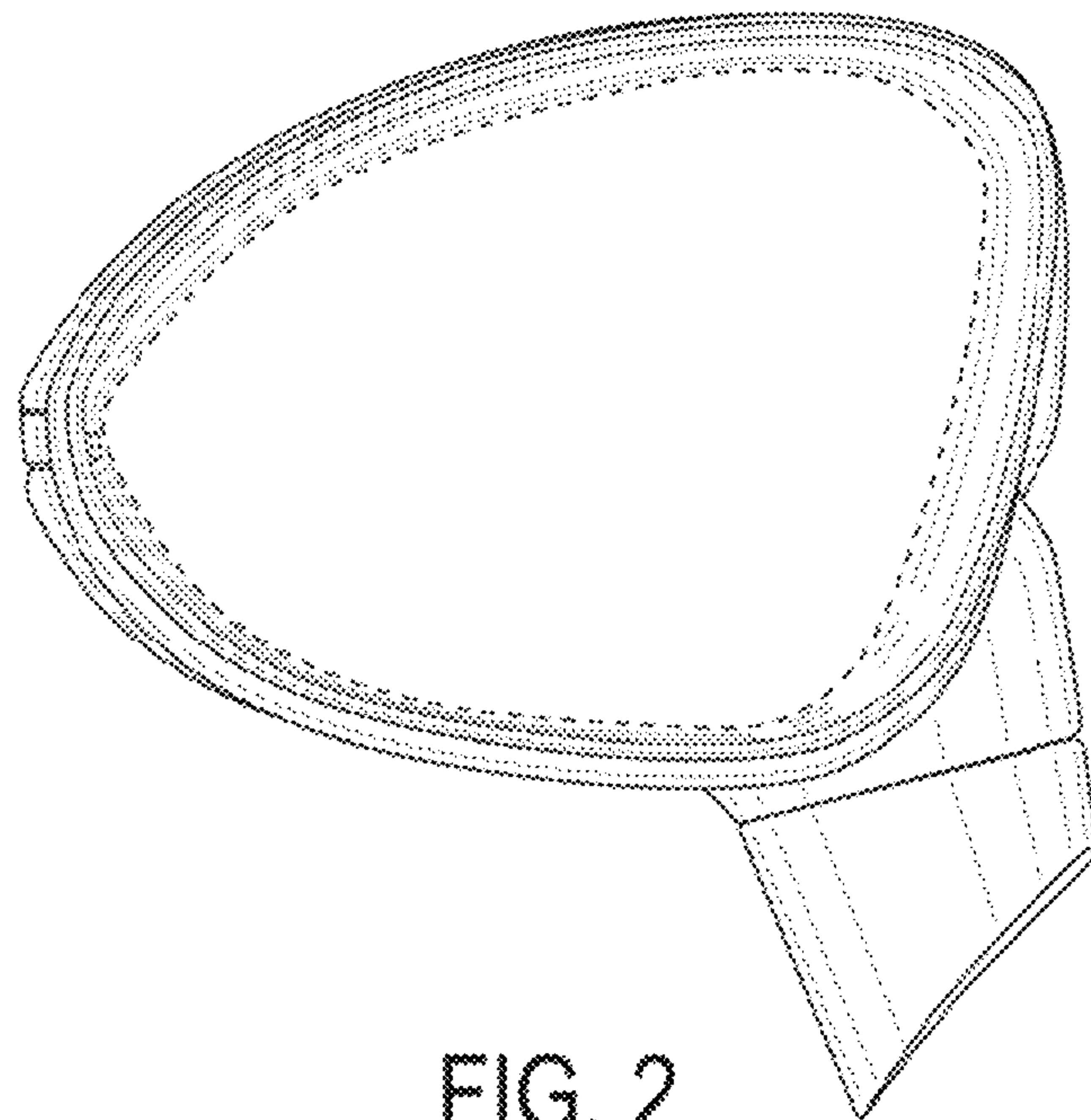


FIG. 2

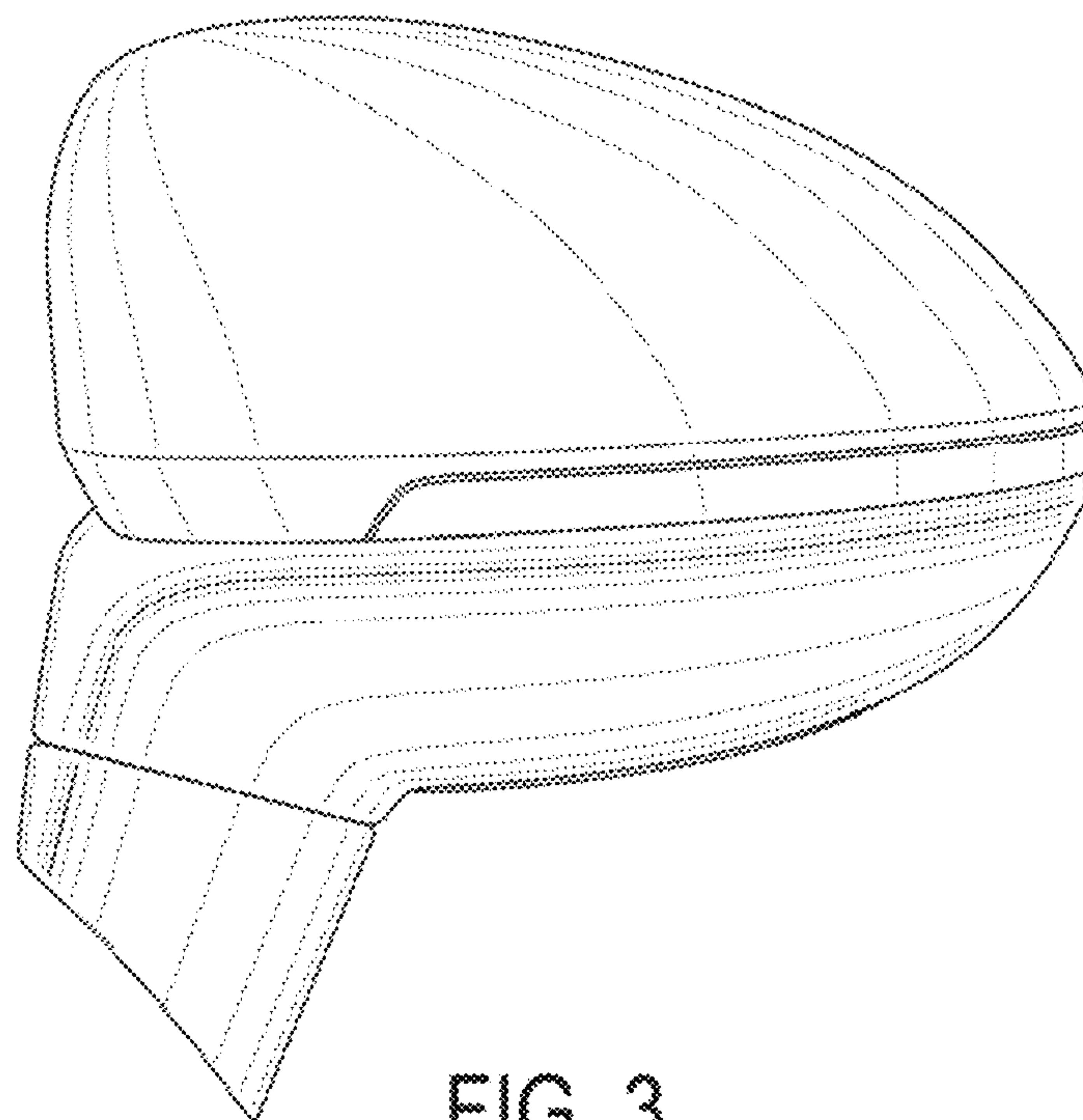


FIG. 3



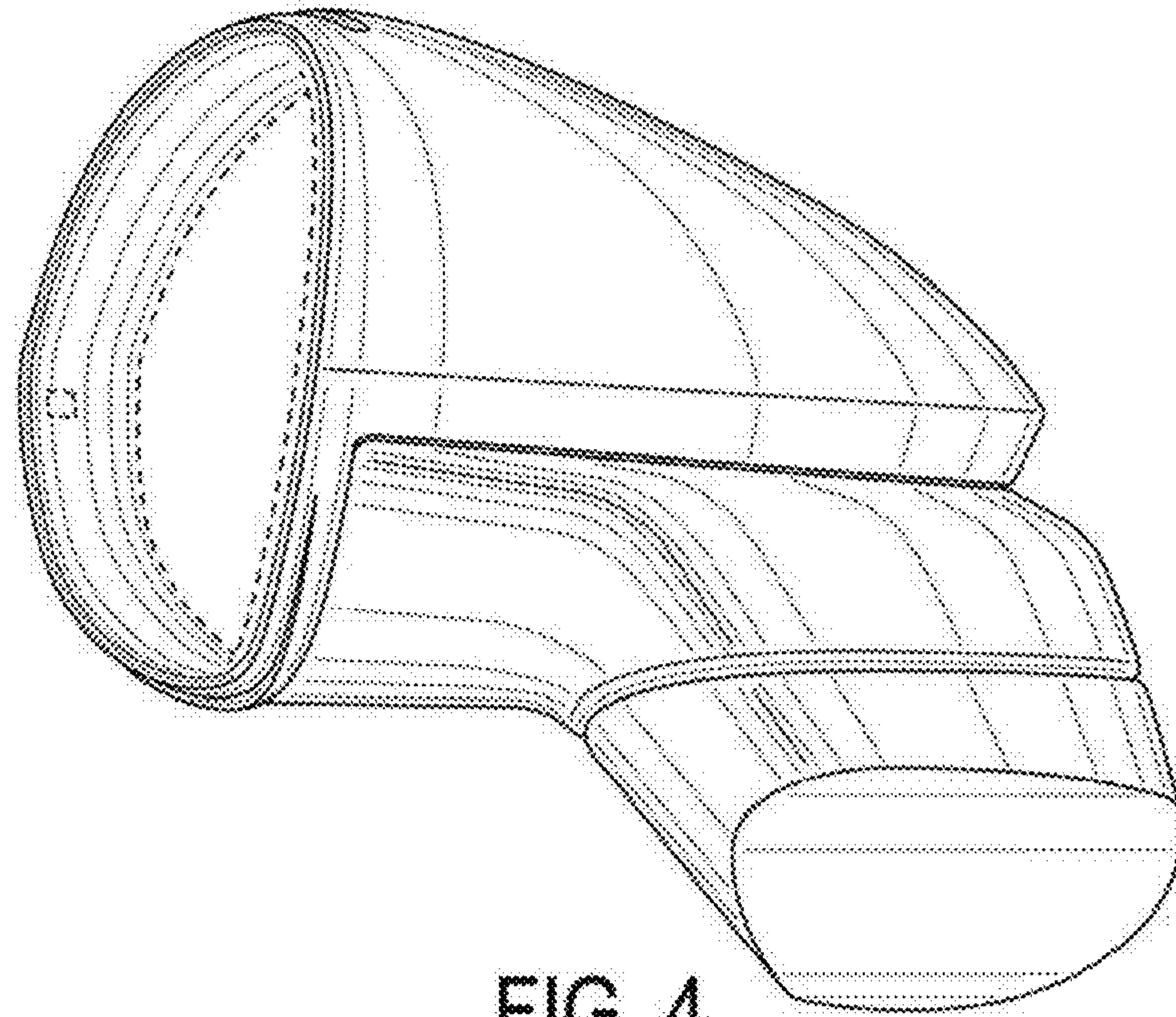


FIG. 4

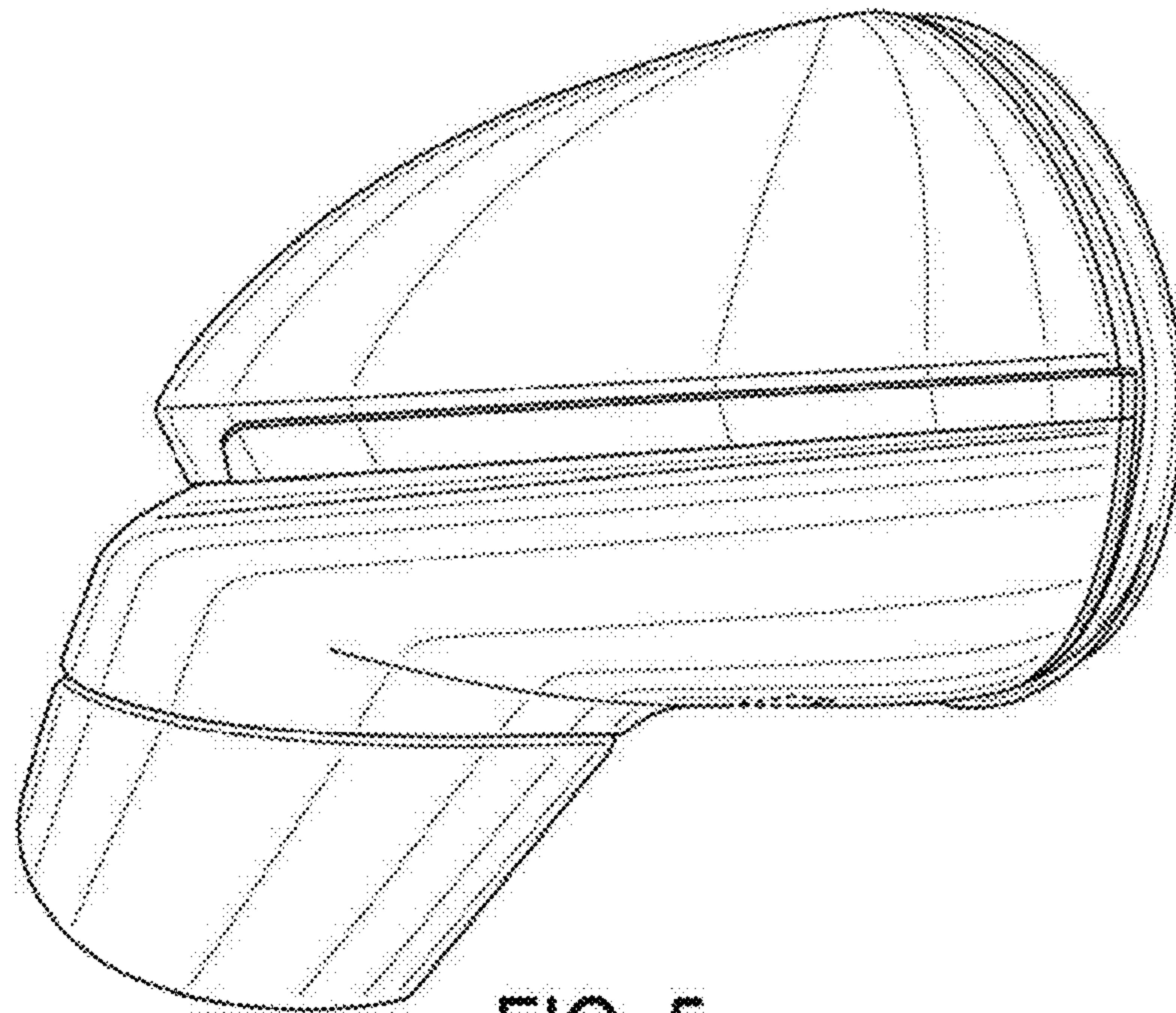


FIG. 5

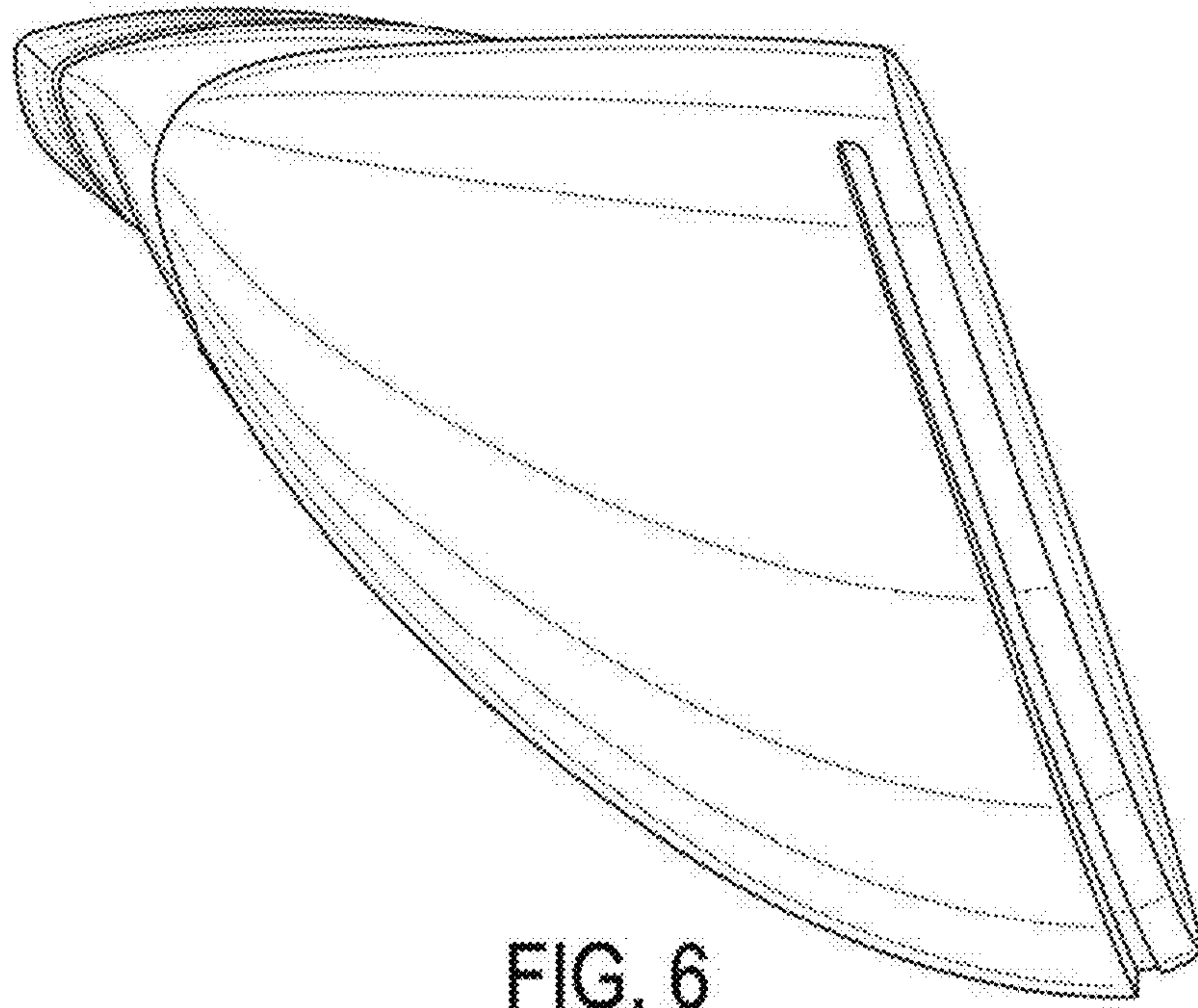


FIG. 6

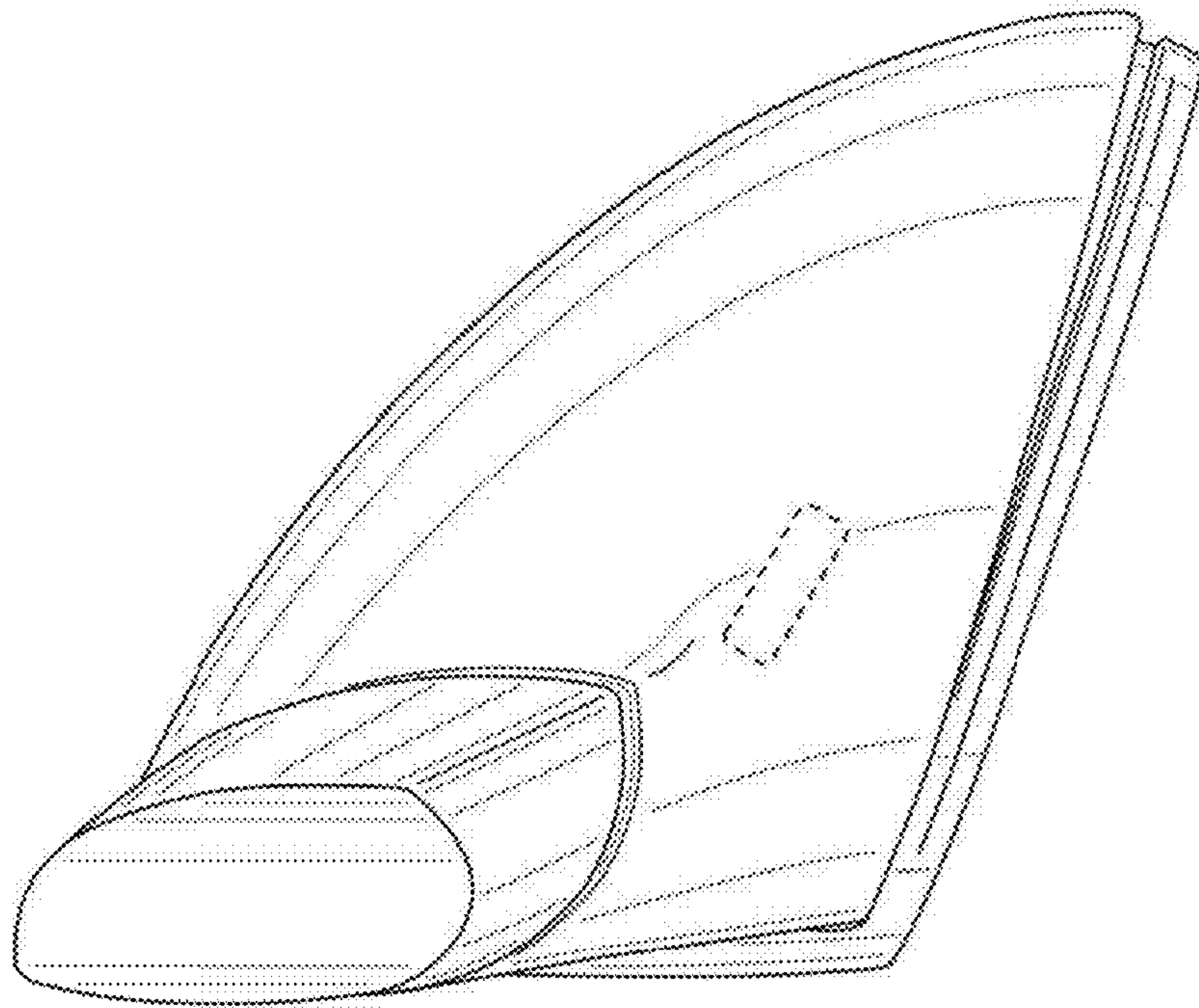


FIG. 7