



US00D813125S

(12) **United States Design Patent** (10) **Patent No.:** **US D813,125 S**
Crippa et al. (45) **Date of Patent:** **** Mar. 20, 2018**

(54) **DISC BRAKE CALIPER**
(71) Applicant: **FRENI BREMBO S.P.A.**, Curno (IT)
(72) Inventors: **Cristian Crippa**, Bergamo (IT);
Adriano Bonetti, Bergamo (IT);
Alfredo Epis, Bergamo (IT)
(73) Assignee: **Freni Brembo S.p.A.**, Curno (IT)
(**) Term: **15 Years**
(21) Appl. No.: **35/501,410**
(22) Filed: **May 17, 2016**

D520,924 S 5/2006 Gotti et al.
D522,420 S 6/2006 Crippa et al.
D522,421 S 6/2006 Crippa et al.
D523,794 S 6/2006 Strumbo et al.
D555,555 S * 11/2007 Ikuzawa D12/180
D556,103 S * 11/2007 Morimoto D12/180
D588,513 S * 3/2009 Crippa D12/180
D600,613 S 9/2009 Jungmann et al.
D607,793 S * 1/2010 Maroni D12/180
D610,059 S * 2/2010 Azimonti D12/180
D610,507 S * 2/2010 Azimonti D12/180
D619,063 S * 7/2010 Veneziano D12/180
D623,102 S * 9/2010 Gherardi D12/180
D642,100 S * 7/2011 Crippa D12/180
D692,356 S 10/2013 Owen et al.
D700,551 S * 3/2014 Davenport, III D12/180
D739,319 S * 9/2015 Montgomery D12/180
D785,520 S * 5/2017 Bonetti D12/180

(80) **Hague Agreement Data**
Int. Filing Date: **May 17, 2016**
Int. Reg. No.: **DM/092004**
Int. Reg. Date: **May 17, 2016**
Int. Reg. Pub. Date: **Aug. 19, 2016**

(Continued)
Primary Examiner — Michael A Pratt
(74) *Attorney, Agent, or Firm* — Thomas I Horstemeyer,
LLP

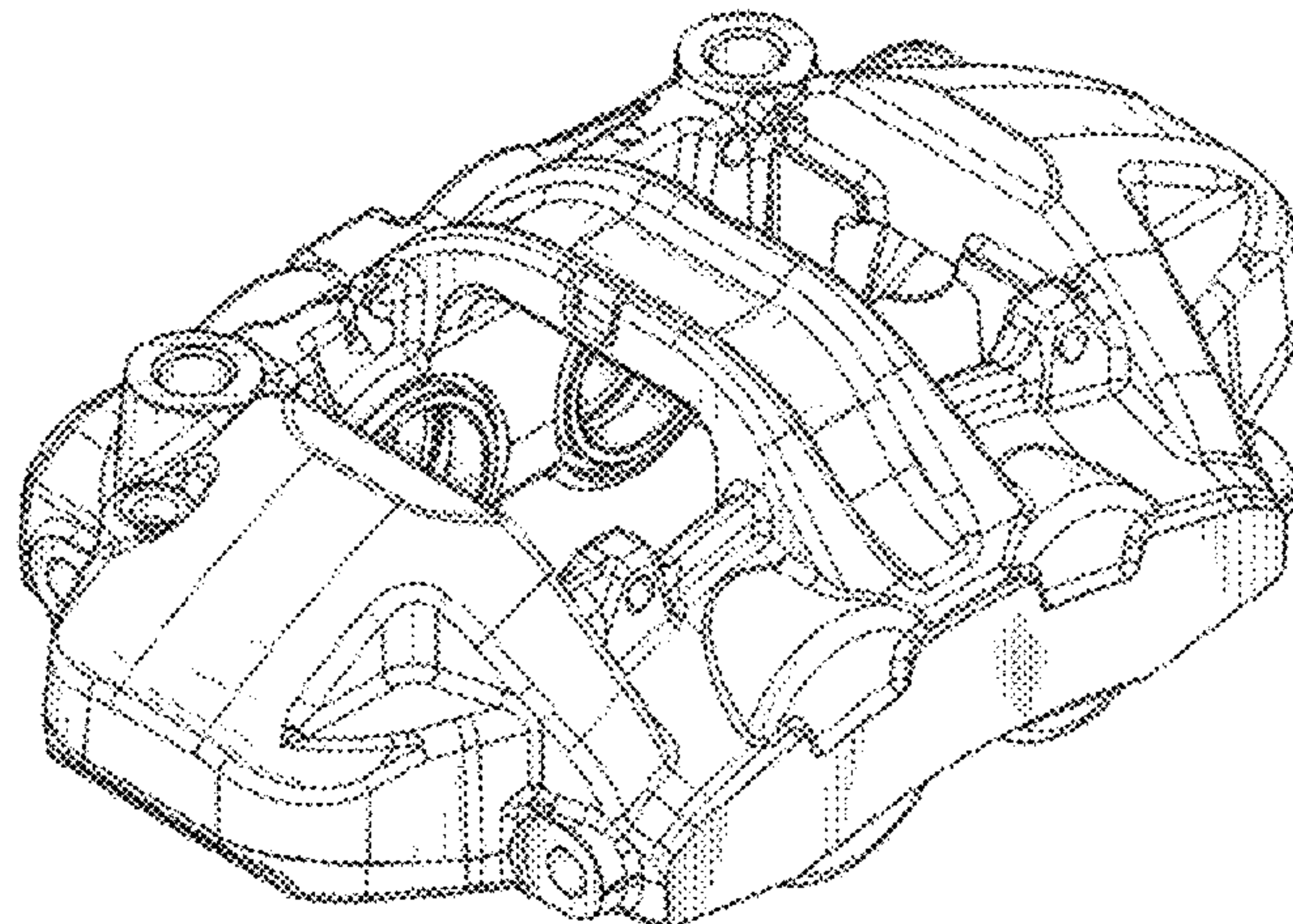
(30) **Foreign Application Priority Data**
Nov. 17, 2015 (IT) 402015000073434
(51) **LOC (11) Cl.** **12-16**
(52) **U.S. Cl.**
USPC **D12/180**
(58) **Field of Classification Search**
USPC D12/180
CPC B60T 13/686; B60T 13/588; B60T 8/4077;
B60T 13/142; B60T 13/585; B60T 13/745
See application file for complete search history.

(57) **CLAIM**
The ornamental design for a disc brake caliper, as shown and described.

(56) **References Cited**
U.S. PATENT DOCUMENTS
D373,340 S 9/1996 Sands
D442,900 S 5/2001 Separautzki
D506,714 S 6/2005 Ono
D508,000 S 8/2005 Schorn et al.
D512,352 S 12/2005 Veneziano et al.

DESCRIPTION
1.1 is a perspective view of a disc brake caliper showing our new design;
1.2 is another perspective view thereof, at a different angle than 1.1;
1.3 is another perspective view thereof, at a different angle than 1.1 and 1.2;
1.4 is another perspective view thereof, at a different angle than 1.1-1.3;
1.5 is a side view thereof;
1.6 is another side view thereof, opposite that of 1.5;
1.7 is a top view thereof;
1.8 is an end view thereof; and
1.9 is another end view thereof, opposite that of 1.8.

1 Claim, 9 Drawing Sheets



(56)

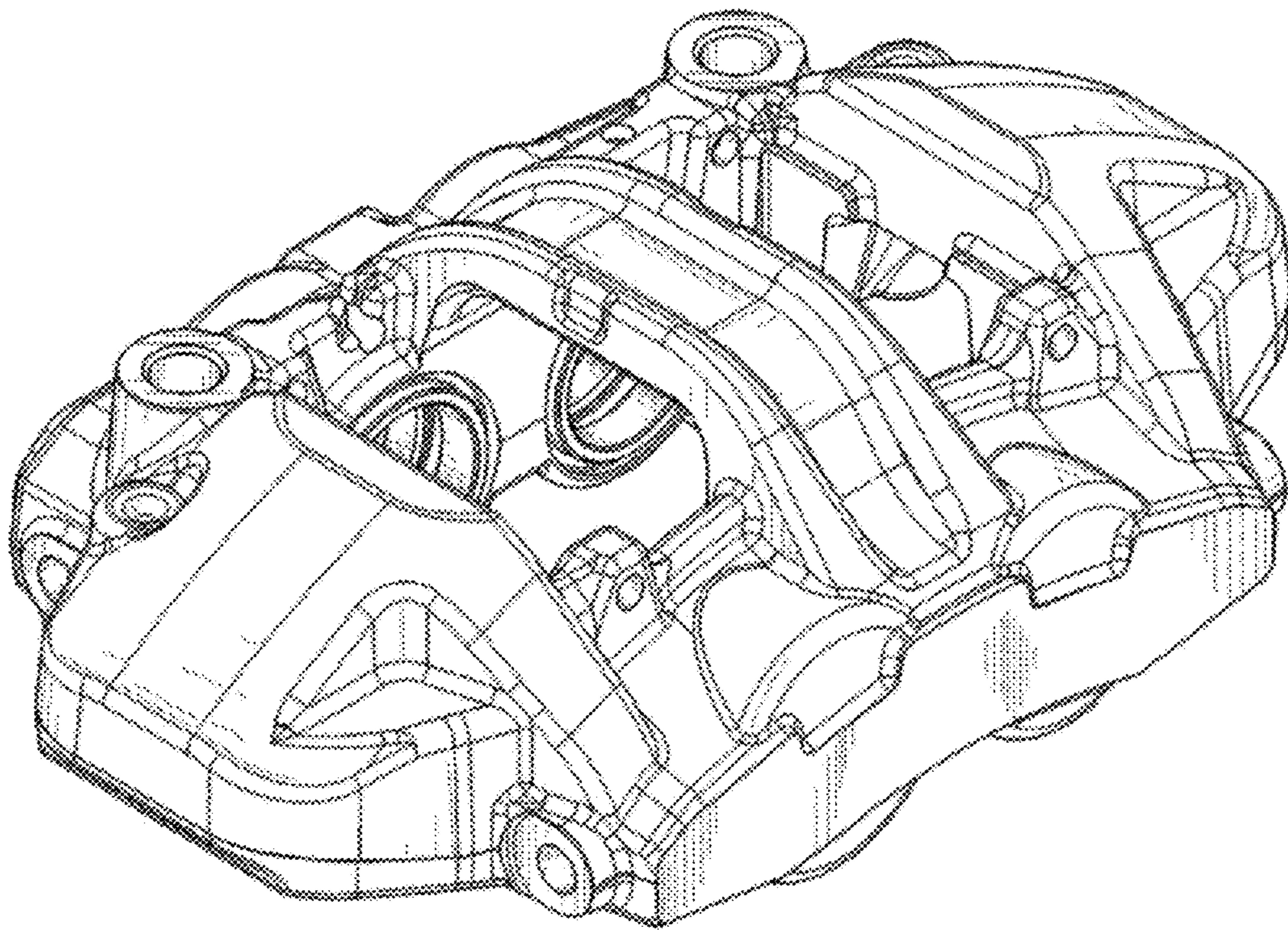
References Cited

U.S. PATENT DOCUMENTS

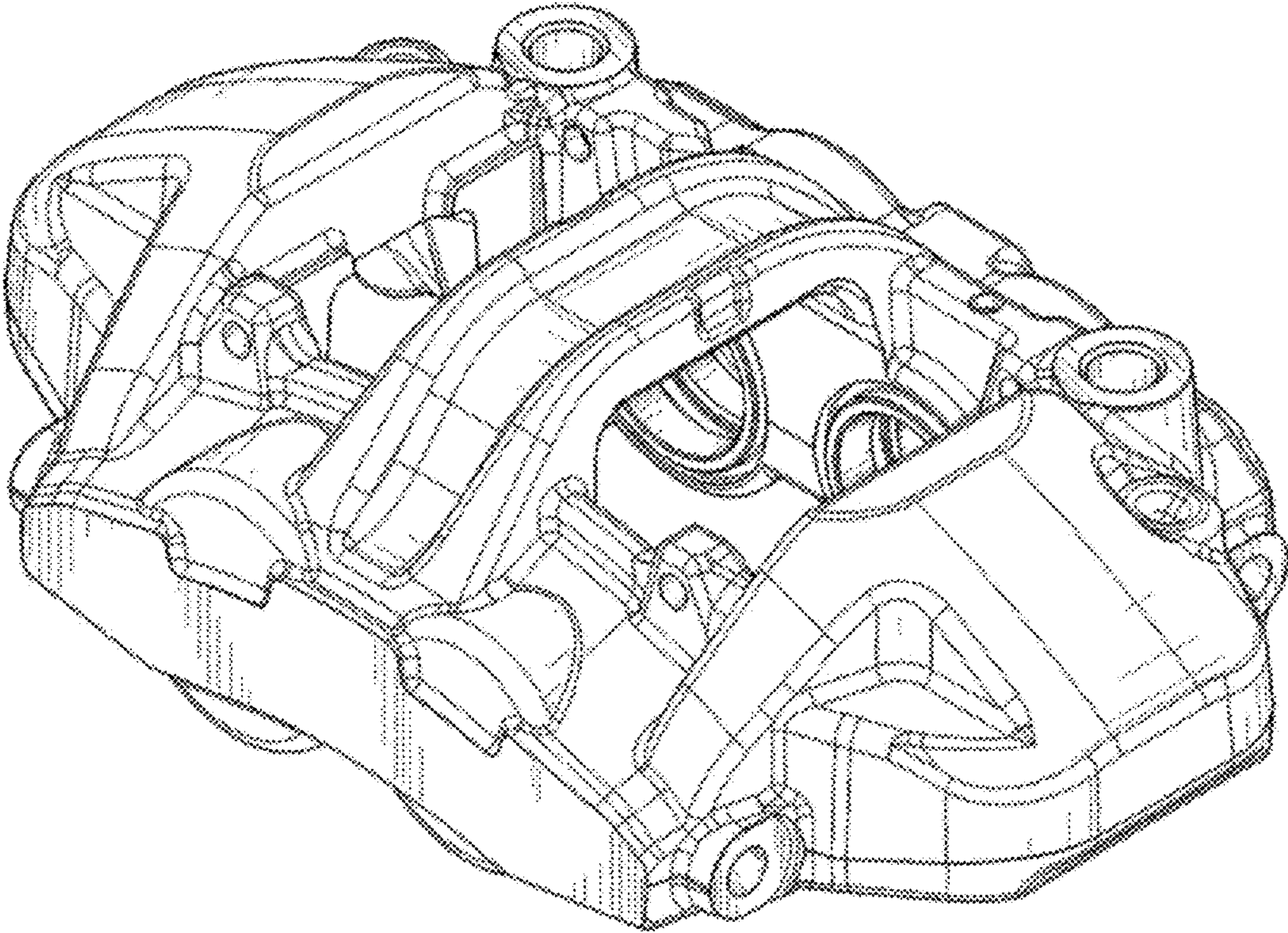
9,657,789	B2	5/2017	Castellana et al.	
D790,417	S *	6/2017	Bertone	D12/180
2013/0092481	A1	4/2013	Crippa et al.	
2015/0021124	A1	1/2015	Preda et al.	
2015/0027821	A1	1/2015	Nessi et al.	
2016/0003315	A1	1/2016	Crippa et al.	
2016/0053835	A1	2/2016	Castellana et al.	

* cited by examiner

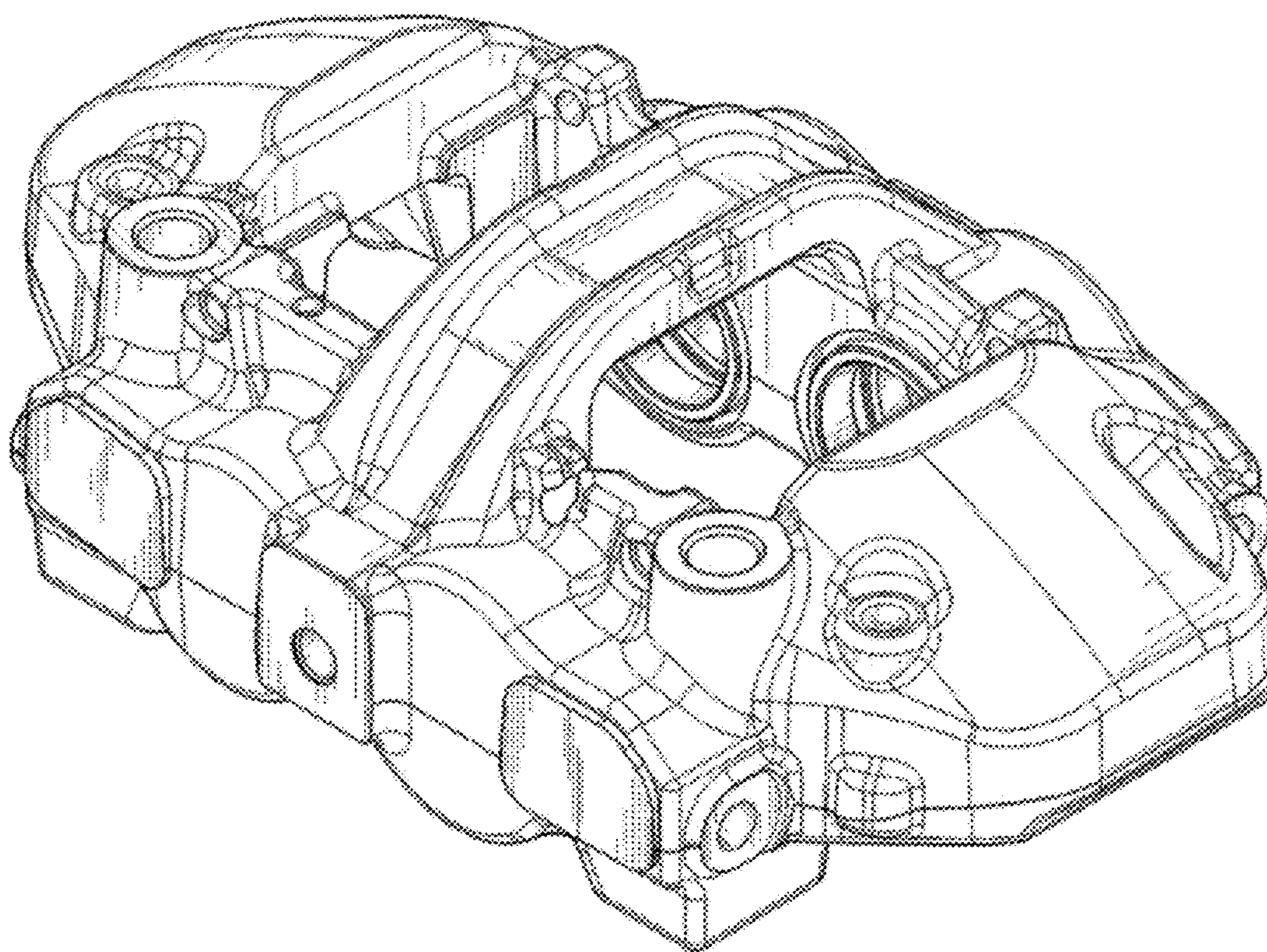
1.1



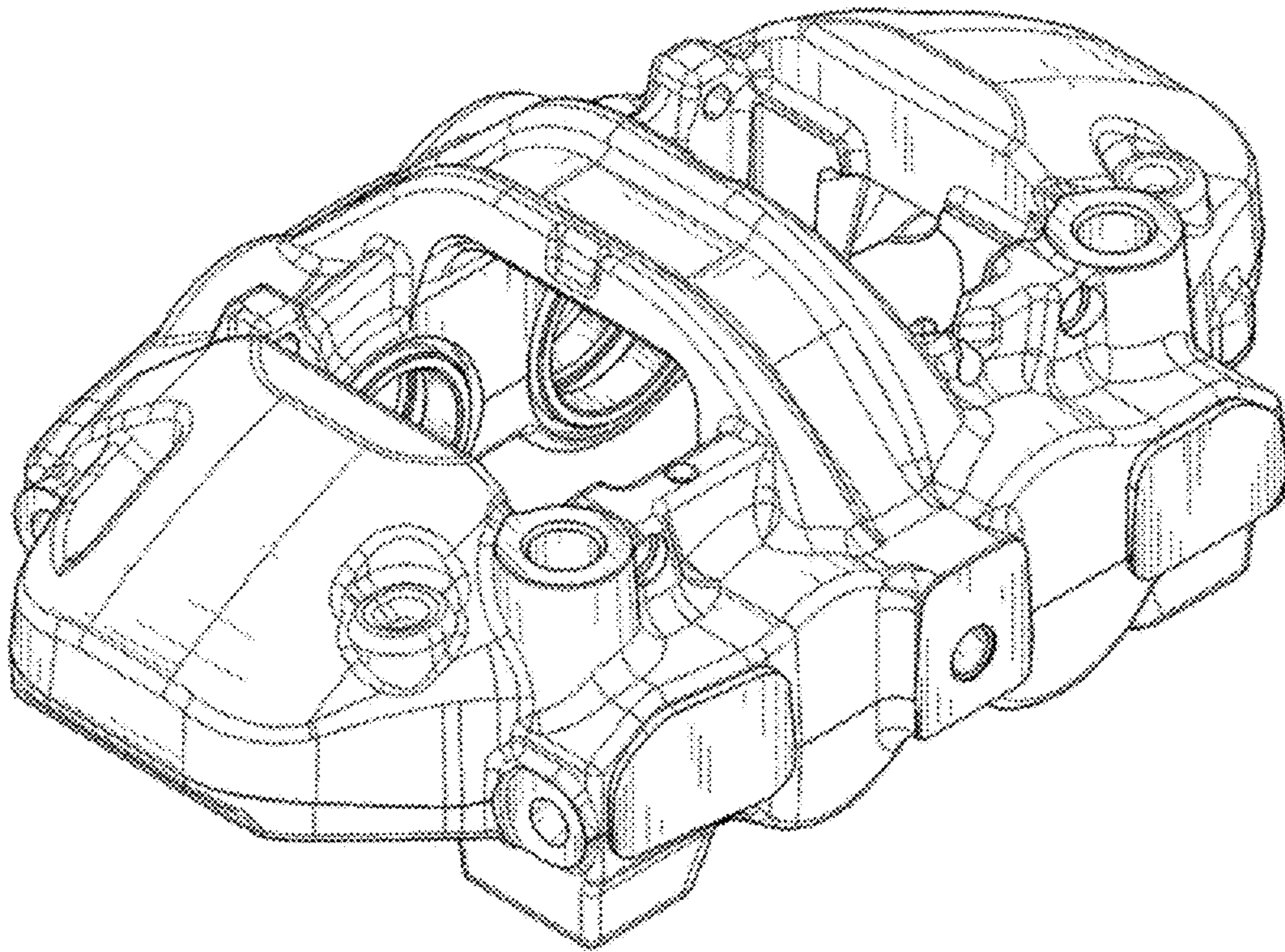
1.2



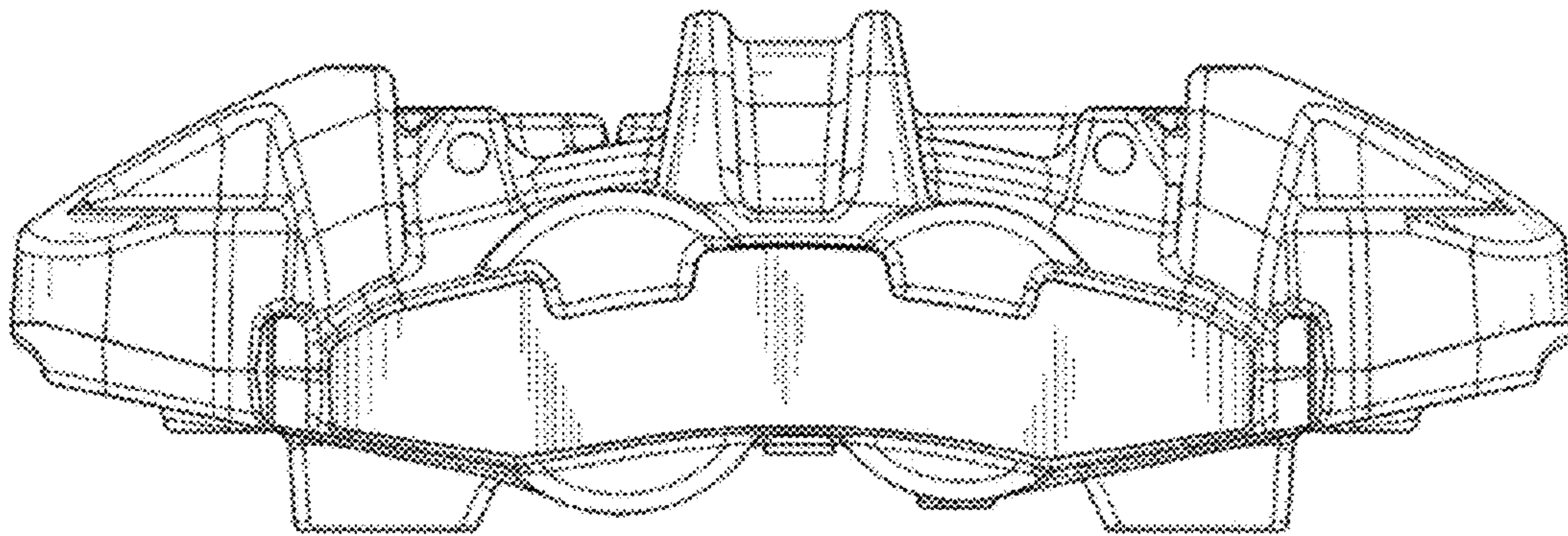
1.3



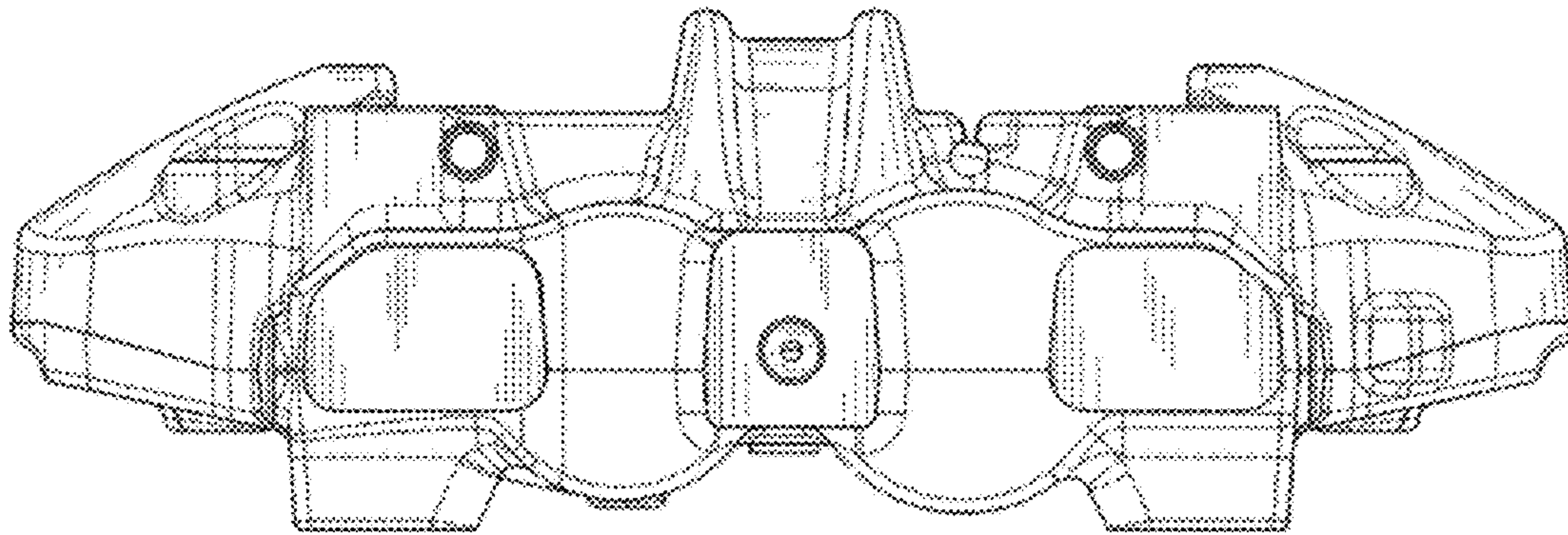
1.4



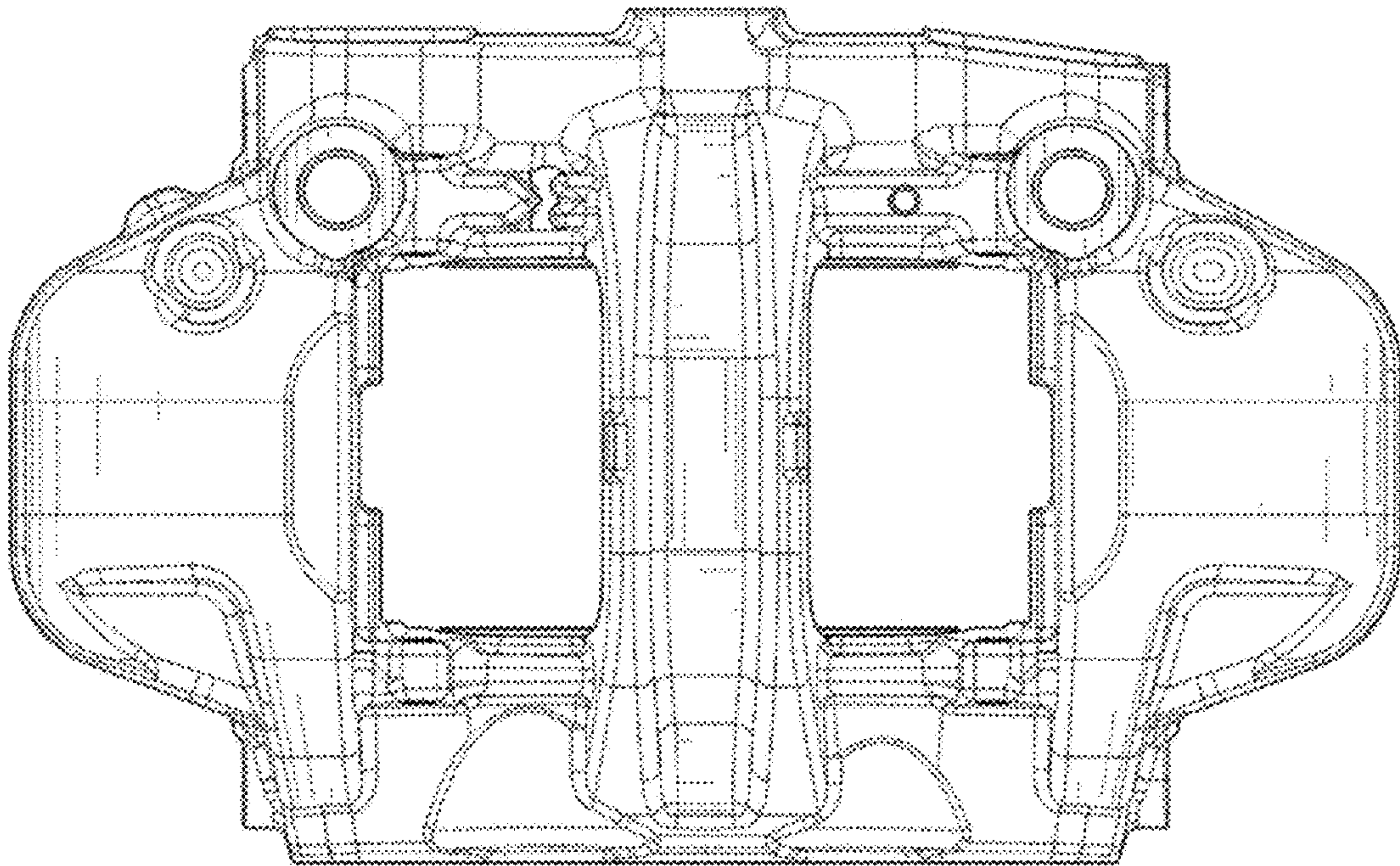
1.5



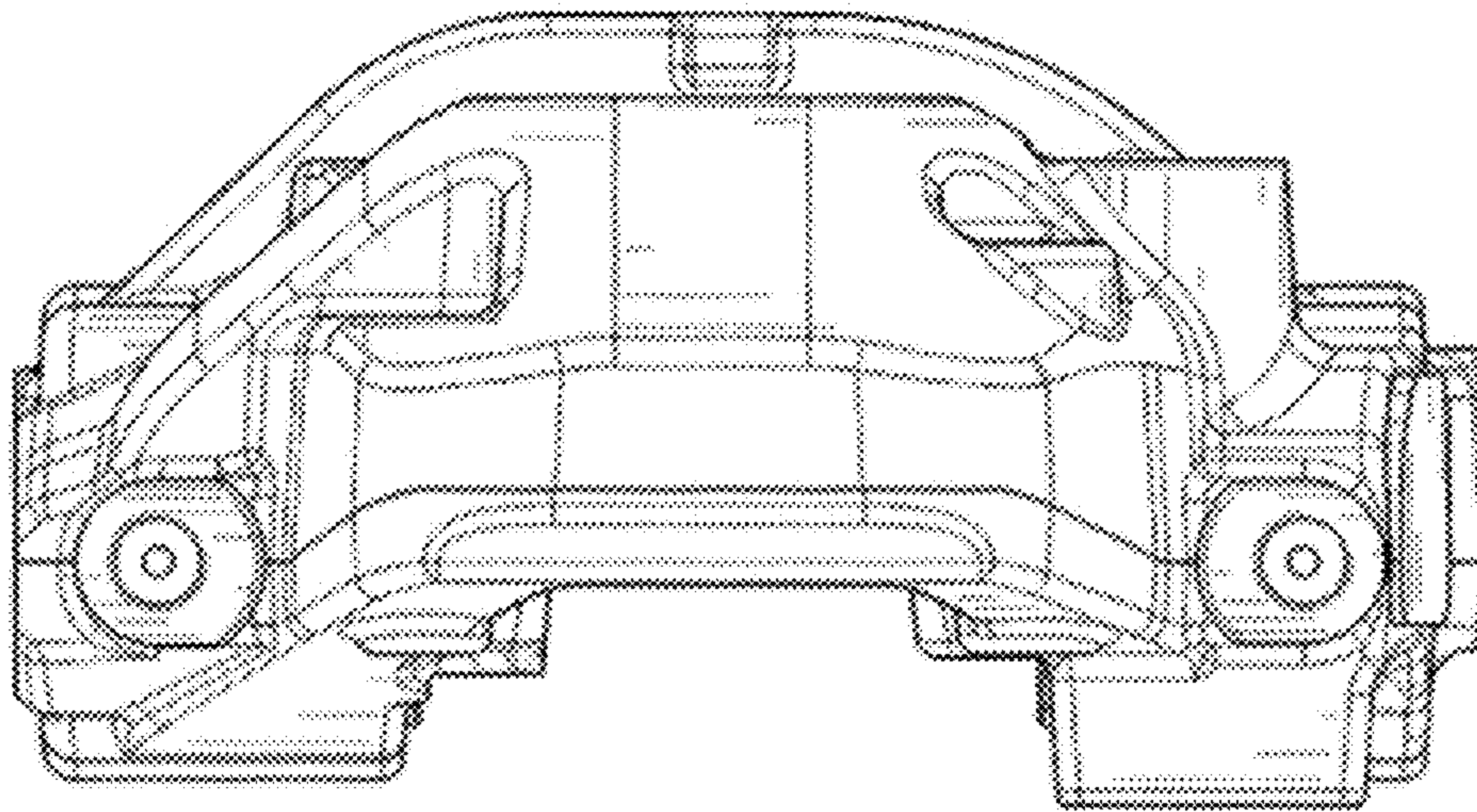
1.6



1.7



1.8



1.9

