



US00D813123S

(12) **United States Design Patent**  
**Allison**

(10) **Patent No.:** **US D813,123 S**  
(45) **Date of Patent:** **\*\* Mar. 20, 2018**

(54) **STEERING WHEEL FOR CAR AND/OR TOY**

(71) Applicant: **Ferrari S.p.A.**, Modena (IT)

(72) Inventor: **James Shakespeare Allison**, Maranello (IT)

(73) Assignee: **Ferrari S.p.A.**, Modena (IT)

(\*\*) Term: **15 Years**

(21) Appl. No.: **29/574,170**

(22) Filed: **Aug. 12, 2016**

(30) **Foreign Application Priority Data**

Feb. 15, 2016 (EM) ..... 002987123  
Feb. 15, 2016 (EM) ..... 002987537

(51) **LOC (11) Cl.** ..... **12-16**

(52) **U.S. Cl.**  
USPC ..... **D12/175**

(58) **Field of Classification Search**

USPC ..... D12/175, 176, 177; D14/401, 414;  
D21/333, 385, 477, 566; 74/552, 558;  
340/475, 476, 477; 434/69, 70, 71;  
70/62  
CPC . B60K 37/06; B60D 1/04; B60D 1/16; B60Q  
1/1461; B60R 16/037  
See application file for complete search history.

(56) **References Cited**

**U.S. PATENT DOCUMENTS**

D506,231 S \* 6/2005 Gollhofer ..... D21/566  
D509,218 S \* 9/2005 Henderson ..... D14/401

D548,653 S \* 8/2007 Costa ..... D12/176  
D585,895 S \* 2/2009 Hu ..... D14/401  
D592,114 S \* 5/2009 Tombazis ..... D12/176  
D627,831 S \* 11/2010 Tombazis ..... D21/333  
D657,923 S \* 4/2012 Dammkoehler ..... D32/28  
D679,228 S \* 4/2013 Balko ..... D12/175  
D685,434 S \* 7/2013 Ali ..... D14/401  
D715,296 S \* 10/2014 Huang ..... D14/401  
9,073,509 B2 \* 7/2015 Pohanka ..... B60R 21/21658  
D735,721 S \* 8/2015 Mar ..... D14/401  
D769,781 S \* 10/2016 Allison ..... D12/175  
D776,023 S \* 1/2017 Allison ..... D12/175  
D787,994 S \* 5/2017 Carbone ..... D12/175

\* cited by examiner

*Primary Examiner* — Ian Simmons

*Assistant Examiner* — Yolanda Robinson

(74) *Attorney, Agent, or Firm* — Cowan, Liebowitz & Latman P.C.

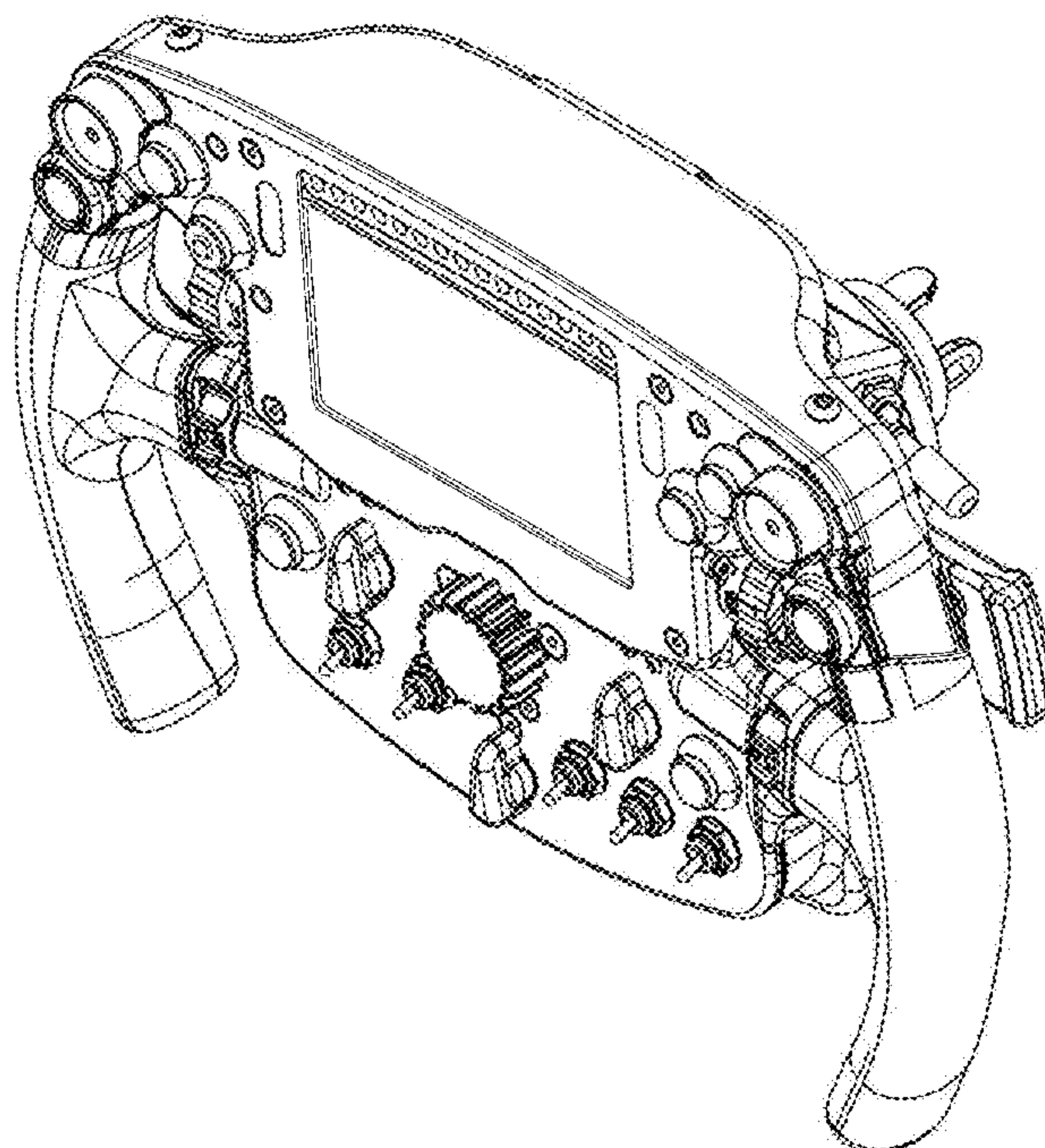
(57) **CLAIM**

The ornamental design for a steering wheel for car and/or toy, as shown and described.

**DESCRIPTION**

FIG. 1 is a front perspective view of the steering wheel for car and/or toy showing my design thereof;  
FIG. 2 is a front view thereof;  
FIG. 3 is a rear view thereof;  
FIG. 4 is a left side lateral view thereof;  
FIG. 5 is a right side lateral view thereof;  
FIG. 6 is a top plan view thereof; and,  
FIG. 7 is a bottom view thereof.

**1 Claim, 7 Drawing Sheets**



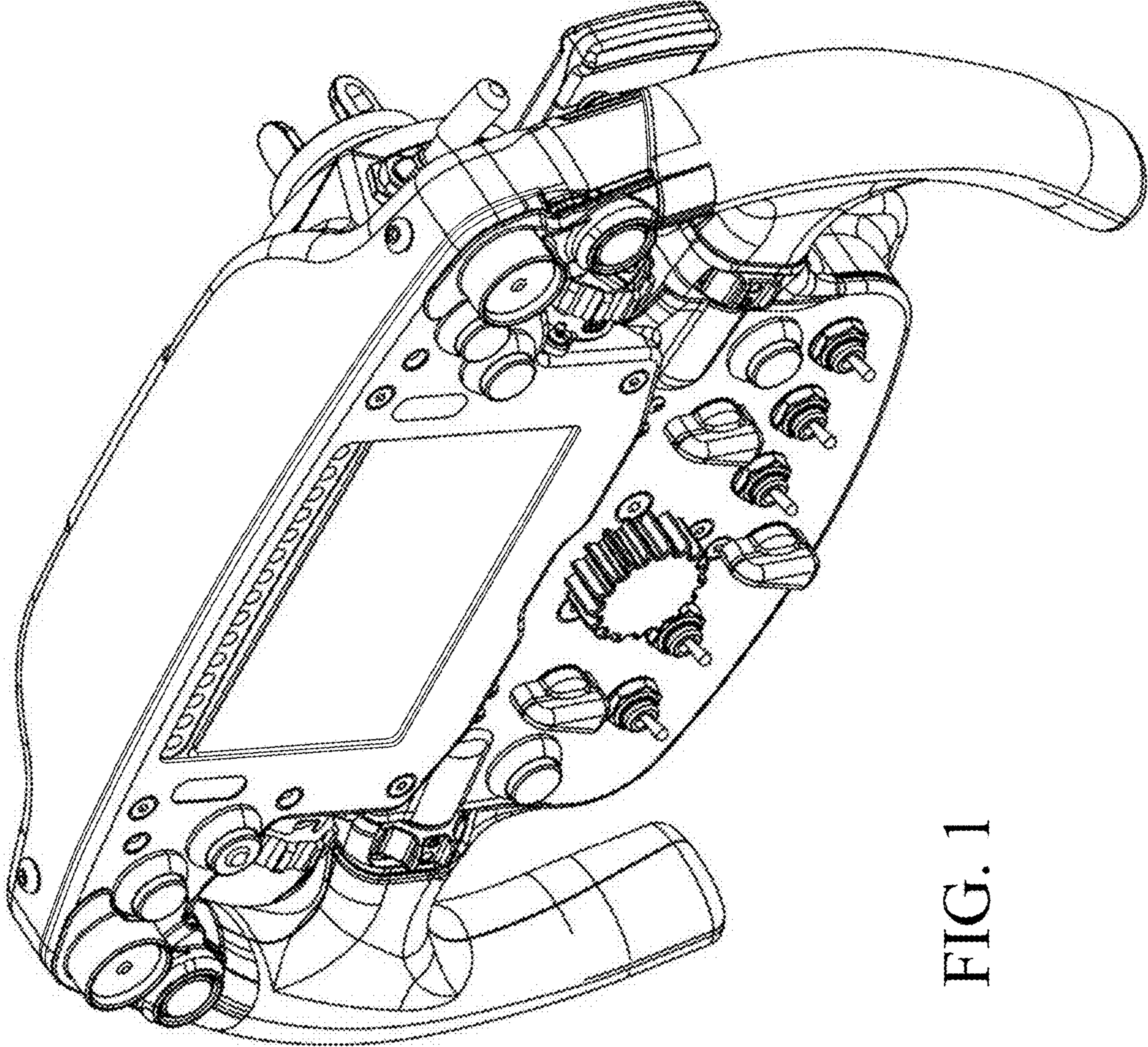


FIG. 1



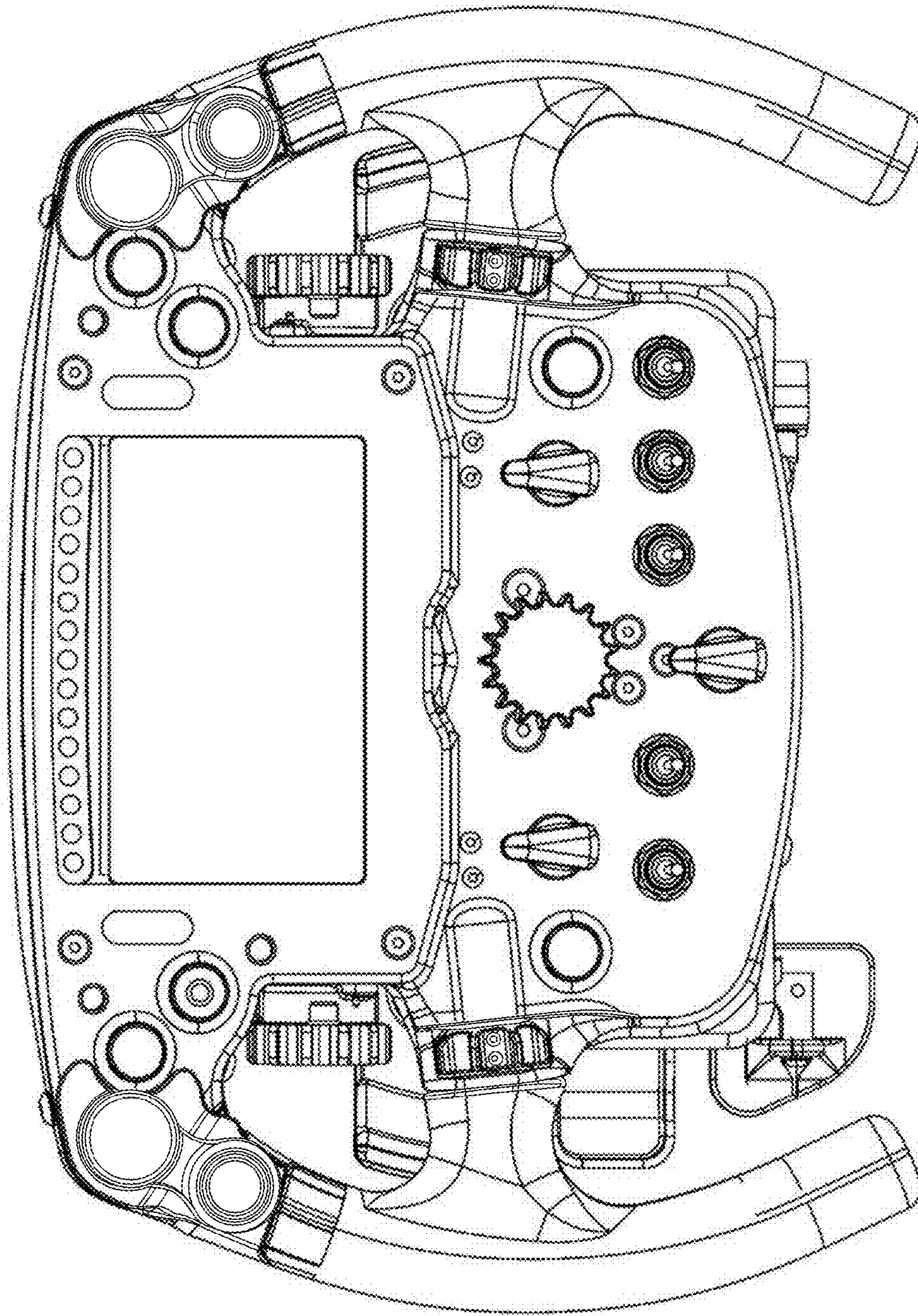


FIG. 2



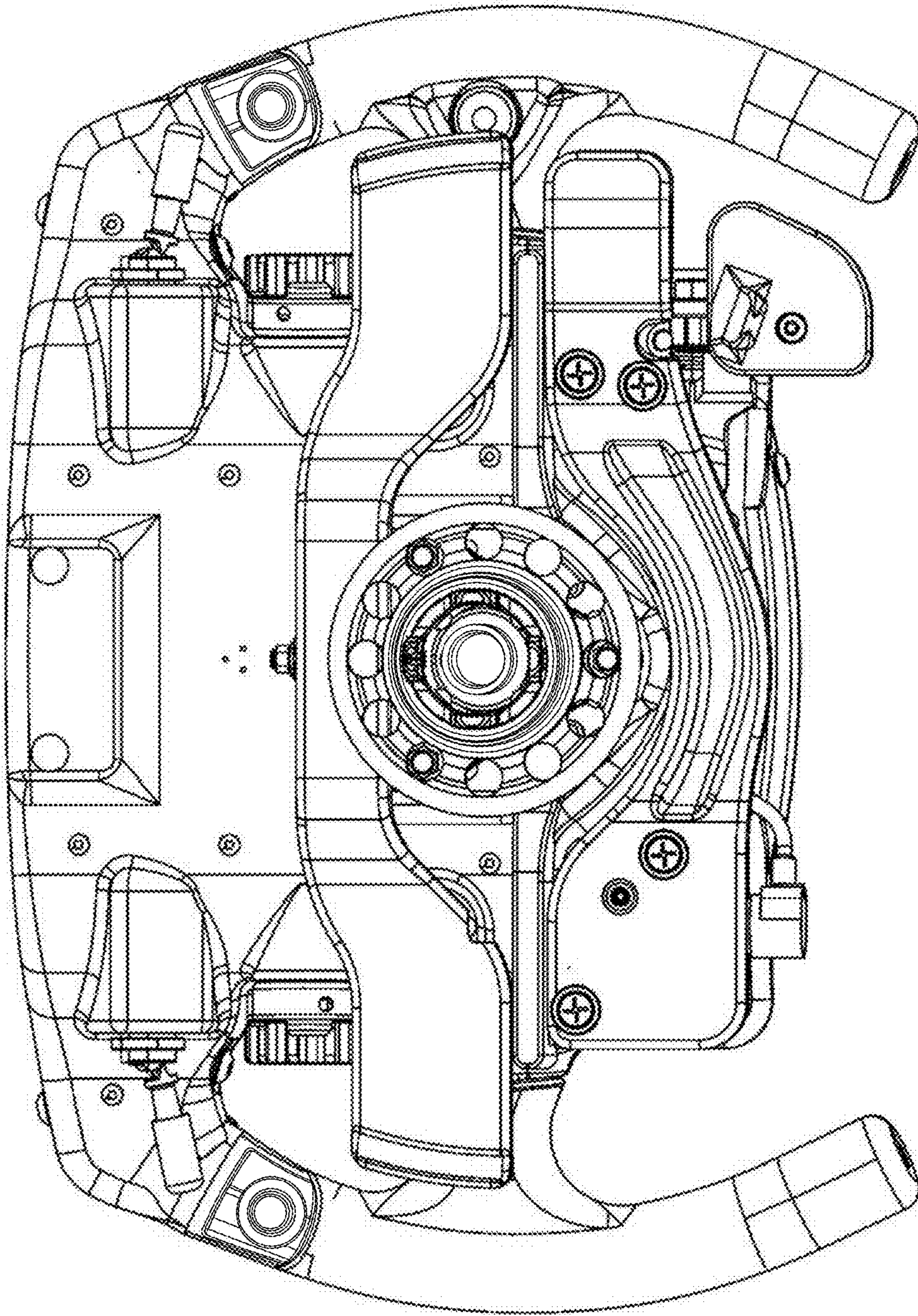


FIG. 3



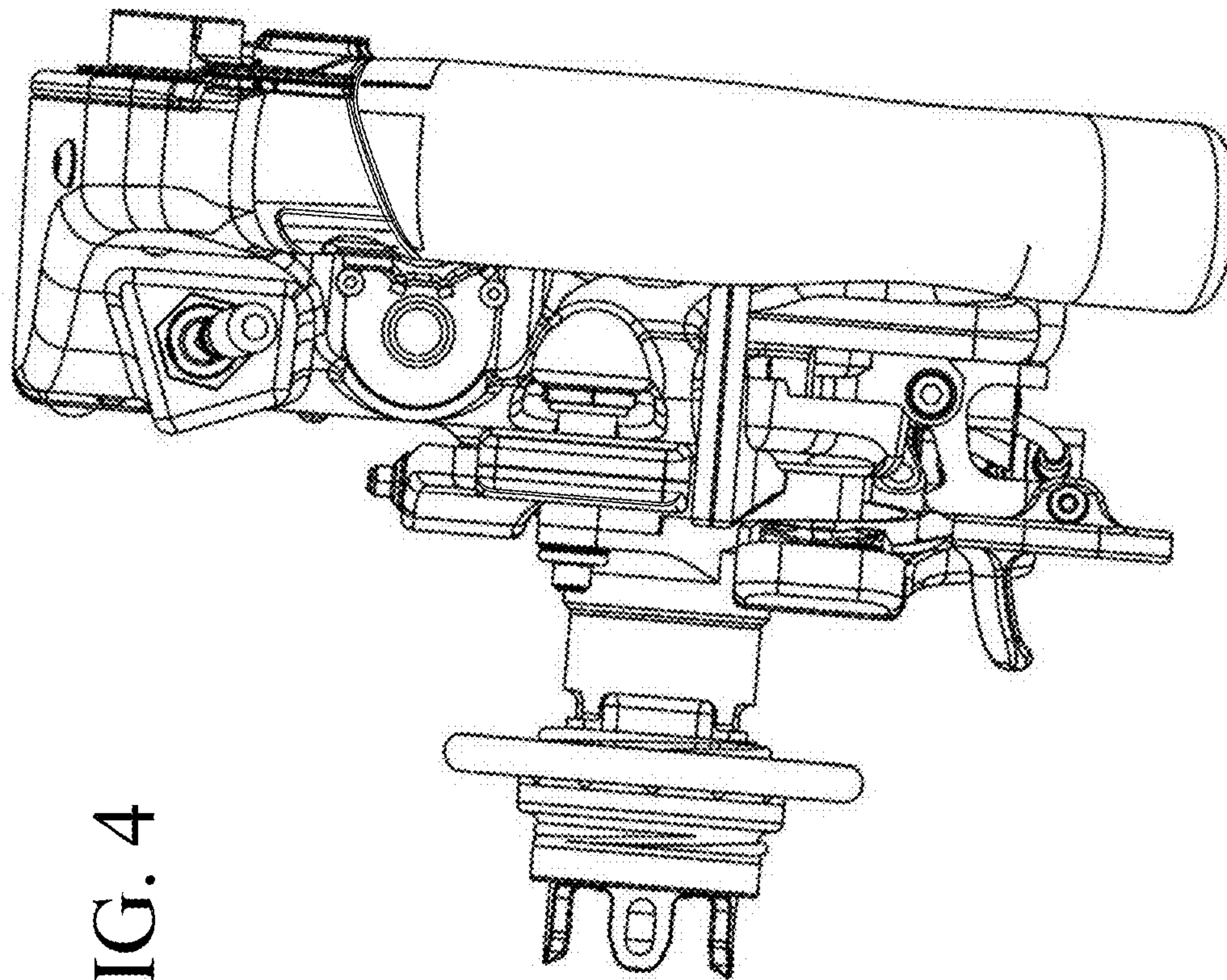
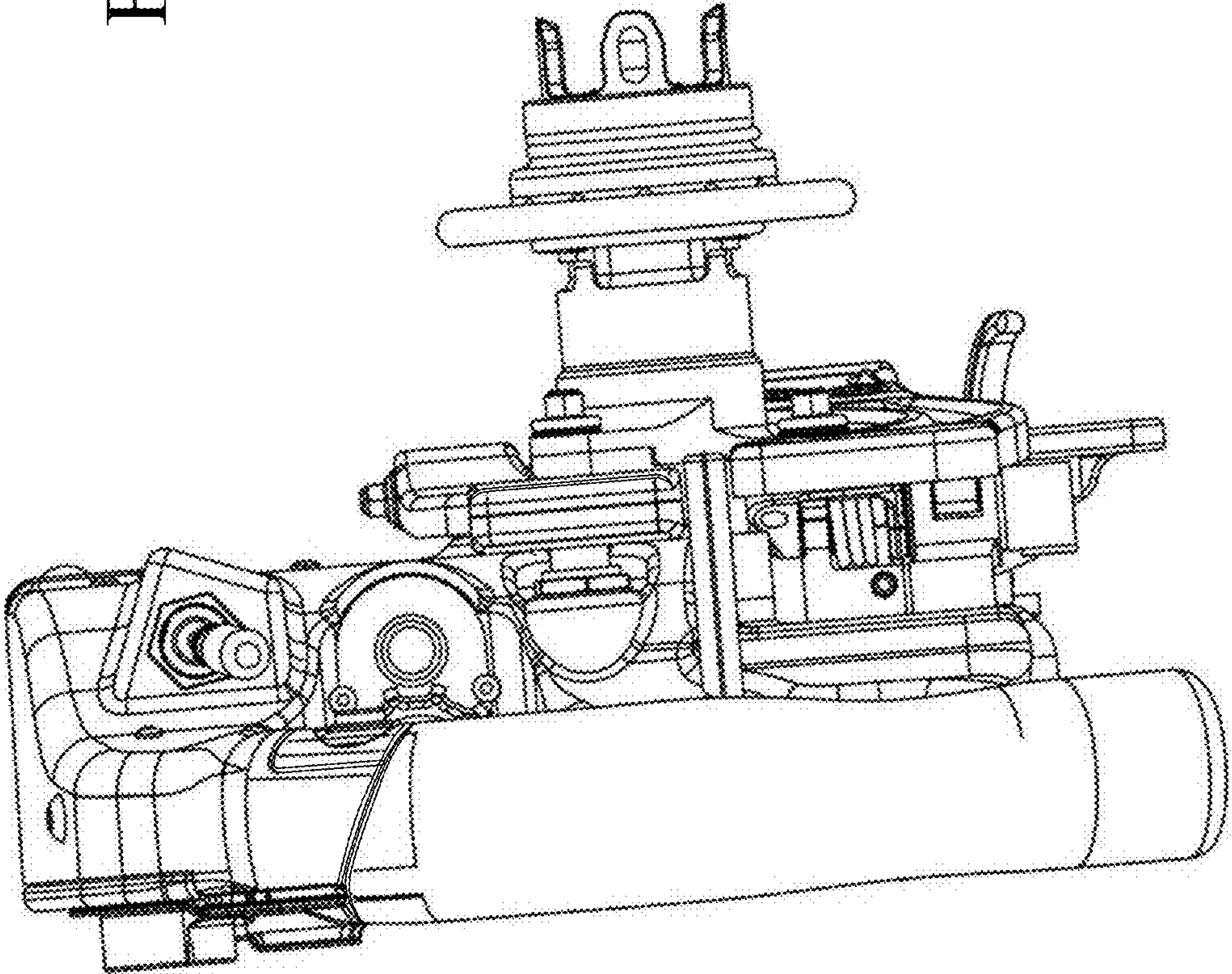


FIG. 4

FIG. 5





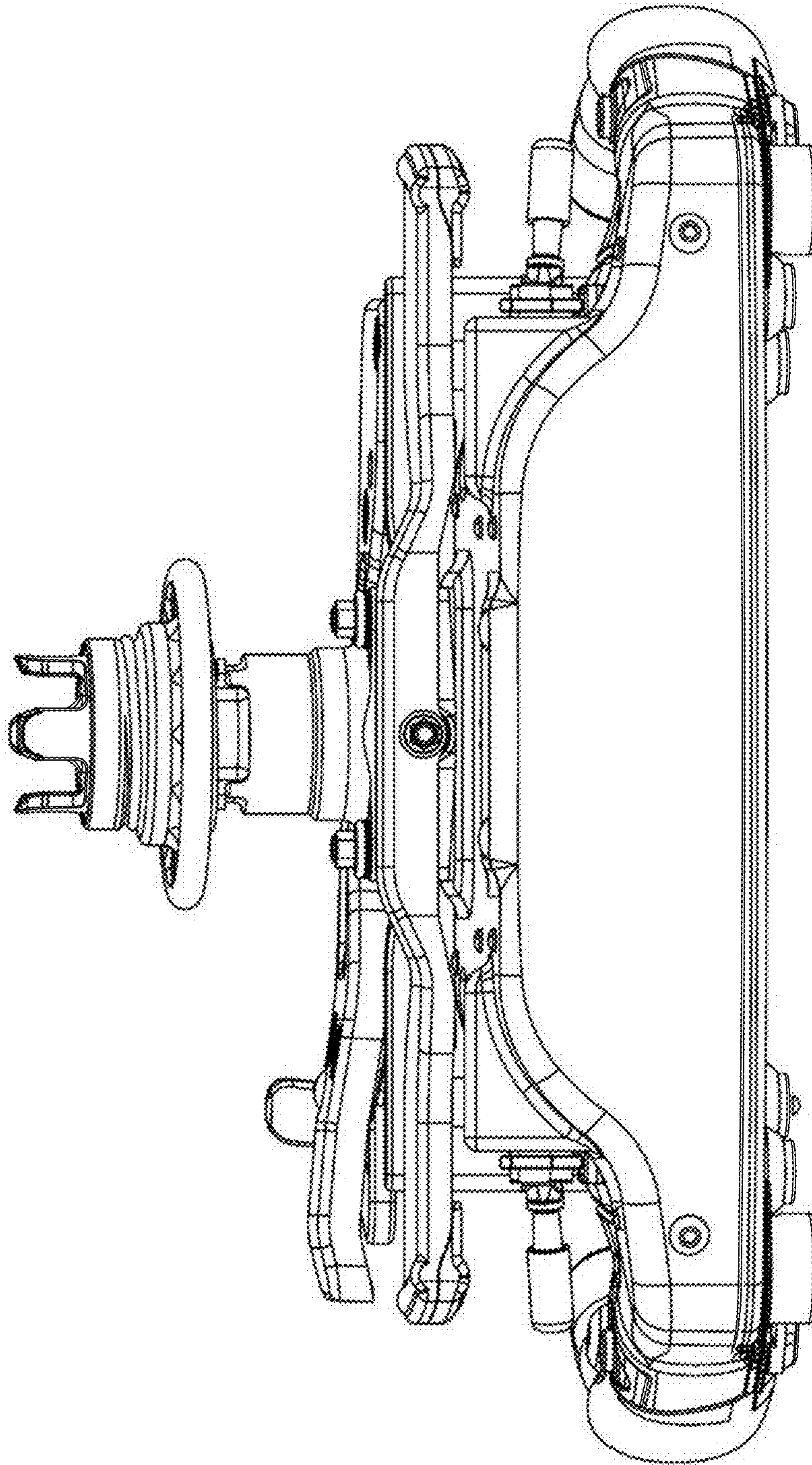


FIG. 6

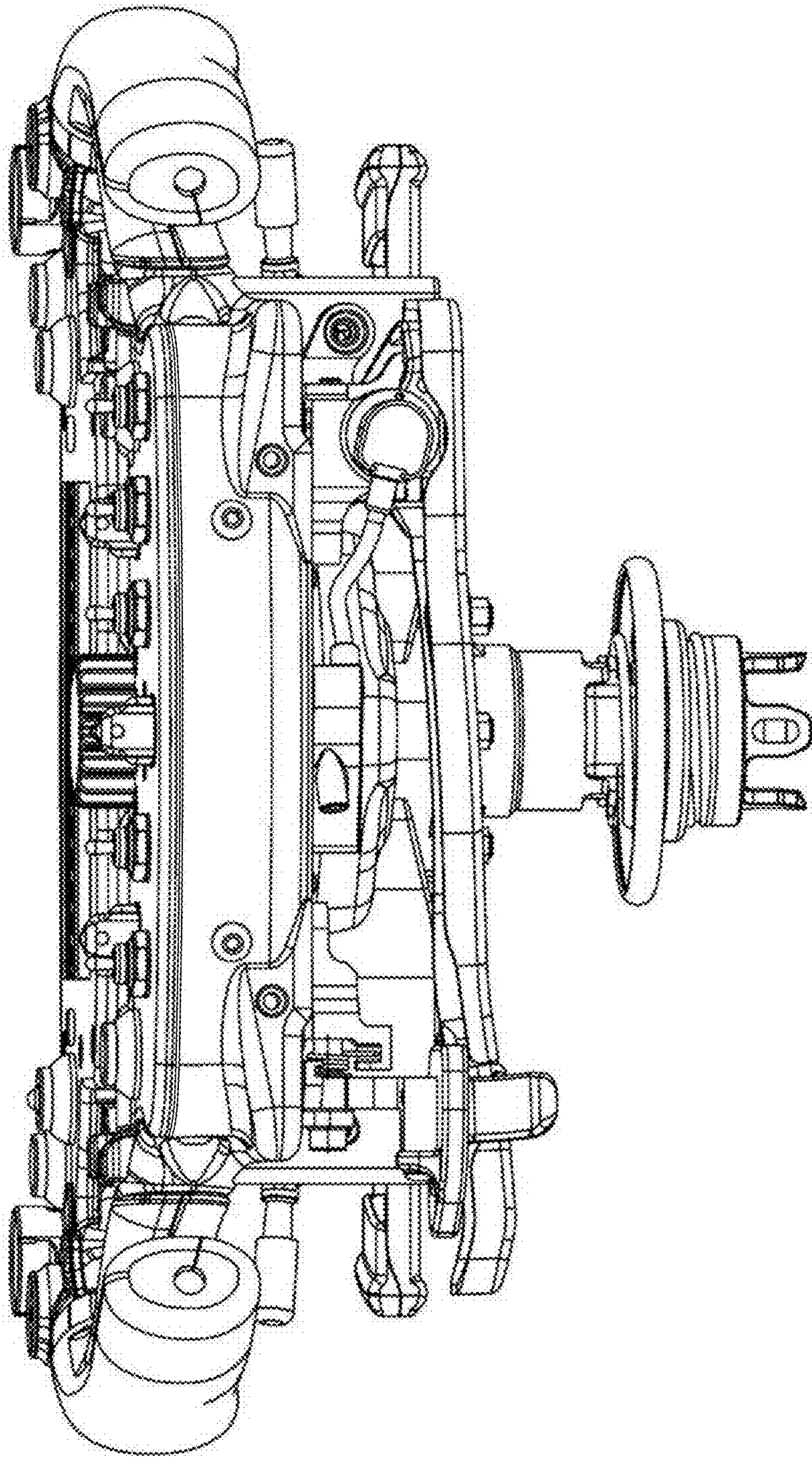


FIG. 7