



US00D813122S

(12) **United States Design Patent**
Johnson et al.

(10) **Patent No.:** **US D813,122 S**
(45) **Date of Patent:** **** Mar. 20, 2018**

- (54) **ERGONOMIC PEDAL**
- (71) Applicants: **Paul R. Johnson**, Brentwood, TN (US);
Robert E. Johnson, Hendersonville,
TN (US)
- (72) Inventors: **Paul R. Johnson**, Brentwood, TN (US);
Robert E. Johnson, Hendersonville,
TN (US)
- (73) Assignee: **Johnson Technologies Corporation**,
Nashville, TN (US)
- (**) Term: **14 Years**
- (21) Appl. No.: **29/474,669**
- (22) Filed: **Dec. 22, 2014**
- (51) **LOC (11) Cl.** **12-16**
- (52) **U.S. Cl.**
USPC **D12/174**
- (58) **Field of Classification Search**
USPC D12/114, 121, 125, 174, 179, 180, 203,
D12/400, 415
CPC Y10T 74/20534; Y10T 74/20888; Y10T
428/24008; Y10T 428/169; Y10T 74/209;
Y10T 74/20912; Y10T 428/24479; Y10T
428/24355; Y10T 428/24025; Y10T
428/24017; Y10T 428/24; B32B
2266/0235; B32B 2266/0278; B32B
2307/102; B32B 2419/04; B32B 2471/04
See application file for complete search history.

- 1,395,781 A * 11/1921 Williams G05G 1/30
15/265
- 1,494,983 A * 5/1924 Sinclair G05G 1/483
74/563
- 1,714,655 A * 5/1929 Becker G05G 1/60
296/75
- 1,926,872 A * 9/1933 Johnson D05B 69/18
74/515 R
- 1,977,415 A * 10/1934 Thorp G05G 1/483
482/79

(Continued)

OTHER PUBLICATIONS

Double Bass Drum Pedal, image post date Mar. 25, 2013, site visited Sep. 6, 2016, (online), <http://web.archive.org/web/20130325002745/http://www.off-set.net/Off-Set/Double_Bass_Drum_Pedal.html>.*

Primary Examiner — Kevin Rudzinski
Assistant Examiner — Sean D Lough
(74) *Attorney, Agent, or Firm* — Carrithers Law Office,
PLLC

(57) **CLAIM**

The ornamental design for an ergonomic pedal, as shown and described.

DESCRIPTION

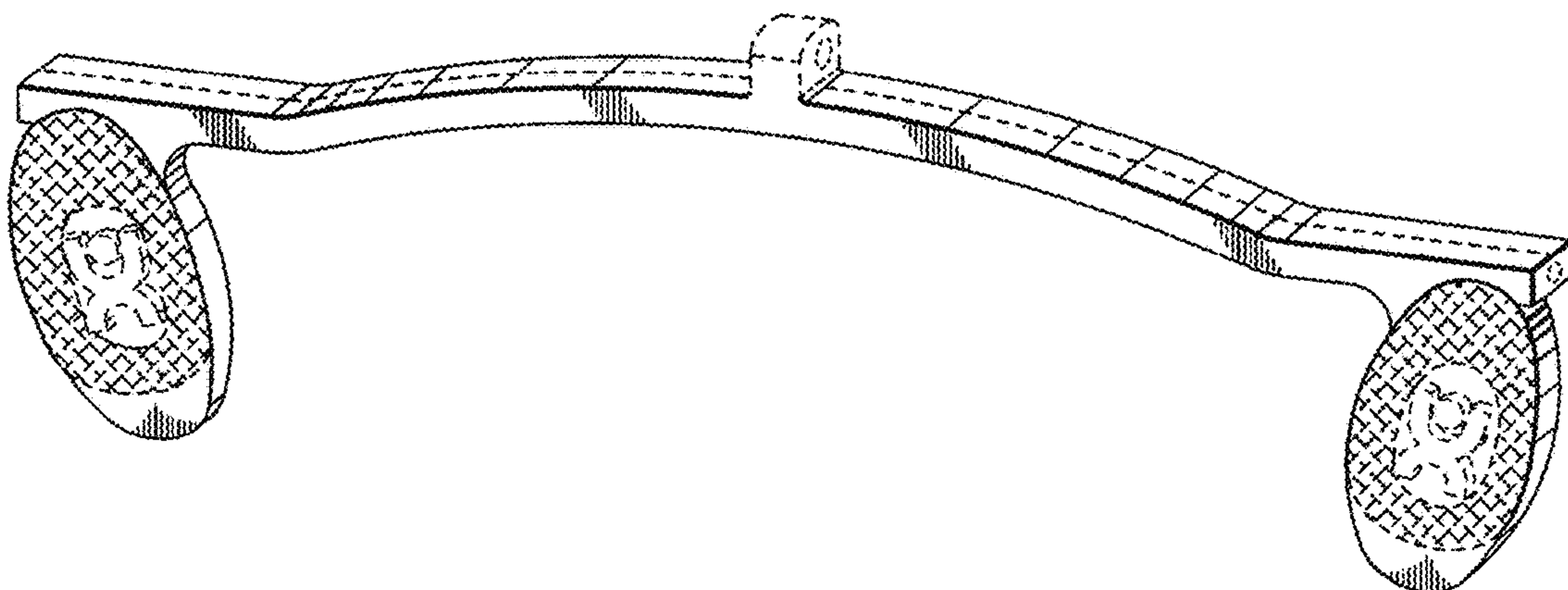
FIG. 1 is a perspective view of an ergonomic pedal showing my new design;
FIG. 2 is a front plan view thereof;
FIG. 3 is a back plan view thereof;
FIG. 4 is a right side view thereof;
FIG. 5 is a left side view thereof;
FIG. 6 is a top plan view thereof; and,
FIG. 7 is a bottom plan view thereof.
The broken lines shown in all of the figures illustrate portions of the ergonomic pedal that form no part of the claimed design. The broken lines showing the textured top surface of the ergonomic pedal represents environment and does not form a part of the claimed design.

1 Claim, 2 Drawing Sheets

(56) **References Cited**

U.S. PATENT DOCUMENTS

- 349,986 A * 9/1886 Dickey B60R 3/002
15/237
- D43,657 S * 2/1913 Waldman D12/174
- 1,346,361 A * 7/1920 Williams G05G 1/487
74/562
- 1,388,935 A * 8/1921 De Tamble G05G 1/483
15/265



(56)

References Cited

U.S. PATENT DOCUMENTS

2,589,975 A * 3/1952 Sprinkel G05G 1/34
74/478
2,961,756 A * 11/1960 Johnson B21D 51/40
29/235
3,224,294 A * 12/1965 Gresham B60K 23/00
74/560
D243,236 S * 2/1977 Vachon D12/114
D296,431 S * 6/1988 Yont D12/203
5,351,571 A * 10/1994 Johnson G05G 1/36
74/478
5,580,128 A * 12/1996 Johnson A47C 7/021
297/312
D432,477 S * 10/2000 Gorodetsky D12/203
D443,852 S * 6/2001 Huang D12/190
D450,025 S * 11/2001 Lu D12/203
D522,423 S * 6/2006 Hesse D12/181
D573,927 S * 7/2008 Jones D12/179
D597,018 S * 7/2009 Gulley D12/400
D613,652 S * 4/2010 Ebert D12/180
D644,150 S * 8/2011 Edick D12/162
D646,342 S * 10/2011 John D21/685
D652,356 S * 1/2012 Lindloff D12/119
D666,125 S * 8/2012 Dunn D11/184

D667,822 S * 9/2012 Li D14/248
D684,510 S * 6/2013 Nosworthy D12/174
D693,825 S * 11/2013 Weckert D14/447
D708,388 S * 7/2014 Lee D26/120
9,062,464 B2 * 6/2015 Fernback B32B 27/08
D735,555 S * 8/2015 Tajdus D8/354
9,109,696 B2 * 8/2015 Heurich F16H 61/28
D757,630 S * 5/2016 Boyce D12/223
D758,097 S * 6/2016 Calkins D6/582
D758,283 S * 6/2016 Sautter D12/415
D759,569 S * 6/2016 Kasparian D12/345
D762,536 S * 8/2016 Wurzer D12/174
D762,736 S * 8/2016 Niakan D15/5
D763,011 S * 8/2016 Calkins D6/582
D763,600 S * 8/2016 Huss D6/582
2009/0033770 A1 * 2/2009 Johnson A61B 5/1113
348/231.99
2009/0235777 A1 * 9/2009 Sand B60R 21/01
74/560
2011/0185843 A1 * 8/2011 Soltys B60T 7/042
74/560
2015/0075318 A1 * 3/2015 Johnson G05G 1/44
74/514
2016/0167336 A1 * 6/2016 Shuert B32B 3/30
428/178

* cited by examiner

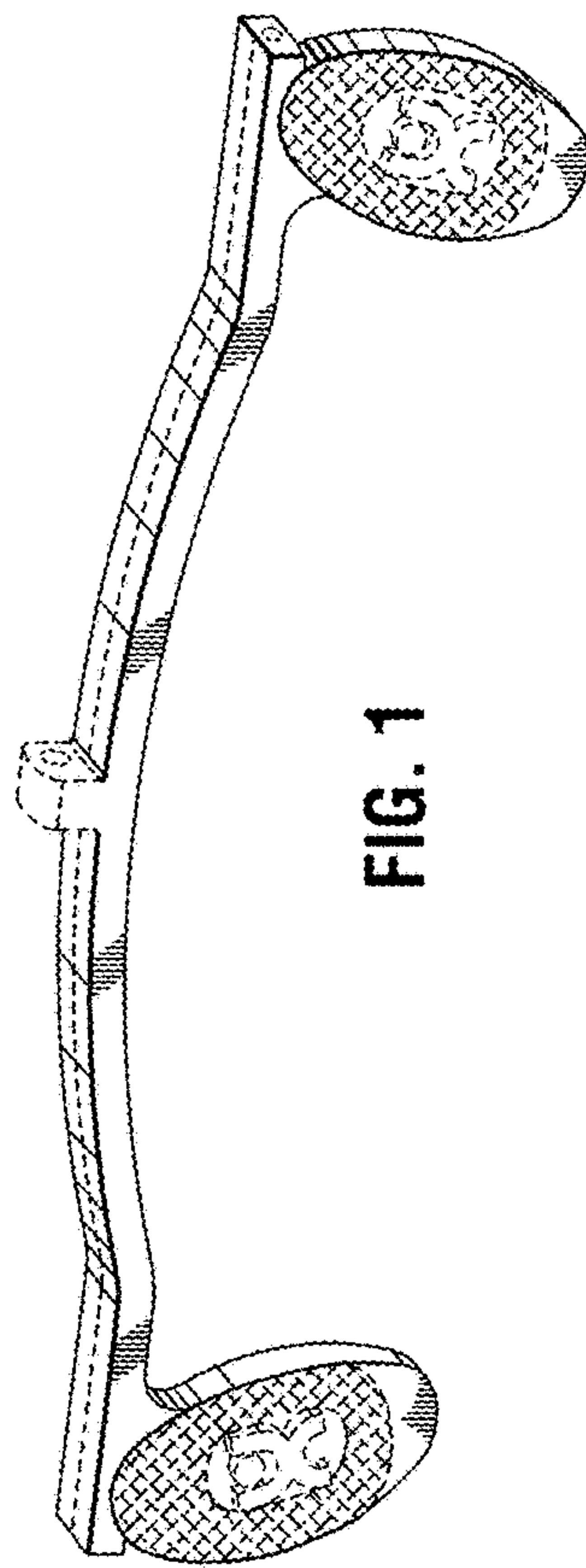


FIG. 1



FIG. 2



FIG. 3



FIG. 4

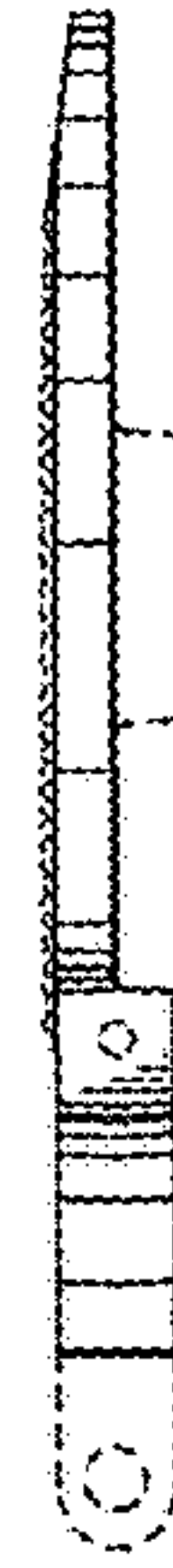


FIG. 5

