



US00D813120S

(12) **United States Design Patent**
Kim

(10) **Patent No.:** **US D813,120 S**

(45) **Date of Patent:** **** Mar. 20, 2018**

(54) **HOOD PANEL OF CAR**

(71) Applicant: **GM GLOBAL TECHNOLOGY OPERATIONS LLC**, Detroit, MI (US)

(72) Inventor: **Sanghyun Kim**, Incheon (KR)

(73) Assignee: **GM GLOBAL TECHNOLOGY OPERATIONS LLC**, Detroit, MI (US)

(**) Term: **15 Years**

(21) Appl. No.: **29/578,064**

(22) Filed: **Sep. 19, 2016**

(30) **Foreign Application Priority Data**

Mar. 18, 2016 (KR) 30-2016-0012824

(51) **LOC (11) Cl.** **12-08**

(52) **U.S. Cl.**
USPC **D12/173**

(58) **Field of Classification Search**
USPC D12/173, 90-92, 181, 196
CPC B60R 2021/343
See application file for complete search history.

(56) **References Cited**

U.S. PATENT DOCUMENTS

D627,281 S * 11/2010 Yoshida D12/173
D651,144 S * 12/2011 Okumoto D12/173

D659,612 S * 5/2012 Matsumoto D12/173
D662,013 S * 6/2012 Hakamata D12/173
D683,286 S * 5/2013 Fuchigami D12/173
D718,686 S * 12/2014 Hammoud D12/173
D722,928 S * 2/2015 George D12/173
D746,740 S * 1/2016 Wolff D12/173
D748,545 S * 2/2016 Behmer D12/173
D765,568 S * 9/2016 Frascella D12/173
D777,622 S * 1/2017 Kozub D12/173
D778,792 S * 2/2017 Kim D12/173
D779,398 S * 2/2017 Platto D12/173

* cited by examiner

Primary Examiner — John Windmuller

Assistant Examiner — Melvin L Davis

(74) *Attorney, Agent, or Firm* — Browdy and Neimark, PLLC

(57) **CLAIM**

The ornamental design for a hood panel of car, as shown and described.

DESCRIPTION

FIG. 1 is a perspective view of new design for a hood panel of car as shown in the drawings;
FIG. 2 is a front elevation view thereof;
FIG. 3 is a rear elevation view thereof;
FIG. 4 is a left side elevation view thereof;
FIG. 5 is a right side elevation view thereof;
FIG. 6 is a top plan view thereof; and,
FIG. 7 is a bottom plan view thereof.

1 Claim, 7 Drawing Sheets

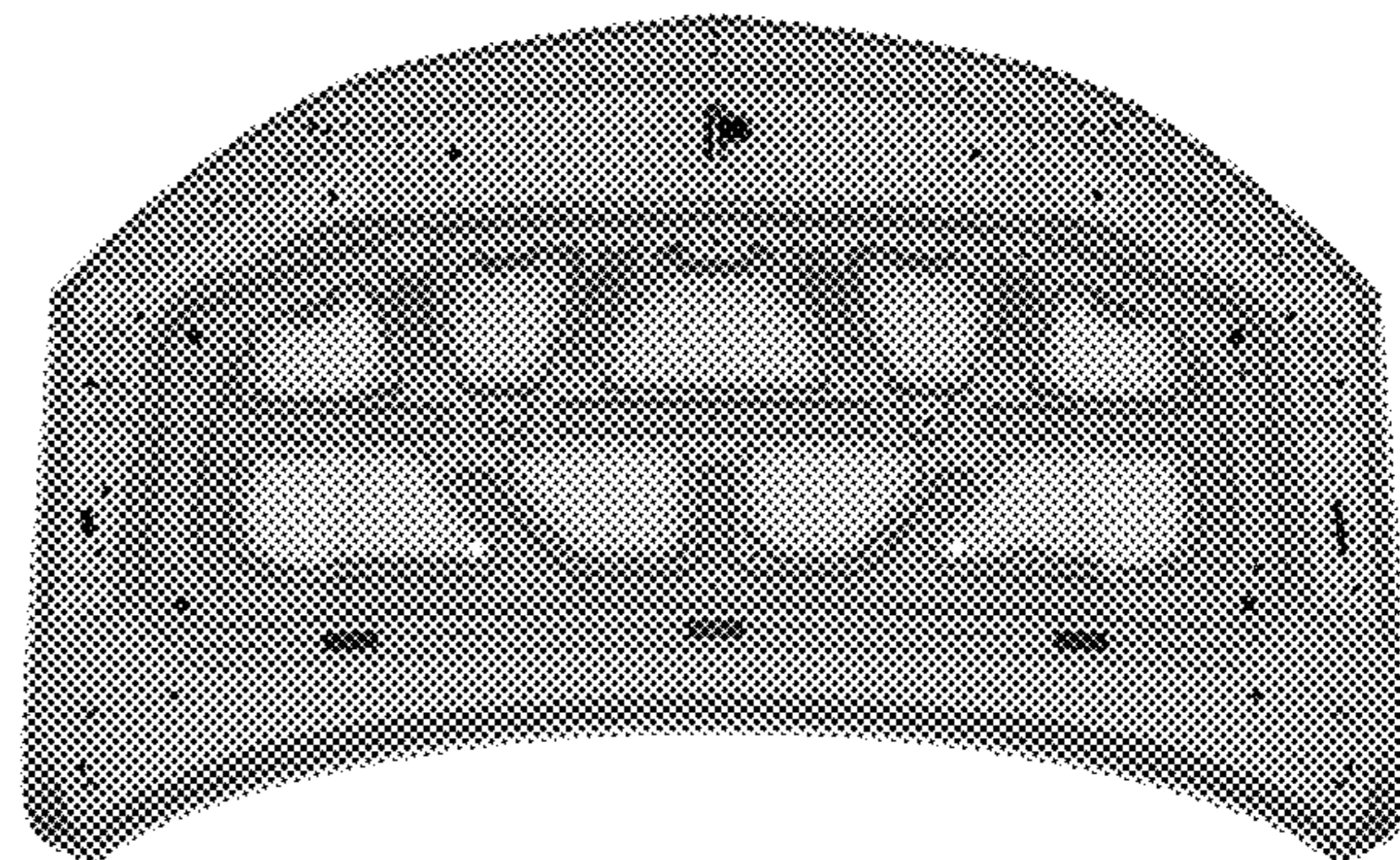
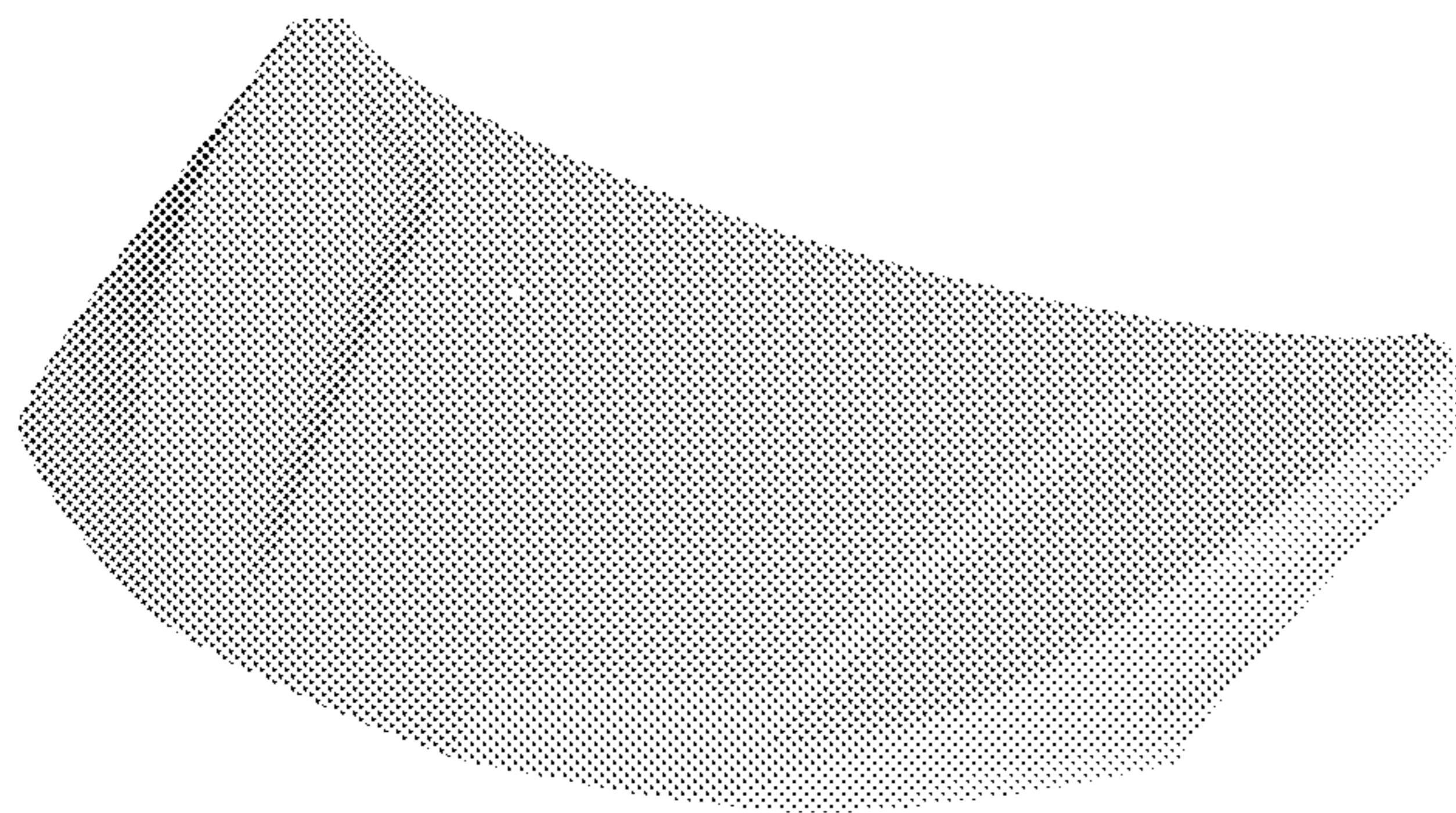


FIG. 1

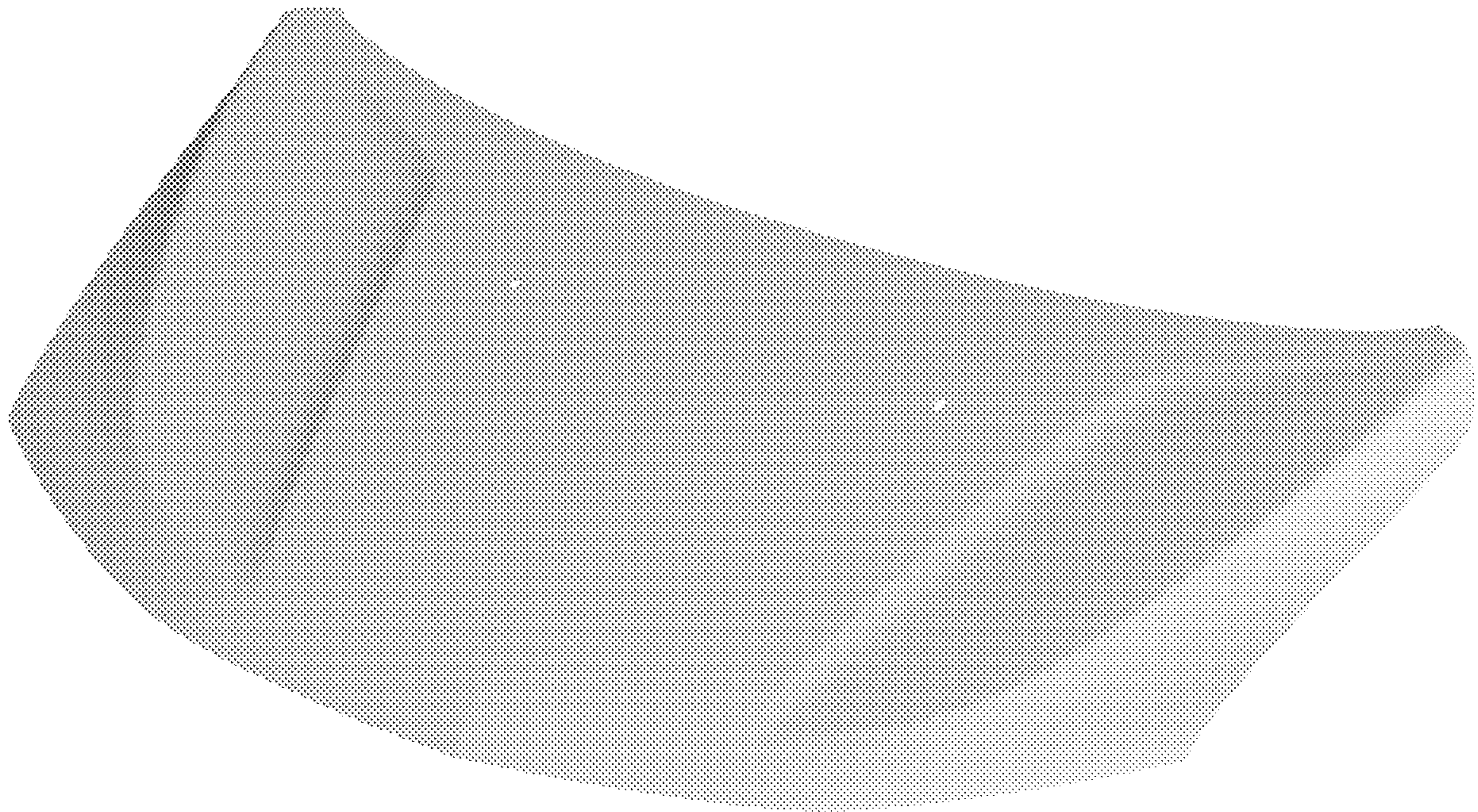


FIG. 2

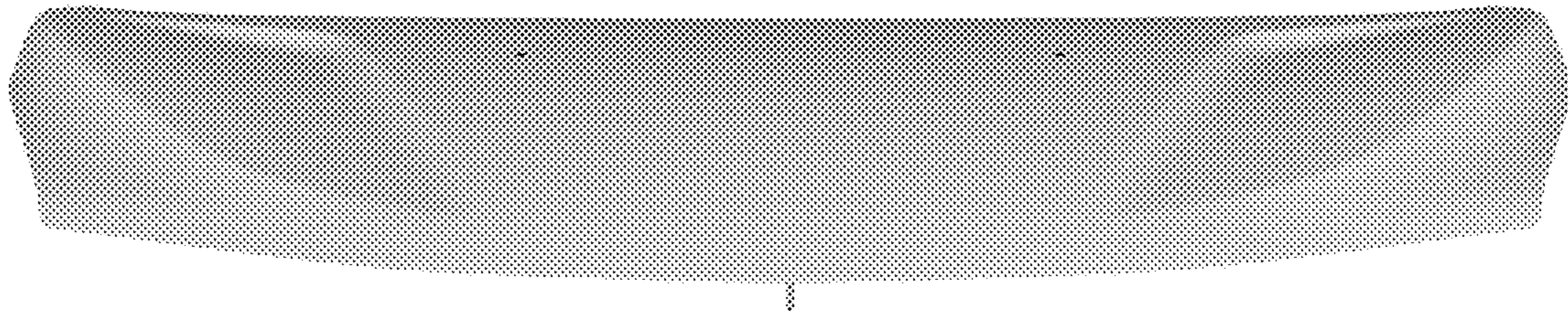


FIG. 3

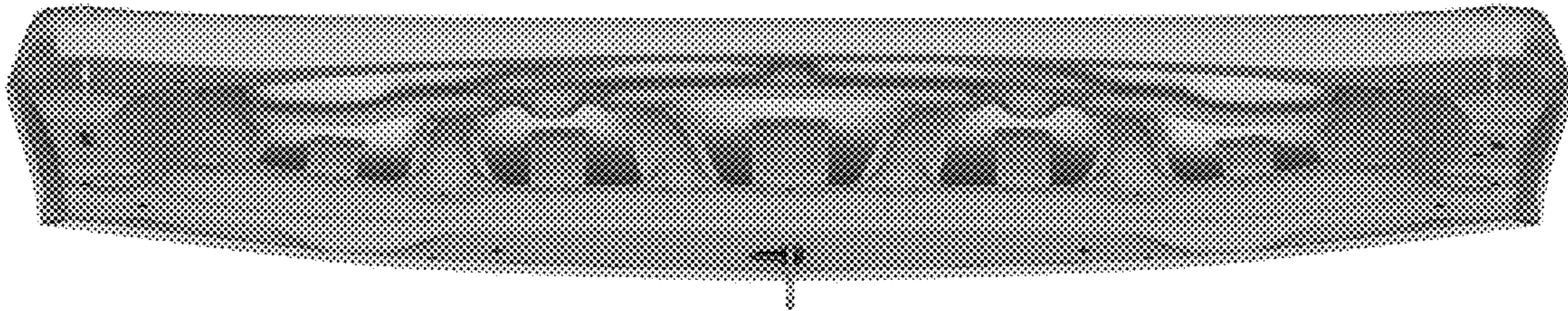


FIG. 4

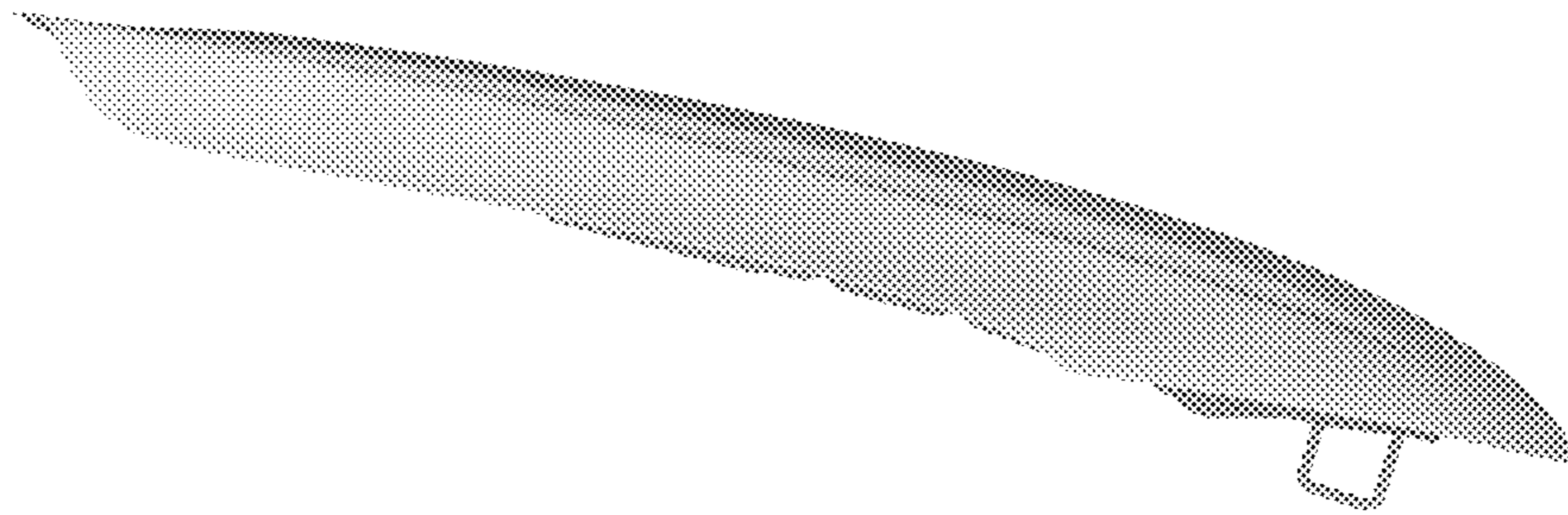


FIG. 5

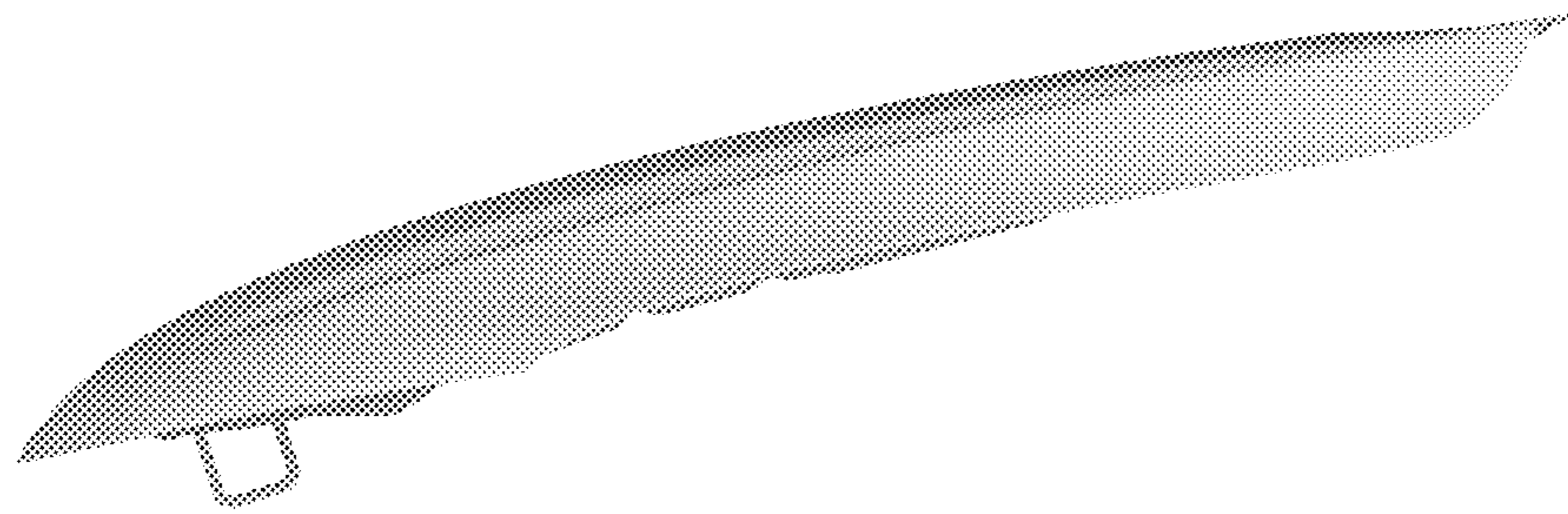


FIG. 6

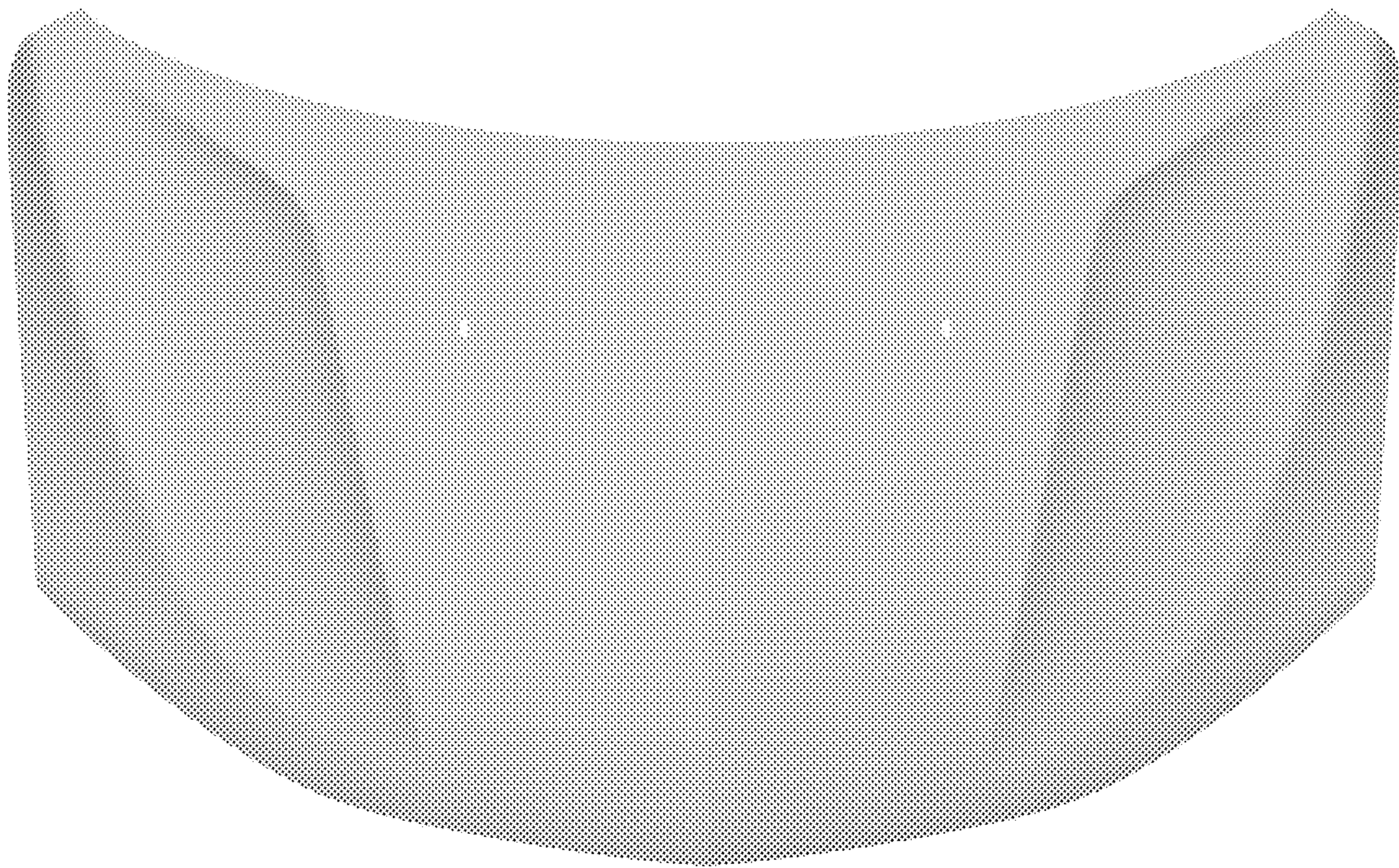
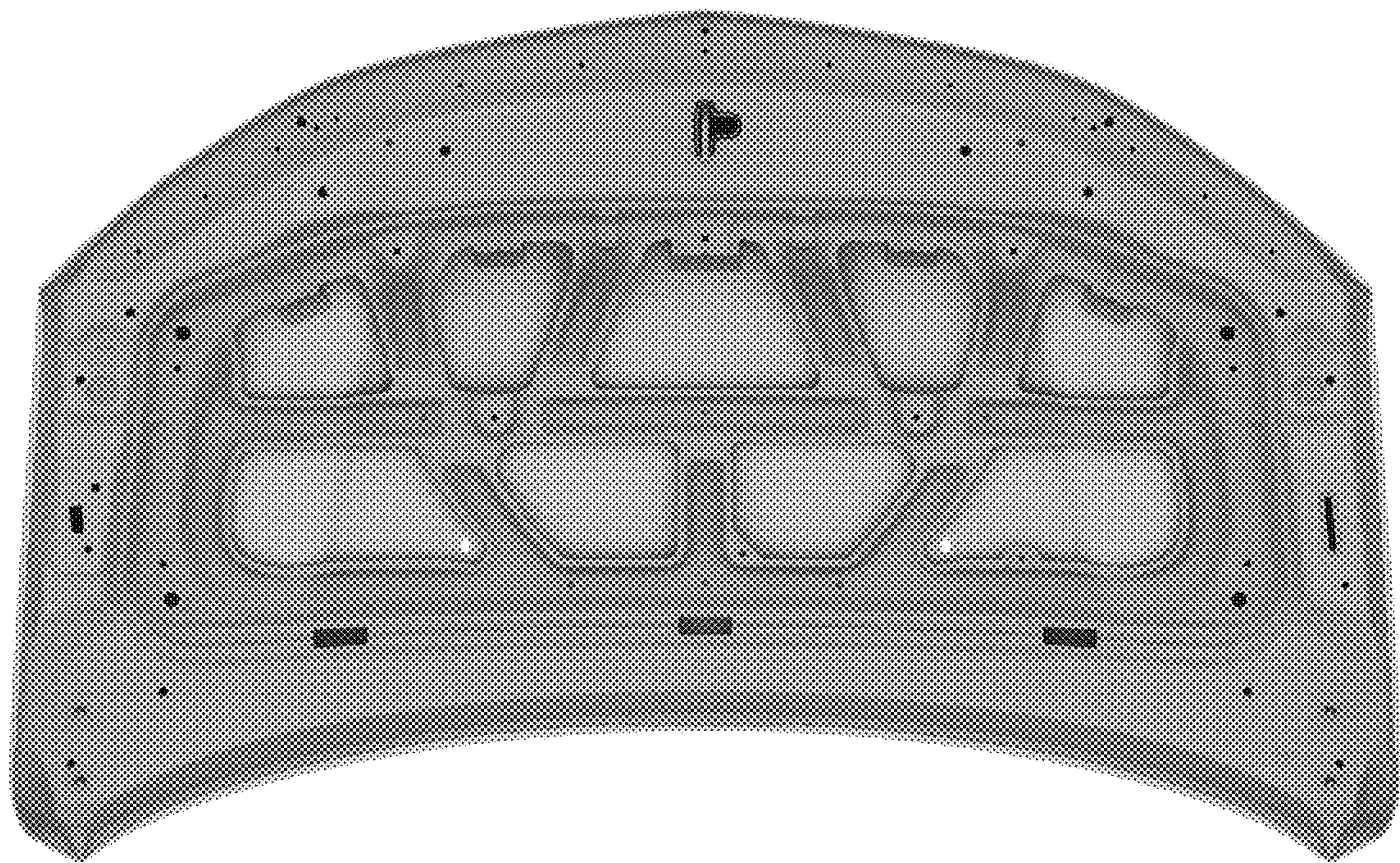


FIG. 7





US00D813120C1

(12) **EX PARTE REEXAMINATION CERTIFICATE** (11999th)
United States Patent
Kim

(10) **Number:** **US D813,120 C1**
(45) **Certificate Issued:** **Feb. 10, 2022**

(54) **HOOD PANEL OF CAR**
(71) Applicant: **GM GLOBAL TECHNOLOGY OPERATIONS LLC**, Detroit, MI (US)
(72) Inventor: **Sanghyun Kim**, Incheon (KR)
(73) Assignee: **GM GLOBAL TECHNOLOGY OPERATIONS LLC**

(51) **LOC (13) Cl.** 12-08
(52) **U.S. Cl.**
USPC **D12/173**
(58) **Field of Classification Search**
USPC D12/173, 181, 196
CPC B60R 2021/343
See application file for complete search history.

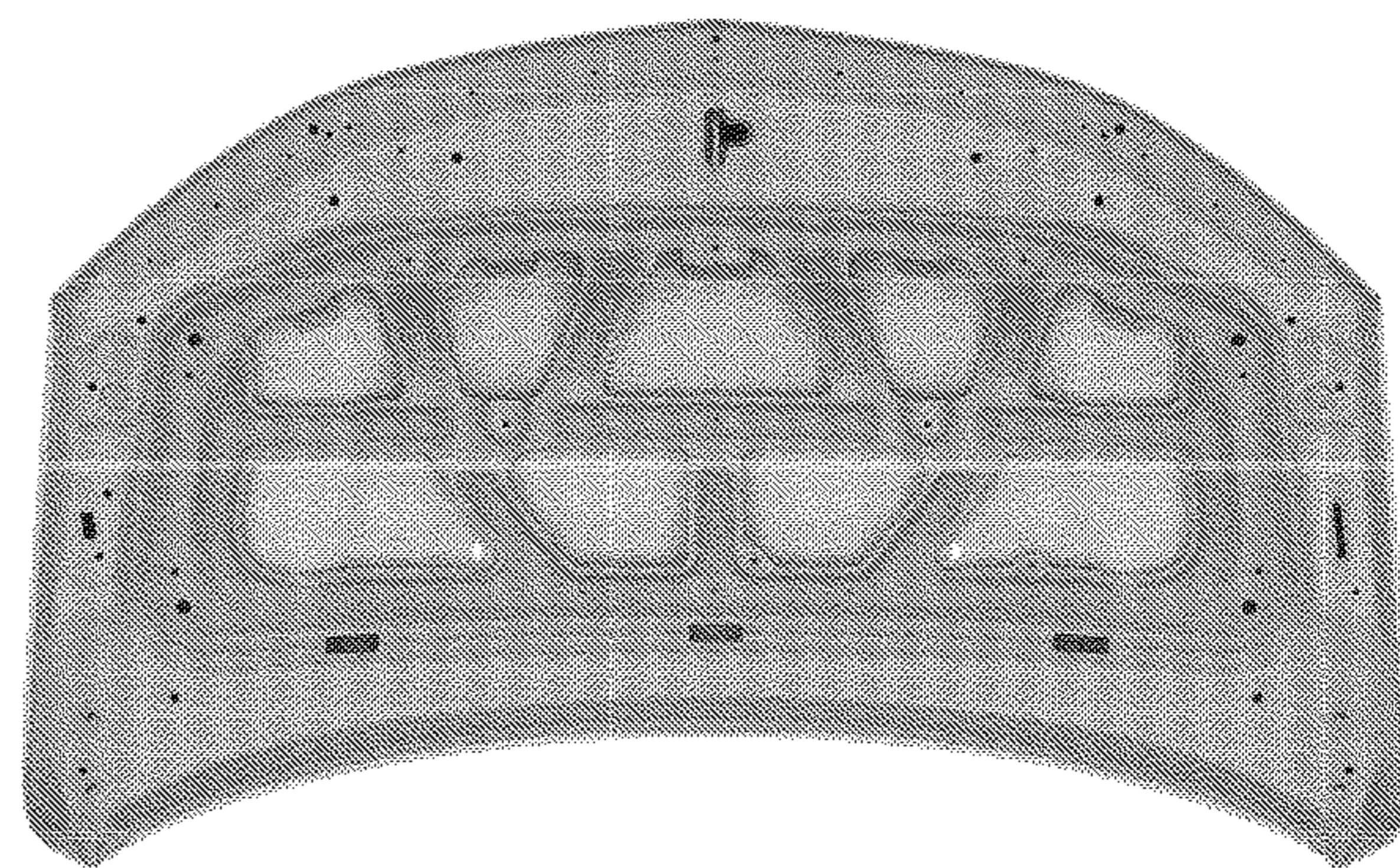
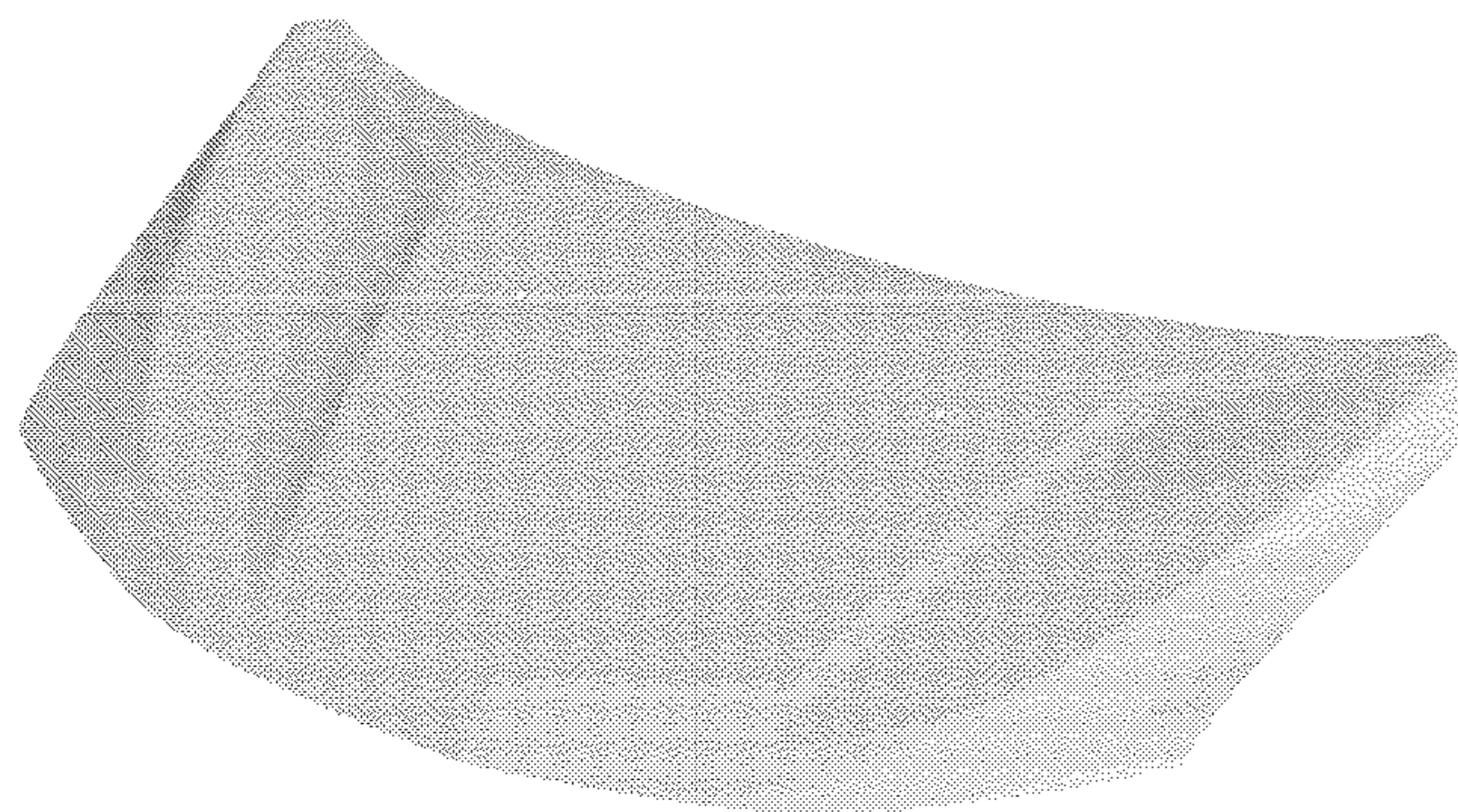
Reexamination Request:
No. 90/014,492, Apr. 8, 2020

Reexamination Certificate for:
Patent No.: **Des. 813,120**
Issued: **Mar. 20, 2018**
Appl. No.: **29/578,064**
Filed: **Sep. 19, 2016**

(56) **References Cited**

To view the complete listing of prior art documents cited during the proceeding for Reexamination Control Number 90/014,492, please refer to the USPTO's public Patent Application Information Retrieval (PAIR) system under the Display References tab.

Primary Examiner — Kevin K Rudzinski



1
EX PARTE
REEXAMINATION CERTIFICATE

NO AMENDMENTS HAVE BEEN MADE TO 5
THE PATENT

AS A RESULT OF REEXAMINATION, IT HAS BEEN
DETERMINED THAT:

The patentability of the single claim is confirmed. 10

* * * * *