



US00D813115S

(12) **United States Design Patent**
Holstein

(10) **Patent No.:** **US D813,115 S**
(45) **Date of Patent:** **** Mar. 20, 2018**

(54) **REAR BUMPER FOR A VEHICLE**
(71) Applicant: **Bayerische Motoren Werke**
Aktiengesellschaft, Munich (DE)
(72) Inventor: **Henning Holstein, Munich (DE)**
(73) Assignee: **Bayerische Motoren Werke**
Aktiengesellschaft, Munich (DE)

D740,728 S * 10/2015 Gunnarson D12/169
D772,118 S 11/2016 Schneider
D801,885 S * 11/2017 Melikian D12/169

(**) Term: **15 Years**
(21) Appl. No.: **29/580,669**

FOREIGN PATENT DOCUMENTS

WO WO DM/082111 5/2014
WO WO DM/084240 2/2015

* cited by examiner

(22) Filed: **Oct. 12, 2016**

Primary Examiner — Melody N Brown
(74) *Attorney, Agent, or Firm* — Crowell & Moring LLP

(30) **Foreign Application Priority Data**

Apr. 13, 2016 (DE) 40 2016 100 489

(51) **LOC (11) Cl.** **12-16**

(52) **U.S. Cl.**
USPC **D12/169**

(58) **Field of Classification Search**
USPC D12/169, 216, 90-92, 86, 171, 196, 163;
293/102, 113, 115, 117, 120; 296/180.1,
296/180.2
CPC B60R 19/02; B60R 19/04; B62D 25/08
See application file for complete search history.

(57) **CLAIM**

The ornamental design for a rear bumper for a vehicle, as shown and described.

(56) **References Cited**

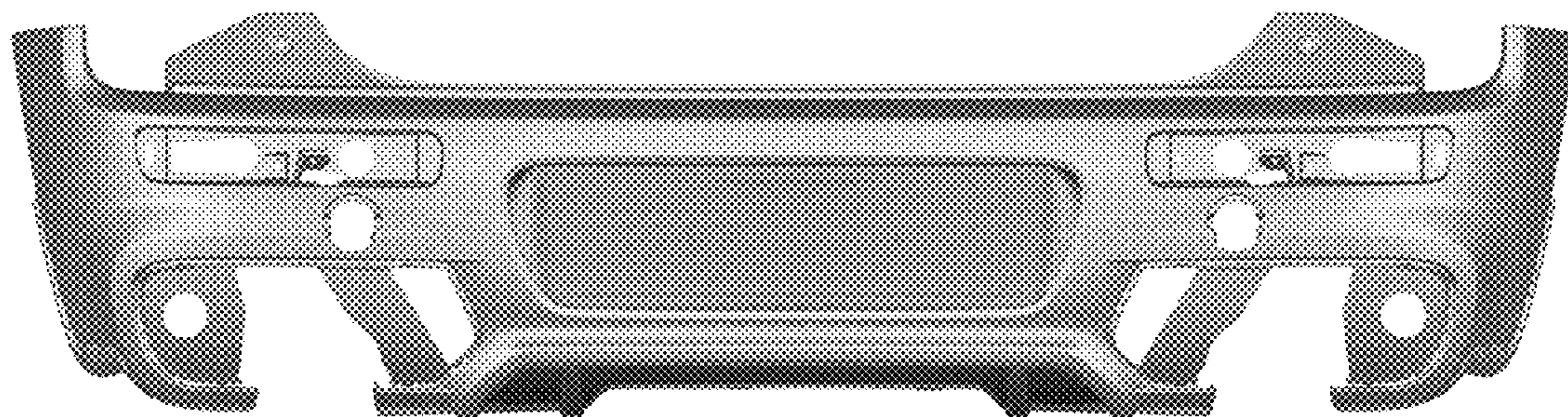
U.S. PATENT DOCUMENTS

D738,800 S * 9/2015 Mueller-Stolz D12/169
D787,741 S 9/2015 Goepfel

DESCRIPTION

FIG. 1 is a front view of a rear bumper for a vehicle according to the design;
FIG. 2 is a top, front and left side perspective view thereof;
FIG. 3 is a bottom, front and left side perspective view thereof;
FIG. 4 is a left side view thereof;
FIG. 5 is a top view thereof;
FIG. 6 is a bottom view thereof; and,
FIG. 7 is a rear view thereof.

1 Claim, 7 Drawing Sheets



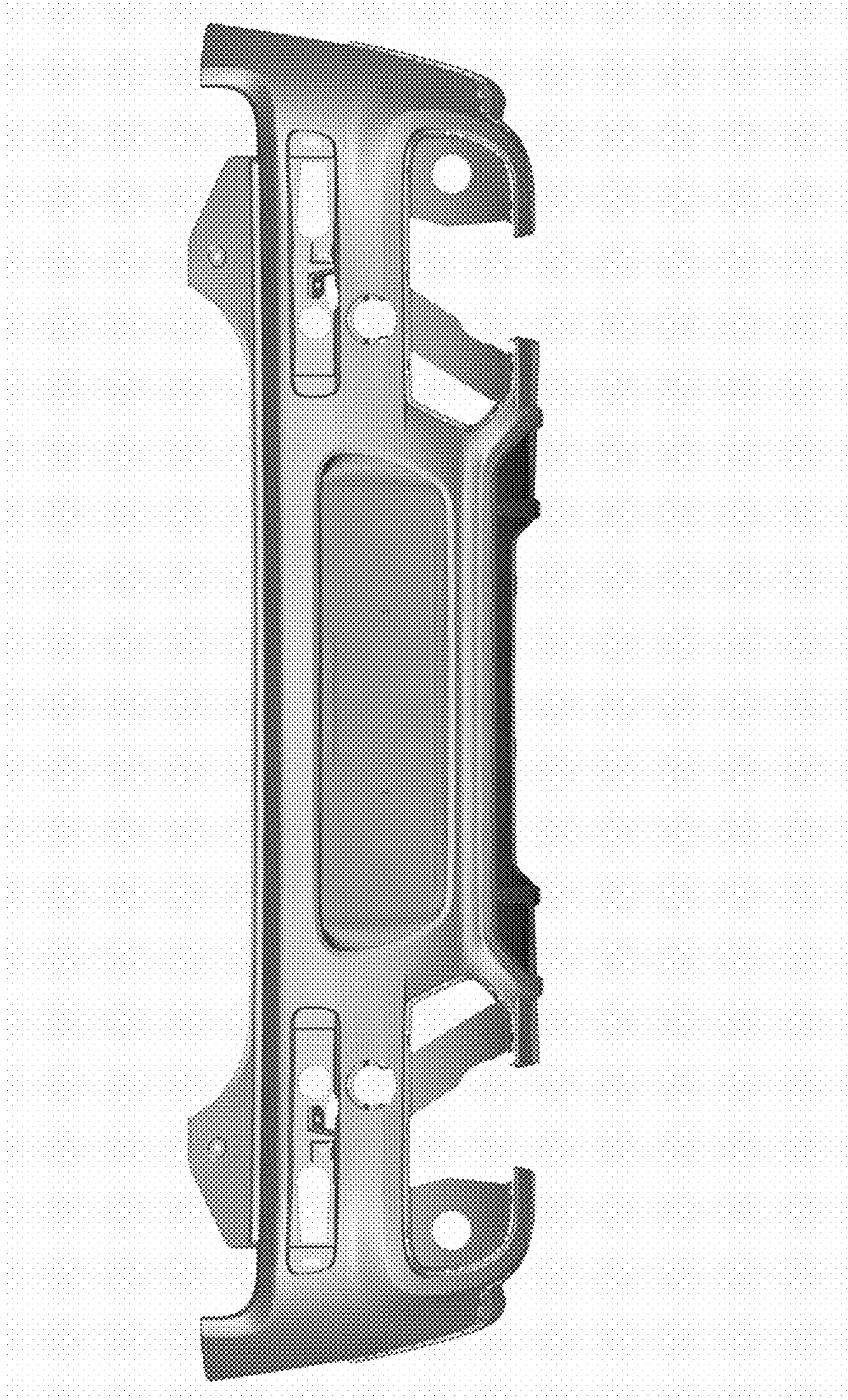


Fig. 1



Fig. 2



Fig. 3

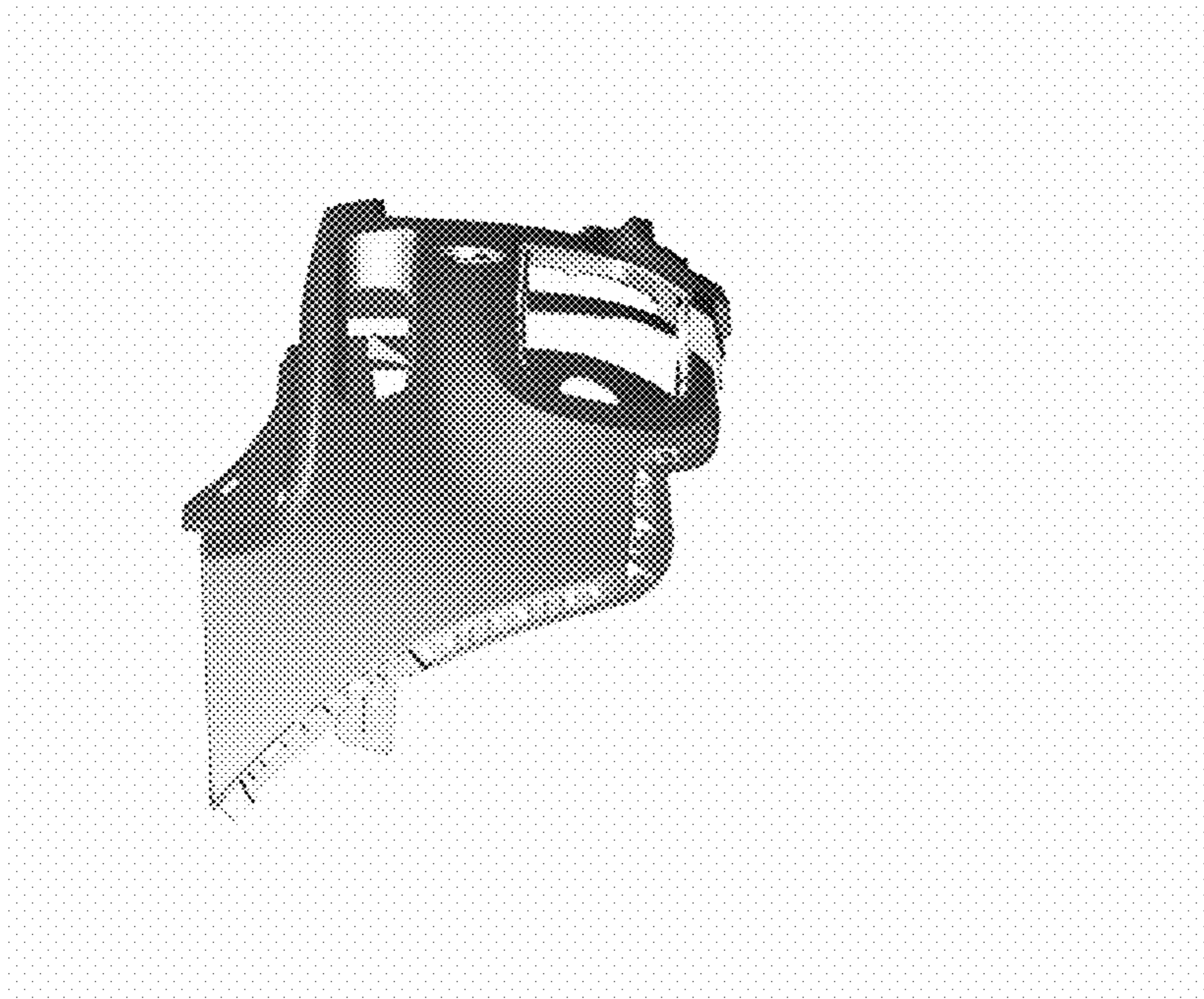


Fig. 4

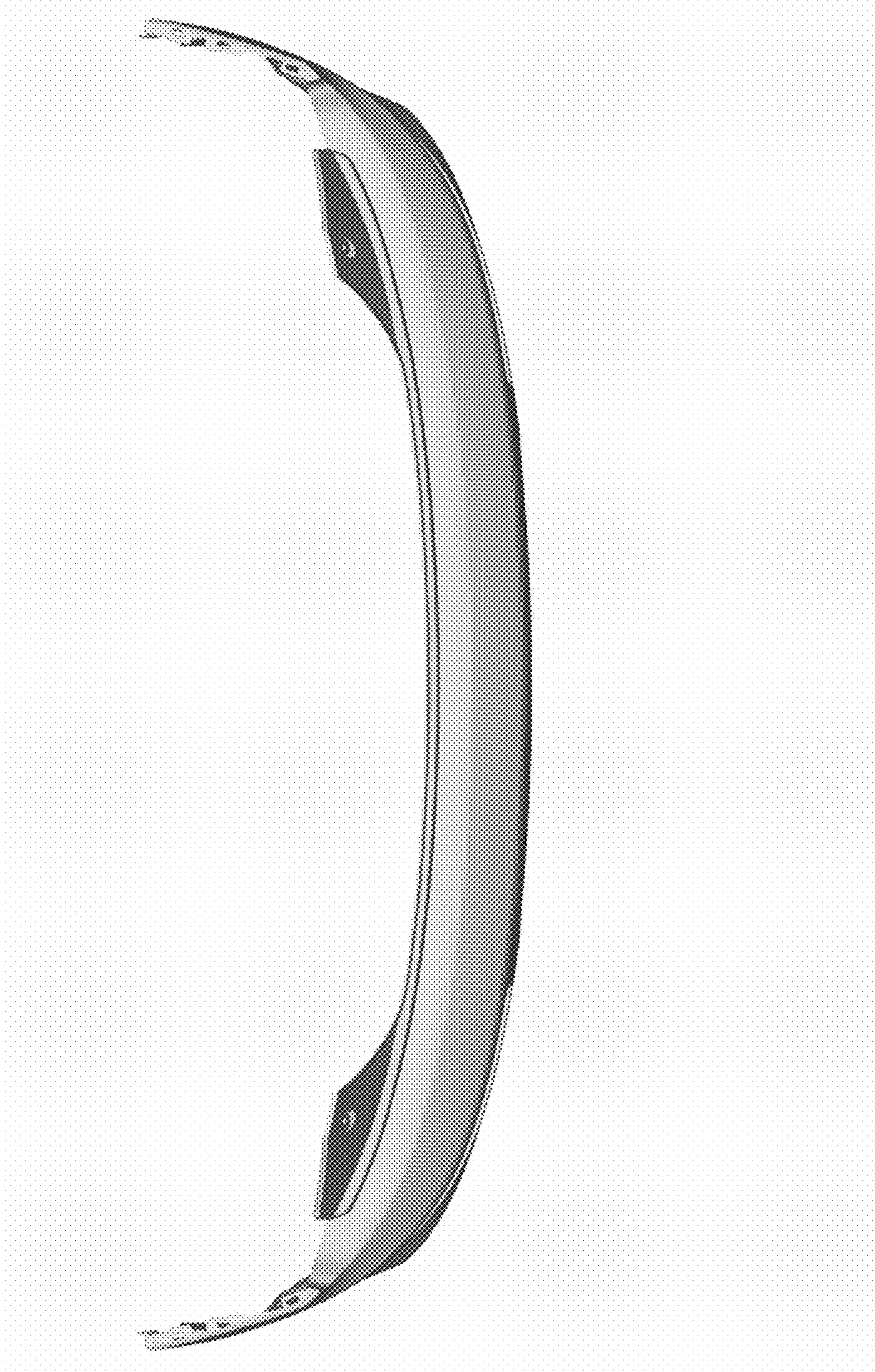


Fig. 5

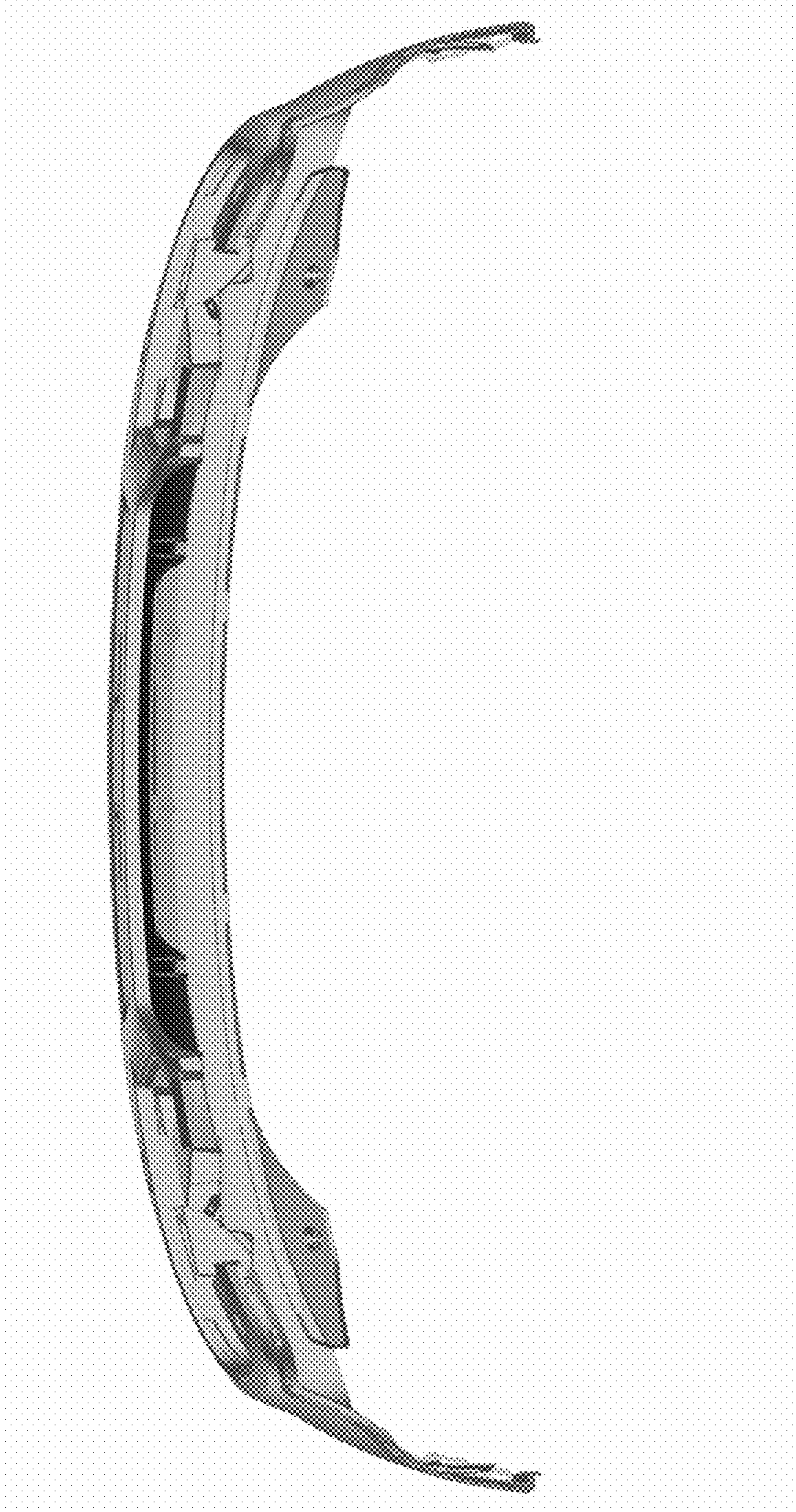


Fig. 6

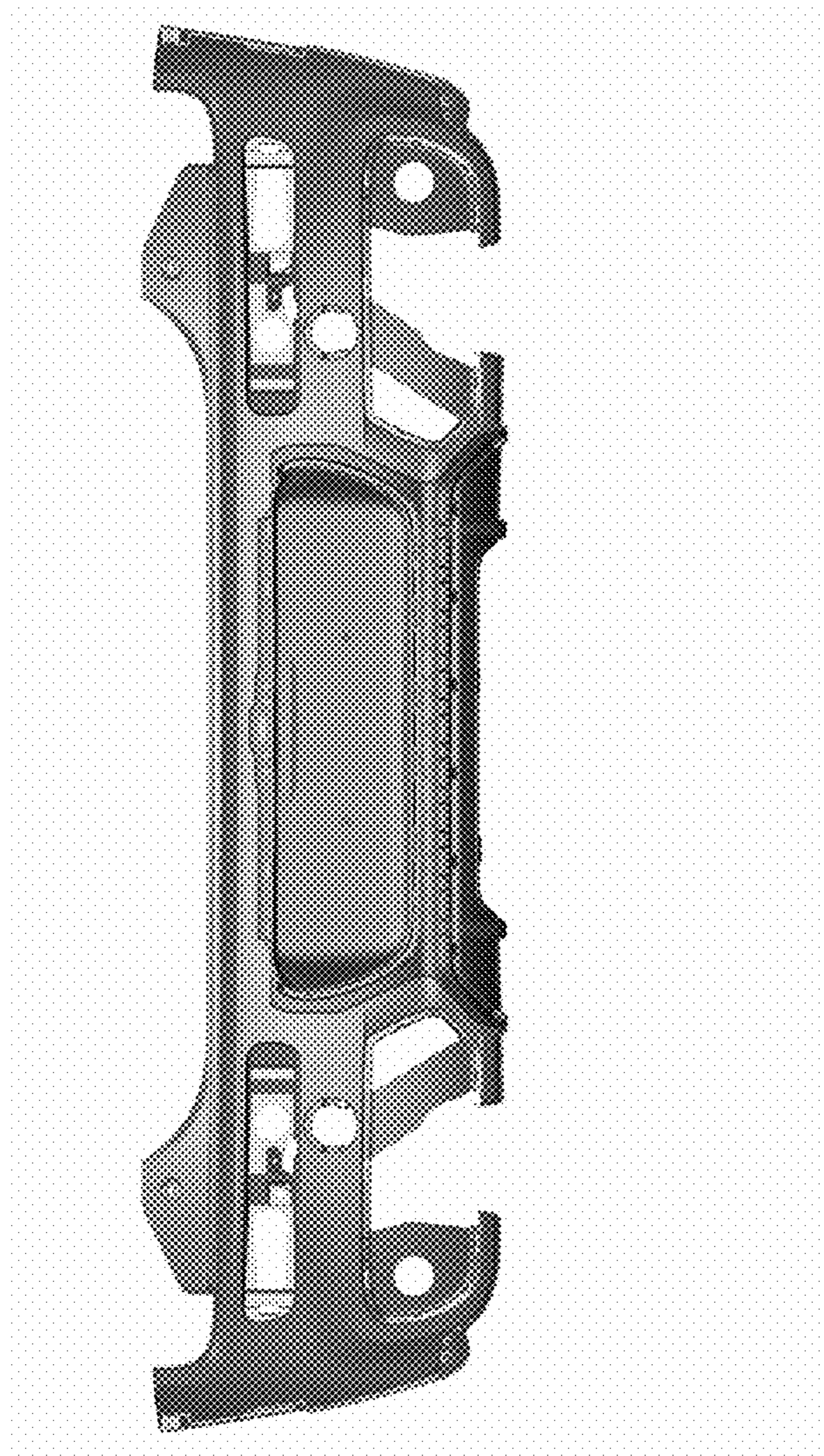


Fig. 7