



US00D813112S

(12) **United States Design Patent** (10) **Patent No.:** **US D813,112 S**  
**Beermann** (45) **Date of Patent:** **\*\* Mar. 20, 2018**

(54) **REAR BUMPER FOR A VEHICLE**  
(71) Applicant: **Bayerische Motoren Werke Aktiengesellschaft, Munich (DE)**  
(72) Inventor: **Page Beermann, Marina Del Rey, CA (US)**  
(73) Assignee: **Bayerische Motoren Werke Aktiengesellschaft, Munich (DE)**

D703,592 S \* 4/2014 Kwon ..... D12/169  
D713,304 S \* 9/2014 Tsuchida ..... D12/169  
D714,196 S \* 9/2014 Mays ..... D12/169  
D715,708 S \* 10/2014 Mays ..... D12/169  
D740,727 S \* 10/2015 Nakamura ..... D12/169  
D746,188 S \* 12/2015 Nakagawa ..... D12/169  
D748,544 S \* 2/2016 Nissl ..... D12/169  
D773,351 S \* 12/2016 Munakata ..... D12/169

(Continued)

(\*\*) Term: **15 Years**

(21) Appl. No.: **29/579,107**

(22) Filed: **Sep. 28, 2016**

(30) **Foreign Application Priority Data**

Mar. 29, 2016 (DE) ..... 40 2016 100 365

(51) **LOC (11) Cl.** ..... **12-16**

(52) **U.S. Cl.**  
USPC ..... **D12/169**

(58) **Field of Classification Search**  
USPC .... D12/169, 216, 90-92, 86, 171, 196, 163;  
293/102, 113, 115, 117, 120; 296/180.1,  
296/180.2  
CPC ..... B60R 19/02; B60R 19/04; B62D 25/08  
See application file for complete search history.

(56) **References Cited**

U.S. PATENT DOCUMENTS

D511,725 S 11/2005 Nagashima  
D598,824 S \* 8/2009 Bauer ..... D12/169  
D610,504 S \* 2/2010 Bucher ..... D12/169  
D620,851 S 8/2010 Froehlich  
D630,976 S \* 1/2011 Clottu ..... D12/169  
D644,575 S \* 9/2011 Messale ..... D12/169  
D659,605 S \* 5/2012 Varga ..... D12/169  
D671,049 S \* 11/2012 Davidson ..... D12/169  
D690,631 S \* 10/2013 Kazama ..... D12/169  
D698,290 S \* 1/2014 Mori ..... D12/169

FOREIGN PATENT DOCUMENTS

WO WO DM/065775 11/2004  
WO WO DM/072056 1/2010  
WO WO DM/076560 2/2012

Primary Examiner — Melody N Brown

(74) Attorney, Agent, or Firm — Crowell & Moring LLP

(57) **CLAIM**

The ornamental design for a rear bumper for a vehicle, as shown and described.

**DESCRIPTION**

This application contains subject matter related to the following co-pending U.S. design patent applications: Application Ser. No. 29/579,102, filed herewith and entitled “Vehicle, Toy, and/or Replicas Thereof”; Application Ser. No. 29/579,109, filed herewith and entitled “Vehicle, Toy, and/or Replicas Thereof”; and Application Ser. No. 29/579,111, filed herewith and entitled “Rear Bumper for a Vehicle”.

FIG. 1 is a front view of a rear bumper for a vehicle according to the design;

FIG. 2 is a right, front perspective view thereof;

FIG. 3 is a rear perspective view thereof;

FIG. 4 is a left side view thereof;

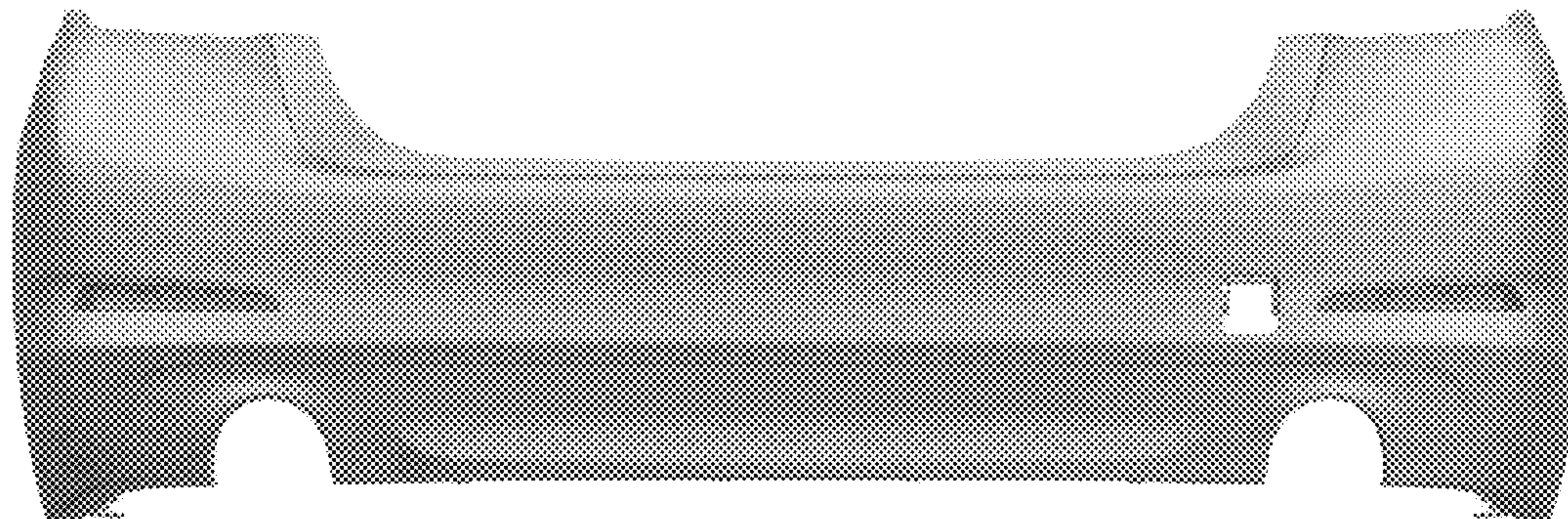
FIG. 5 is a right side view thereof;

FIG. 6 is a top view thereof;

FIG. 7 is a bottom view thereof; and,

FIG. 8 is a rear view thereof.

**1 Claim, 8 Drawing Sheets**



(56)

**References Cited**

U.S. PATENT DOCUMENTS

D773,352 S	*	12/2016	Munakata	.....	D12/169
D773,353 S	*	12/2016	Munakata	.....	D12/169
D783,468 S	*	4/2017	Patel	.....	D12/164
D793,927 S	*	8/2017	Potter	.....	D12/169
D797,617 S	*	9/2017	Mori	.....	D12/169
D801,883 S	*	11/2017	Fujiwara	.....	D12/169

\* cited by examiner

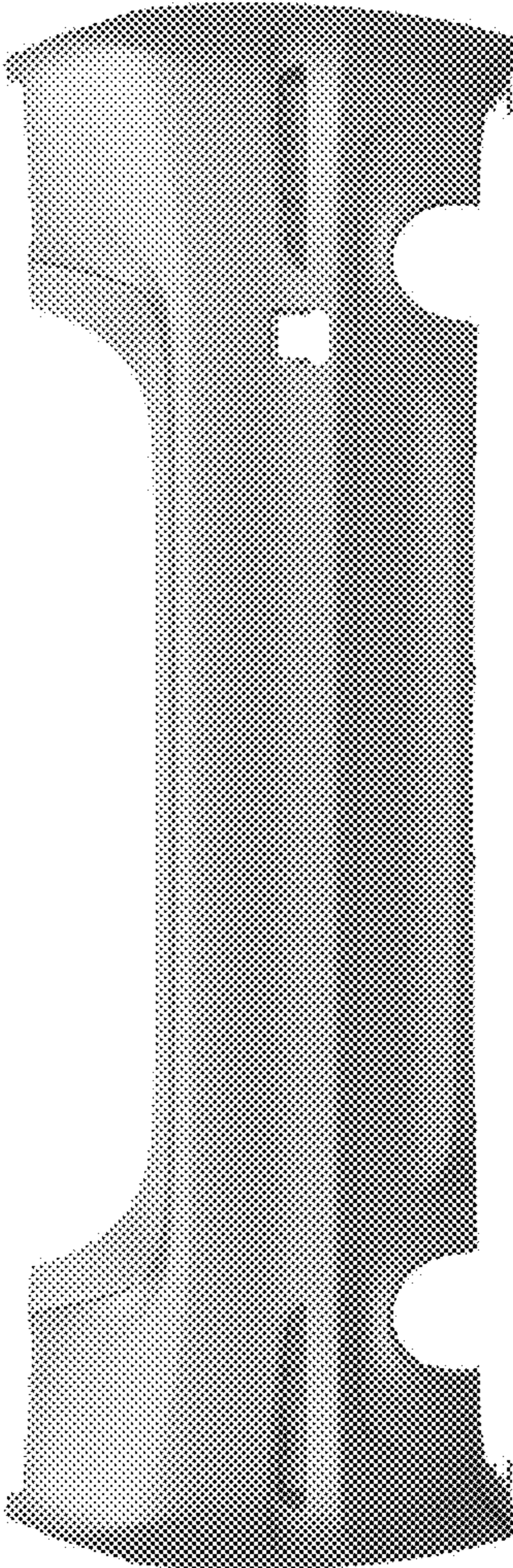


Fig. 1

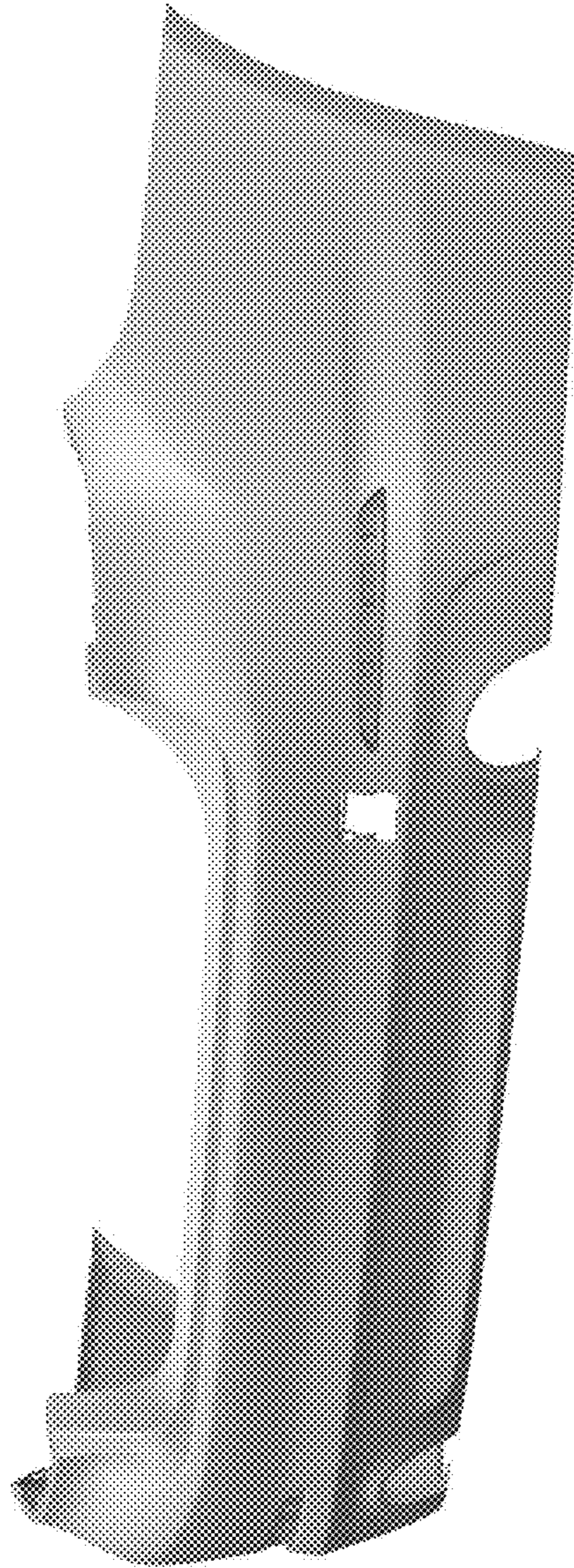


Fig. 2

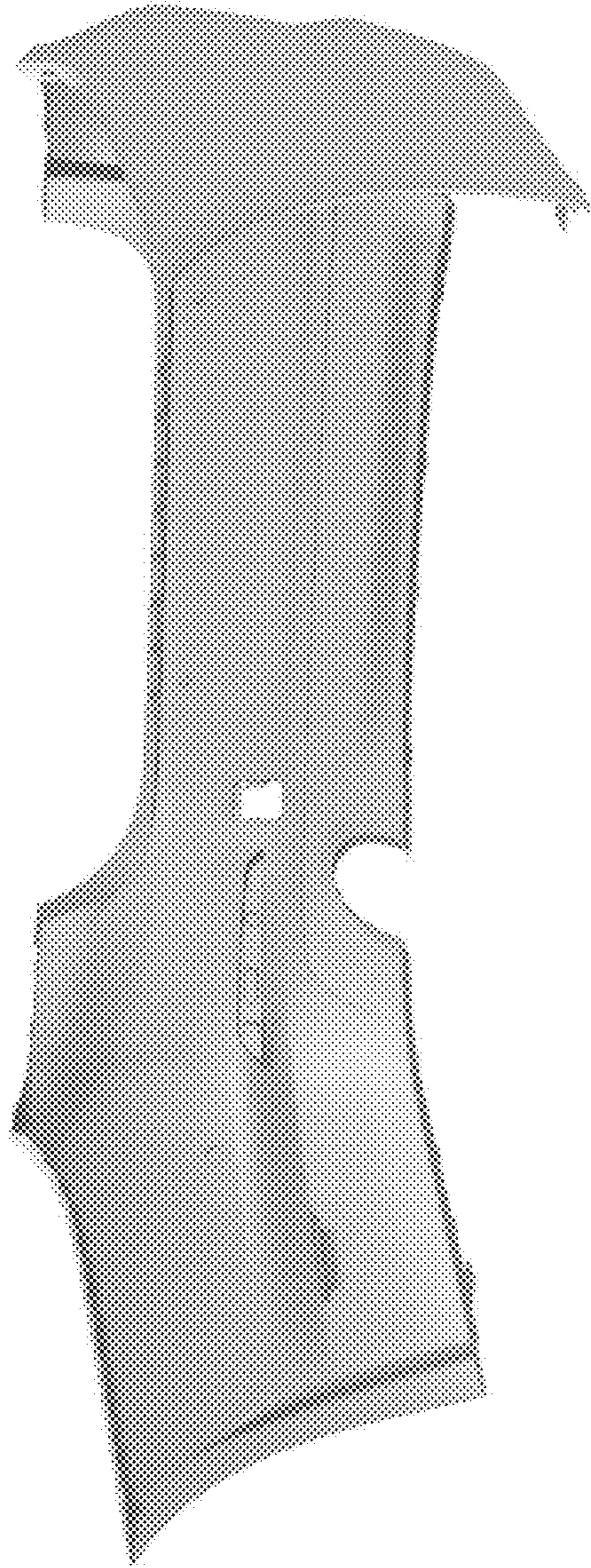


Fig. 3

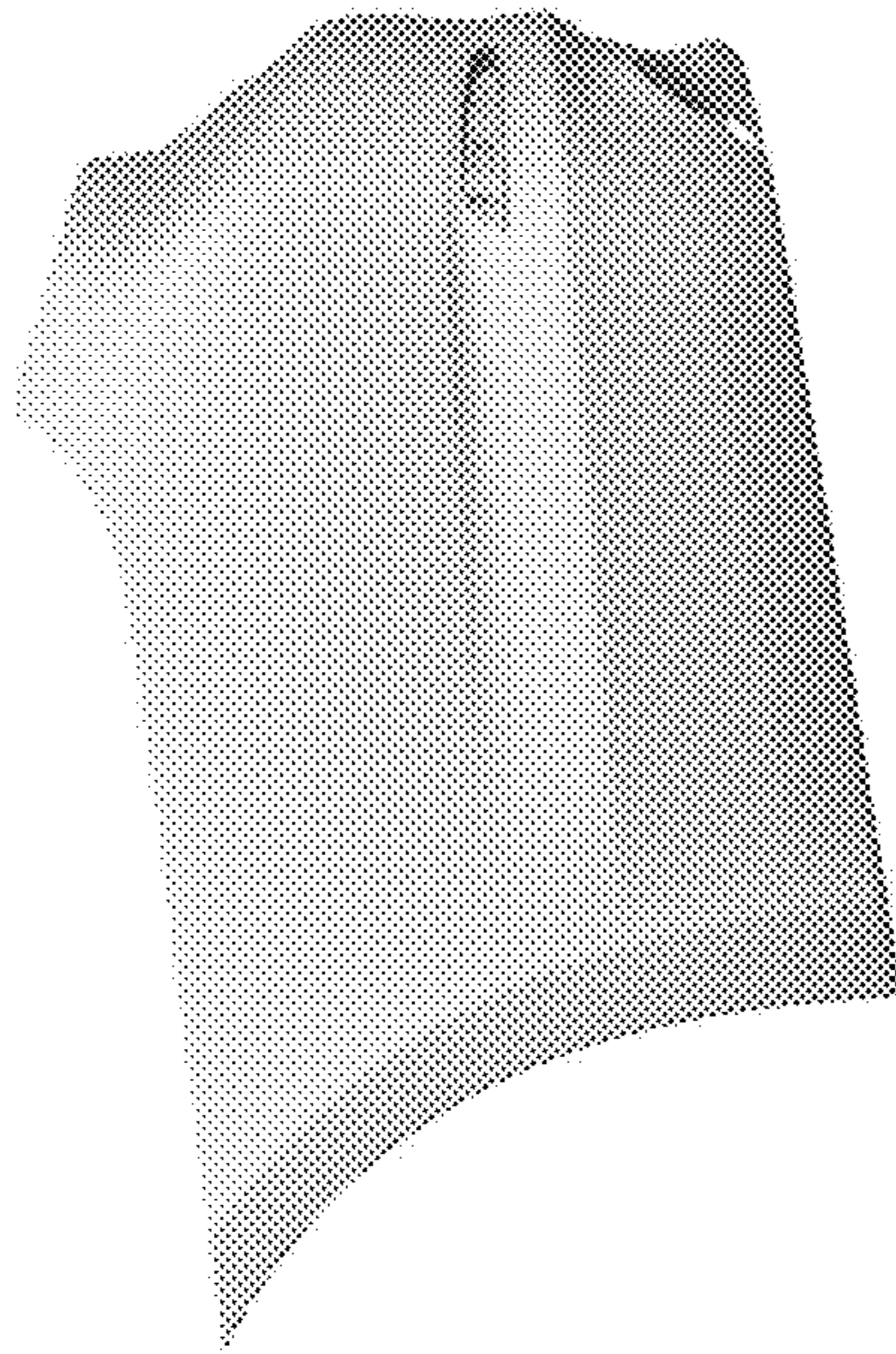


Fig. 4

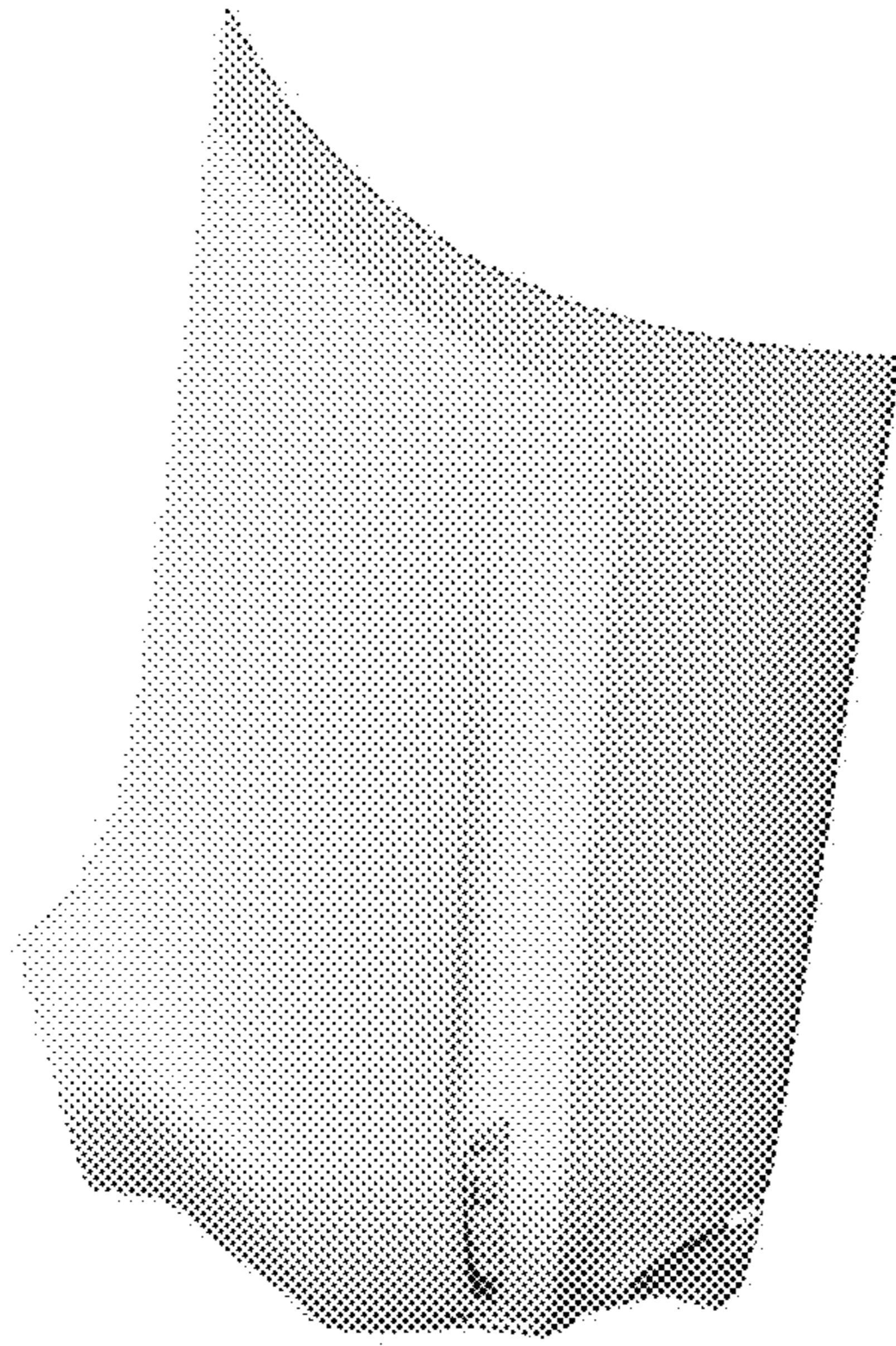


Fig. 5

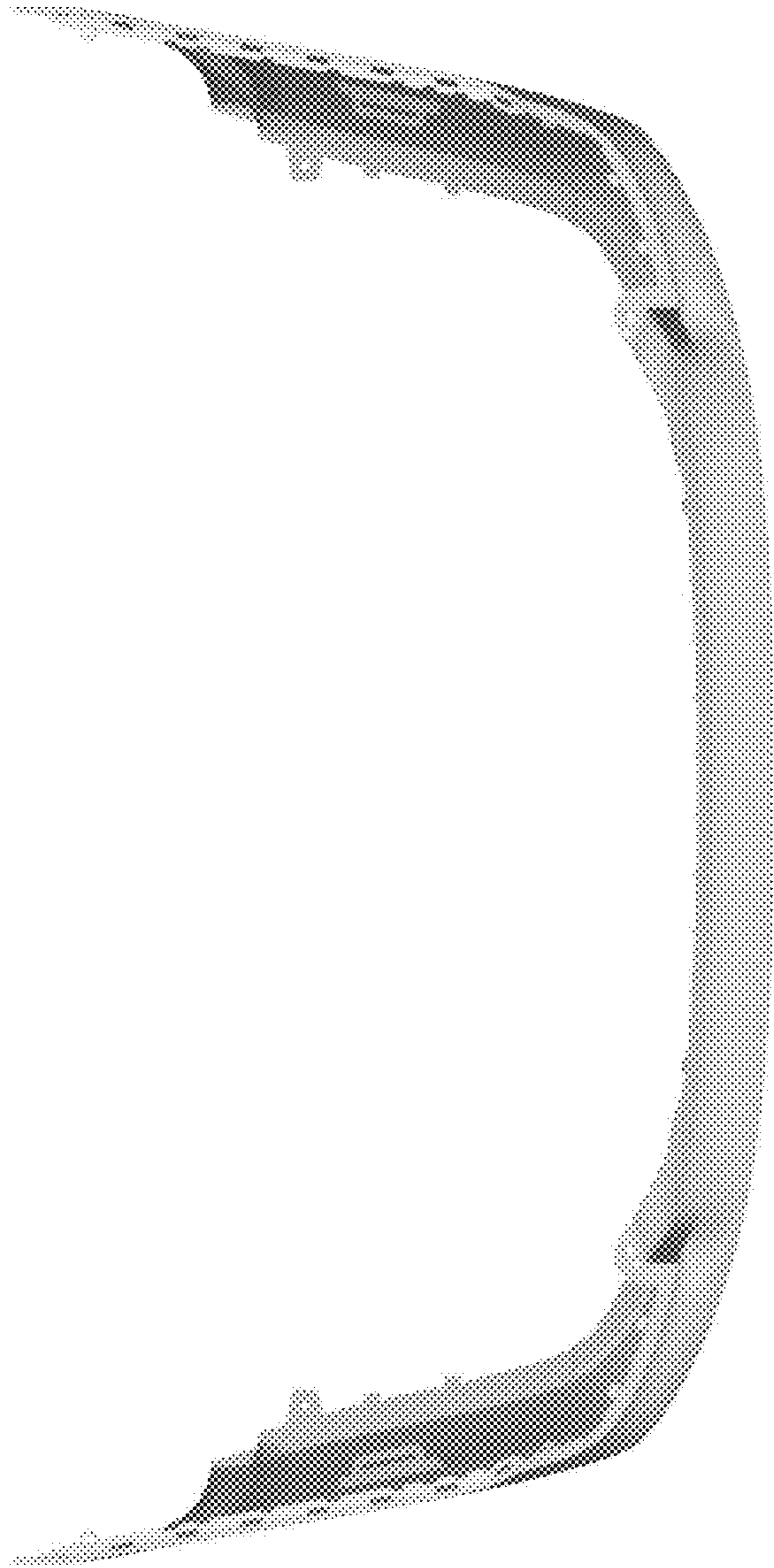


Fig. 6



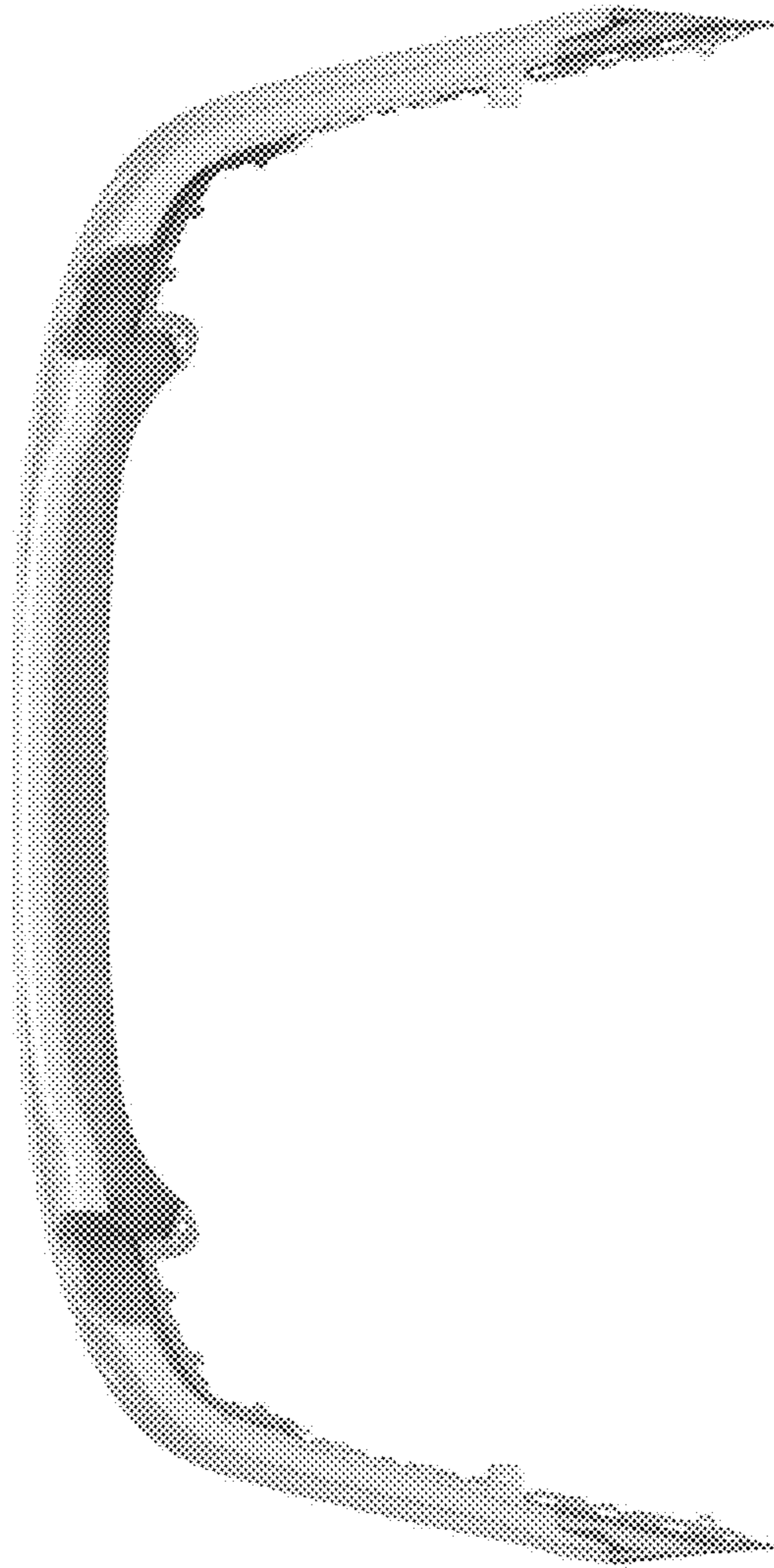


Fig. 7

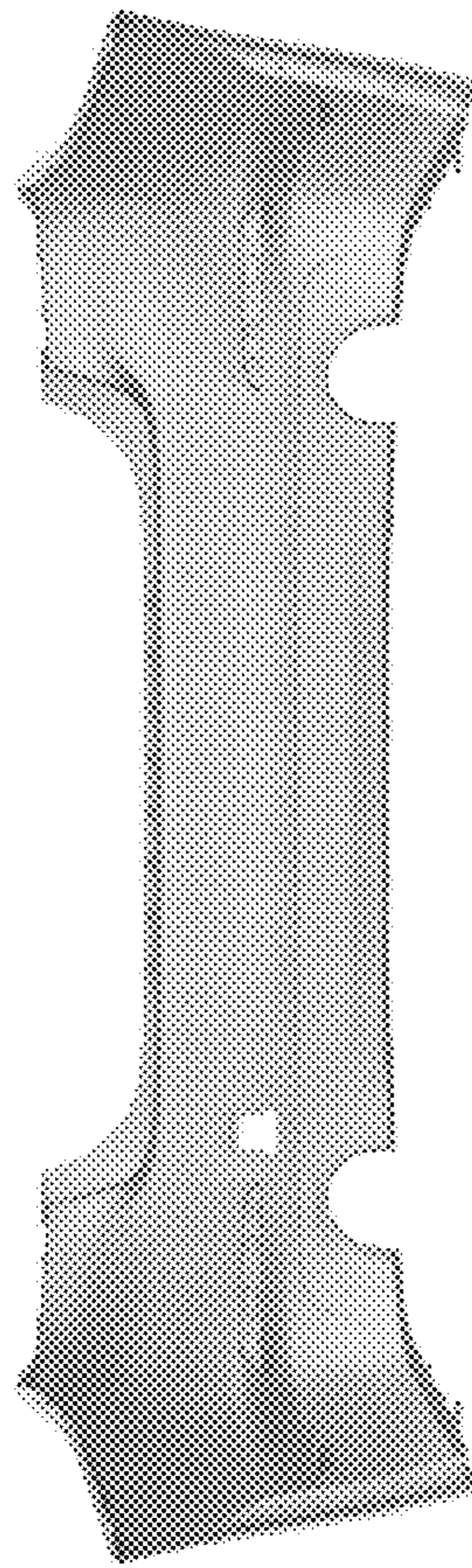


Fig. 8