



US00D813106S

(12) **United States Design Patent**
Hopkins et al.

(10) **Patent No.:** **US D813,106 S**
(45) **Date of Patent:** **** Mar. 20, 2018**

(54) **INFANT CRAWLER**
(71) Applicants: **Torshero Hopkins**, Durham, NC (US);
Demeatrice Hopkins, Winston Salem,
NC (US)
(72) Inventors: **Torshero Hopkins**, Durham, NC (US);
Demeatrice Hopkins, Winston Salem,
NC (US)

(**) Term: **15 Years**

(21) Appl. No.: **29/620,507**

(22) Filed: **Jan. 25, 2017**

(51) **LOC (11) Cl.** **12-12**

(52) **U.S. Cl.**
USPC **D12/129**

(58) **Field of Classification Search**
USPC D12/128-133
CPC B62B 7/00-7/04; B62B 9/00-9/28; A47D
13/043; A47D 13/107; A47D 13/04;
A47D 13/005; A47D 3/00
See application file for complete search history.

(56) **References Cited**

U.S. PATENT DOCUMENTS

1,572,273	A *	2/1926	Elton	A47D 13/08 280/87.051
3,044,797	A *	7/1962	Borland	A61G 5/00 280/32.6
D213,370	S	2/1969	Cherry et al.		
3,532,356	A	10/1970	Lillibridge		
D224,220	S	7/1972	Boulton		
3,992,023	A *	11/1976	Moorer	A61G 5/00 280/87.021

4,189,164	A *	2/1980	Moorer	B62B 7/12 280/87.05
D258,368	S *	2/1981	Cornish	D21/430
D261,378	S *	10/1981	Bergeron	D12/128
4,569,532	A	2/1986	Mirkarimi		
4,796,903	A *	1/1989	Proctor	A47D 13/04 280/32.5
4,873,735	A *	10/1989	Fermaglich	A47D 1/00 248/624
8,038,158	B1 *	10/2011	White	A47D 13/08 280/32.5
9,445,968	B1 *	9/2016	Burstein	A47D 13/08
2014/0291952	A1	10/2014	Lehman		

* cited by examiner

Primary Examiner — Charles Hanson

(74) *Attorney, Agent, or Firm* — Suzanne Kikel, Patent Agent

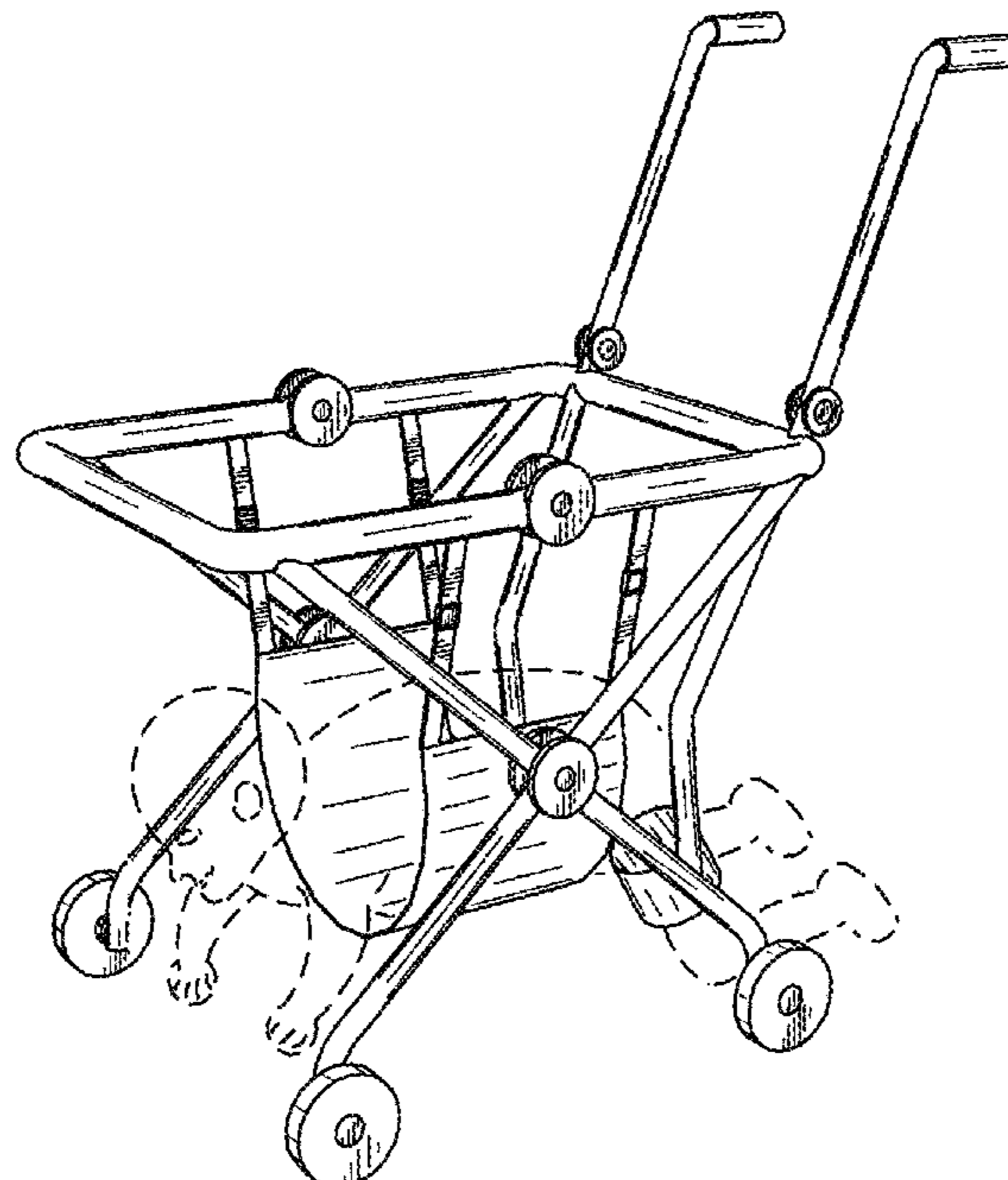
(57) **CLAIM**

The ornamental design for an infant crawler, as shown and described.

DESCRIPTION

FIG. 1 is a perspective front view of an infant crawler, showing our new design.
FIG. 2 is a right side elevational view thereof.
FIG. 3 is a left side elevational view thereof.
FIG. 4 is a front elevational view thereof.
FIG. 5 is a rear elevational view thereof.
FIG. 6 is a bottom view thereof; and,
FIG. 7 is a top view thereof.
The broken line showing of the infant in FIG. 1 is for illustrative purposes and forms no part of the claimed design.

1 Claim, 5 Drawing Sheets



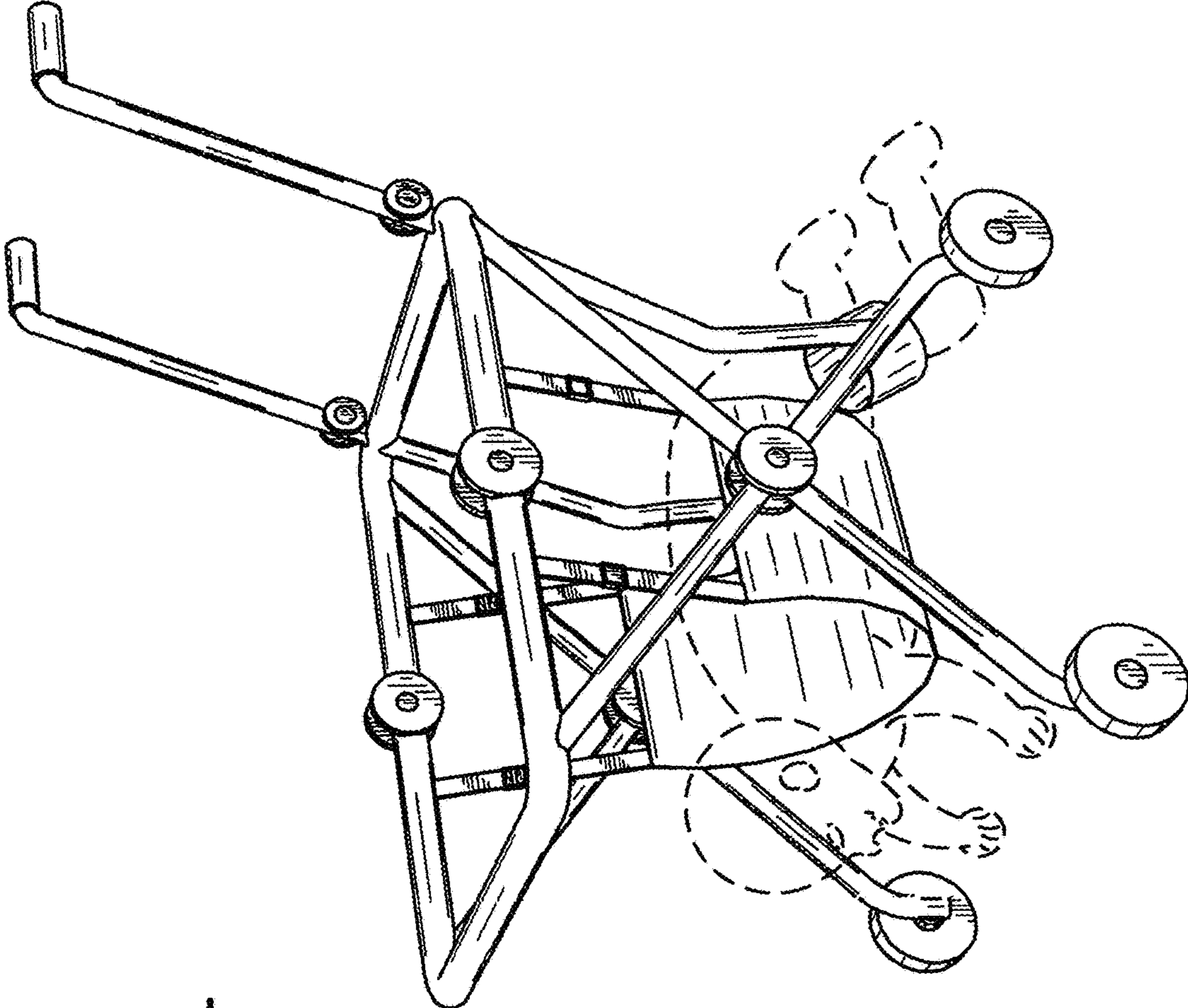


FIG. 1

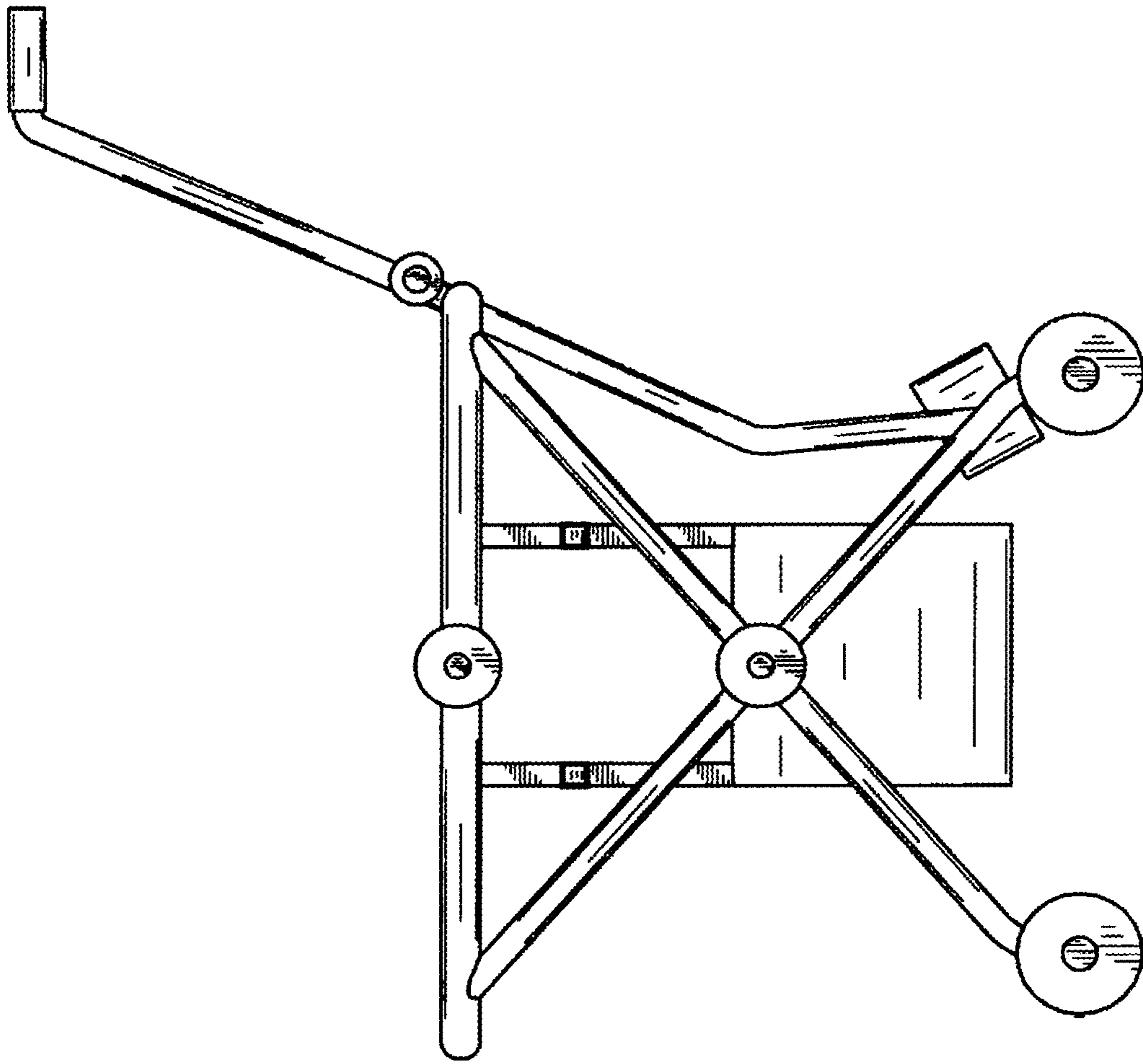
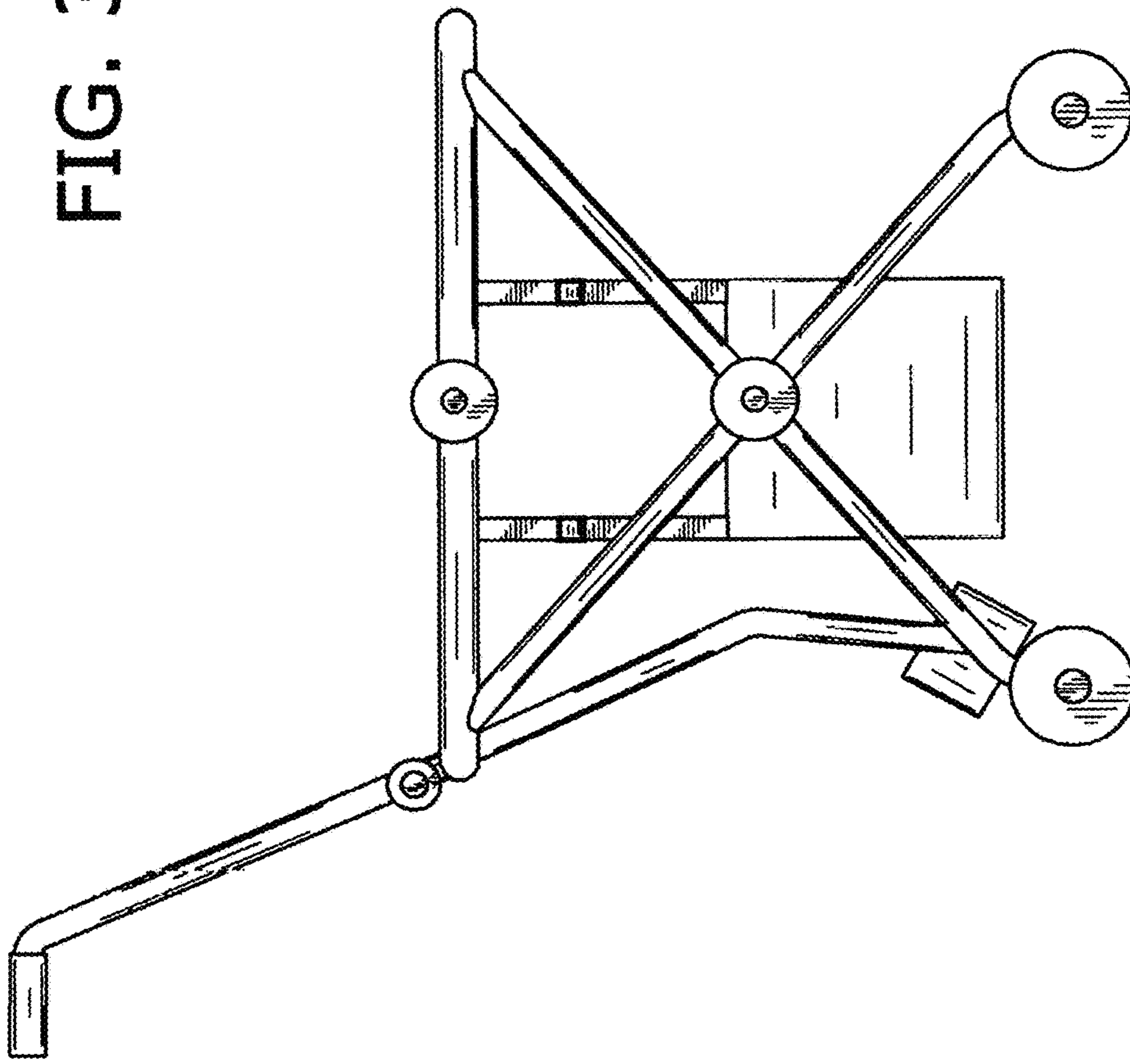


FIG. 2

FIG. 3



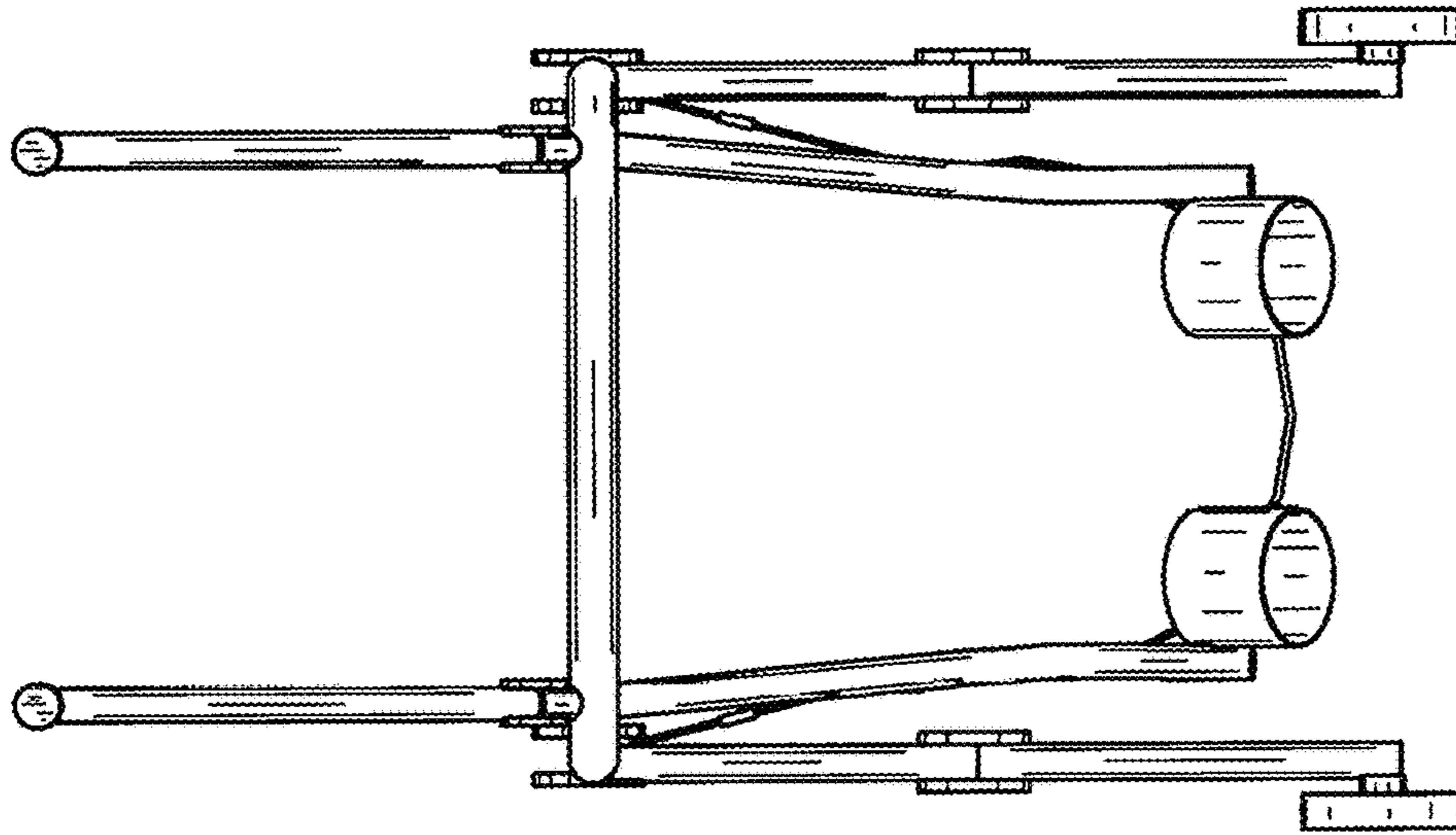


FIG. 5

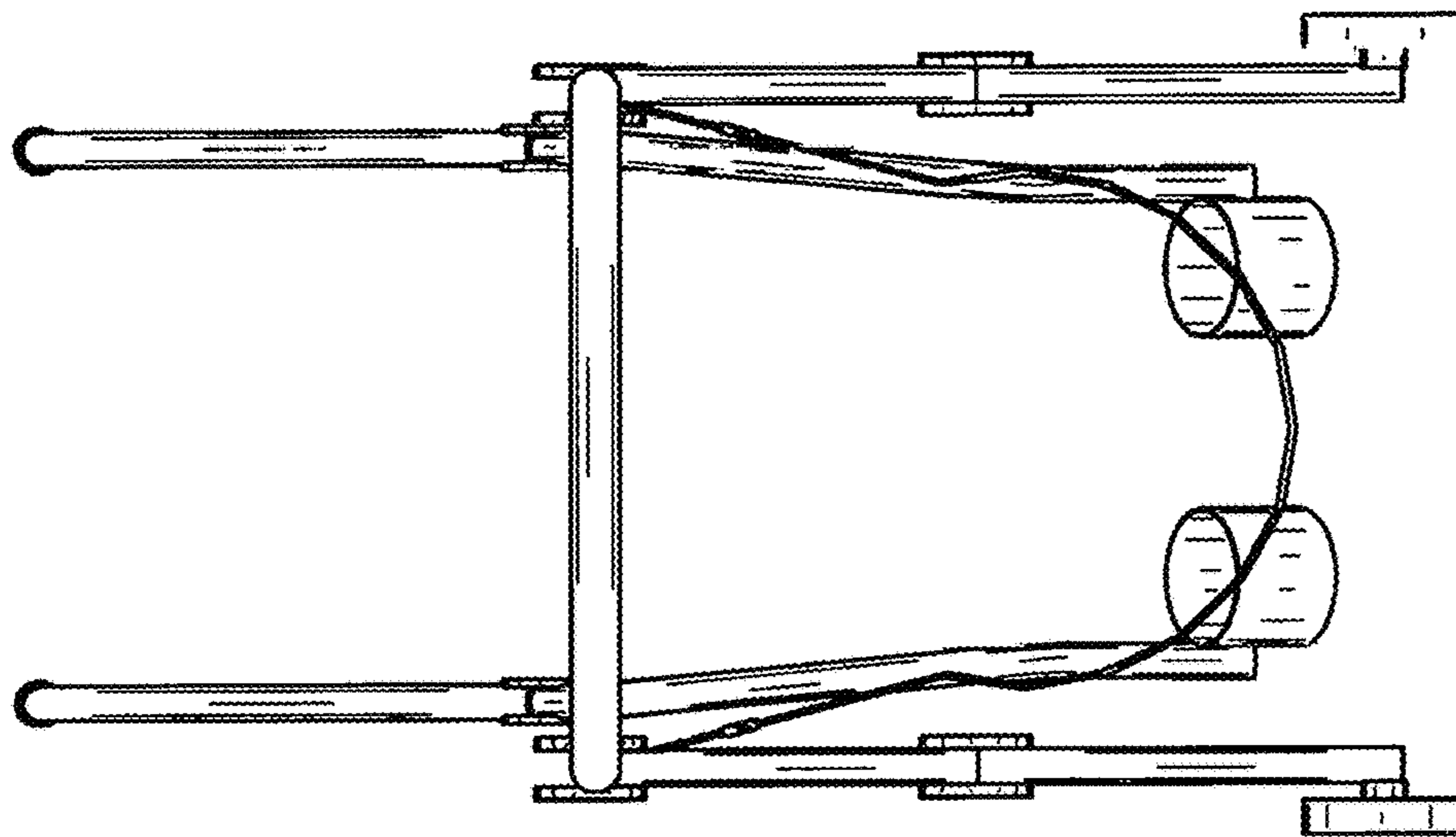


FIG. 4

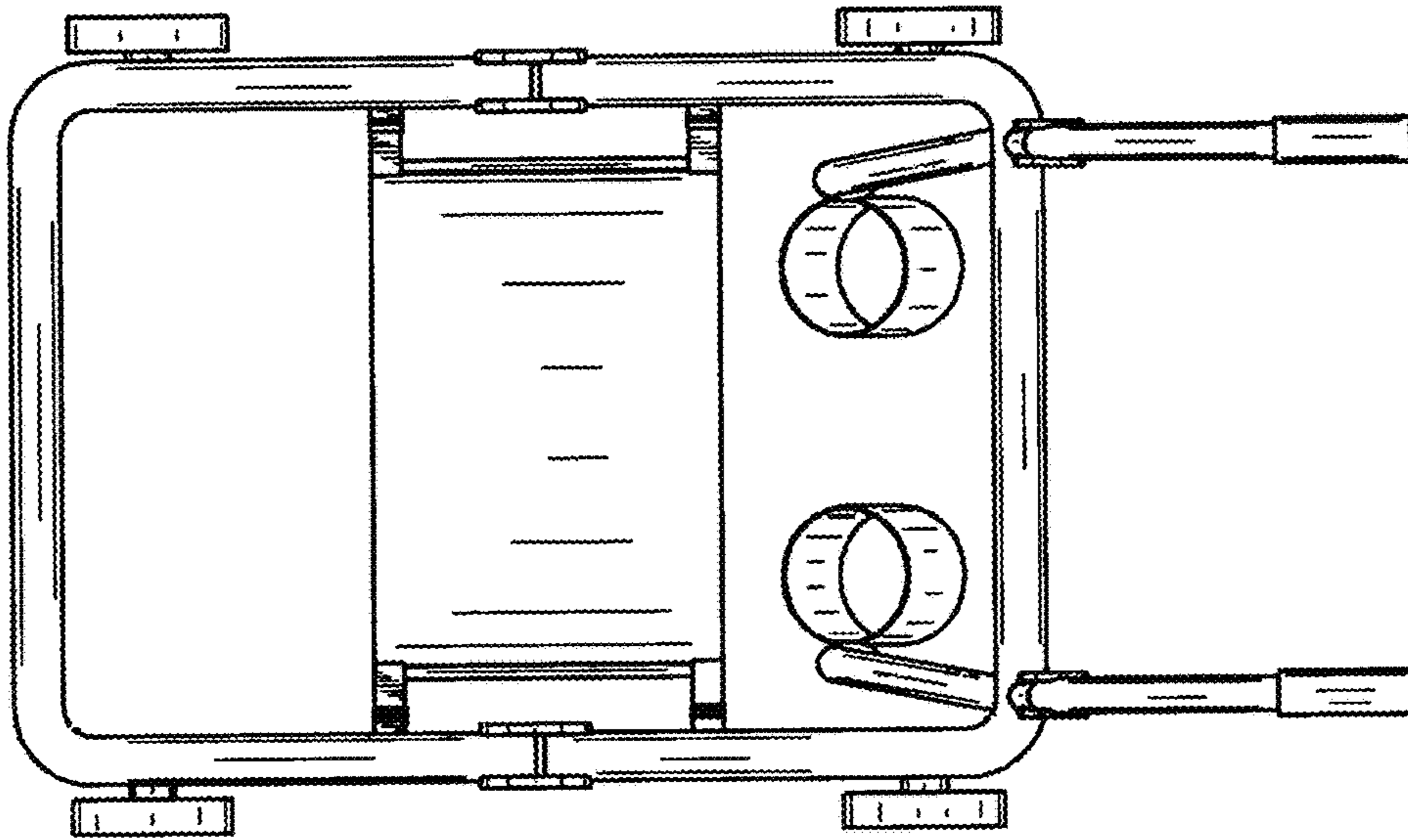


FIG. 7

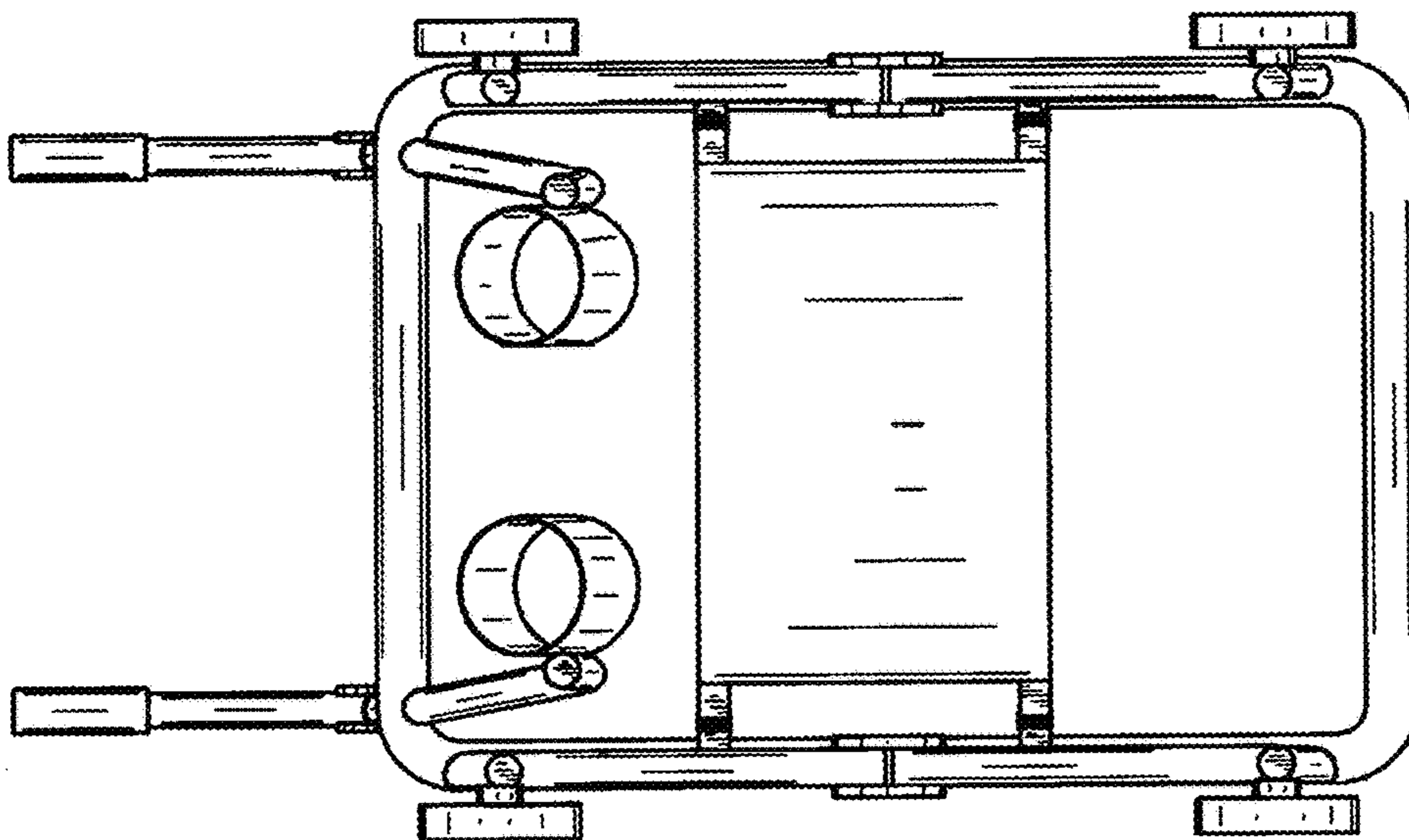


FIG. 6