



US00D813105S

(12) **United States Design Patent**
McCullough et al.

(10) **Patent No.:** **US D813,105 S**
(45) **Date of Patent:** **** Mar. 20, 2018**

- (54) **MOBILITY VEHICLE**
- (71) Applicant: **Pride Mobility Products Corporation**,
Exeter, PA (US)
- (72) Inventors: **Robert McCullough**, West Wyoming,
PA (US); **Kip Alder**, Harding, PA (US)
- (73) Assignee: **Pride Mobility Products Corporation**,
Exeter, PA (US)
- (**) Term: **15 Years**
- (21) Appl. No.: **29/595,141**
- (22) Filed: **Feb. 24, 2017**
- (51) **LOC (11) Cl.** **12-12**
- (52) **U.S. Cl.**
USPC **D12/128**
- (58) **Field of Classification Search**
USPC D12/128-133
CPC A61G 5/04; A61G 5/041-5/047; A61G
2005/048
See application file for complete search history.

D720,661 S *	1/2015	Siao	D12/131
D787,382 S *	5/2017	Elon	D12/133
D801,234 S *	10/2017	Elon	D12/133

OTHER PUBLICATIONS

Revo Brochure, <http://www.a1mobility.co.uk/uploaded/pride/pride-revo.jpg> dated Mar. 23, 2009, downloaded Aug. 10, 2017.

* cited by examiner

Primary Examiner — Charles Hanson

(74) *Attorney, Agent, or Firm* — Morgan, Lewis & Bockius LLP

(57) **CLAIM**

The ornamental design for a mobility vehicle, as shown and described.

DESCRIPTION

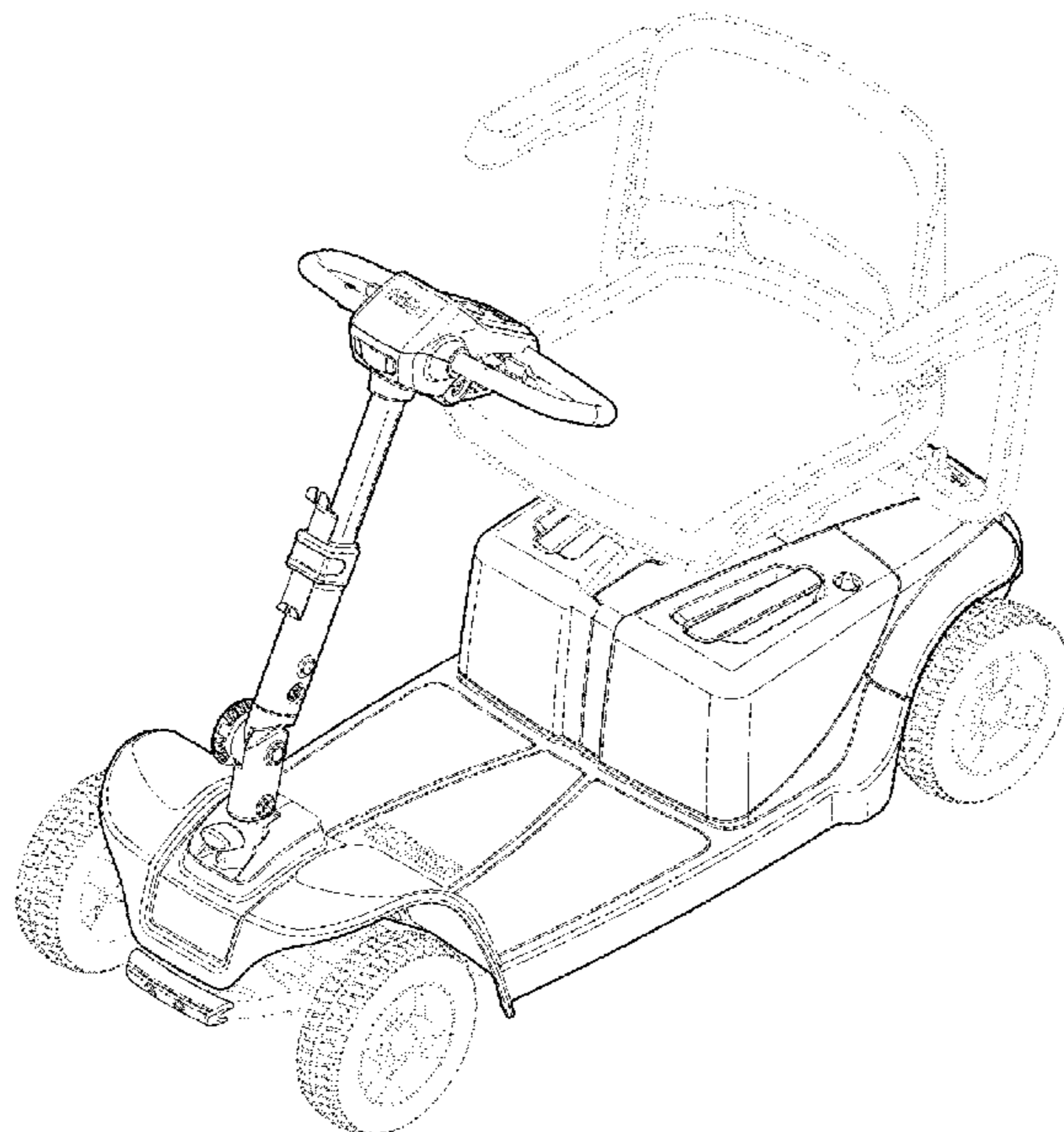
FIG. 1 is a front perspective view of a mobility vehicle showing our new design;
 FIG. 2 is a rear perspective view of a mobility vehicle shown in FIG. 1;
 FIG. 3 is a front elevational view of the mobility vehicle shown in FIG. 1;
 FIG. 4 is a rear elevational view of the mobility vehicle shown in FIG. 1;
 FIG. 5 is a left-side elevational view of the mobility vehicle shown in FIG. 1;
 FIG. 6 is a right-side elevational view of the mobility vehicle shown in FIG. 1;
 FIG. 7 is a top plan view of the mobility vehicle shown in FIG. 1; and,
 FIG. 8 is a bottom plan view of the mobility vehicle shown in FIG. 1.
 The broken lines shown in the drawings represent portions of the mobility vehicle that form no part of the claimed design.

(56) **References Cited**

U.S. PATENT DOCUMENTS

D444,422 S *	7/2001	Cheng	D12/128
D454,814 S *	3/2002	Ou	D12/128
D508,664 S *	8/2005	Armstrong	D12/128
D511,720 S *	11/2005	Chen	D12/128
D576,920 S *	9/2008	Yang	D12/107
D611,392 S *	3/2010	Carlton	D12/128
D612,303 S *	3/2010	Carlton	D12/128
D653,176 S *	1/2012	Jurkiewicz	D12/131
D656,070 S *	3/2012	Spalding	D12/131
D720,659 S *	1/2015	Tuckowski	D12/131

1 Claim, 5 Drawing Sheets



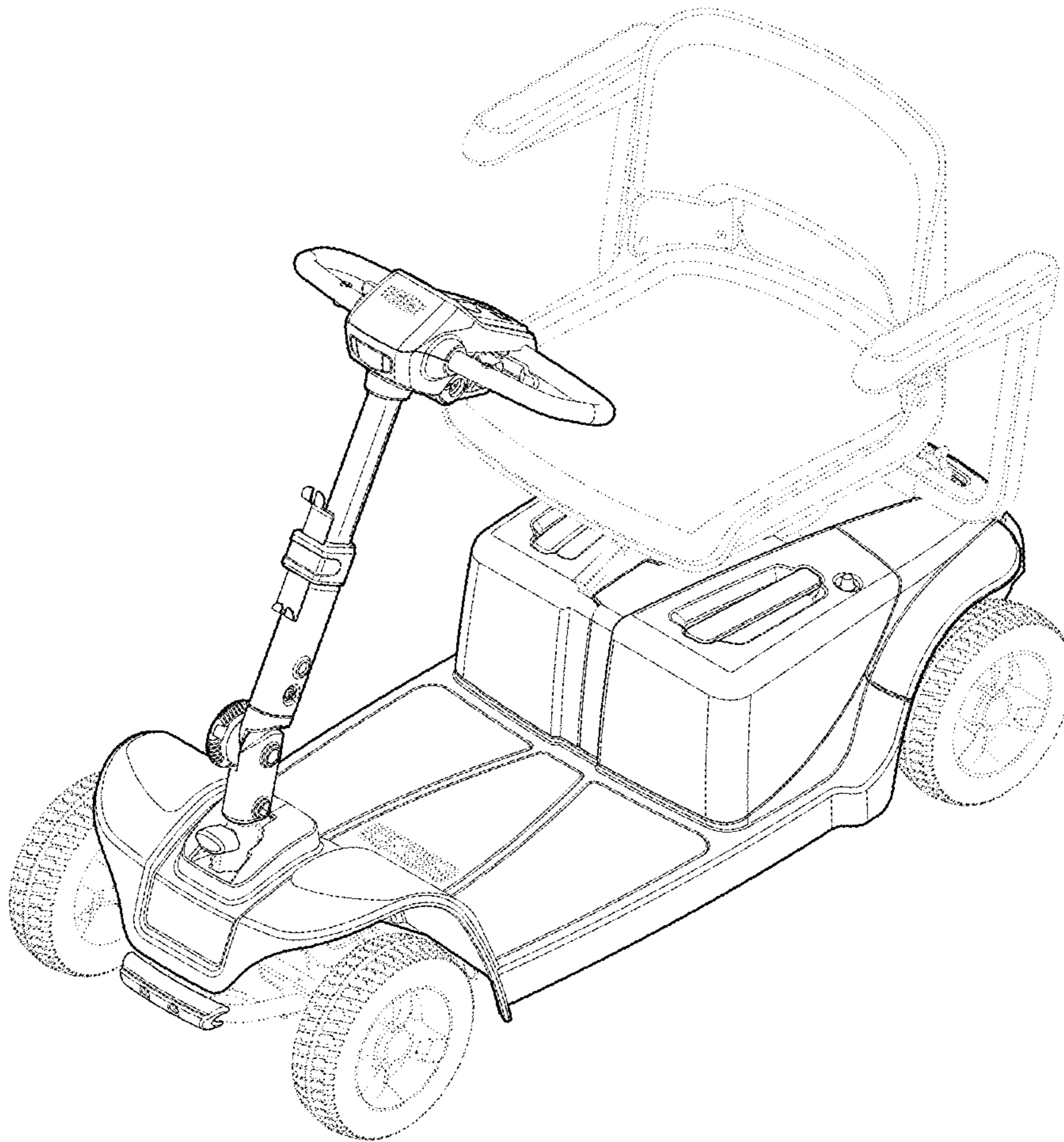


FIG. 1

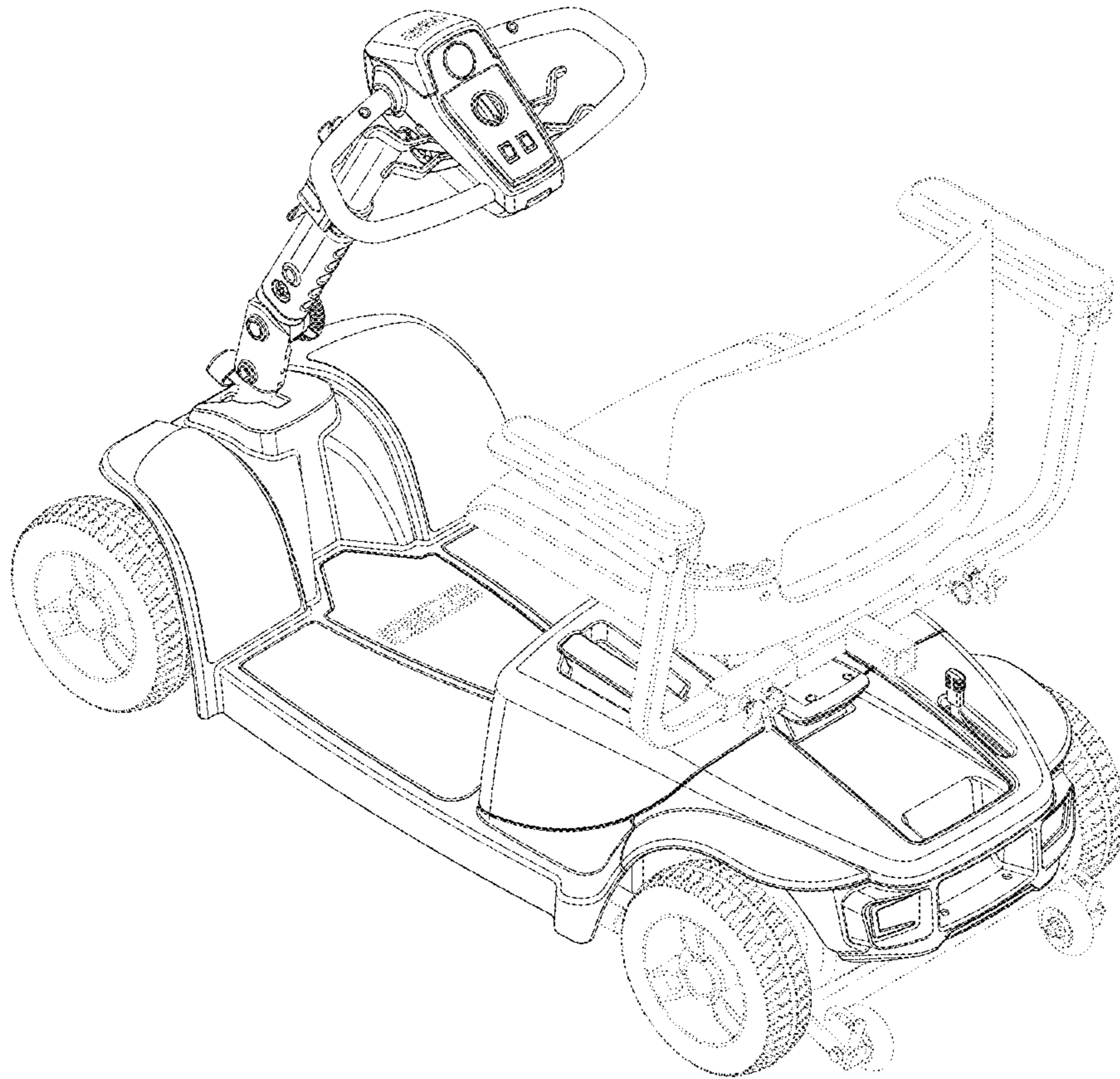


FIG. 2

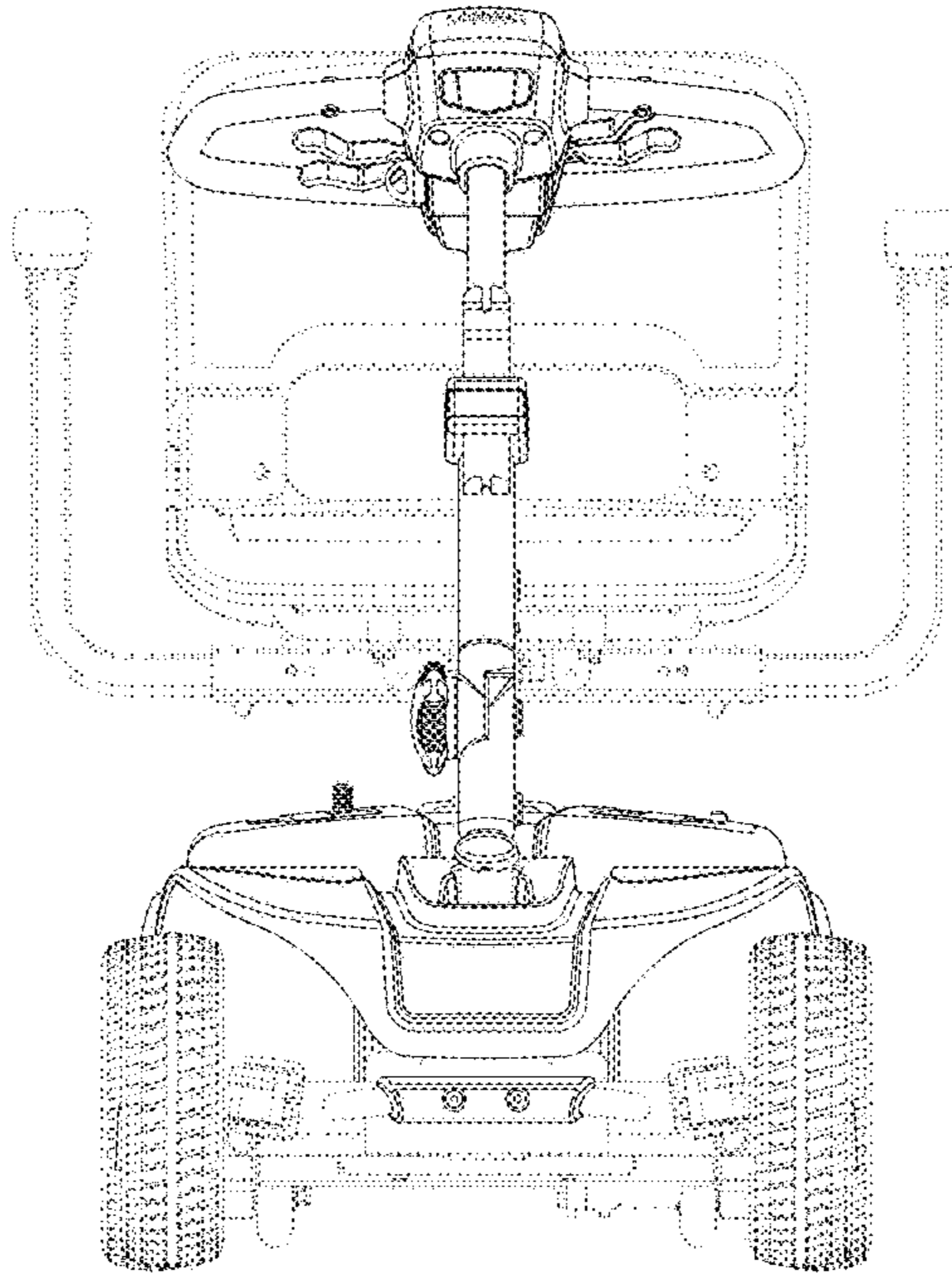


FIG. 3

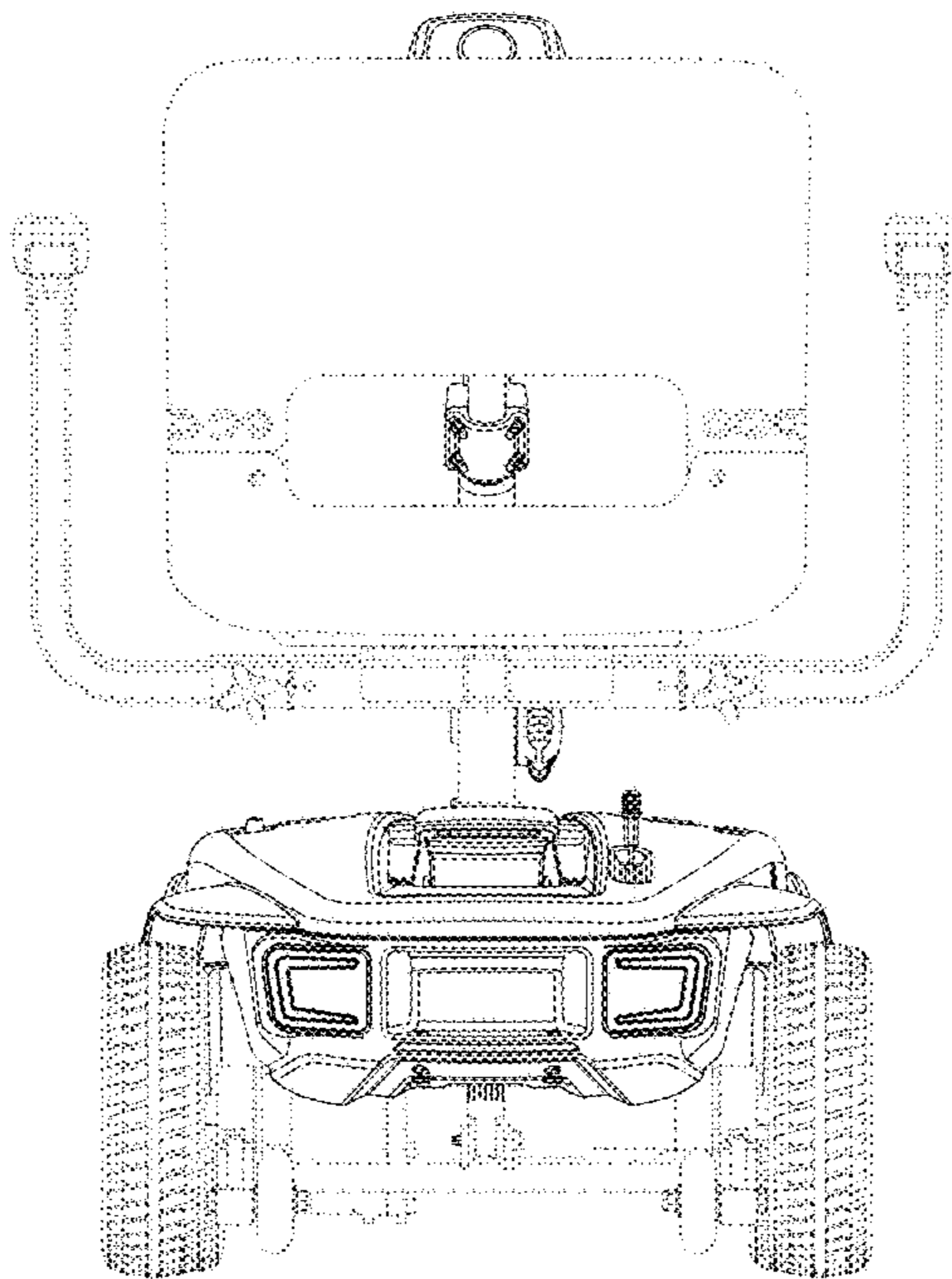


FIG. 4

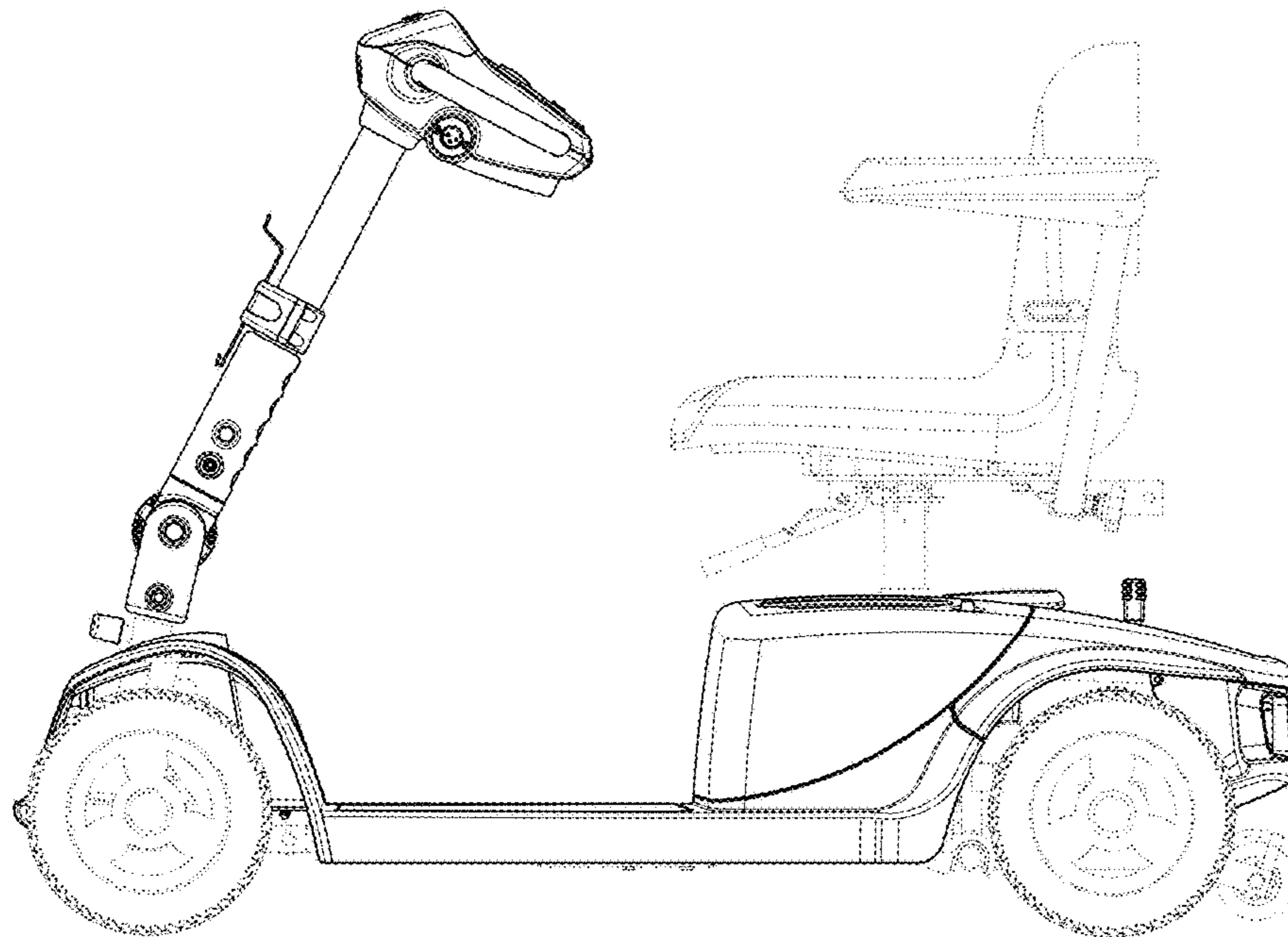


FIG. 5

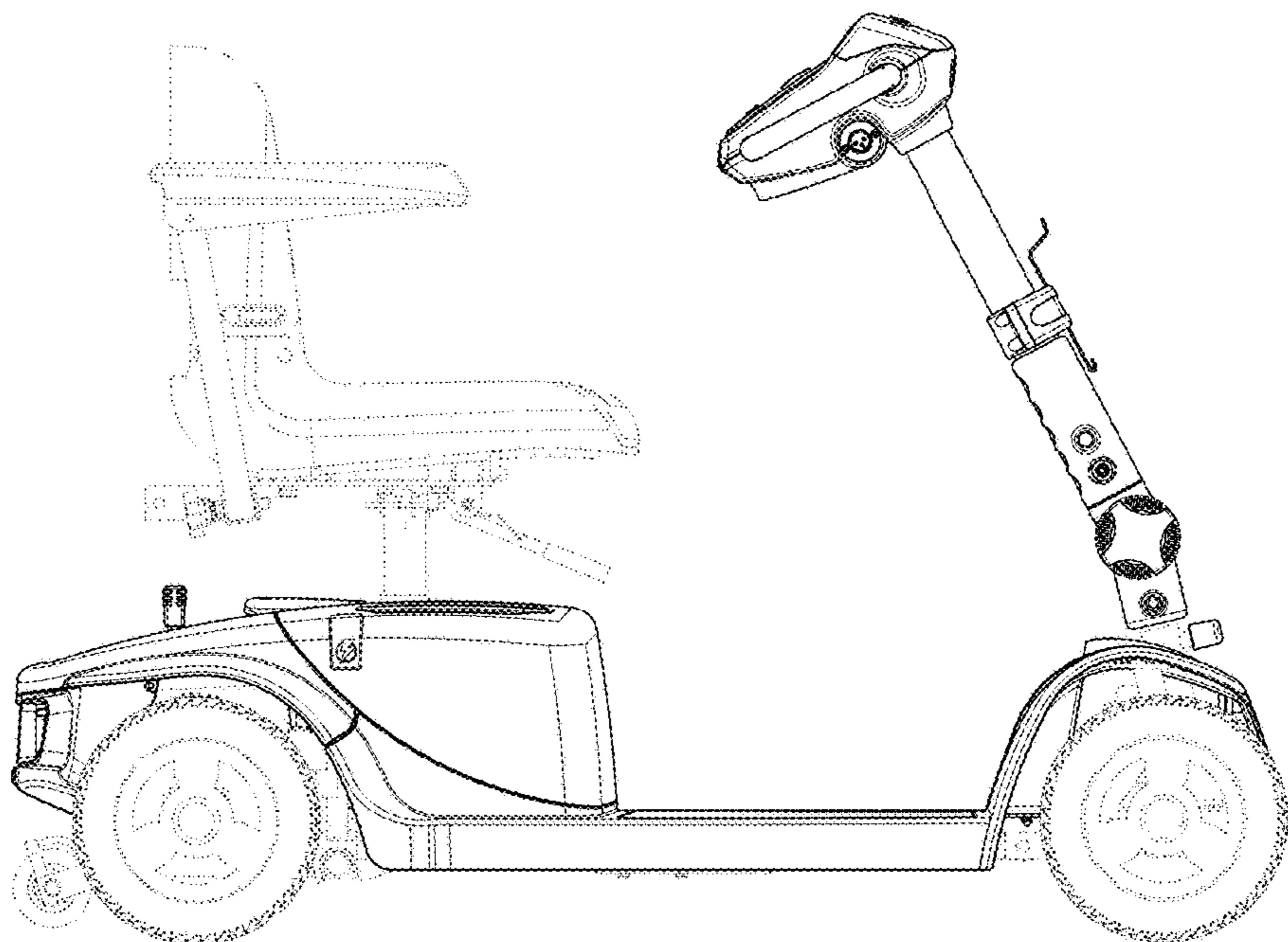


FIG. 6

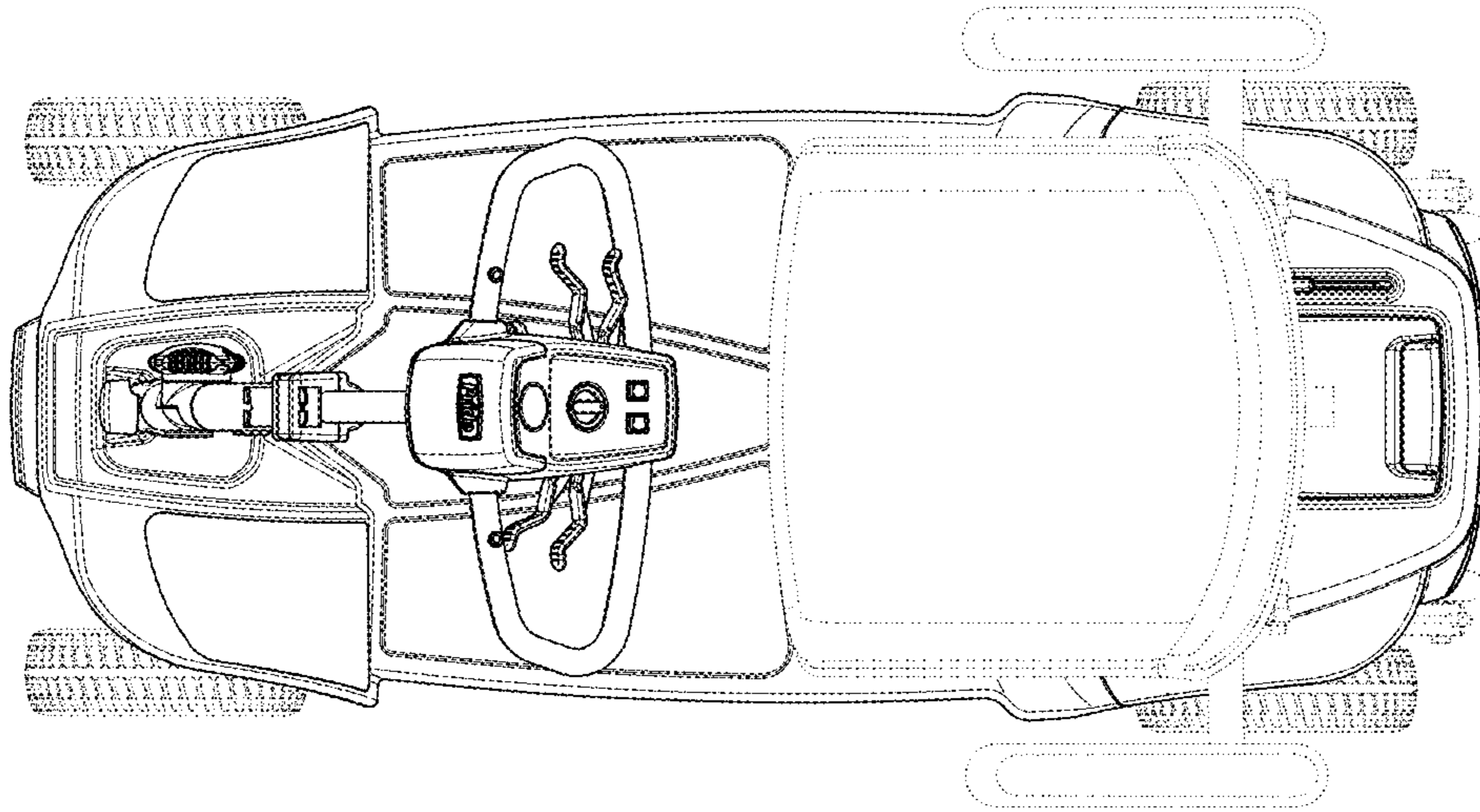


FIG. 7

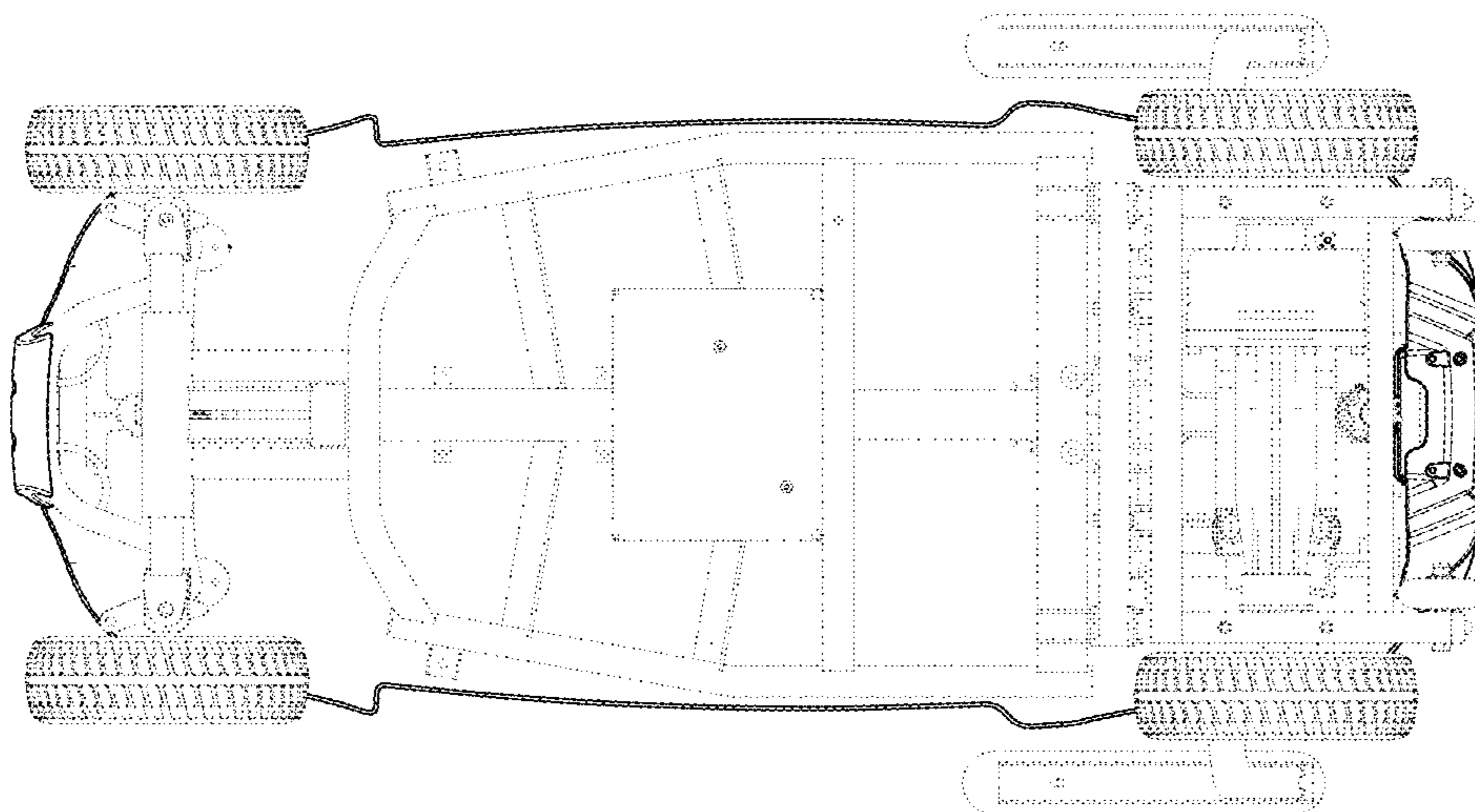


FIG. 8