



US00D813102S

(12) **United States Design Patent**
Talios et al.

(10) **Patent No.:** **US D813,102 S**
(45) **Date of Patent:** **** Mar. 20, 2018**

- (54) **ELECTRIC DRIFTING TRICYCLE**
- (71) Applicant: **Dynacraft BSC, Inc.**, American Canyon, CA (US)
- (72) Inventors: **Bill Talios**, Petaluma, CA (US); **John Bisges**, Buford, GA (US); **David Castrucci**, Napa, CA (US)
- (73) Assignee: **DYNACRAFT BSC, INC.**, American Canyon, CA (US)
- (**) Term: **15 Years**
- (21) Appl. No.: **29/536,163**
- (22) Filed: **Aug. 13, 2015**
- (51) **LOC (11) Cl.** **12-11**
- (52) **U.S. Cl.**
USPC **D12/112**
- (58) **Field of Classification Search**
USPC D12/1, 107, 110–114, 129, 130, 133;
D21/412, 414, 419, 423–428, 431–435;
280/29, 47.17, 47.25, 47.34, 47.38, 47.4,
280/87.01, 87.021, 87.05, 87.051, 200,
280/263, 266, 267, 270, 282, 288.4, 291,
280/293, 827, 828
CPC B62K 3/005; B62K 9/02; B62M 1/32;
B62M 1/38
See application file for complete search history.

4,168,846 A *	9/1979	Carren	B62K 5/02 280/278
4,497,502 A	2/1985	Forbes et al.	
4,498,887 A	2/1985	Cook	
D277,947 S	3/1985	Blumenthal	
4,509,931 A	4/1985	Lambert et al.	
D280,309 S	8/1985	Forbes et al.	
4,546,991 A	10/1985	Allen et al.	
4,565,539 A	1/1986	Cook	
4,657,270 A	4/1987	Allen et al.	
4,732,049 A	3/1988	Beny et al.	
5,273,478 A	12/1993	Yamasaki	
5,497,844 A	3/1996	Fritzinger	
5,699,869 A	12/1997	Fritzinger et al.	
5,714,815 A	2/1998	Fritzinger et al.	
5,762,533 A	6/1998	Tilbor et al.	
5,791,964 A	8/1998	Pohlman	
6,321,863 B1	11/2001	Vanjani	
6,390,216 B1	5/2002	Sueshinge et al.	
6,439,949 B1	8/2002	Lucas et al.	

(Continued)

Primary Examiner — Darlington Ly
(74) *Attorney, Agent, or Firm* — Michael Best & Friedrich LLP

(57) **CLAIM**

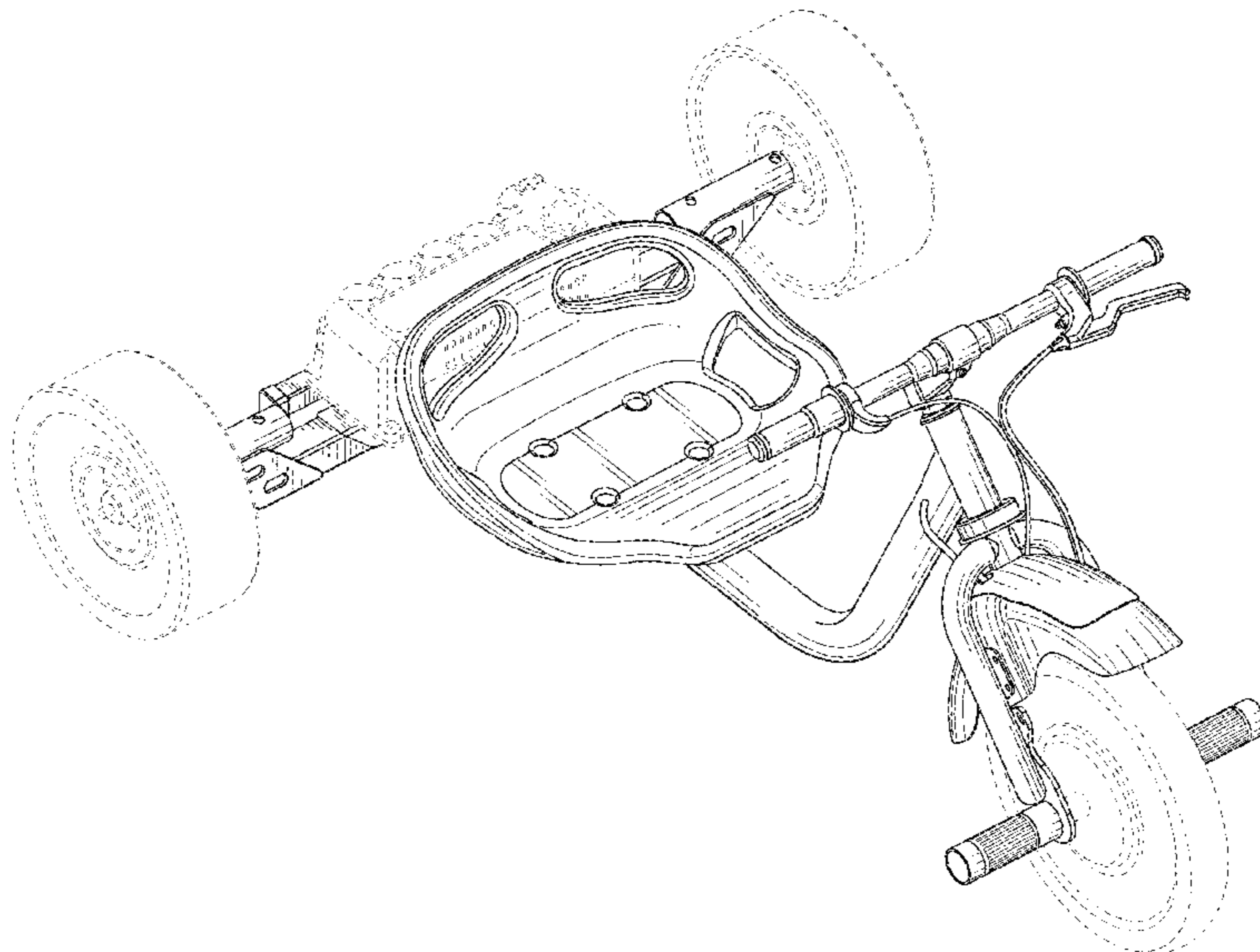
The ornamental design for an electric drifting tricycle, as shown and described.

DESCRIPTION

FIG. 1 is a top perspective view of an electric drifting tricycle showing our new design;
FIG. 2 is a right side elevational view of FIG. 1;
FIG. 3 is a left side elevational view of FIG. 1;
FIG. 4 is a front elevational view of FIG. 1;
FIG. 5 is a rear elevational view of FIG. 1;
FIG. 6 is a top plan view of FIG. 1; and,
FIG. 7 is a bottom plan view of FIG. 1.
The broken lines in the drawings illustrate portions of the electric drifting tricycle that form no part of the claimed design.

1 Claim, 6 Drawing Sheets

- (56) **References Cited**
U.S. PATENT DOCUMENTS
D224,254 S * 7/1972 Hill D12/112
D231,209 S * 4/1974 Williams 280/282
D250,105 S 10/1978 Michelau
4,135,328 A 1/1979 Yamasaki
4,141,256 A 2/1979 Wilson et al.
D251,264 S * 3/1979 Cook D12/112
4,154,121 A 5/1979 Yamasaki



(56)

References Cited

U.S. PATENT DOCUMENTS

6,551,169 B2	4/2003	Jaffe		8,517,406 B2	8/2013	Diekman et al.	
D480,024 S *	9/2003	Gunter	D12/112	8,534,689 B2	9/2013	Jessie, Jr.	
D480,336 S	10/2003	Yang		D690,776 S	10/2013	Doherty et al.	
D480,665 S *	10/2003	Gunter	D12/112	8,567,547 B2	10/2013	Kulatunga	
D483,420 S *	12/2003	DeLong	D21/424	D693,415 S *	11/2013	Doherty	D12/112
D484,073 S *	12/2003	Heinemann	D12/112	8,596,649 B2 *	12/2013	Bricker	B62K 9/02 280/282
D493,391 S	7/2004	Gunter		8,631,892 B2	1/2014	Constin	
6,771,034 B2	8/2004	Reile et al.		8,746,723 B2	6/2014	Chen et al.	
D498,709 S	11/2004	Sramek		8,820,460 B2	9/2014	Chen et al.	
6,889,784 B2	5/2005	Troll		8,820,461 B2	9/2014	Shinde et al.	
7,281,725 B1	10/2007	Gunter et al.		D714,693 S *	10/2014	Bartels	D12/112
D564,041 S *	3/2008	Rodriguez	D21/435	D714,878 S	10/2014	Bean et al.	
D569,448 S	5/2008	Sramek et al.		8,875,831 B2	11/2014	Kermani	
D575,352 S	8/2008	Sramek et al.		8,926,396 B2	1/2015	Lennon	
D582,489 S *	12/2008	Badanjo	D21/435	2004/0178011 A1	9/2004	Lenkman	
D593,910 S *	6/2009	Calvin	D12/112	2011/0168465 A1	7/2011	Starr	
7,658,252 B2	2/2010	Shapiro		2011/0168466 A1	7/2011	Starr	
7,749,046 B2	7/2010	Miva et al.		2011/0259658 A1	10/2011	Huang et al.	
D625,932 S	10/2010	Jessie, Jr.		2012/0012413 A1	1/2012	Tsai et al.	
7,823,675 B2	11/2010	Kermani		2012/0256389 A1 *	10/2012	Chen	B62J 6/00 280/259
D630,158 S	1/2011	Jessie, Jr.		2012/0292880 A1	11/2012	Bapst	
7,967,095 B2	1/2011	Kosco et al.		2013/0256048 A1 *	10/2013	Chen	B62K 5/027 180/211
7,946,373 B2	5/2011	Gibson		2014/0090910 A1	4/2014	Treadway et al.	
D645,381 S *	9/2011	Bricker	D12/112	2014/0097594 A1	4/2014	Barchek et al.	
8,066,089 B2	11/2011	Murad		2014/0265233 A1	9/2014	Jessie, Jr. et al.	
8,167,074 B1	5/2012	Tsiyoni		2014/0311815 A1	10/2014	Reck	
8,262,114 B2	9/2012	Jessie, Jr.		2015/0041231 A1	2/2015	Chen et al.	
8,356,686 B2	1/2013	Kermani					
D682,746 S	5/2013	Doherty et al.					

* cited by examiner

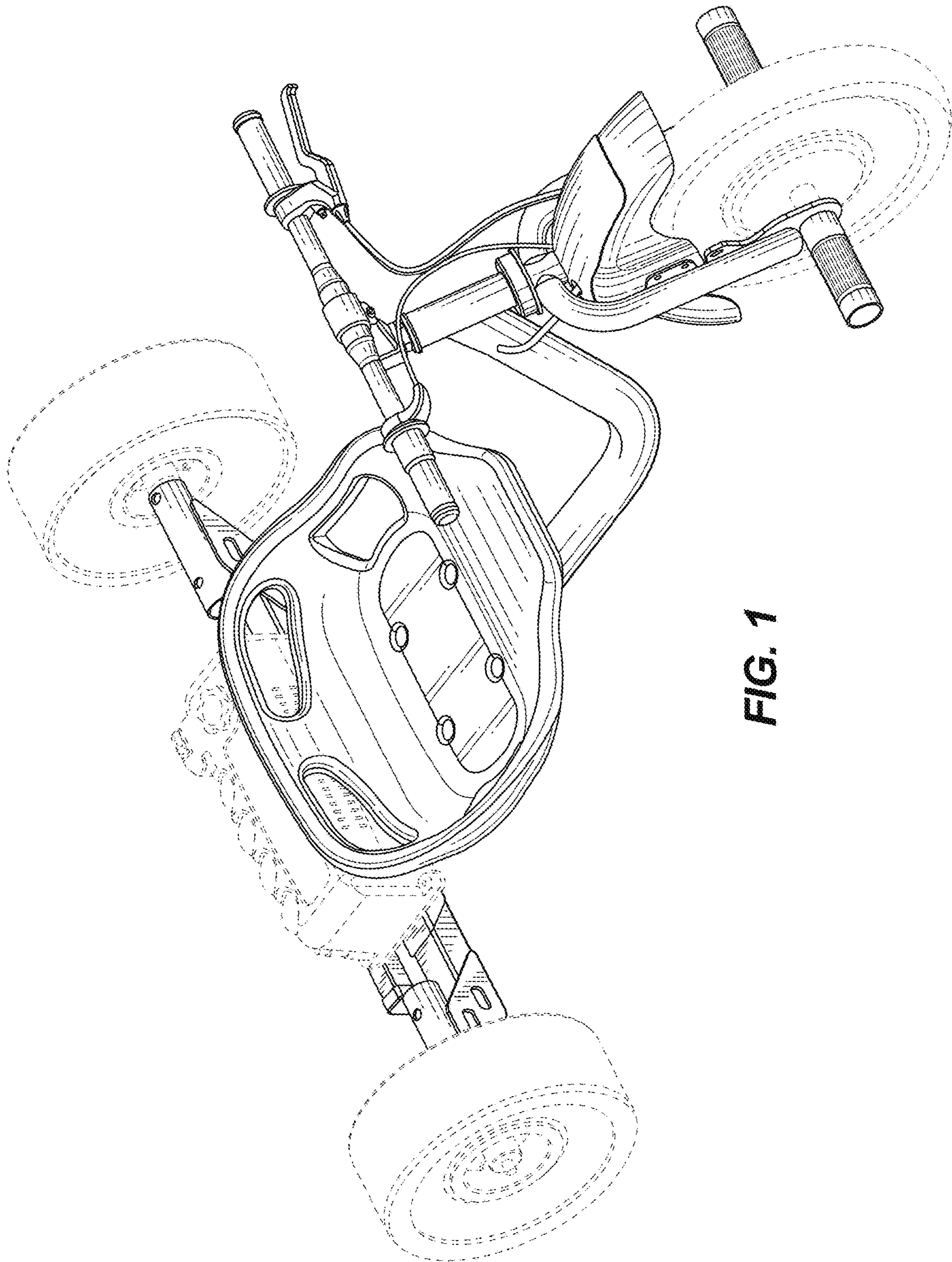


FIG. 1

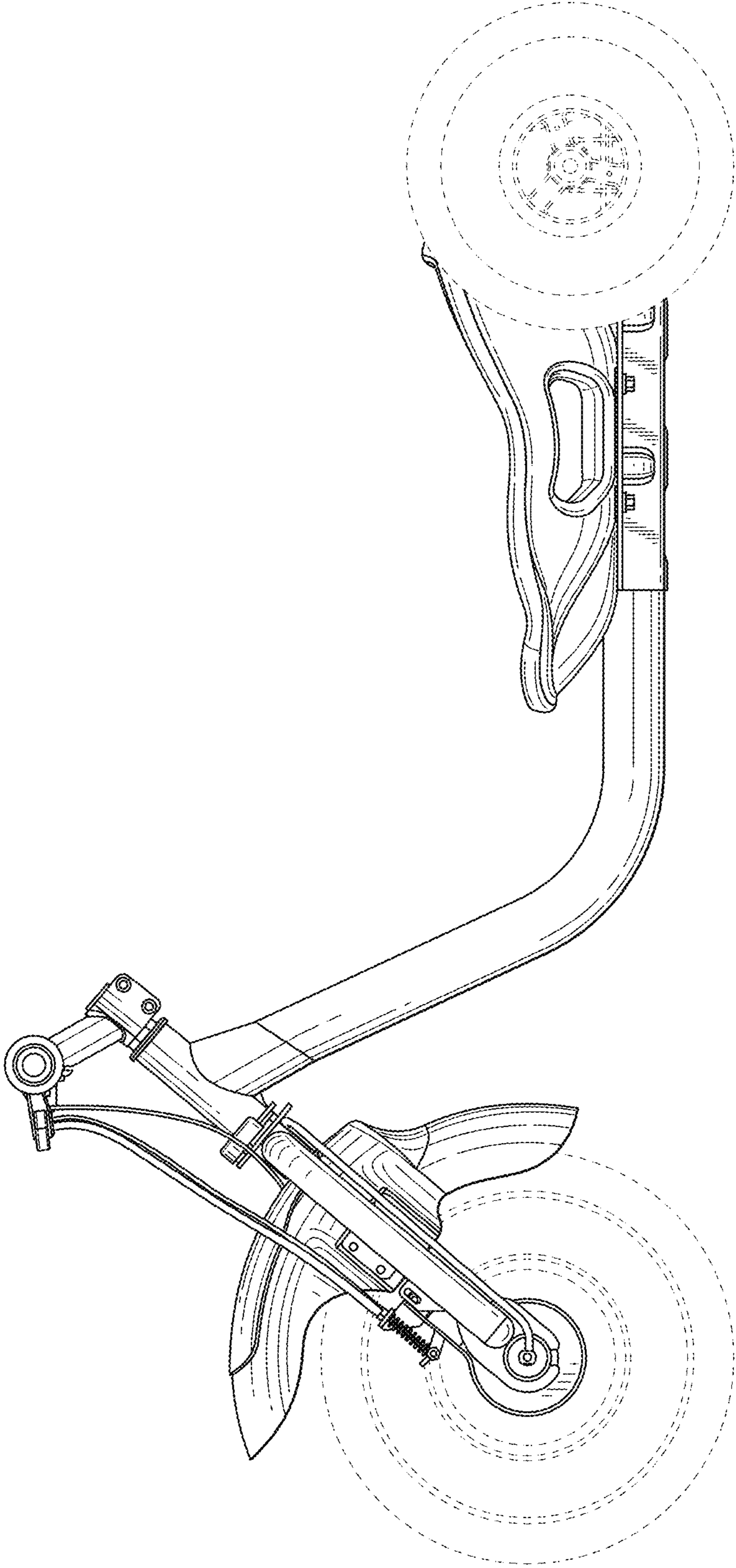


FIG. 2

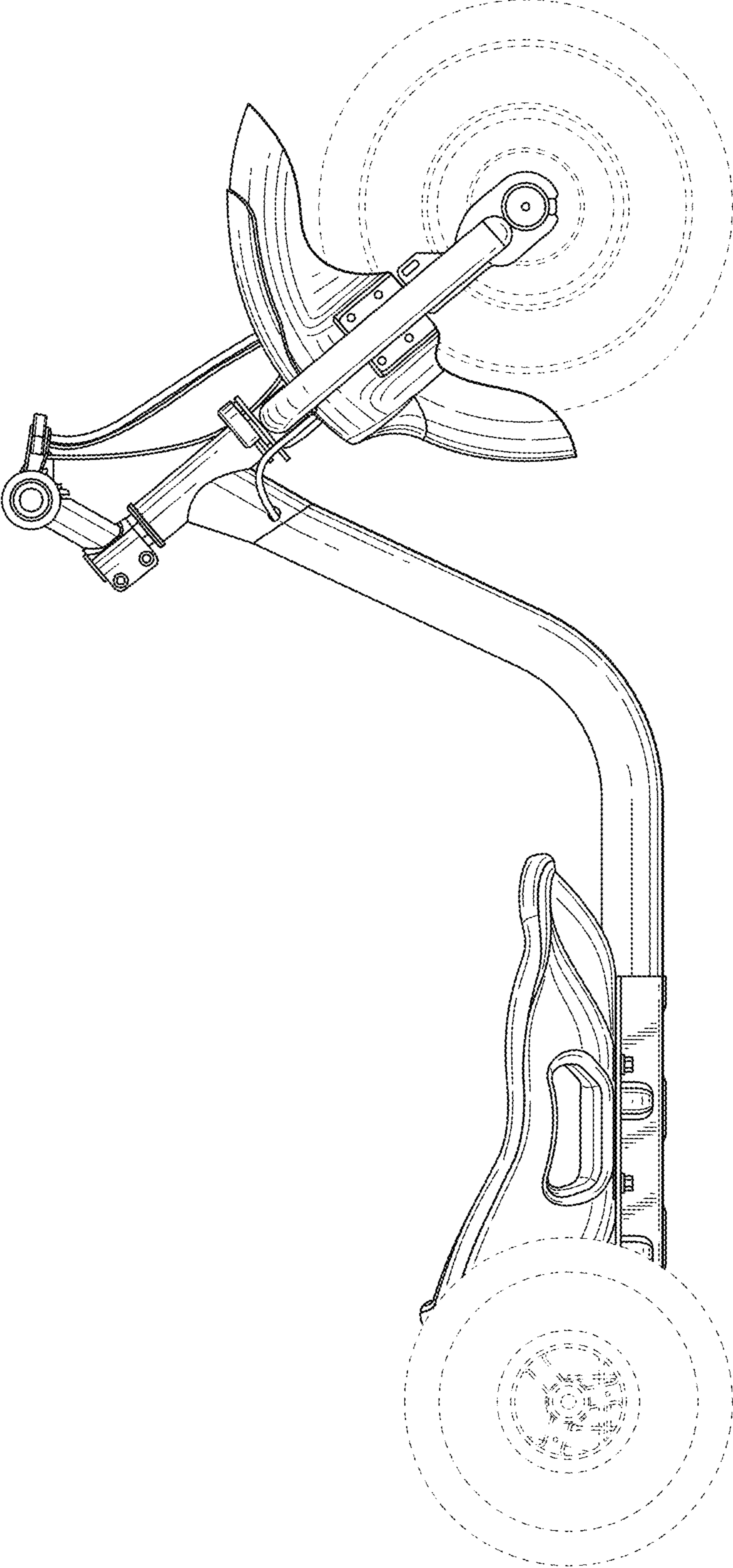


FIG. 3

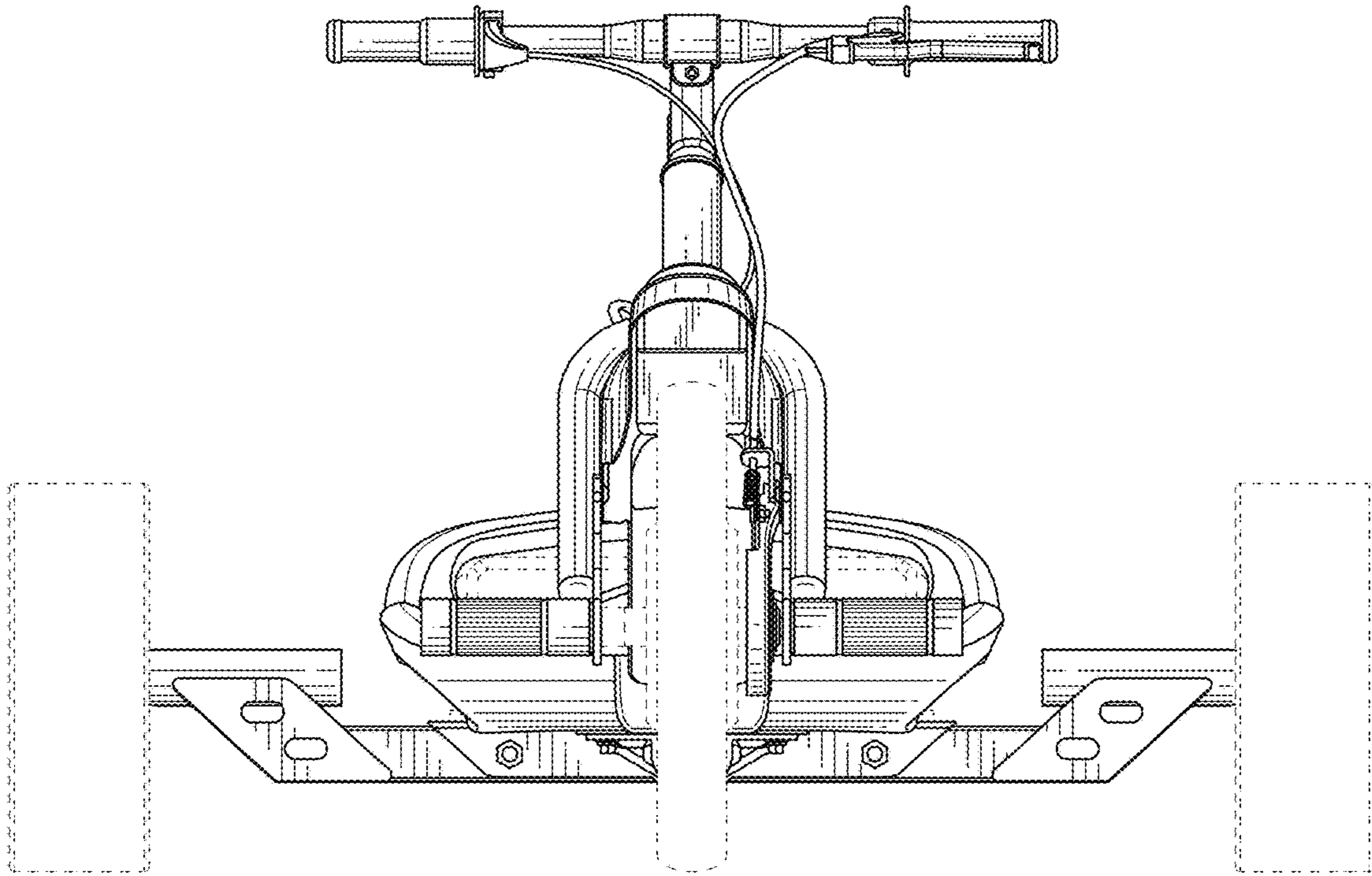


FIG. 4

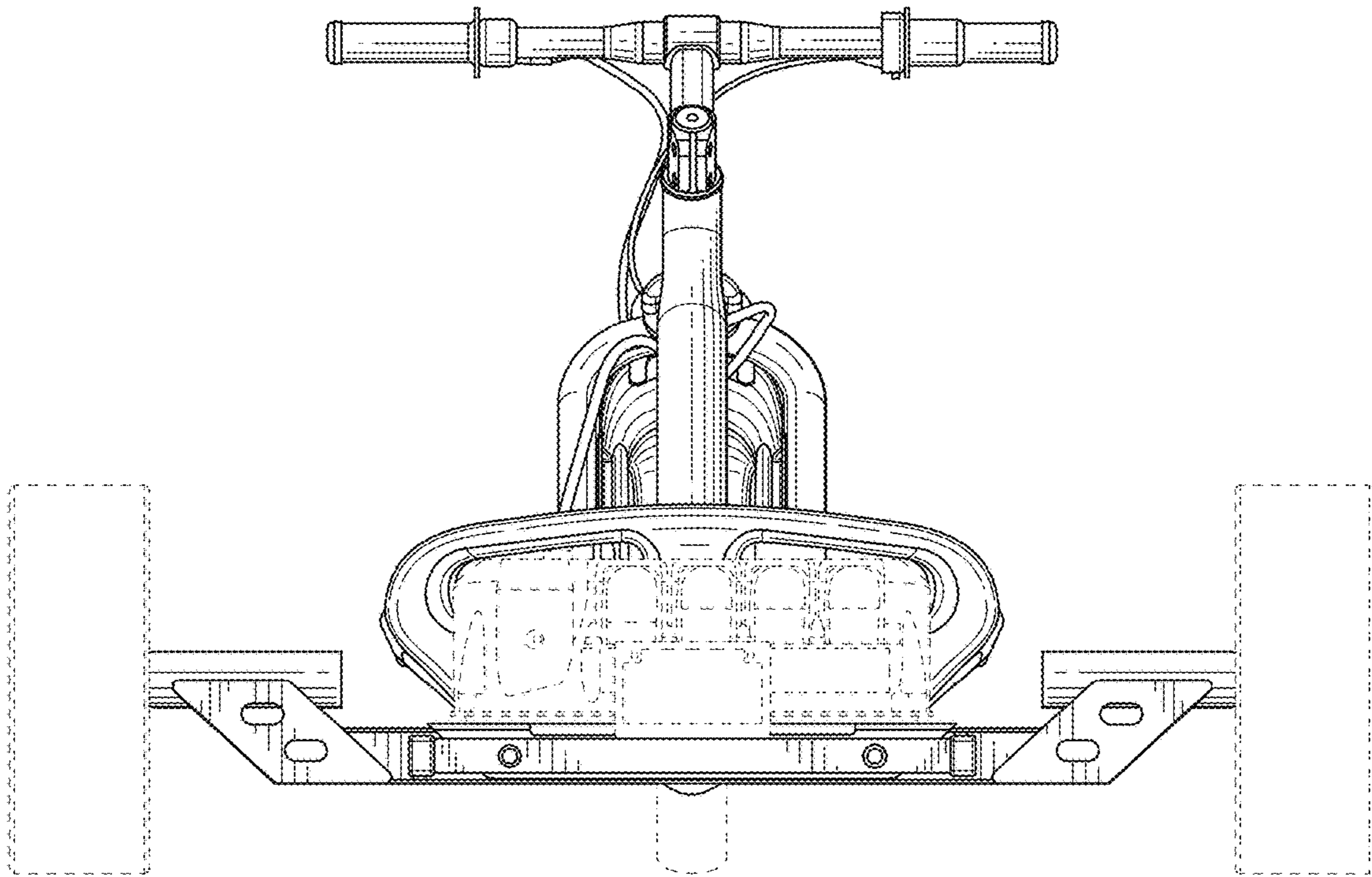


FIG. 5

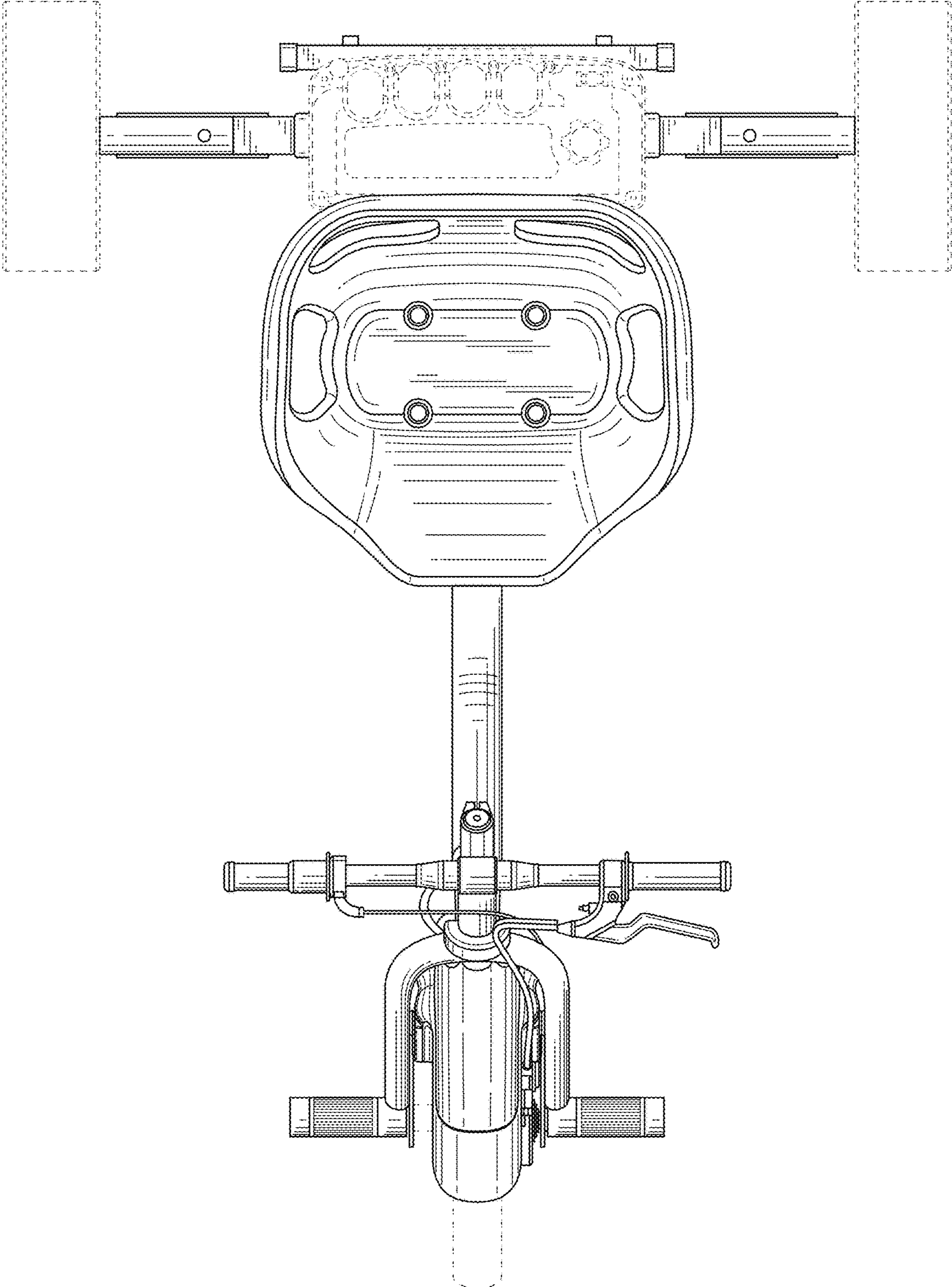


FIG. 6

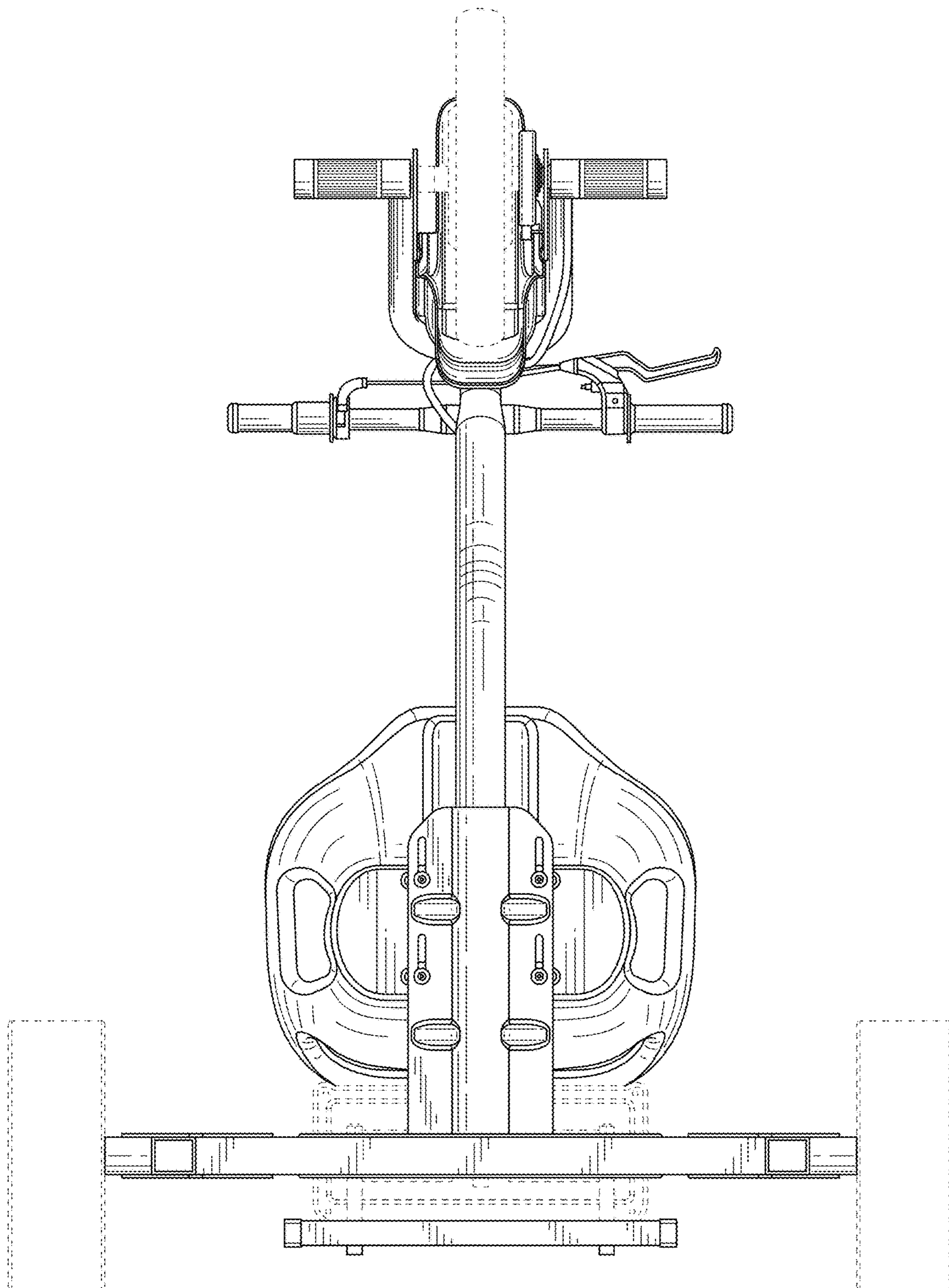


FIG. 7