



US00D813101S

(12) **United States Design Patent** (10) **Patent No.:** **US D813,101 S**  
**Devine et al.** (45) **Date of Patent:** **\*\* Mar. 20, 2018**

(54) **TRAVEL TRAILER**  
(71) Applicant: **Thor Tech, Inc.**, Elkhart, IN (US)  
(72) Inventors: **James Jack Owen Devine**, Jackson Center, OH (US); **Dale Beever**, San Juan Capistrano, CA (US); **Raymond McKay Featherstone**, Tipp City, OH (US); **Bryan M. Fox**, Chicago, IL (US); **Dana Kim Gehman**, Marysville, OH (US); **Bradley J. Mitchell**, Chicago, IL (US); **Robert Owen Sanford**, DeGraff, OH (US); **Bryan Thompson**, Beverly Hills, CA (US)

D378,583 S 3/1997 Aitken  
D389,785 S 1/1998 Guzak  
D391,526 S 3/1998 Kass et al.  
5,938,261 A 8/1999 Faba  
D443,561 S 6/2001 Voogt  
D510,545 S 10/2005 Riegel et al.  
D580,071 S \* 11/2008 Evans ..... D25/10  
D603,299 S \* 11/2009 Prusmack ..... D12/102  
D625,666 S \* 10/2010 Treleaven ..... D12/102  
D653,588 S \* 2/2012 Heard ..... D12/102  
D659,595 S \* 5/2012 Eliason ..... D12/102  
D664,072 S \* 7/2012 Halloran ..... D12/102  
D737,725 S \* 9/2015 Bell ..... D12/102  
D759,546 S \* 6/2016 Van Wyk ..... D12/102  
D759,547 S \* 6/2016 Van Wyk ..... D12/102  
D759,548 S \* 6/2016 Swartz ..... D12/105  
D782,938 S \* 4/2017 Cohen ..... D12/93

(73) Assignee: **Thor Tech, Inc.**, Elkhart, IN (US)

(\*\*) Term: **15 Years**

(21) Appl. No.: **29/547,401**

(22) Filed: **Dec. 3, 2015**

(51) **LOC (11) Cl.** ..... **12-10**

(52) **U.S. Cl.**  
USPC ..... **D12/102**

(58) **Field of Classification Search**  
USPC ..... D12/100-106, 19, 129, 111-112;  
D21/425, 435; D34/21-26, 12, 16-19  
CPC ..... B60P 3/0257; B60P 3/1033  
See application file for complete search history.

(56) **References Cited**

**U.S. PATENT DOCUMENTS**

D309,124 S \* 7/1990 Young ..... D12/102  
D349,429 S 8/1994 Morehead  
D357,214 S \* 4/1995 McCaffrey ..... D12/105

\* cited by examiner

*Primary Examiner* — Katrina A Betton

(74) *Attorney, Agent, or Firm* — Dinsmore & Shohl LLP

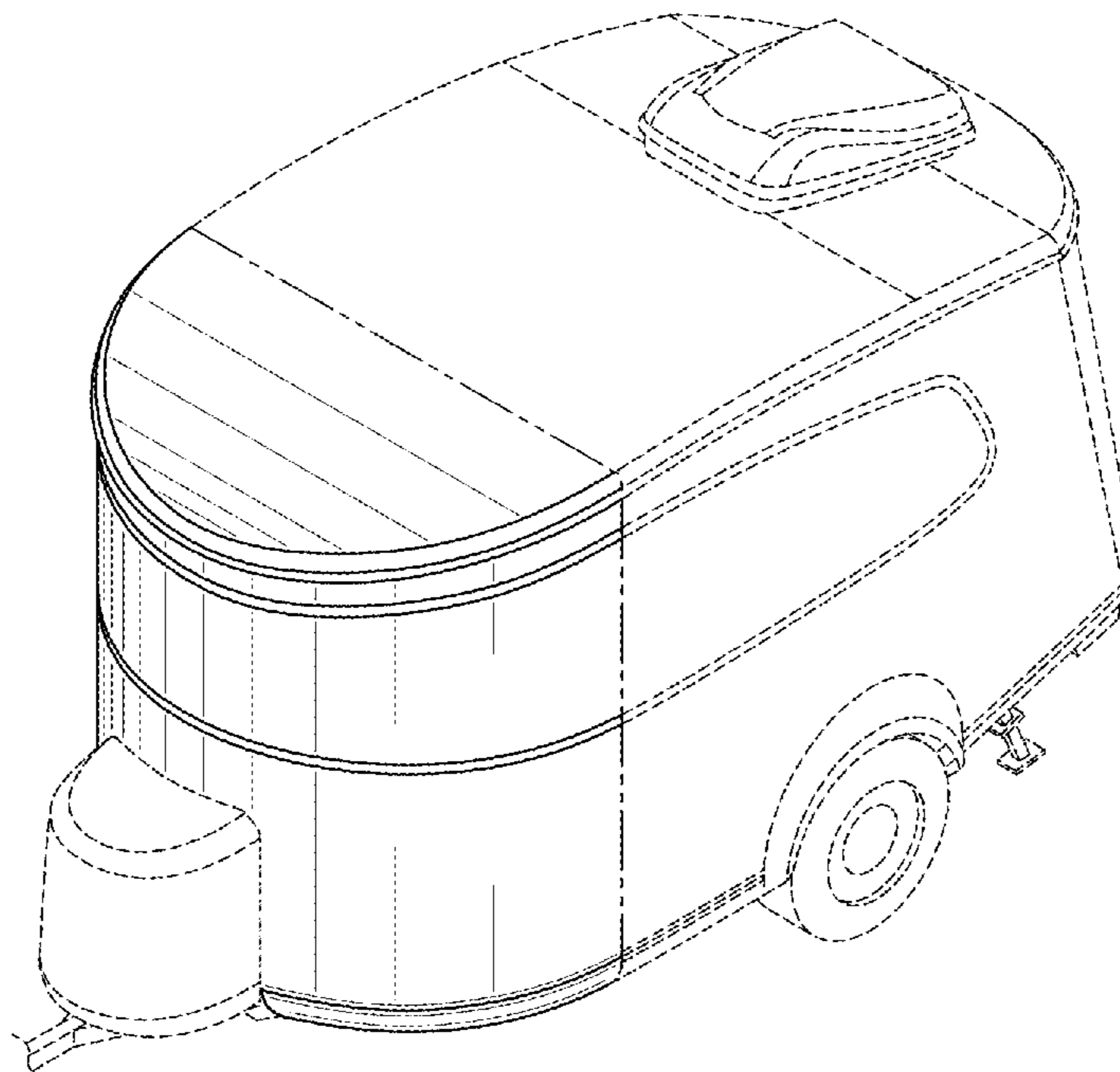
(57) **CLAIM**

The ornamental design for a travel trailer, as shown.

**DESCRIPTION**

FIG. 1 is a perspective view of a travel trailer illustrating my new design;  
FIG. 2 is a side view of the design of FIG. 1;  
FIG. 3 is a another side view of the design of FIG. 1;  
FIG. 4 is a front view of the design of FIG. 1;  
FIG. 5 is a rear view of the design of FIG. 1; and,  
FIG. 6 is a top view of the design of FIG. 1.  
The broken lines represent portions of the structure that form no part of the claim. The dot-dashed line shown in FIGS. 13-24 represents a boundary line that forms no part of the claim.

**1 Claim, 5 Drawing Sheets**



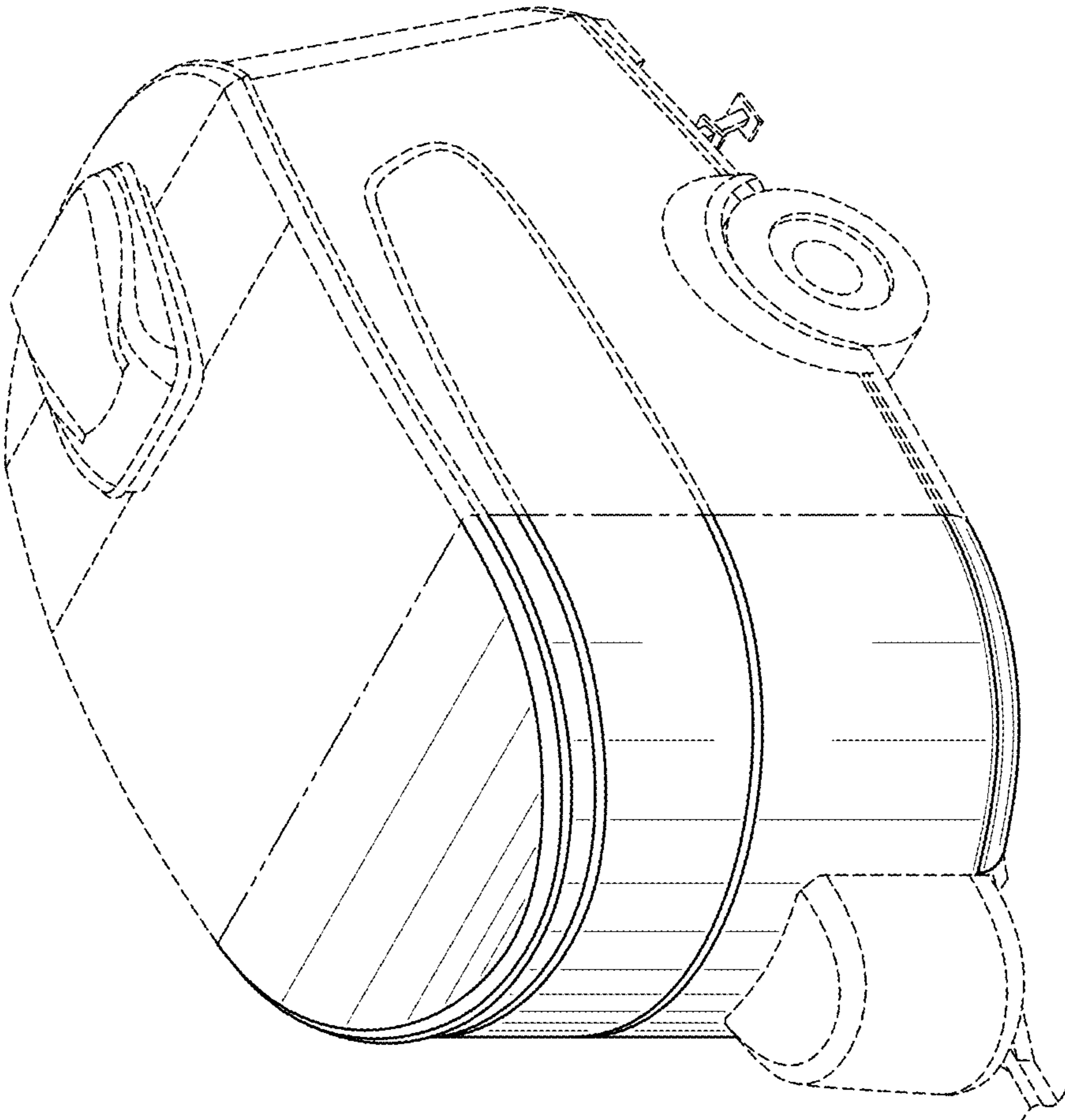


FIG. 1

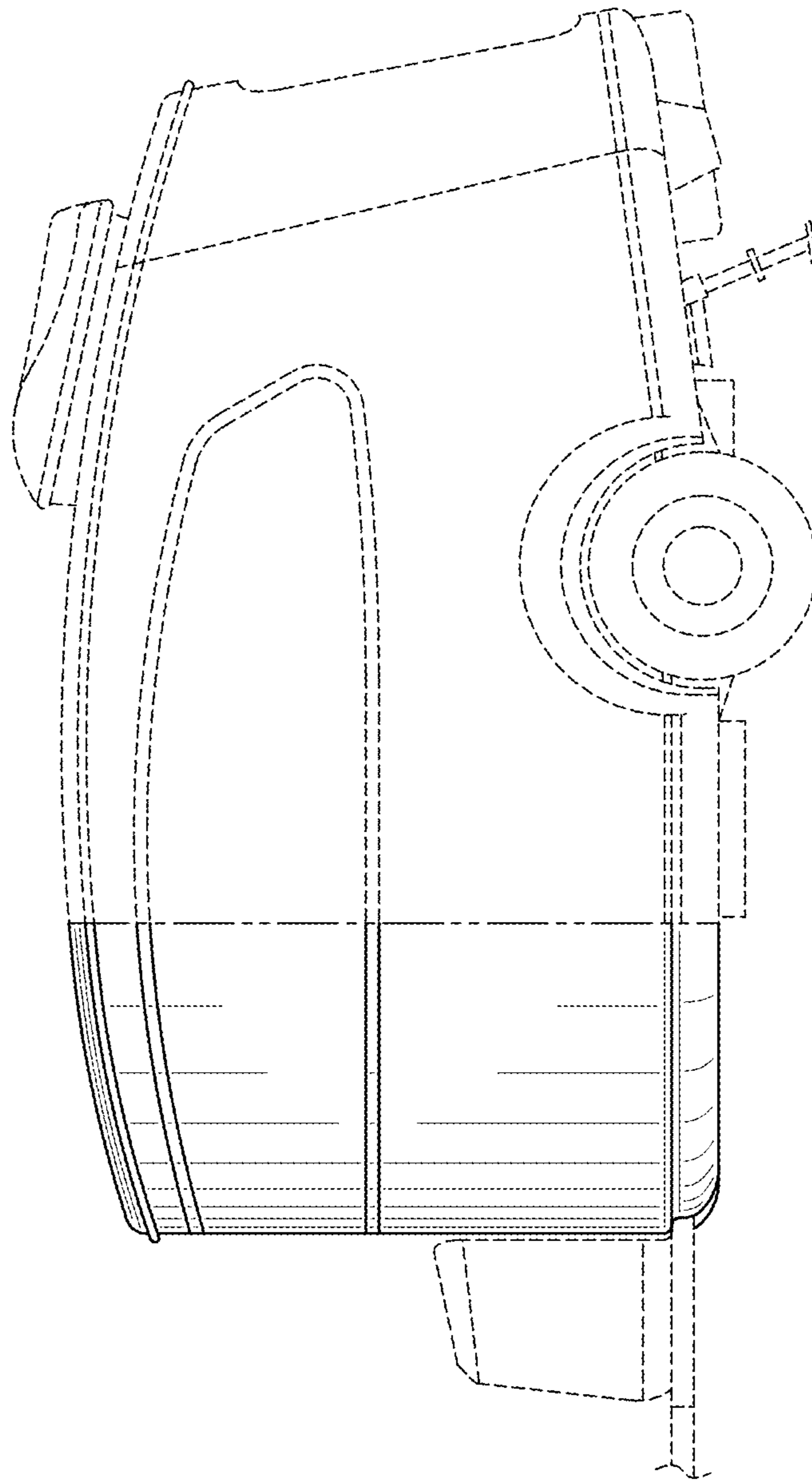


FIG. 2

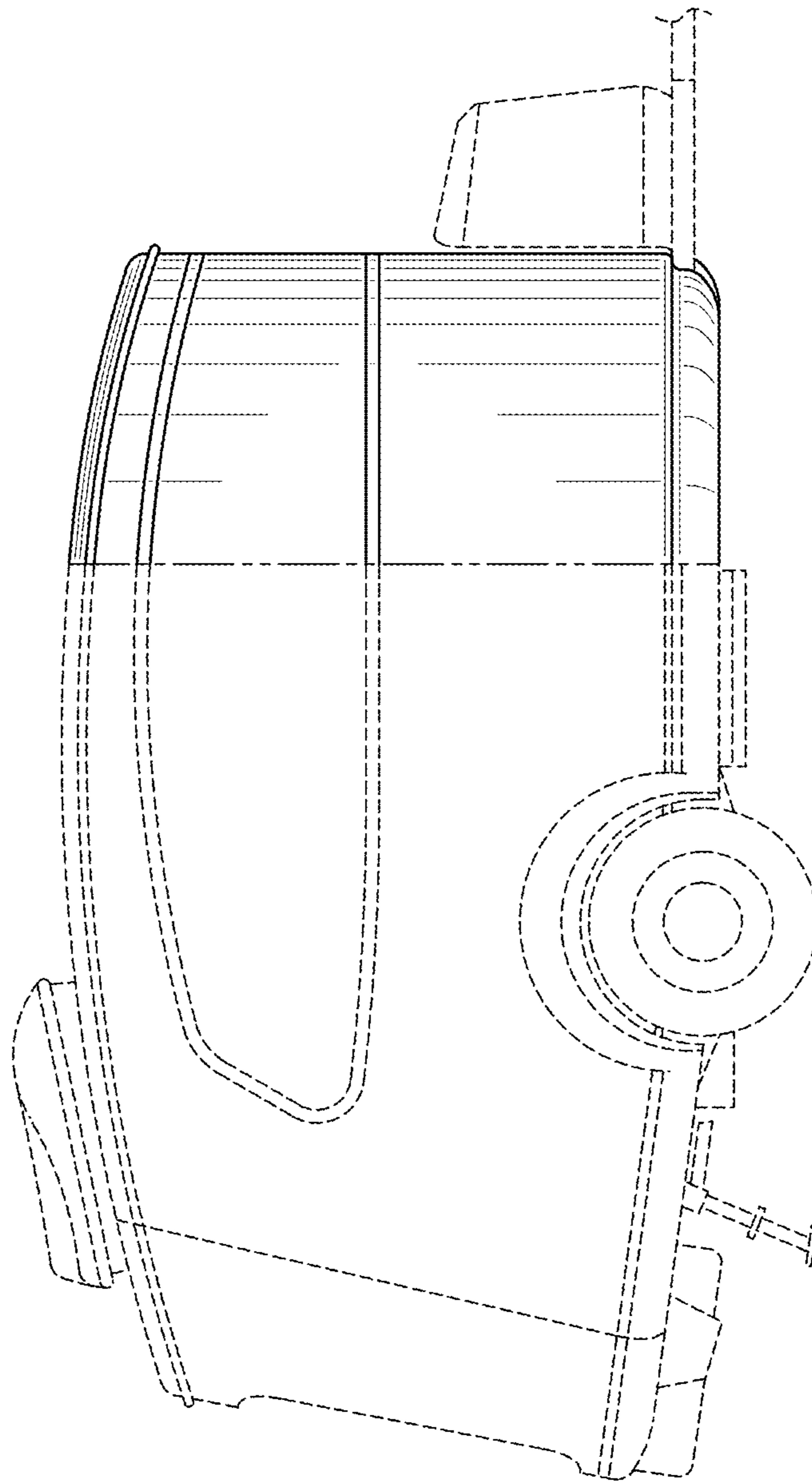


FIG. 3

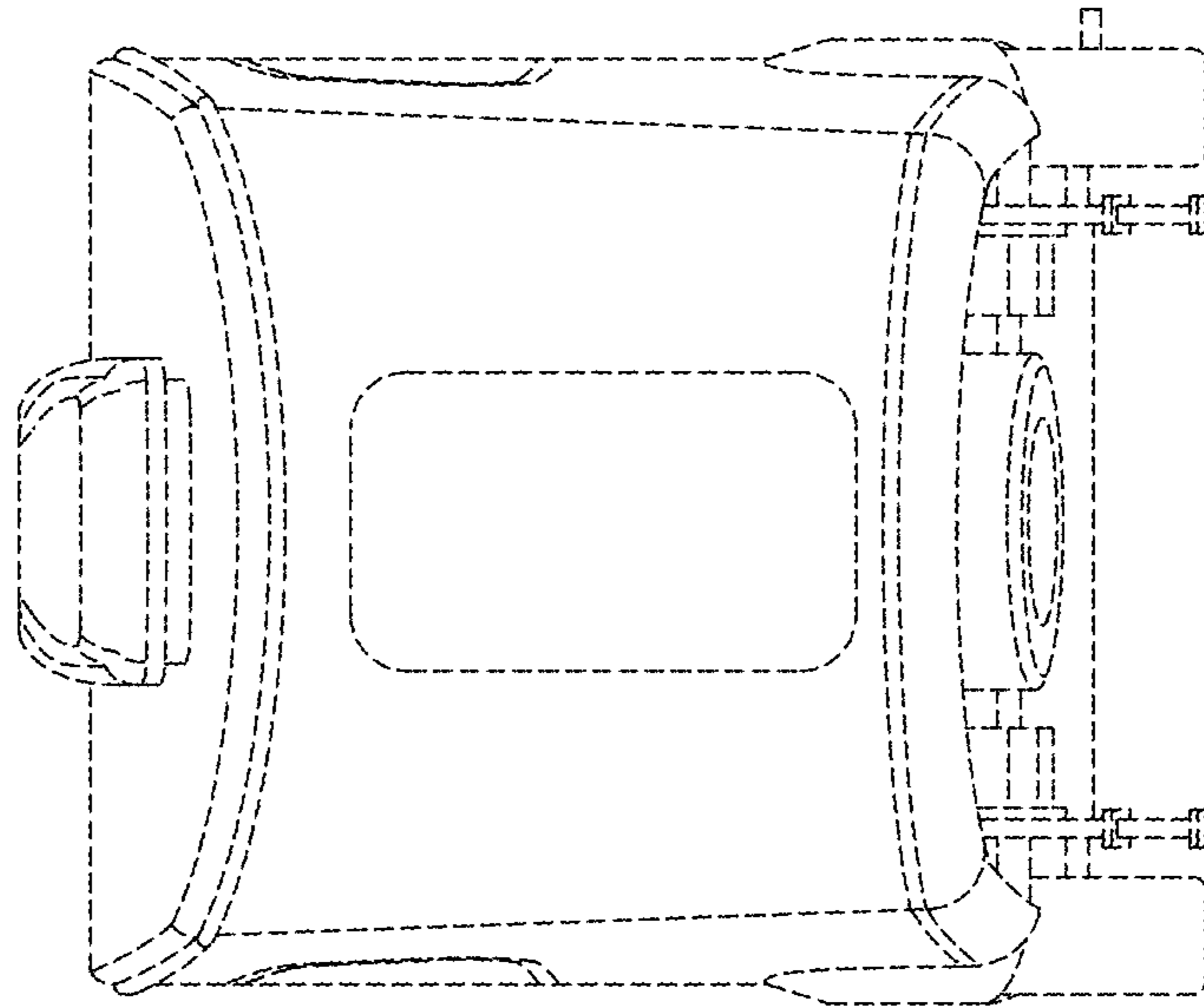


FIG. 5

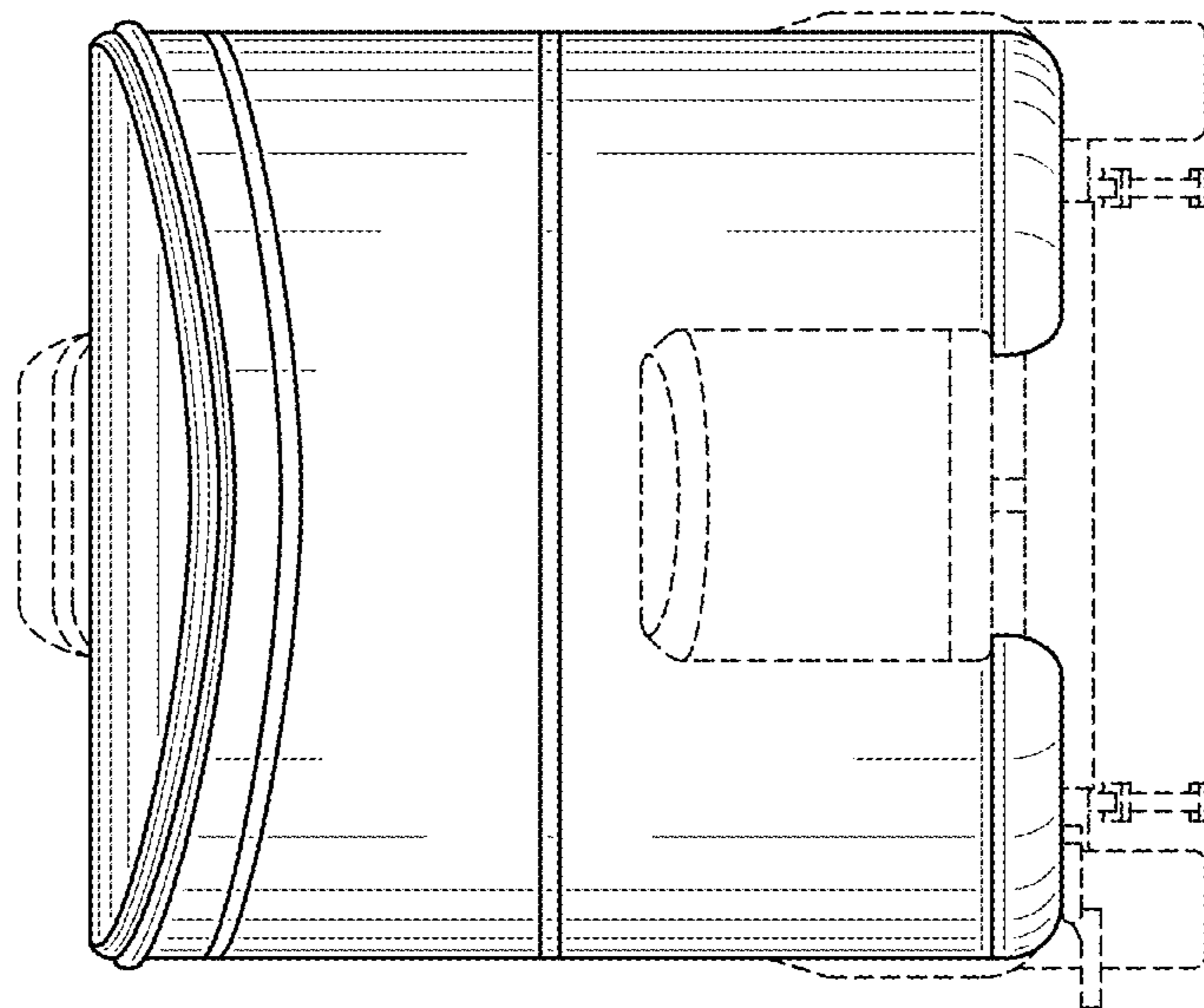


FIG. 4

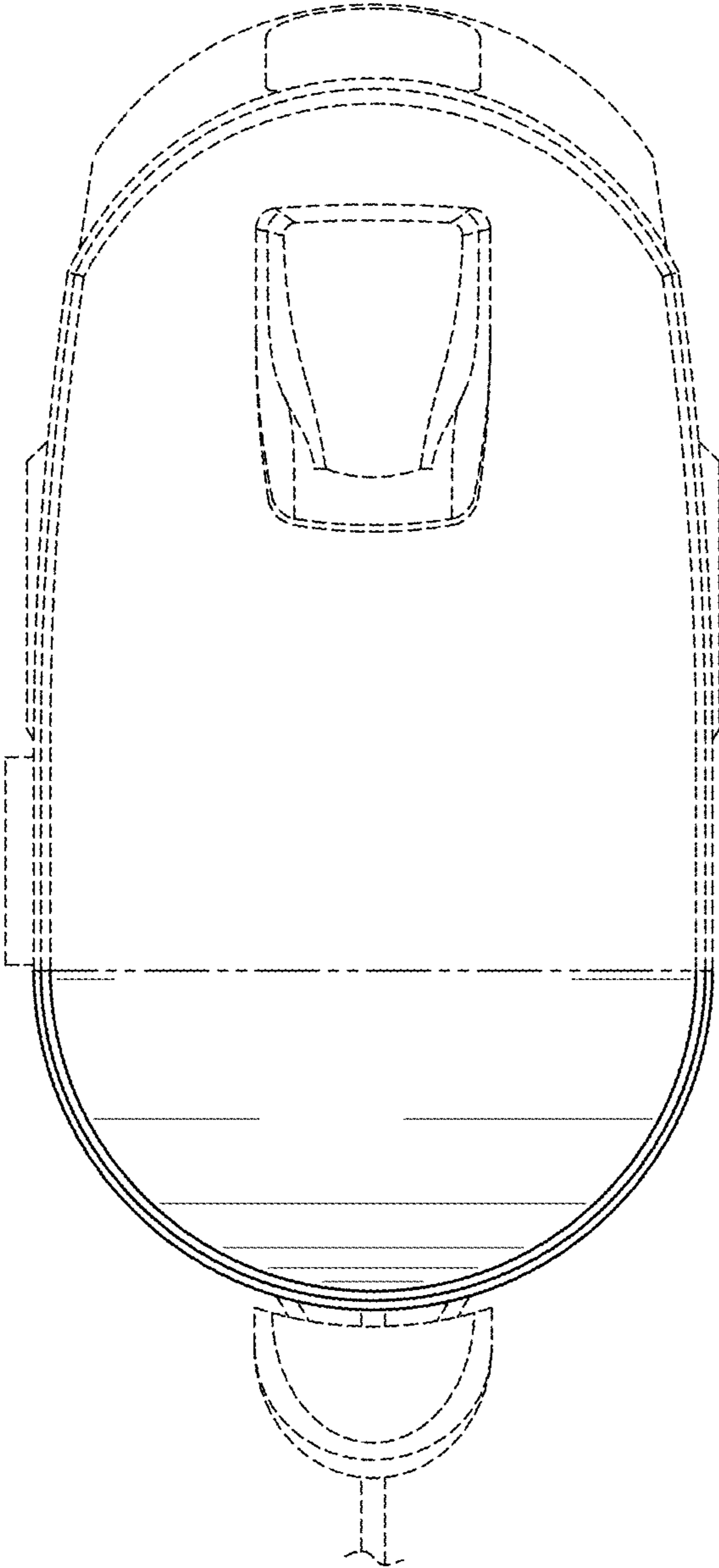


FIG. 6