



US00D813099S

(12) **United States Design Patent**
Brendel

(10) **Patent No.:** **US D813,099 S**
(45) **Date of Patent:** **** Mar. 20, 2018**

(54) **MOTOR VEHICLE AND/OR OTHER REPLICAS THEREOF**

D769,155 S * 10/2016 Garand D12/92
D775,550 S * 1/2017 Liese D12/92
D783,457 S * 4/2017 Wehrli D12/92

(71) Applicant: **AUDI AG**, Ingolstadt (DE)

* cited by examiner

(72) Inventor: **Christian Brendel**, Ingolstadt (DE)

Primary Examiner — Melody N Brown

(73) Assignee: **AUDI AG**, Ingolstadt (DE)

(74) *Attorney, Agent, or Firm* — Lucas & Mercanti, LLP;
Klaus P. Stoffel

(**) Term: **15 Years**

(21) Appl. No.: **29/579,004**

(57) **CLAIM**

The ornamental design for a motor vehicle and/or other replicas thereof, as shown and described.

(22) Filed: **Sep. 27, 2016**

DESCRIPTION

(30) **Foreign Application Priority Data**

Mar. 29, 2016 (EM) 003047000-0004
Mar. 29, 2016 (EM) 003047000-0005
Mar. 29, 2016 (EM) 003047034-0004

FIG. 1 is a front and right side perspective view of a motor vehicle and/or other replicas thereof of the present invention with the convertible top open;
FIG. 2 is a rear and left side perspective view thereof;
FIG. 3 is a front view thereof;
FIG. 4 is a rear view thereof;
FIG. 5 is a right side view thereof;
FIG. 6 is a left side view thereof;
FIG. 7 is a top view thereof;
FIG. 8 is a front and right side perspective view thereof with the convertible top closed;
FIG. 9 is a rear and left side perspective view thereof;
FIG. 10 is a front view thereof;
FIG. 11 is a rear view thereof;
FIG. 12 is a right side view thereof;
FIG. 13 is a left side view thereof; and,
FIG. 14 is a top view thereof.

(51) **LOC (11) Cl.** **12-08**

(52) **U.S. Cl.**
USPC **D12/92**

(58) **Field of Classification Search**
USPC D12/86, 90-92, 88; D21/421, 433, 434;
296/181.1, 181.5
CPC B62D 35/00; B62D 25/00; B62D 25/06;
B62D 33/00
See application file for complete search history.

The wheels, headlights and taillights of the motor vehicle do not form part of the claimed design.

(56) **References Cited**

U.S. PATENT DOCUMENTS

D736,672 S * 8/2015 Lamberty D12/92
D737,175 S * 8/2015 Telaak D12/92
D738,788 S * 9/2015 Garand D12/92
D761,697 S * 7/2016 Bischoff D12/92

1 Claim, 8 Drawing Sheets

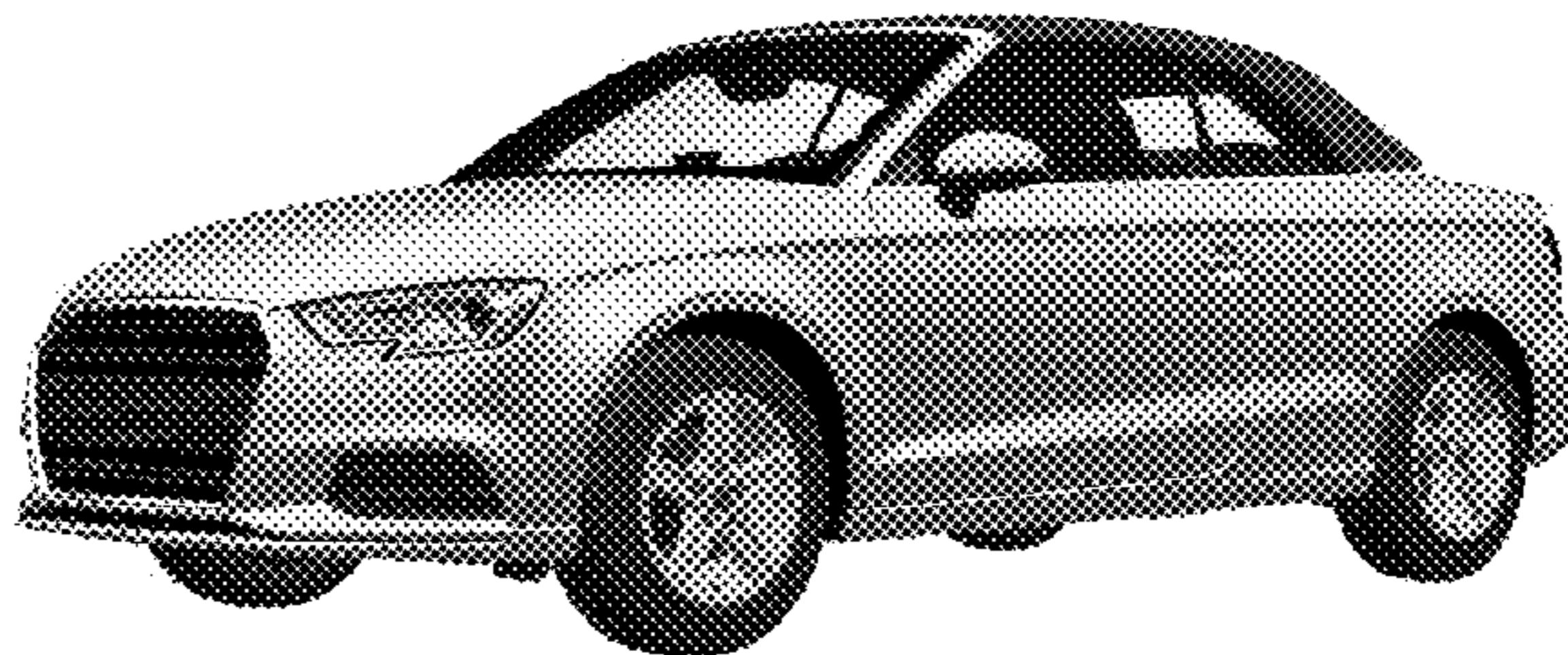
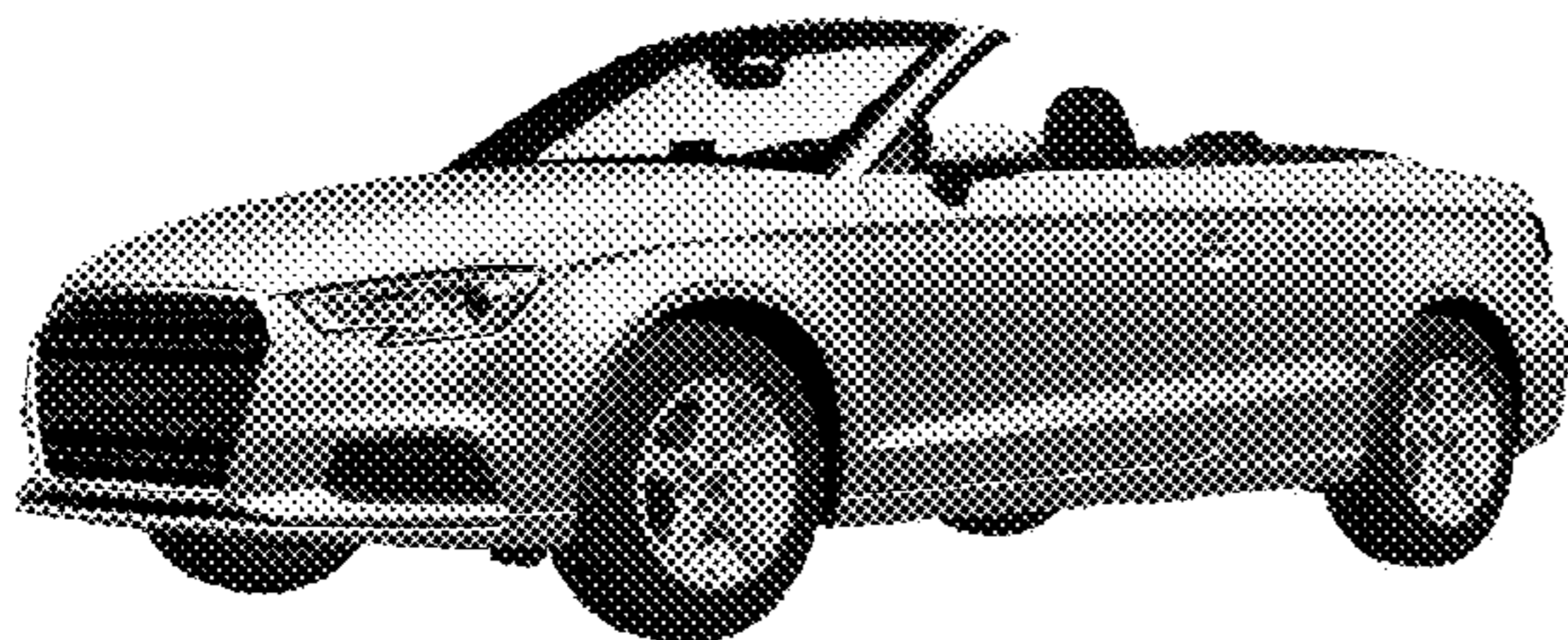




Fig. 1

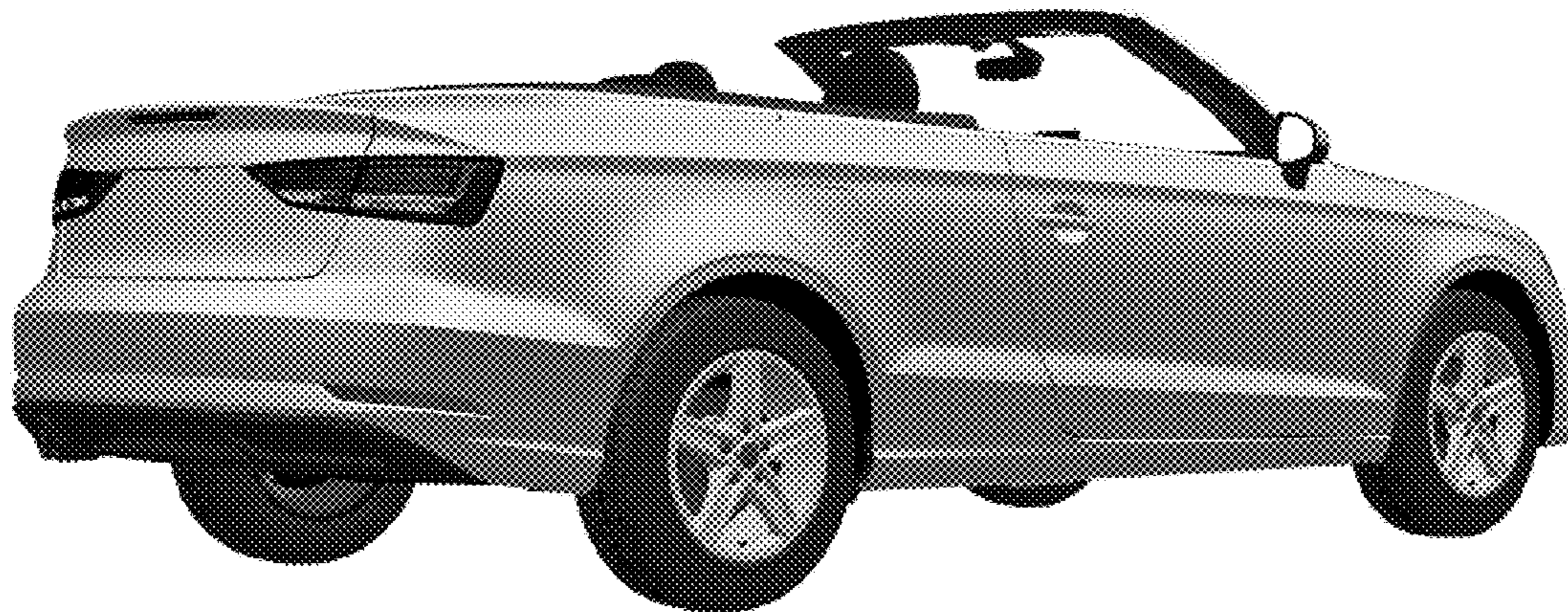


Fig. 2



Fig. 3



Fig. 4

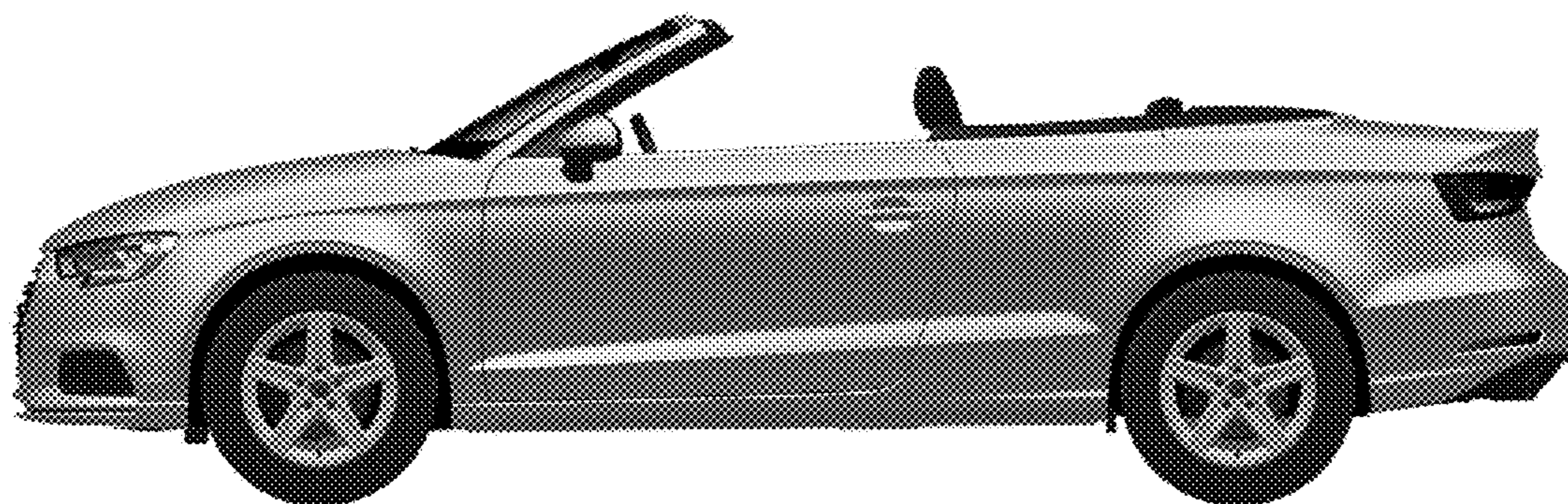


Fig. 5

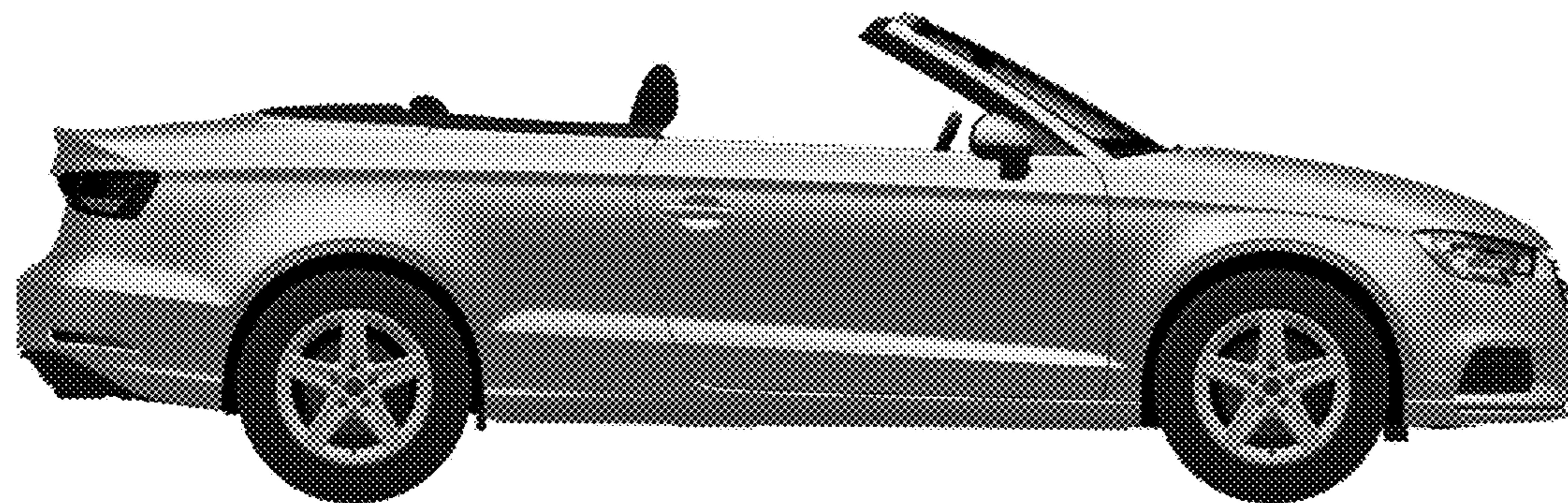


Fig. 6

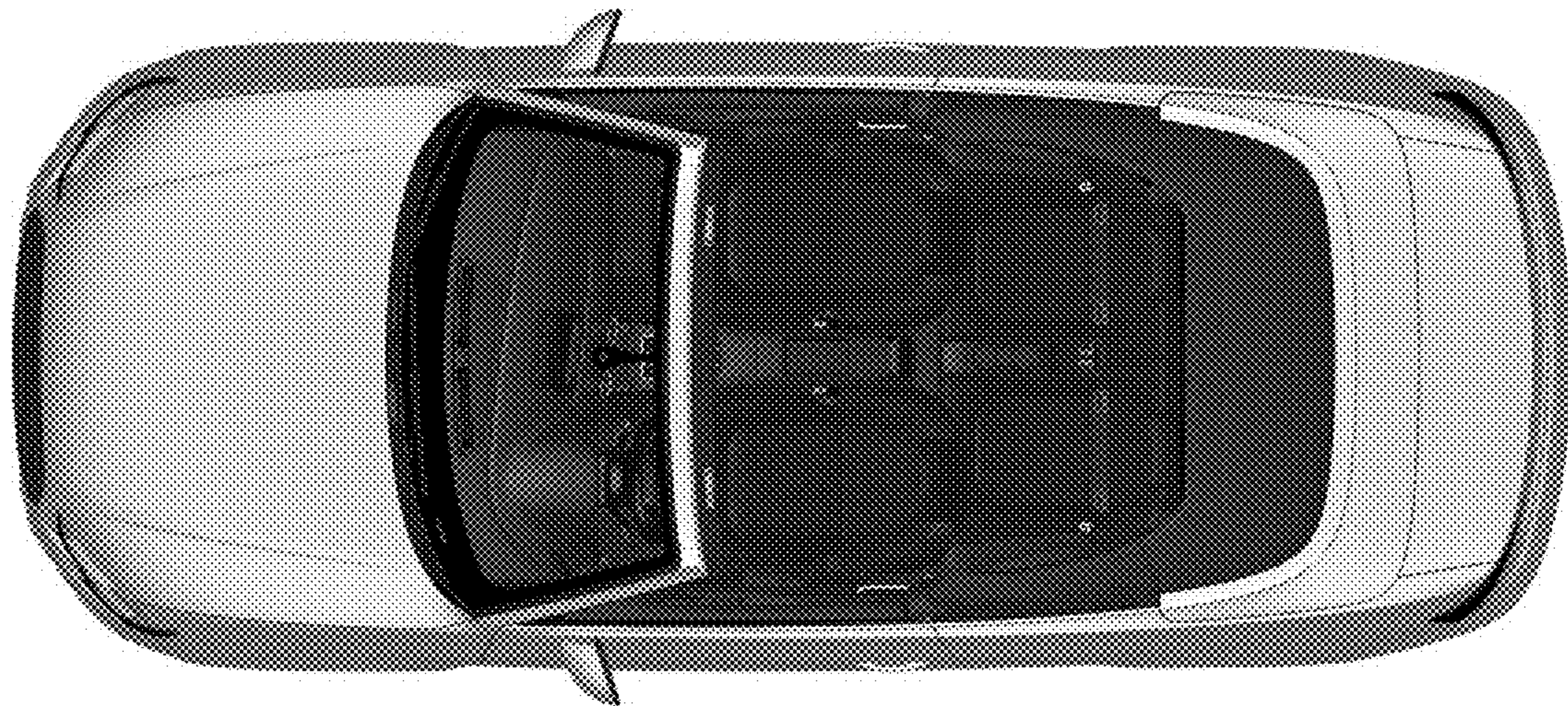


Fig. 7



Fig. 8

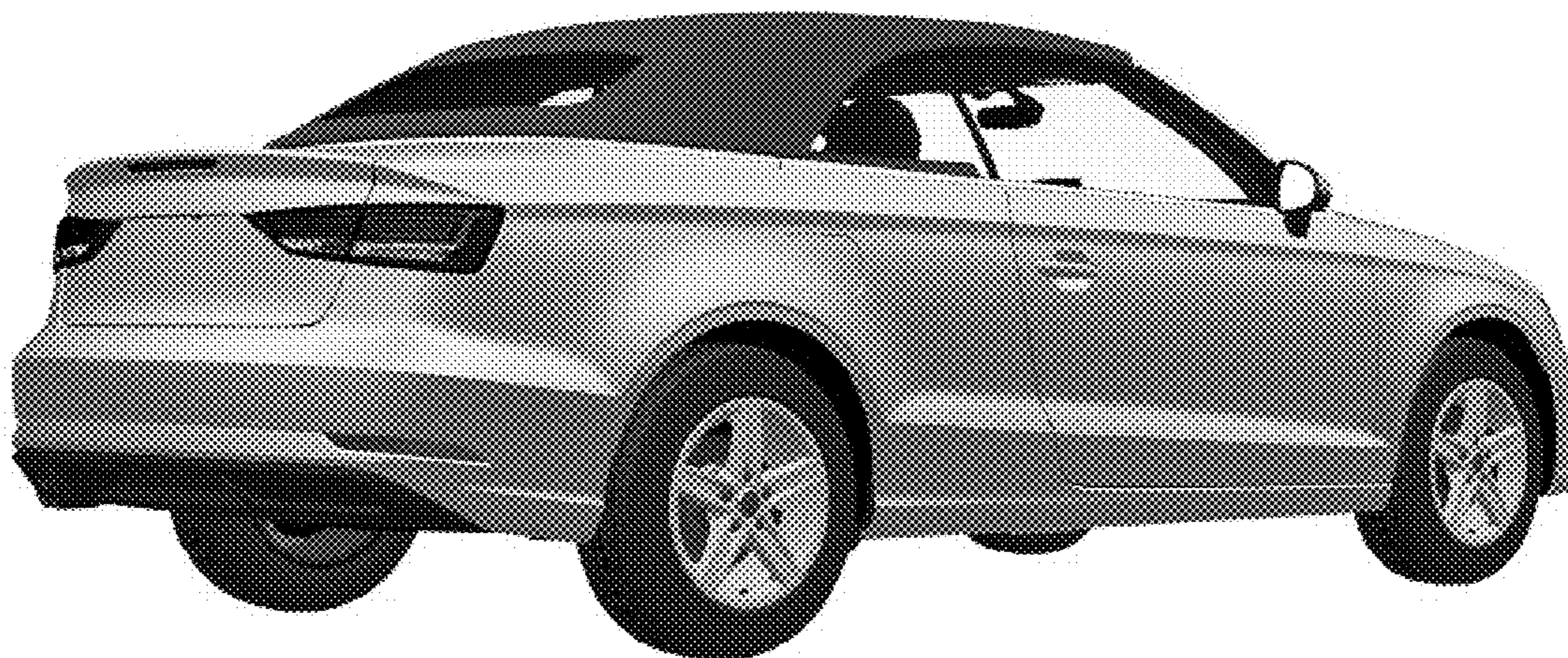


Fig. 9



Fig. 10



Fig. 11

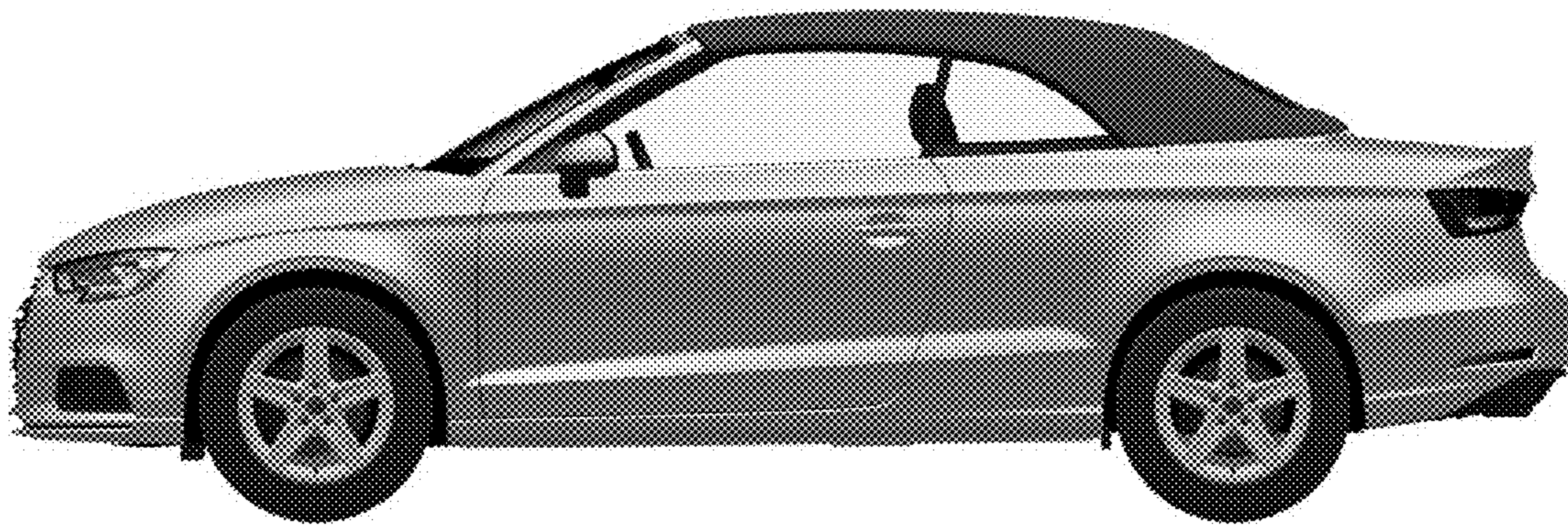


Fig. 12

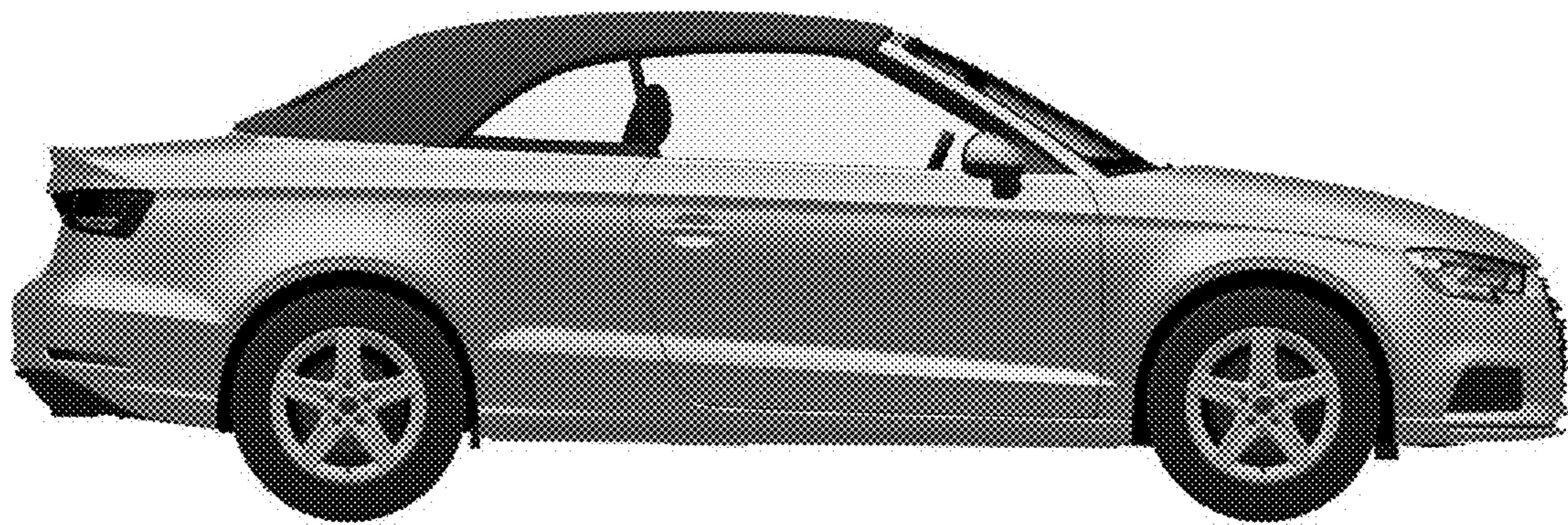


Fig. 13

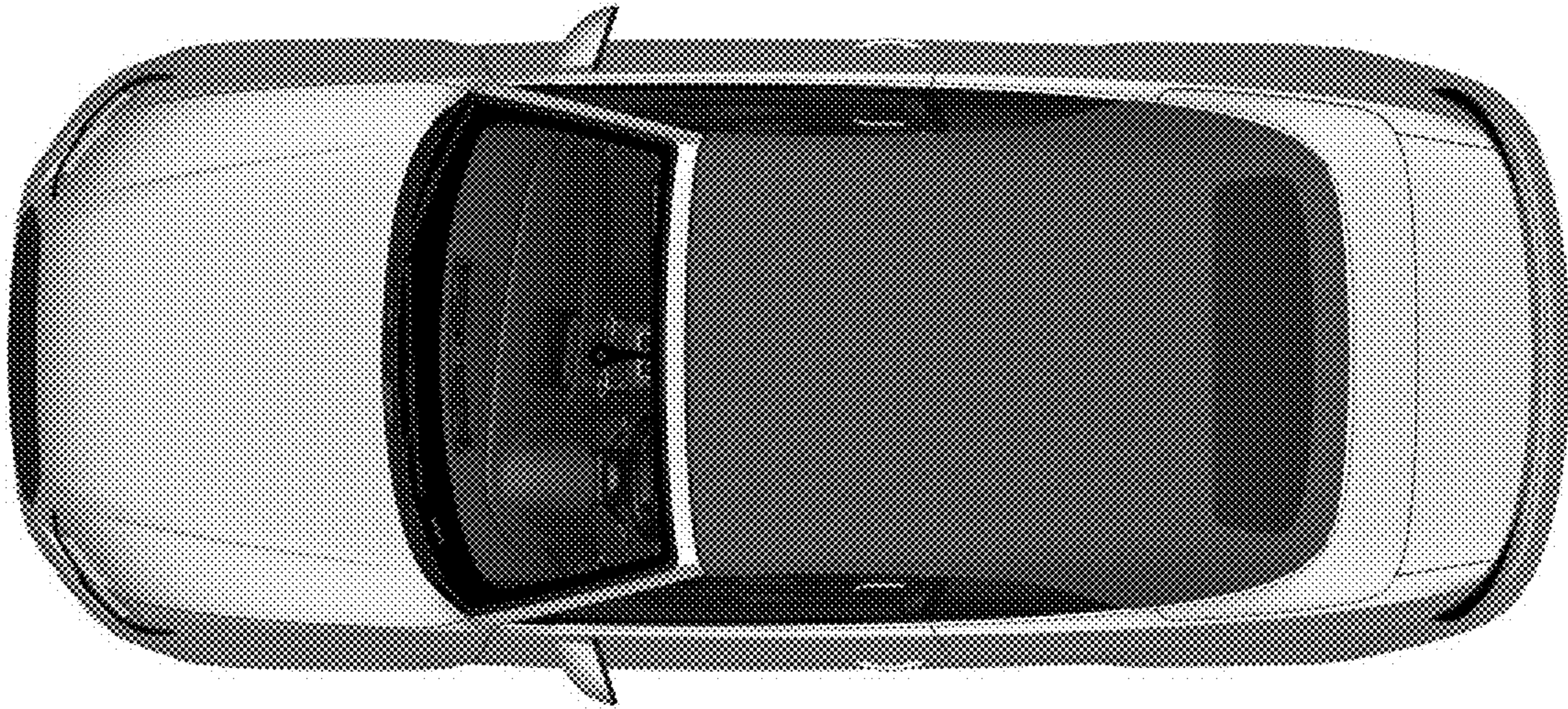


Fig. 14