



US00D813097S

(12) **United States Design Patent** (10) **Patent No.:** **US D813,097 S**  
**Szavits** (45) **Date of Patent:** **\*\* Mar. 20, 2018**

(54) **VEHICLE, TOY, AND/OR REPLICAS THEREOF**

(71) Applicant: **Bayerische Motoren Werke Aktiengesellschaft, Munich (DE)**

(72) Inventor: **Michael Szavits, Munich (DE)**

(73) Assignee: **Bayerische Motoren Werke Aktiengesellschaft, Munich (DE)**

(\*\*) Term: **15 Years**

(21) Appl. No.: **29/581,549**

(22) Filed: **Oct. 20, 2016**

(30) **Foreign Application Priority Data**

Apr. 21, 2016 (DE) ..... 40 2016 100 513

(51) **LOC (11) Cl.** ..... **12-08**

(52) **U.S. Cl.**  
USPC ..... **D12/91**

(58) **Field of Classification Search**  
USPC ..... D12/86, 90-92, 88; D21/421, 433, 434;  
296/181.1, 181.5

CPC ..... B62D 35/00; B62D 25/00; B62D 25/06;  
B62D 33/00

See application file for complete search history.

(56) **References Cited**

**U.S. PATENT DOCUMENTS**

D490,019 S *	5/2004	Sakae	.....	D12/91
D504,087 S *	4/2005	Hakamata	.....	D12/91
D513,716 S *	1/2006	Acampora	.....	D12/91
D540,714 S *	4/2007	Mueller-Stolz	.....	D12/91
D598,810 S *	8/2009	Jang	.....	D12/91
D605,084 S	12/2009	Szavits		
D626,455 S *	11/2010	Syring	.....	D12/92
D633,571 S	3/2011	Schneider		
D664,896 S	8/2012	Szews et al.		
D670,607 S *	11/2012	Buckingham	.....	D12/92
D738,786 S *	9/2015	Mueller-Stolz	.....	D12/91

(Continued)

**FOREIGN PATENT DOCUMENTS**

EM	001104913-0001	4/2009
EM	001714643-0001	9/2010
EM	001867177-0001	7/2011

*Primary Examiner* — Melody N Brown

(74) *Attorney, Agent, or Firm* — Crowell & Moring LLP

(57) **CLAIM**

The ornamental design for a vehicle, toy, and/or replicas thereof, as shown and described.

**DESCRIPTION**

This application contains subject matter related to the following co-pending U.S. design patent applications:

Application Ser. No. 29/581,550, filed herewith and entitled "Hood for a Vehicle";

Application Ser. No. 29/581,551, filed herewith and entitled "Front Bumper for a Vehicle";

Application Ser. No. 29/581,552, filed herewith and entitled "Front Bumper for a Vehicle";

Application Ser. No. 29/581,553, filed herewith and entitled "Front Fender for a Vehicle";

Application Ser. No. 29/581,554, filed herewith and entitled "Rear Fender for a Vehicle";

Application Ser. No. 29/581,555, filed herewith and entitled "Rear Bumper for a Vehicle"; and

Application Ser. No. 29/581,556, filed herewith and entitled "Decorative Fitting for a Vehicle".

FIG. 1 is a left, front perspective view of a vehicle, toy, and/or replicas thereof according to the design;

FIG. 2 is a left side view thereof;

FIG. 3 is a right side view thereof;

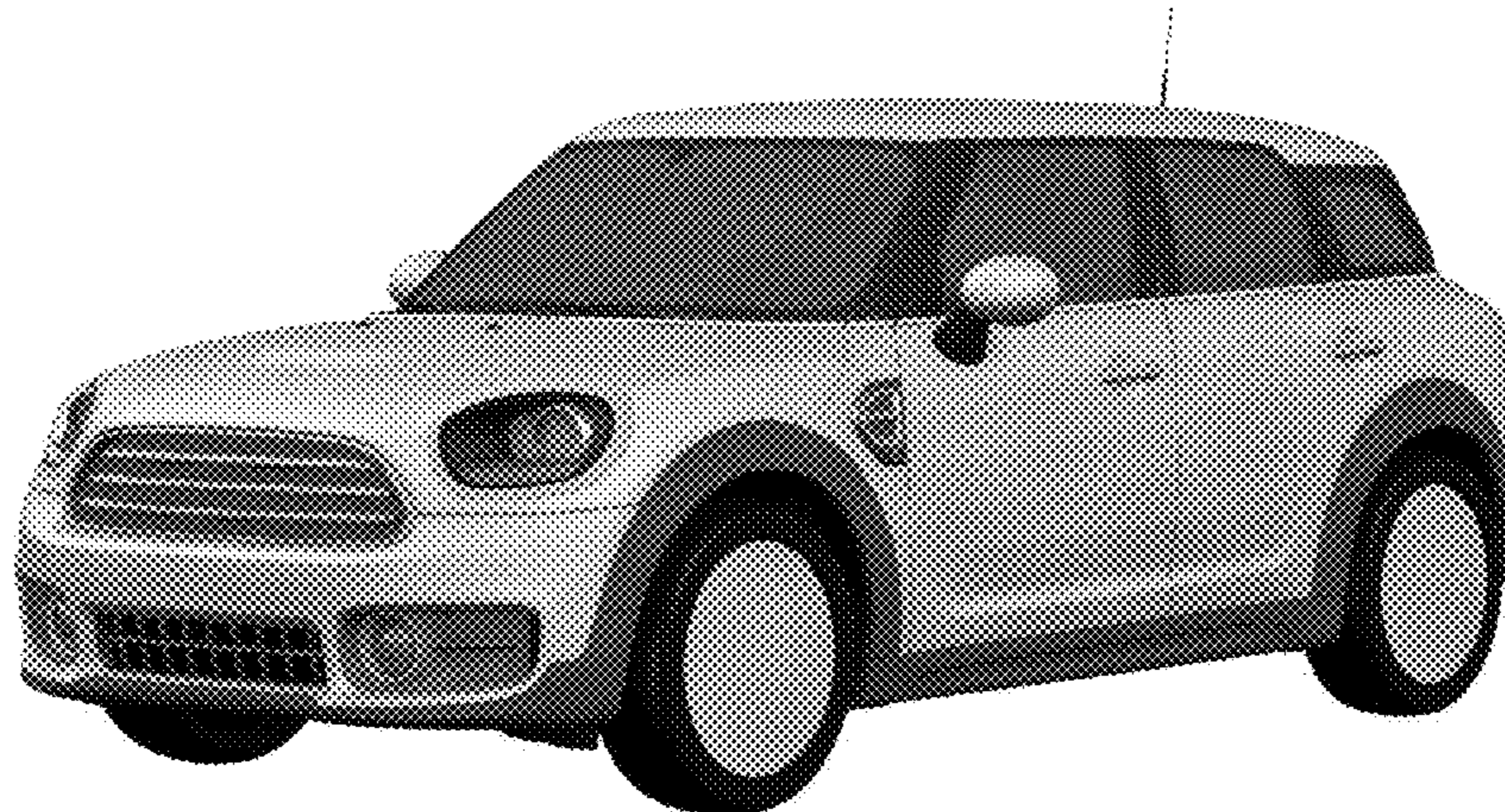
FIG. 4 is a right, rear perspective view thereof;

FIG. 5 is a front view thereof;

FIG. 6 is a rear view thereof; and,

FIG. 7 is a top view thereof.

**1 Claim, 7 Drawing Sheets**



(56)

**References Cited**

U.S. PATENT DOCUMENTS

D745,437 S \* 12/2015 Goepfel ..... D12/92  
D762,523 S \* 8/2016 Schneider ..... D12/91

\* cited by examiner

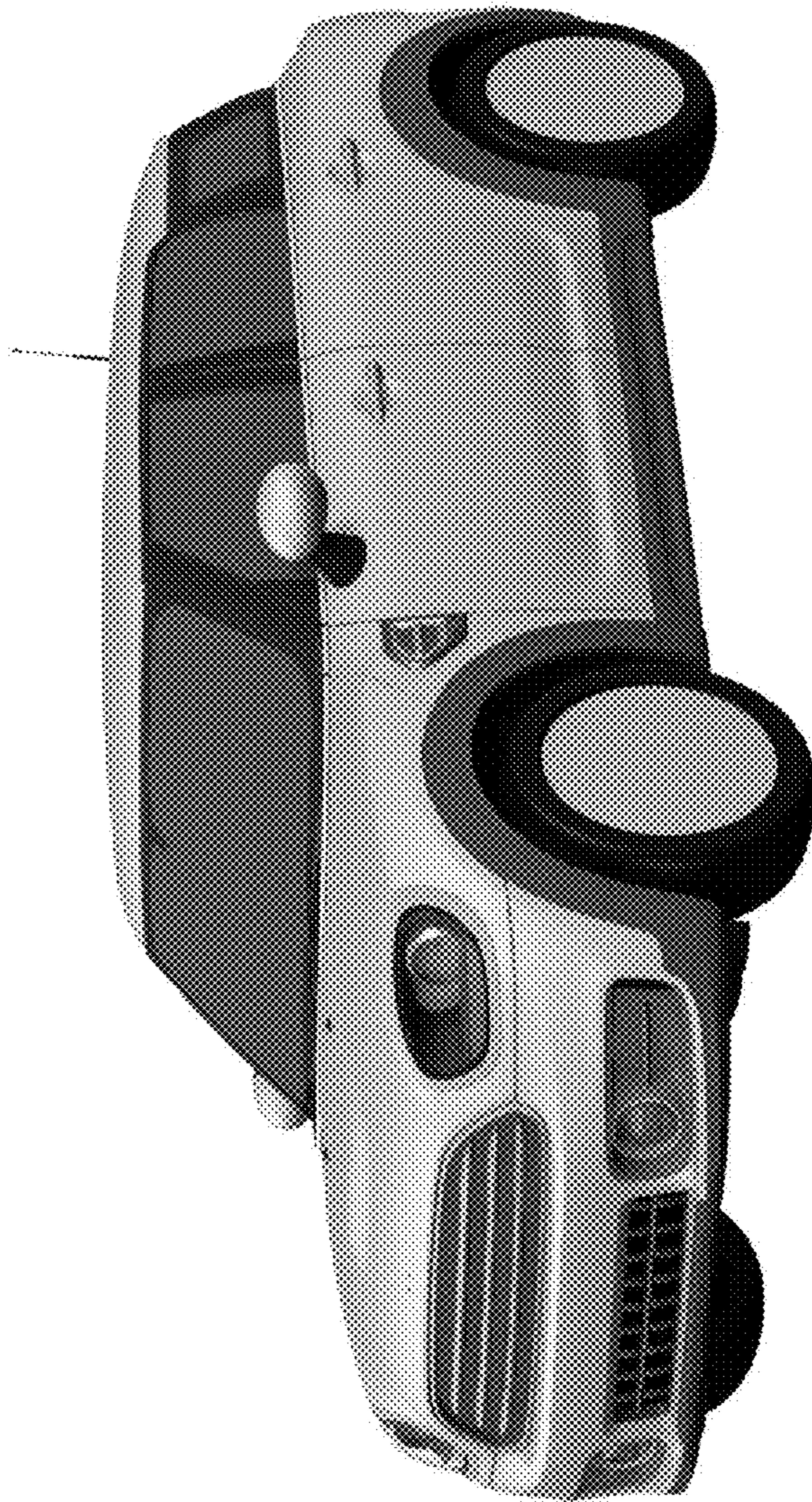


Fig. 1

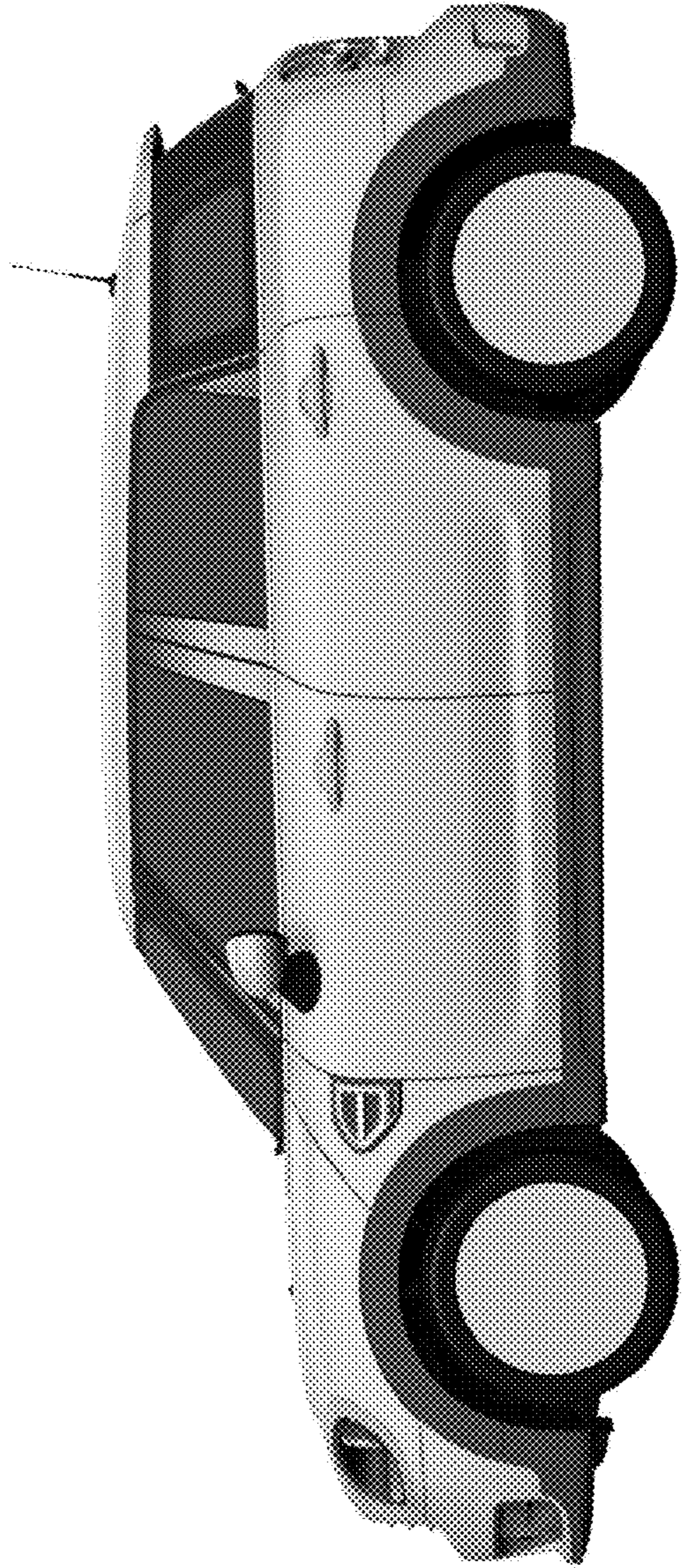


Fig. 2

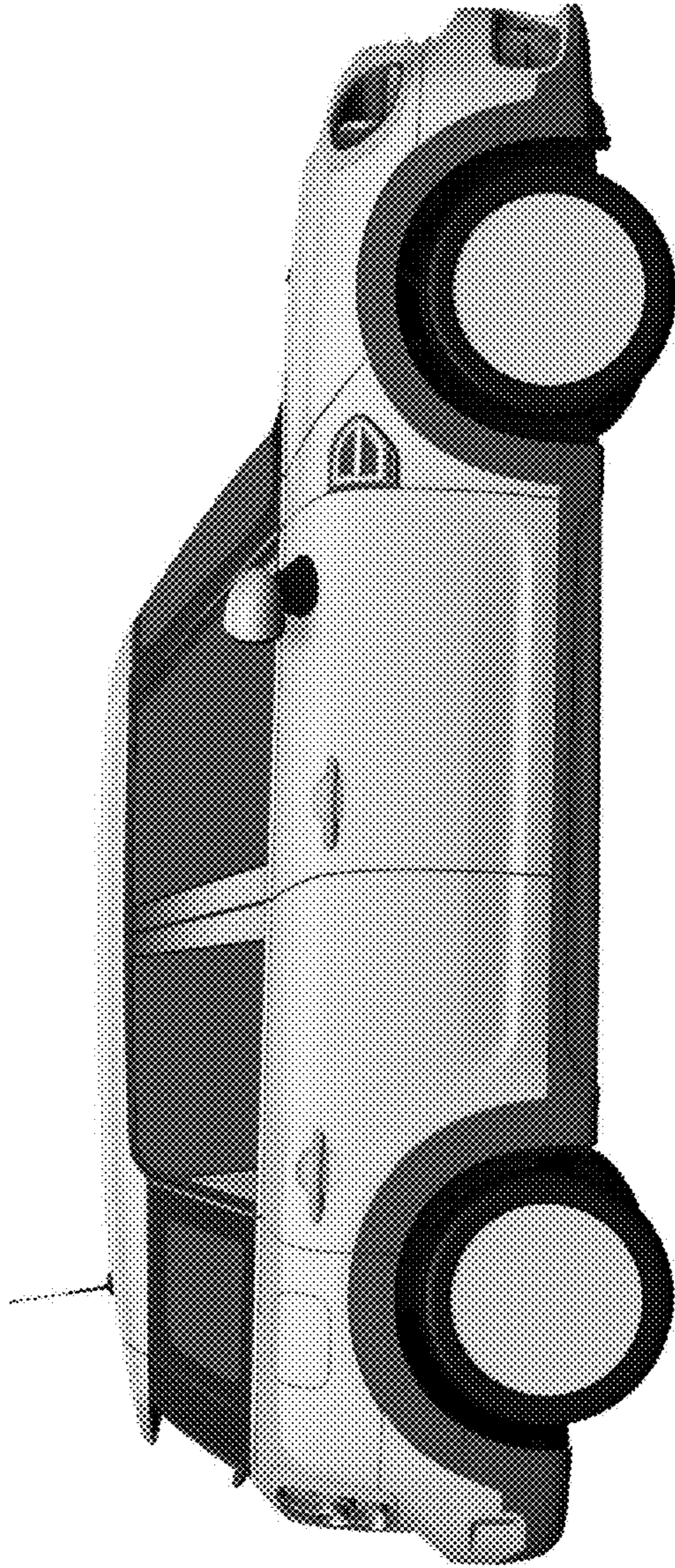


Fig. 3

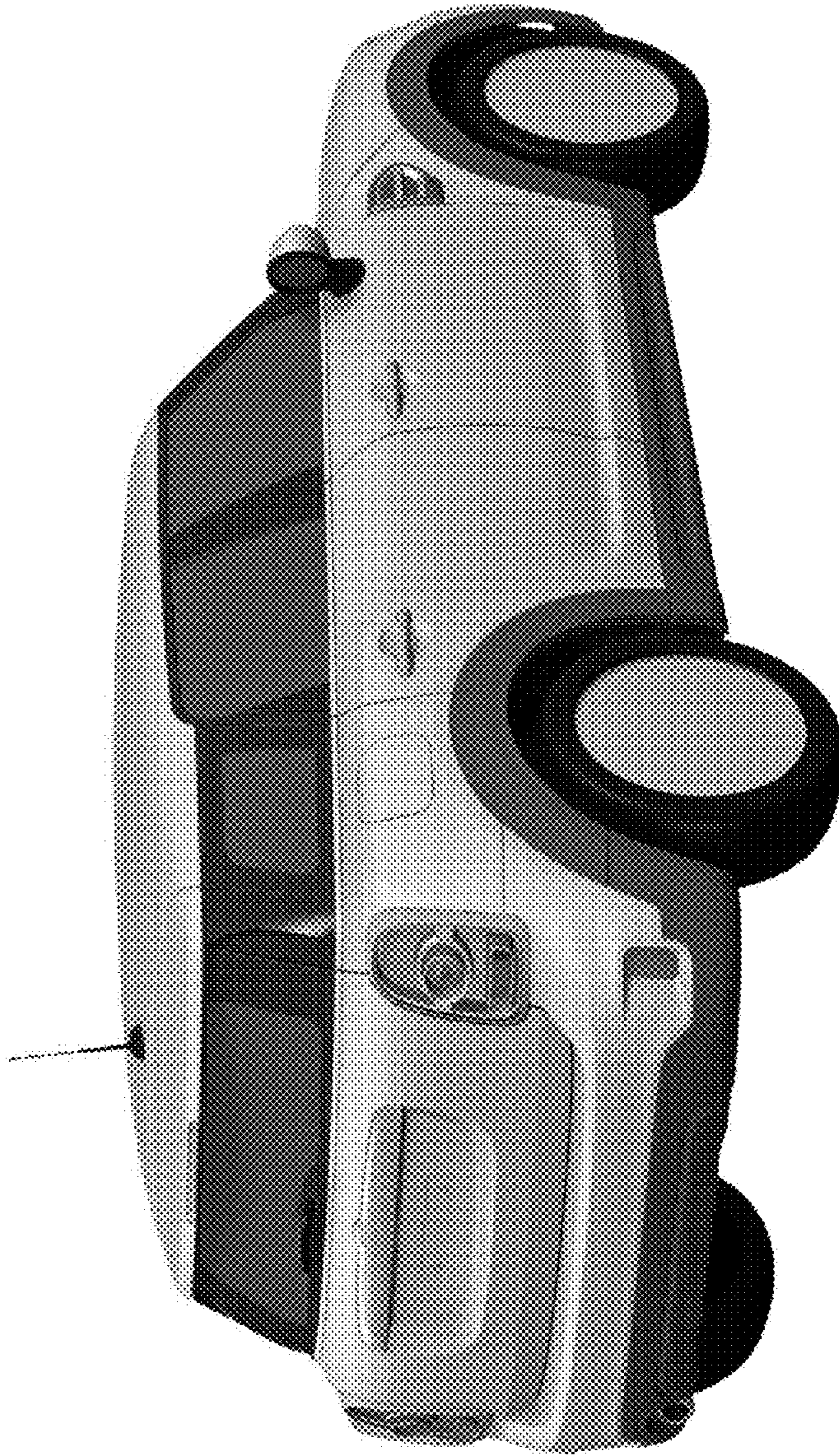


Fig. 4

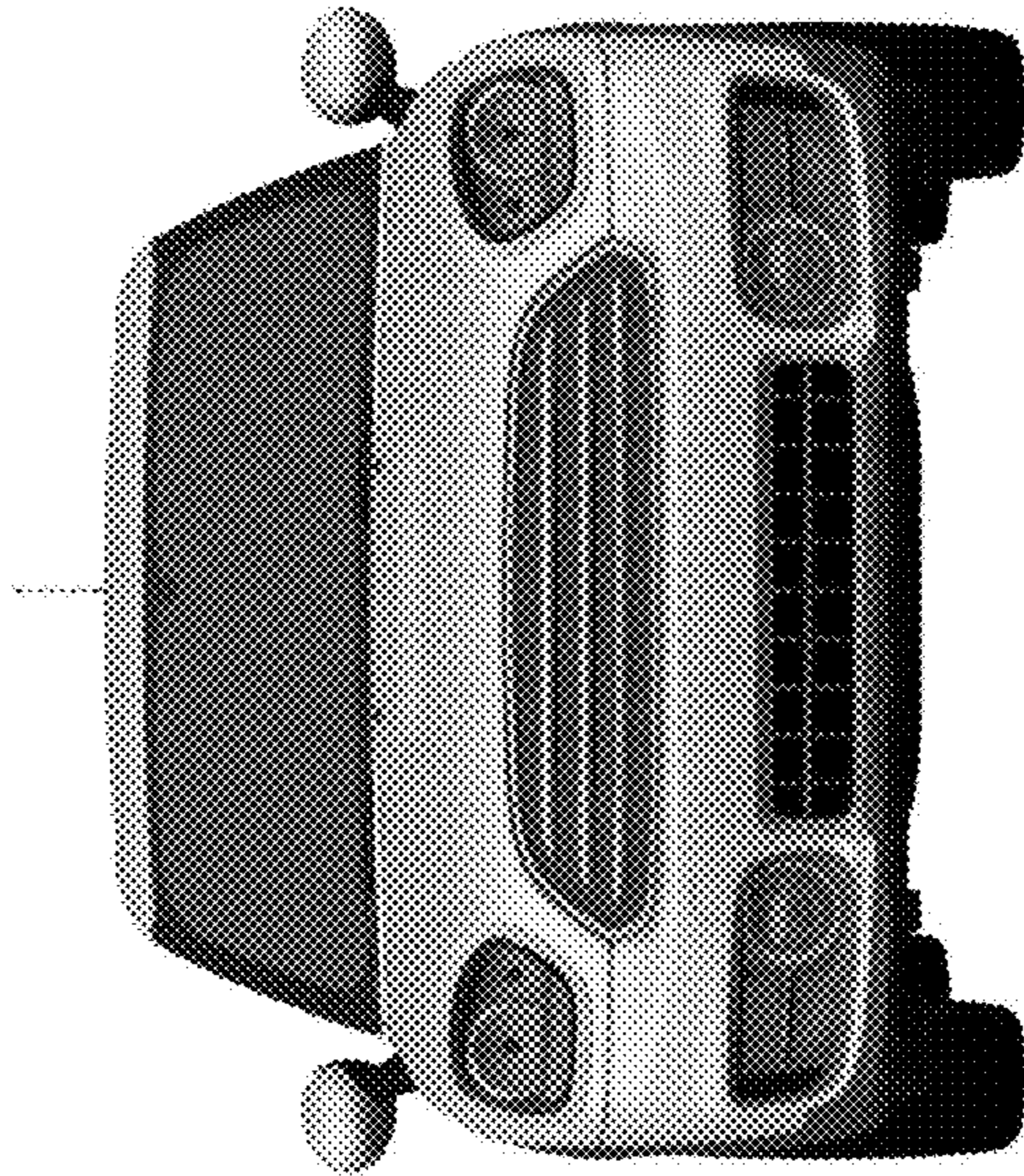


Fig. 5

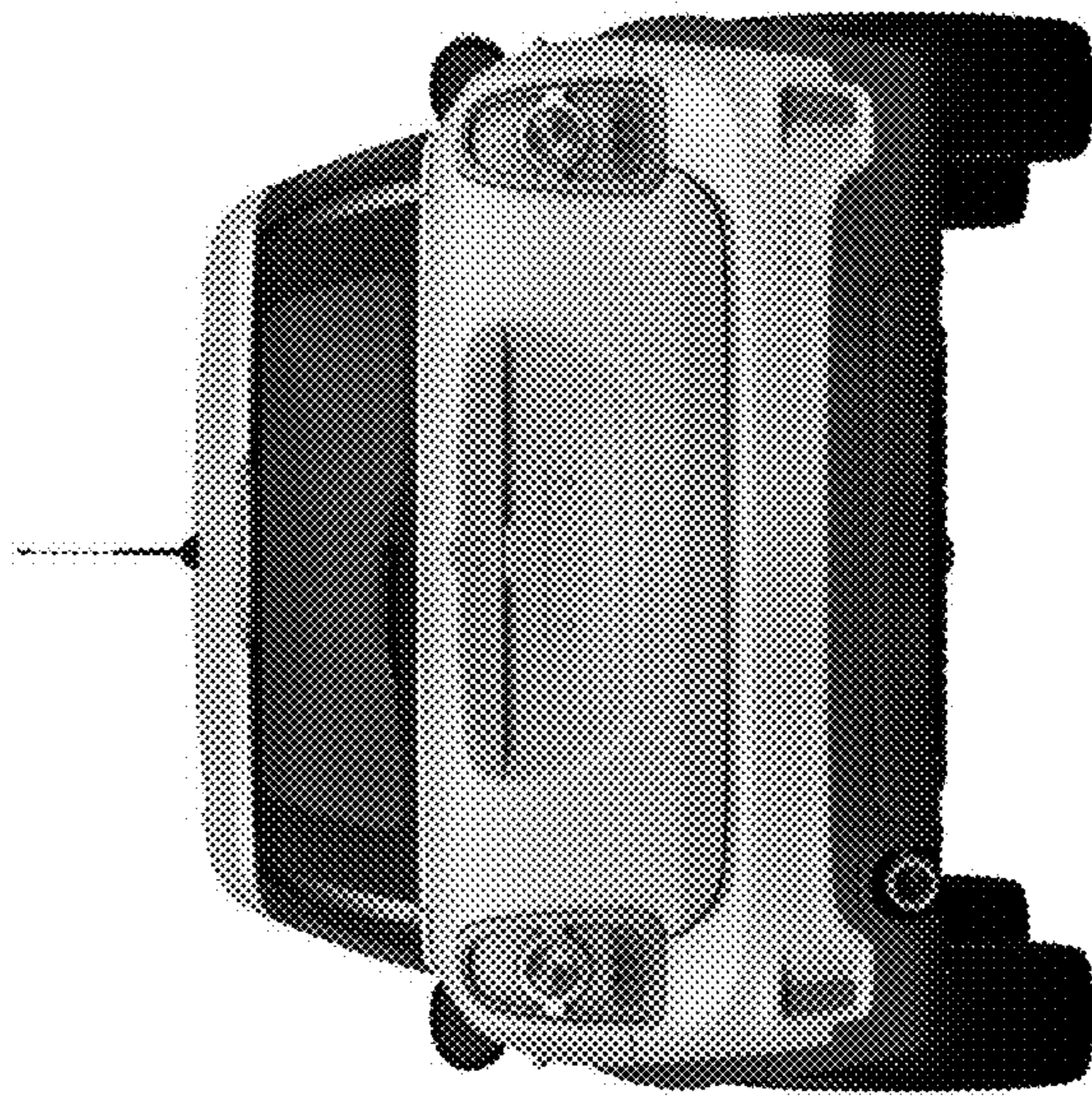


Fig. 6



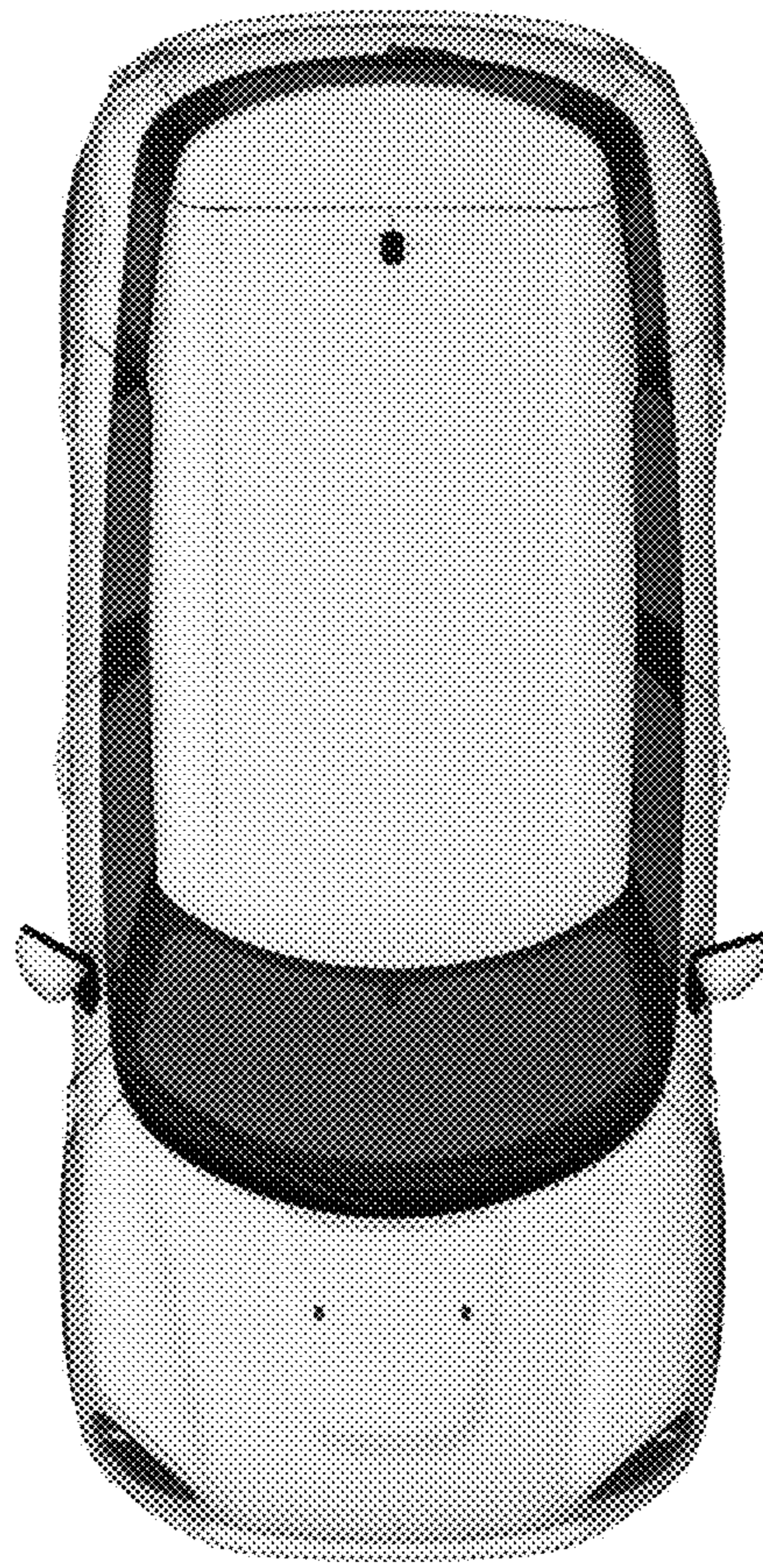


Fig. 7