



US00D813094S

(12) **United States Design Patent**
Watkins

(10) **Patent No.:** **US D813,094 S**
(45) **Date of Patent:** **** Mar. 20, 2018**

(54) **SULKY**
(71) Applicant: **Stephen Michael Watkins**, Warners Bay (AU)
(72) Inventor: **Stephen Michael Watkins**, Warners Bay (AU)

3,942,305 A * 3/1976 Cameron B62C 5/02
280/63
5,174,594 A * 12/1992 Marshall B62C 11/00
280/155
5,183,279 A 2/1993 Acerno et al.

(**) Term: **14 Years**

FOREIGN PATENT DOCUMENTS

(21) Appl. No.: **29/510,210**

AU 353118 12/2013
AU 356250 7/2014
NZ 418868 6/2014
WO 83-02757 8/1983
WO 1996031386 10/1996

(22) Filed: **Nov. 25, 2014**

* cited by examiner

(51) **LOC (11) Cl.** **12-01**

(52) **U.S. Cl.**
USPC **D12/19**

Primary Examiner — T. Chase Nelson

Assistant Examiner — Ania Aman

(58) **Field of Classification Search**
USPC D12/19, 20, 17, 106, 18
CPC B62C 1/02; B62C 1/04; B62C 1/06; B62C
1/08

(74) *Attorney, Agent, or Firm* — Rankin, Hill & Clark
LLP

See application file for complete search history.

(57) **CLAIM**

The ornamental design for a sulky, as shown and described.

(56) **References Cited**

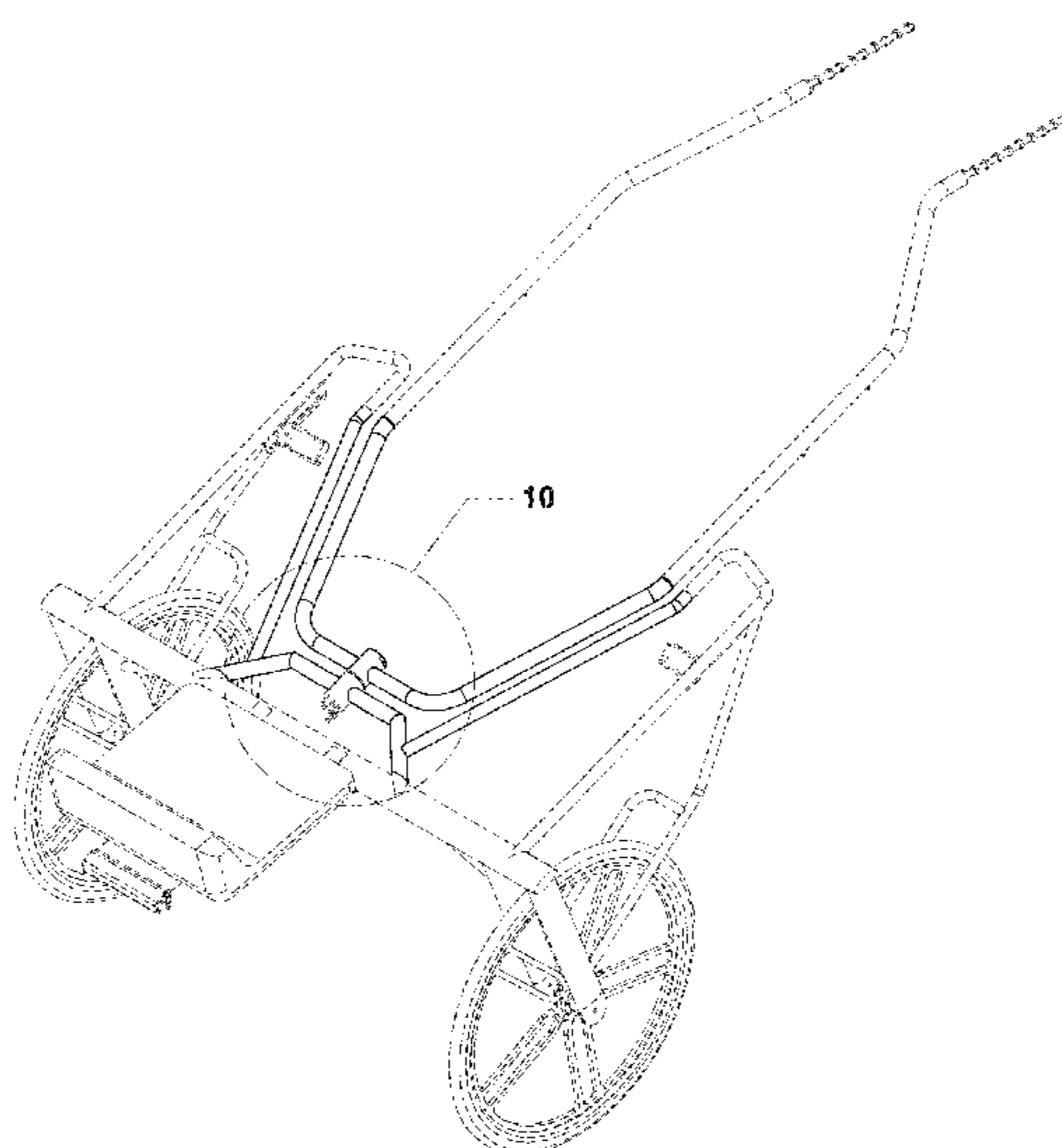
DESCRIPTION

U.S. PATENT DOCUMENTS

111,046 A * 1/1871 Doan et al. B62D 7/023
280/139
193,127 A * 7/1877 Muhleisen B62D 7/023
280/139
303,258 A * 8/1884 Berry B62D 7/023
280/139
337,404 A * 3/1886 Holmes B62D 7/023
280/139
502,984 A * 8/1893 McIntosh et al. B62C 1/08
280/64
846,197 A * 3/1907 Freitag B62D 7/023
280/139
1,078,956 A * 11/1913 Riggs B62D 7/023
280/139
3,163,438 A * 12/1964 Bliss, Jr. B62C 1/08
280/43
D236,600 S * 9/1975 Cameron D12/19

FIG. 1 is a top perspective view of a sulky;
FIG. 2 is a front perspective view of the sulky;
FIG. 3 is a rear perspective view of the sulky;
FIG. 4 is a bottom perspective view of the sulky;
FIG. 5 is a side view of view of the sulky;
FIG. 6 is a top view of the sulky;
FIG. 7 is a bottom view of the sulky;
FIG. 8 is a front view of the sulky;
FIG. 9 is a rear view of the sulky; and,
FIG. 10 is a partial enlarged top perspective view of the
sulky taken at section 10 of FIG. 1.
The dashed broken lines are for purposes of illustrating
portions of the sulky and form no part of the claimed design.

1 Claim, 6 Drawing Sheets



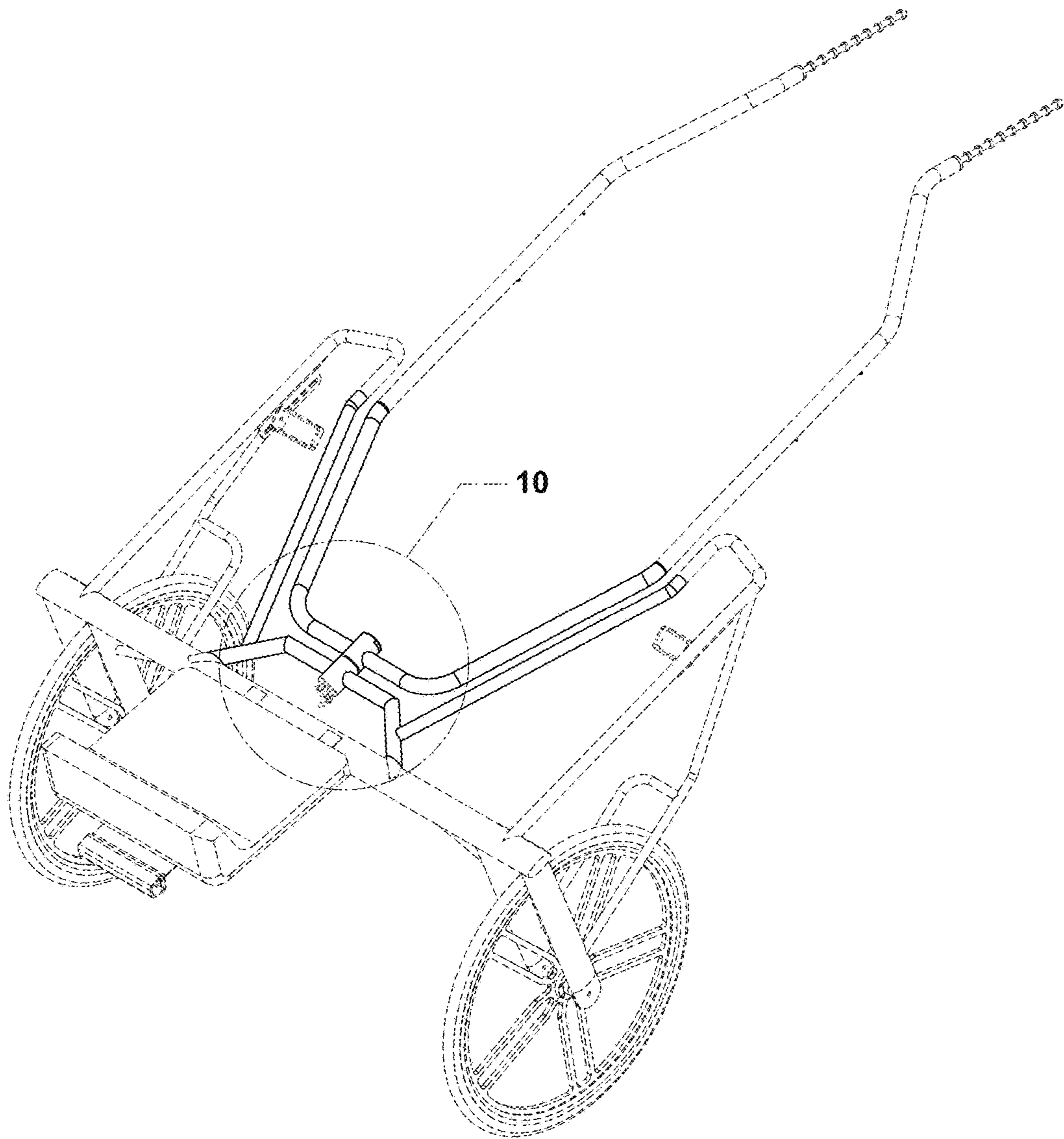


FIGURE 1

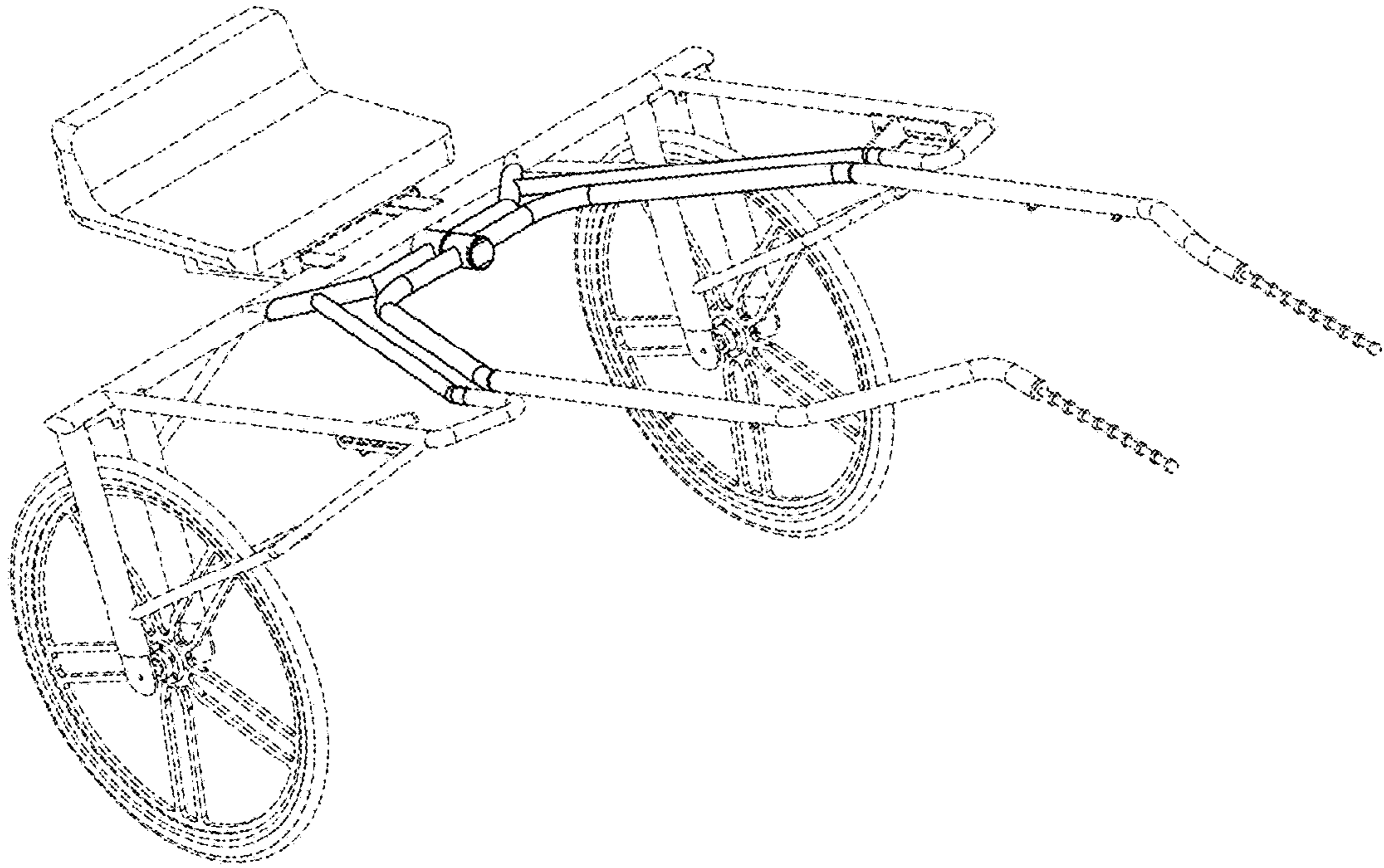


FIGURE 2

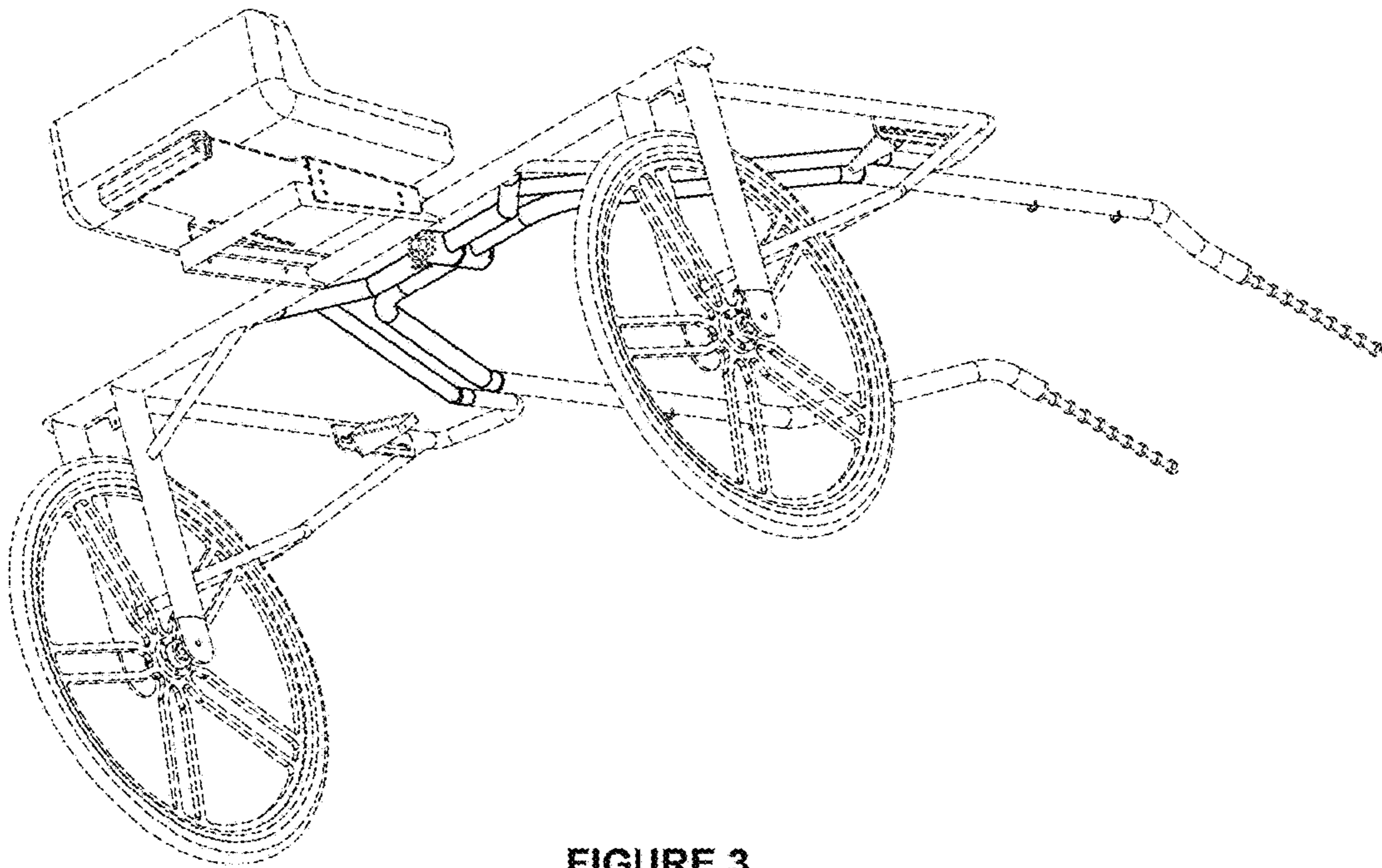


FIGURE 3

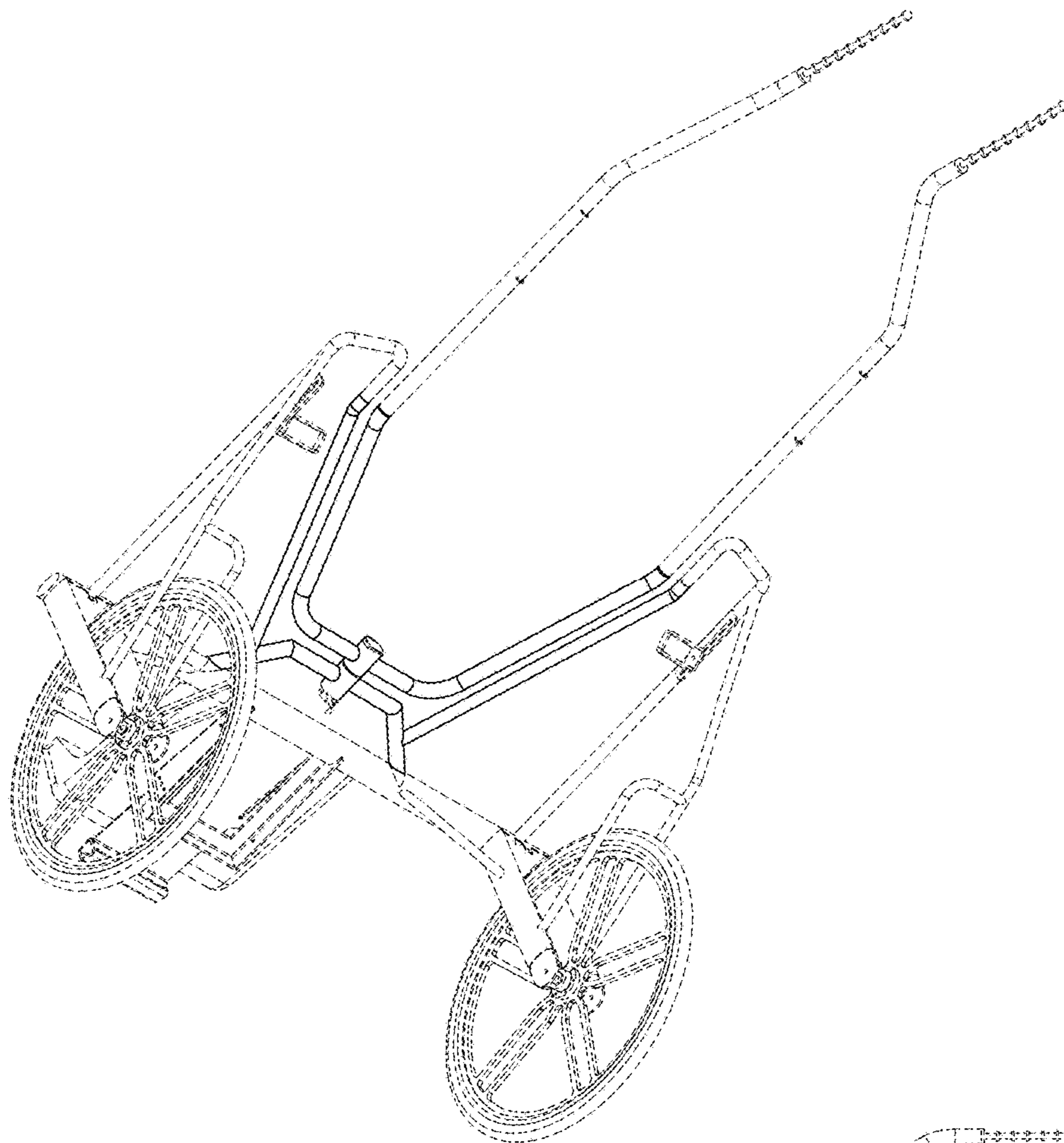


FIGURE 4

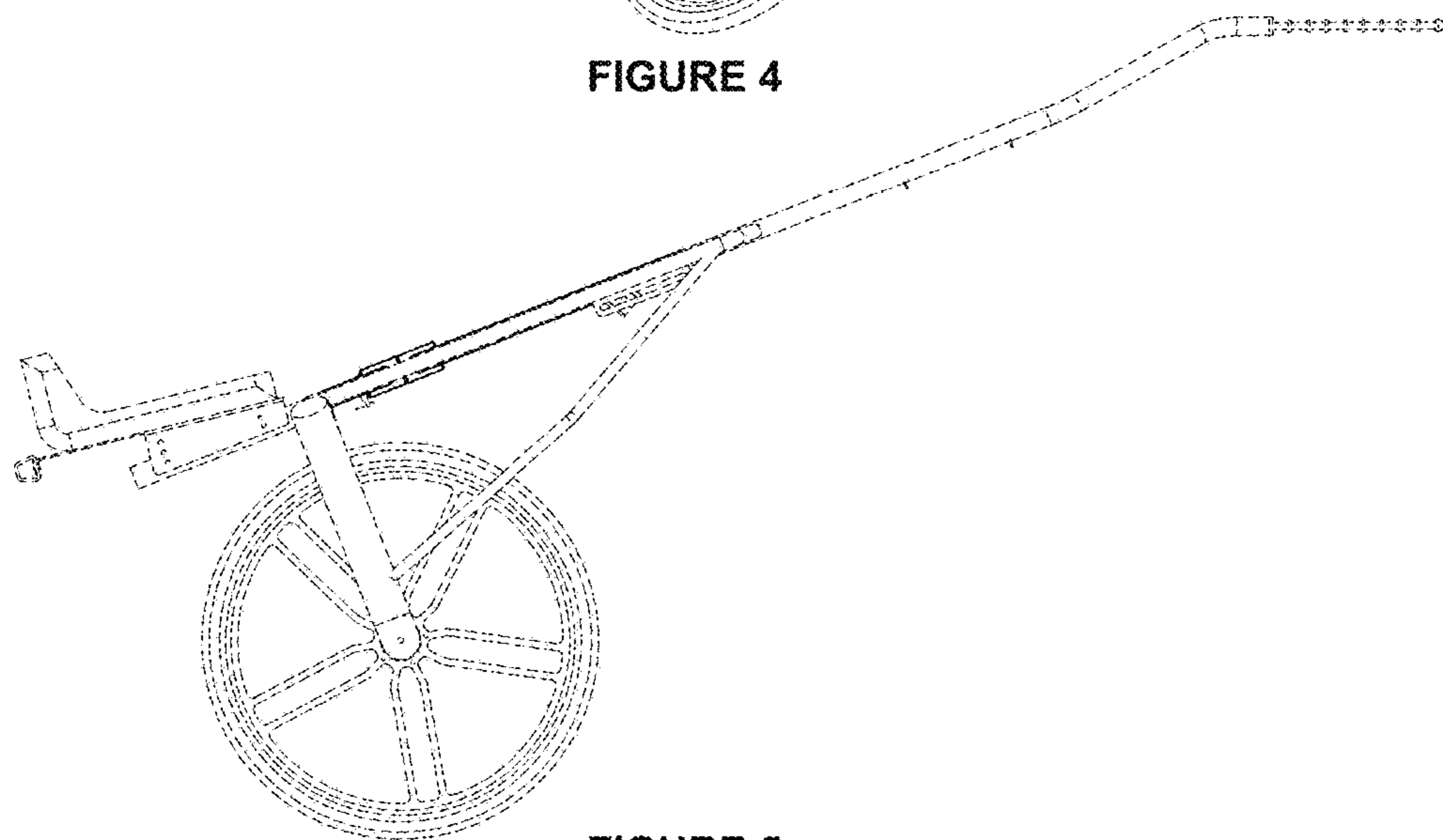


FIGURE 5

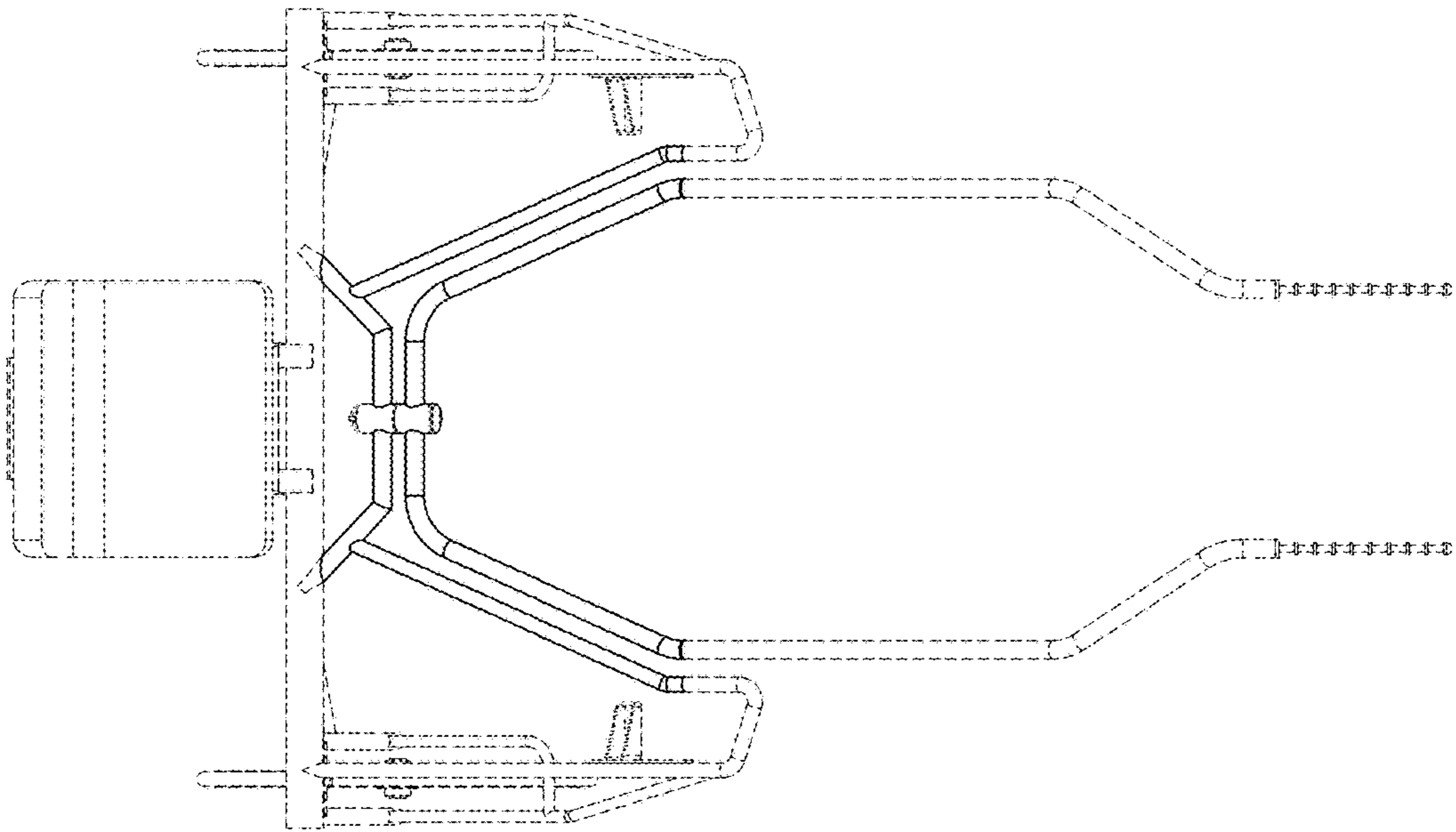


FIGURE 6

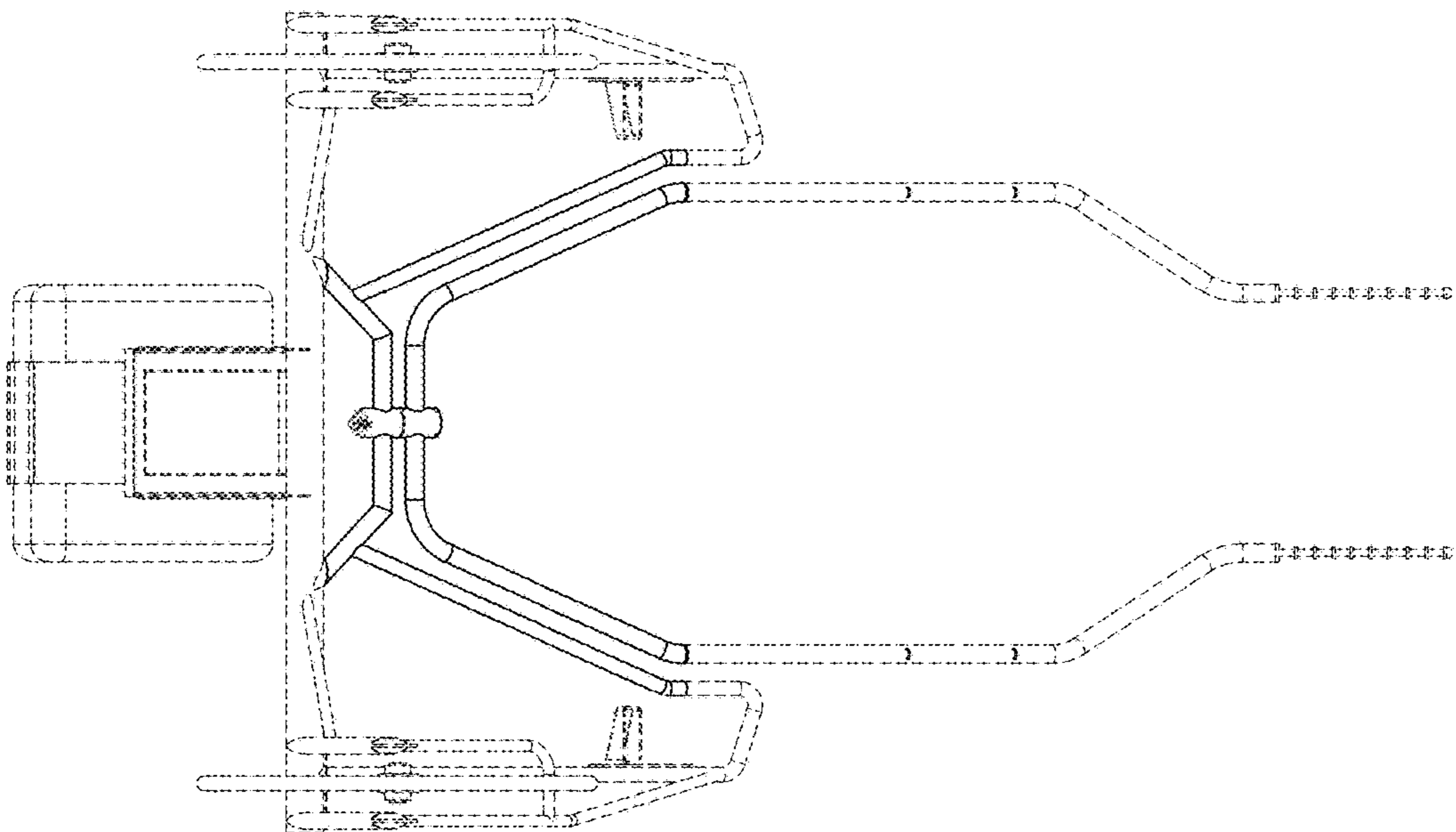


FIGURE 7

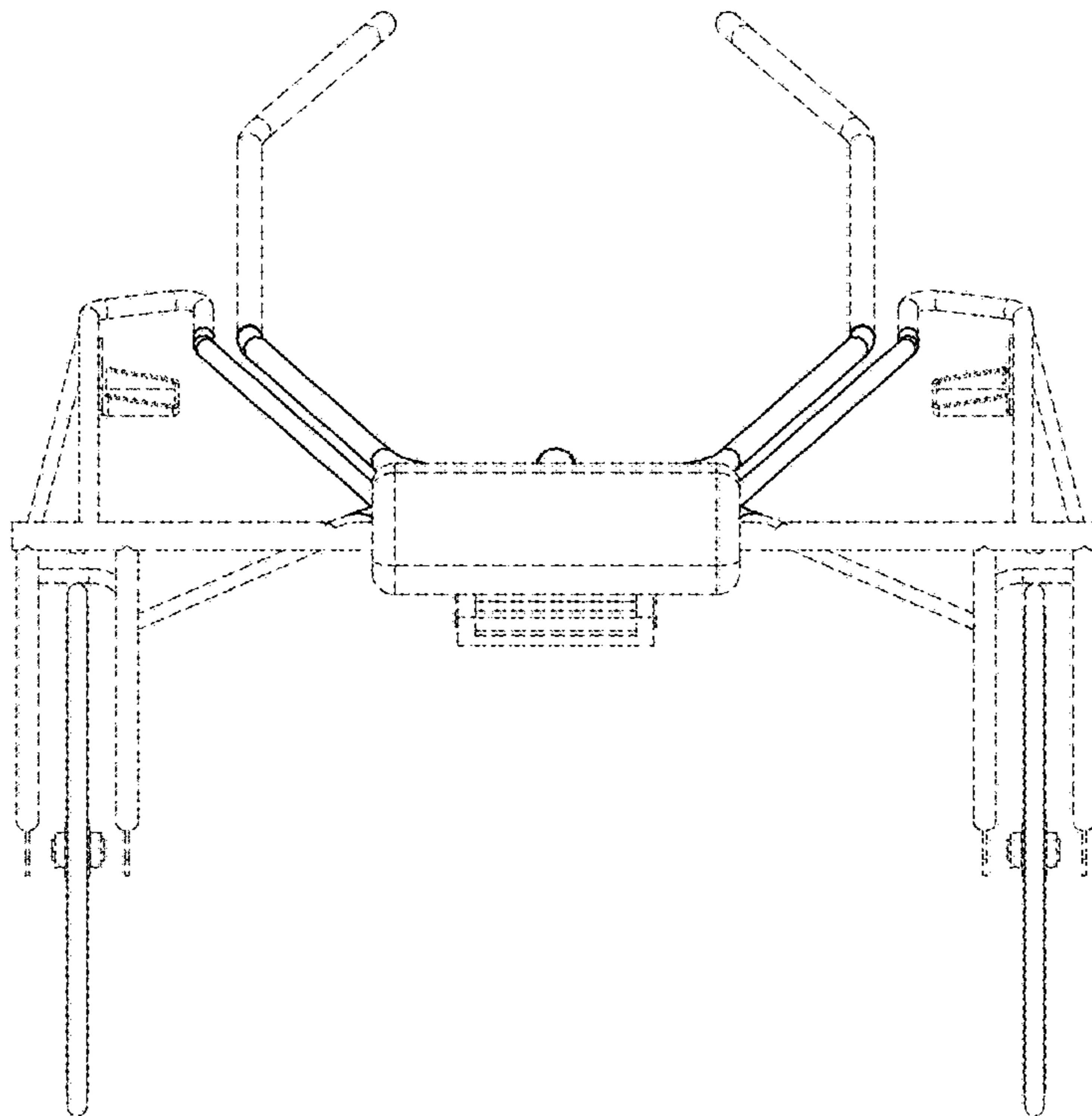


FIGURE 8

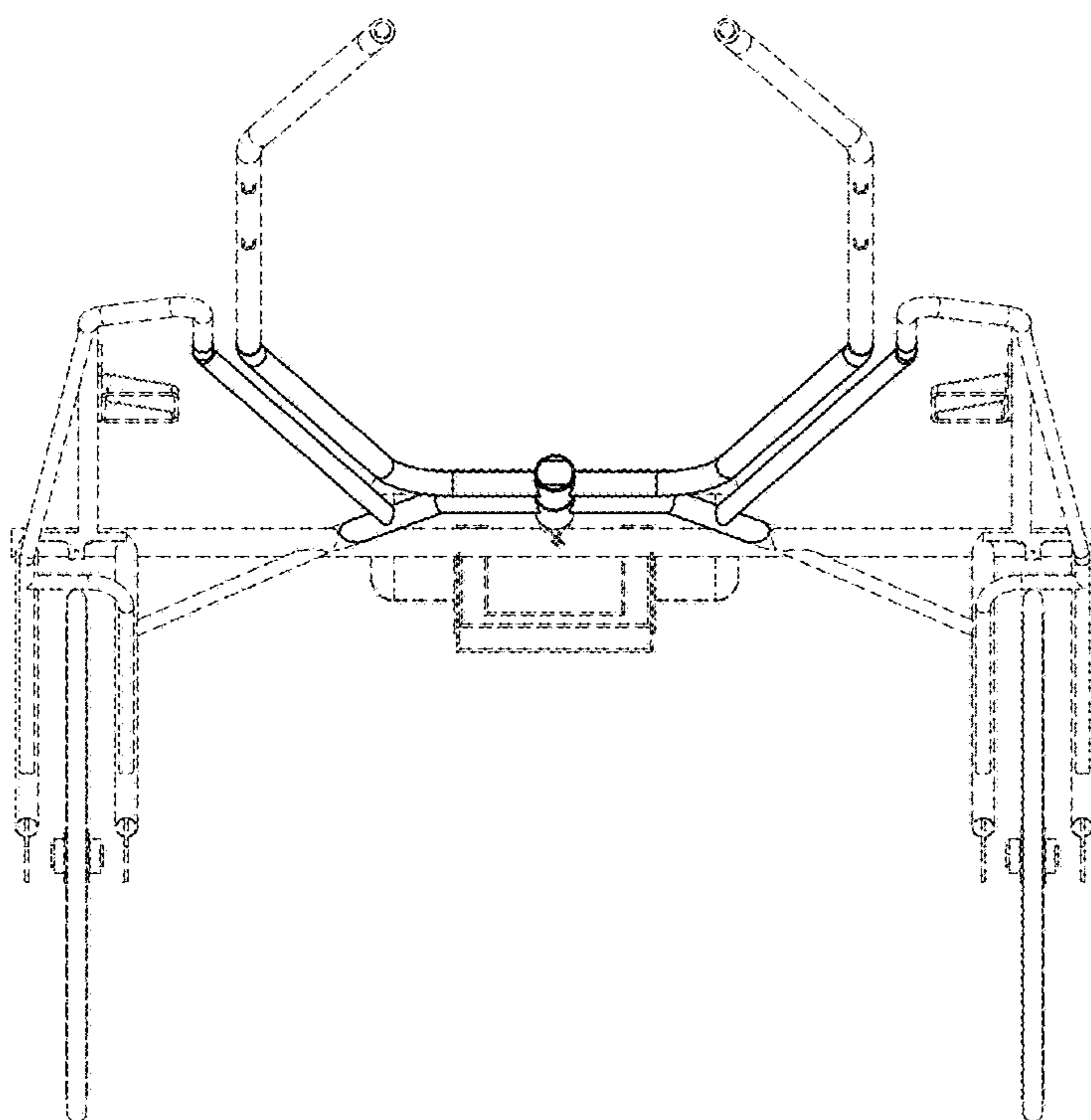


FIGURE 9

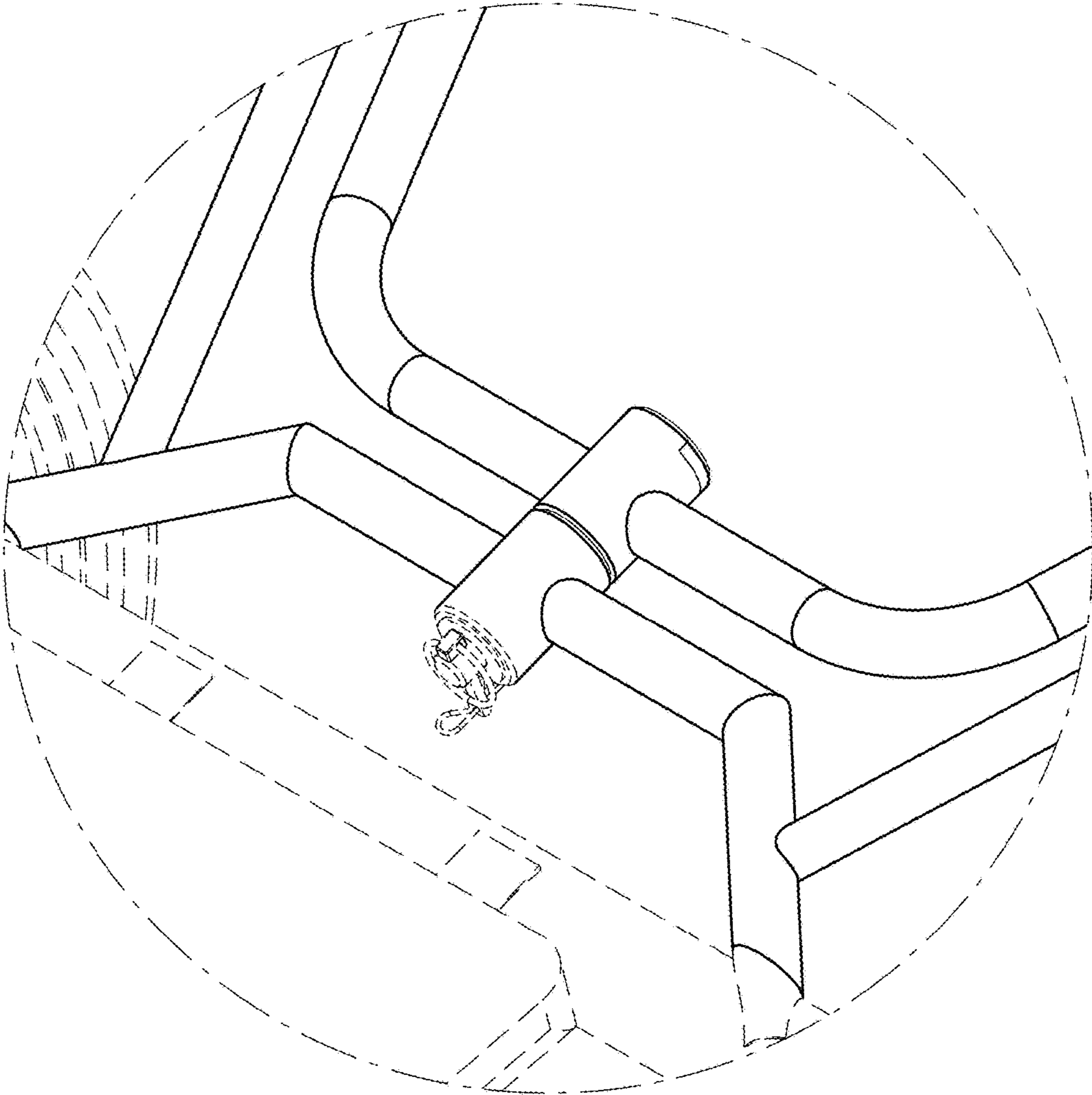


FIGURE 10