



US00D813093S

(12) **United States Design Patent**
Hund

(10) **Patent No.:** **US D813,093 S**

(45) **Date of Patent:** **** Mar. 20, 2018**

- (54) **GRABBER GEAR AND PADDLE**
- (71) Applicant: **Henry Hund**, Fort Payne, AL (US)
- (72) Inventor: **Henry Hund**, Fort Payne, AL (US)
- (73) Assignee: **The Heil Co.**, Chattanooga, TN (US)
- (**) Term: **15 Years**
- (21) Appl. No.: **29/565,776**
- (22) Filed: **May 24, 2016**
- (51) **LOC (11) Cl.** **08-10**
- (52) **U.S. Cl.**
USPC **D12/15**
- (58) **Field of Classification Search**
USPC D8/323, 327, 328, 349, 354, 363, 364,
D8/380, 381, 394; D12/15, 42, 48, 49,
D12/50, 51; D23/303; D24/155;
D34/28
CPC H01R 13/62938; H01R 13/62955; H01R
13/62933; H01R 13/639; H01R 13/6275;
H01R 13/6395; H01R 13/62905; H01R
23/7005
See application file for complete search history.

- D294,221 S * 2/1988 Sheftel 248/242
- 6,722,620 B2 * 4/2004 Rieger A47B 57/48
248/235
- D672,637 S * 12/2012 Chung D8/367
- 9,624,033 B1 * 4/2017 Price B65F 3/0213
- 2014/0134862 A1 * 5/2014 Itou H01R 13/62944
439/157

* cited by examiner

Primary Examiner — Mary Ann Calabrese

Assistant Examiner — Catherine Ho

(74) *Attorney, Agent, or Firm* — Stephen J. Stark; Miller & Martin PLLC

(57) **CLAIM**

The ornamental design for a grabber gear and paddle, as is shown and described herein.

DESCRIPTION

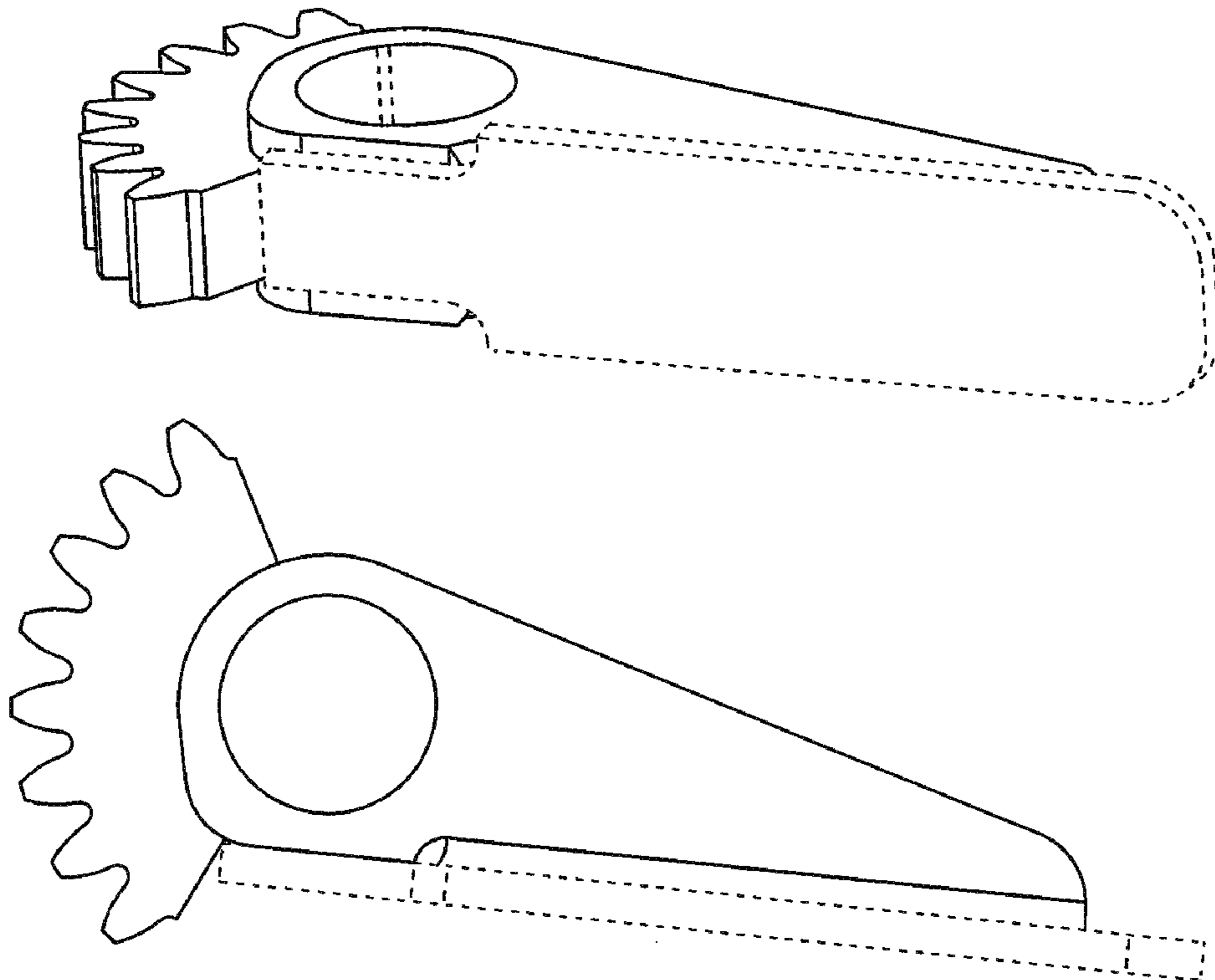
FIG. 1 is a perspective view of a grabber gear and paddle, showing my new design;
 FIG. 2 is a front side elevational view thereof;
 FIG. 3 is a top elevational view thereof, the bottom elevational view being a mirror image thereof;
 FIG. 4 is a rear elevational view thereof;
 FIG. 5 is a left side elevational view thereof; and,
 FIG. 6 is a right side elevational view thereof.
 The broken line portion of the figure drawings is included to show portions of the article that form no part of the claimed design.

1 Claim, 2 Drawing Sheets

(56) **References Cited**

U.S. PATENT DOCUMENTS

- 3,795,379 A * 3/1974 Gray A47B 57/045
248/242
- D260,852 S * 9/1981 Loeschen D8/381



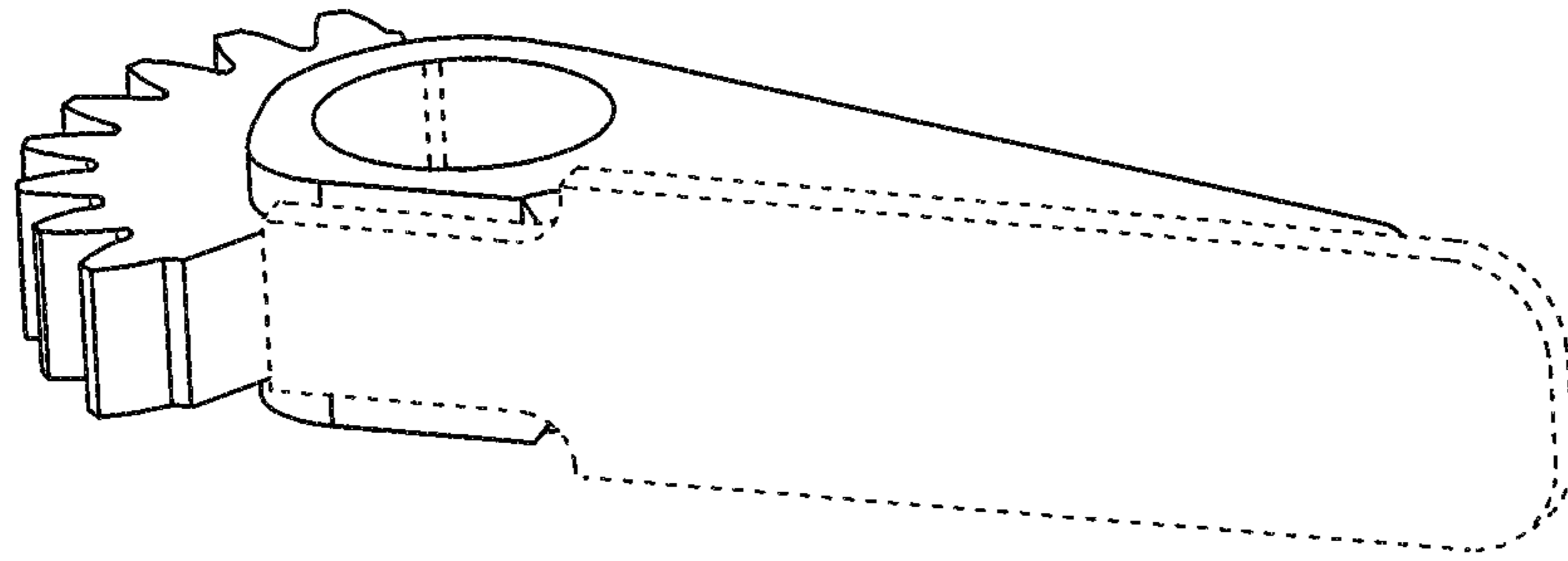


FIG. 1



FIG. 2

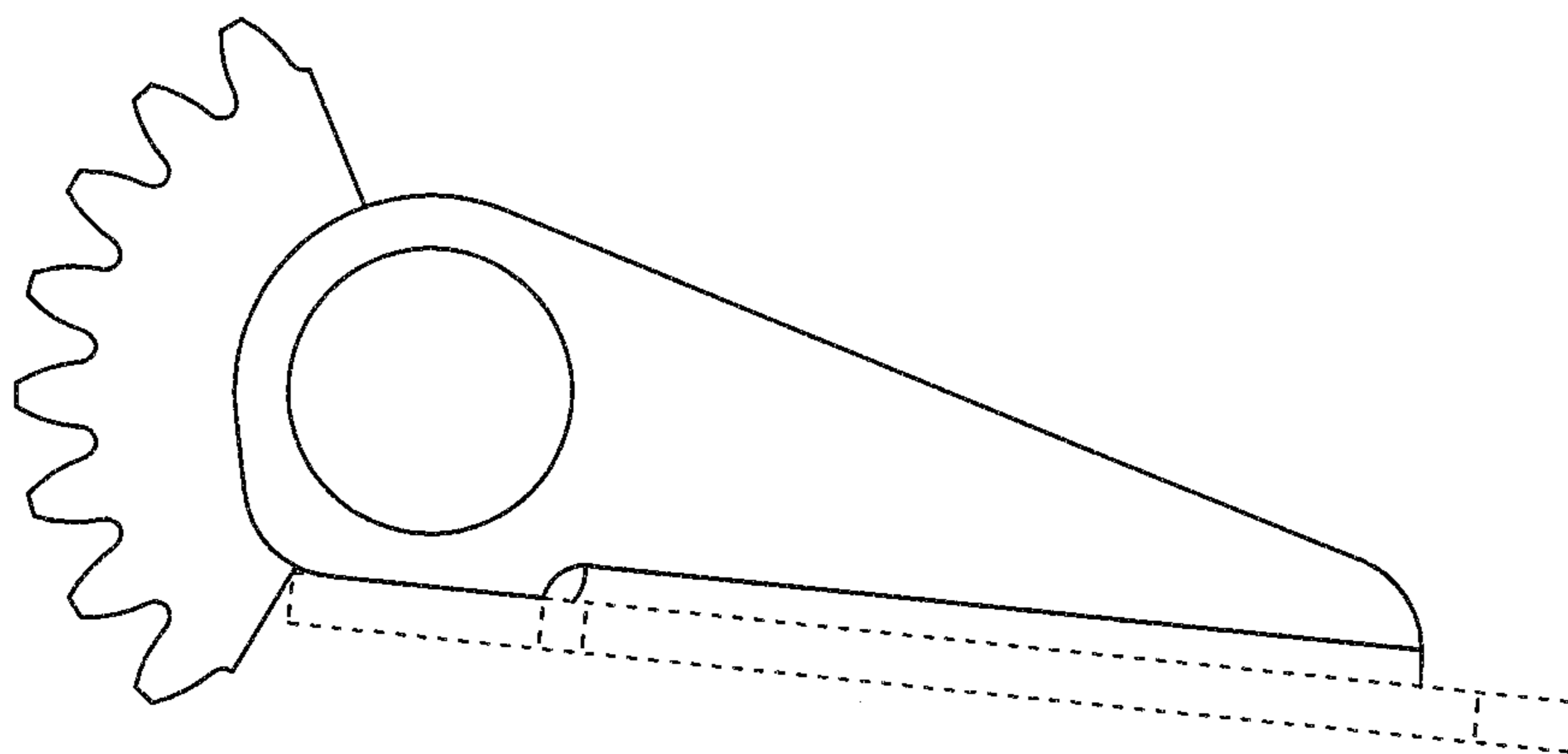


FIG. 3

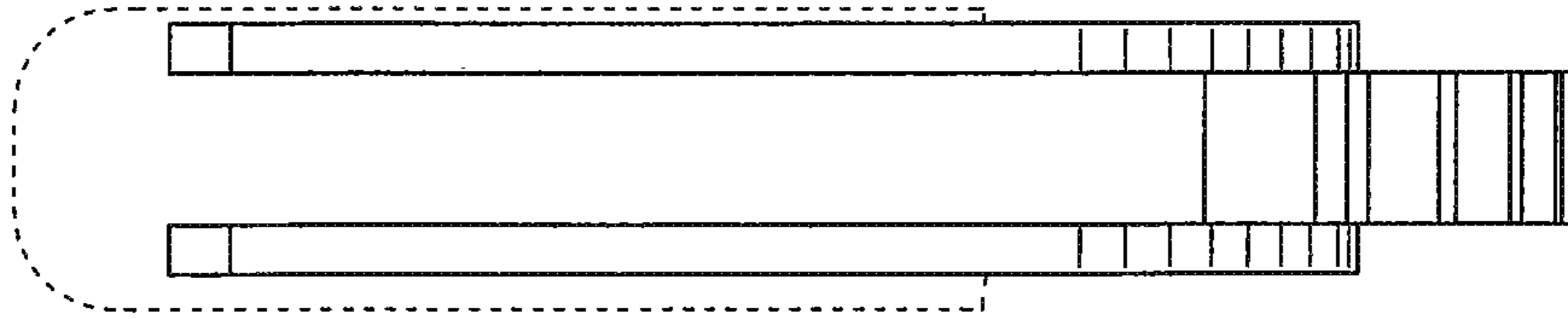


FIG. 4

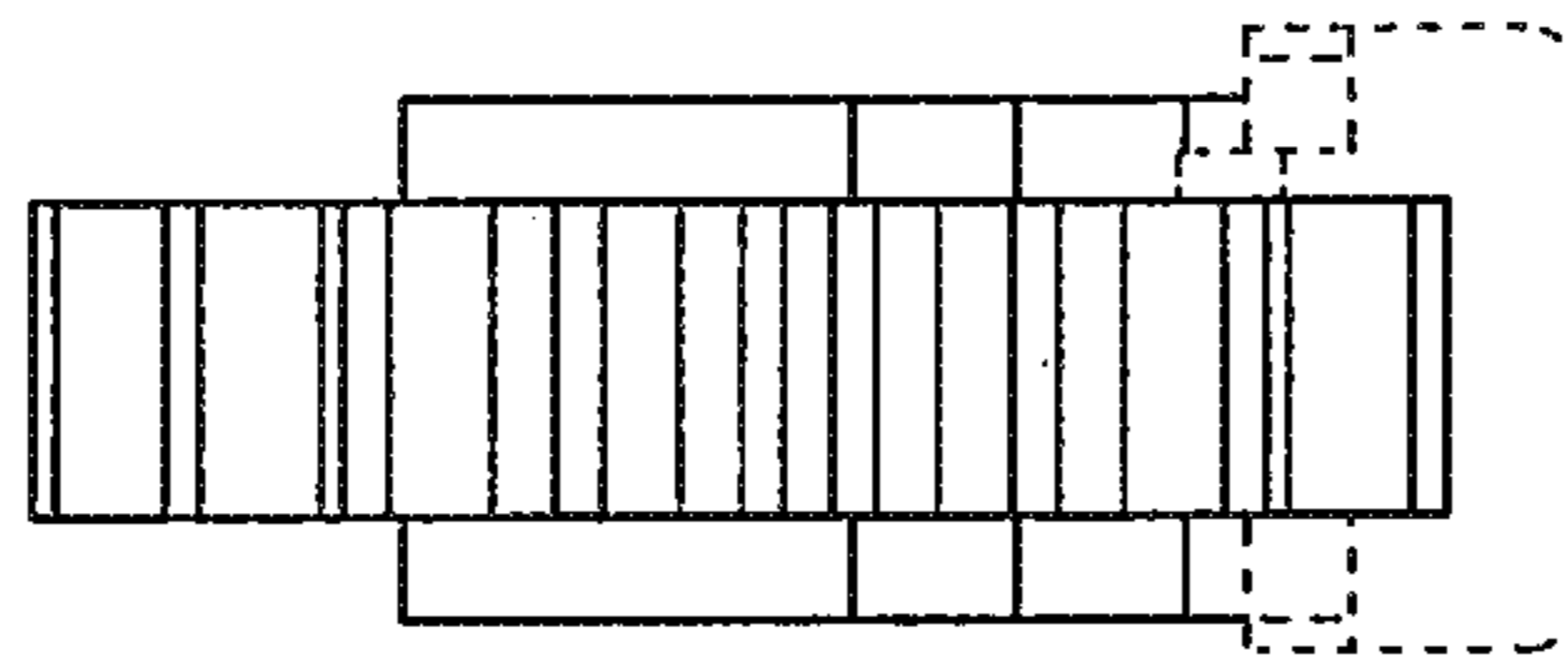


FIG. 5

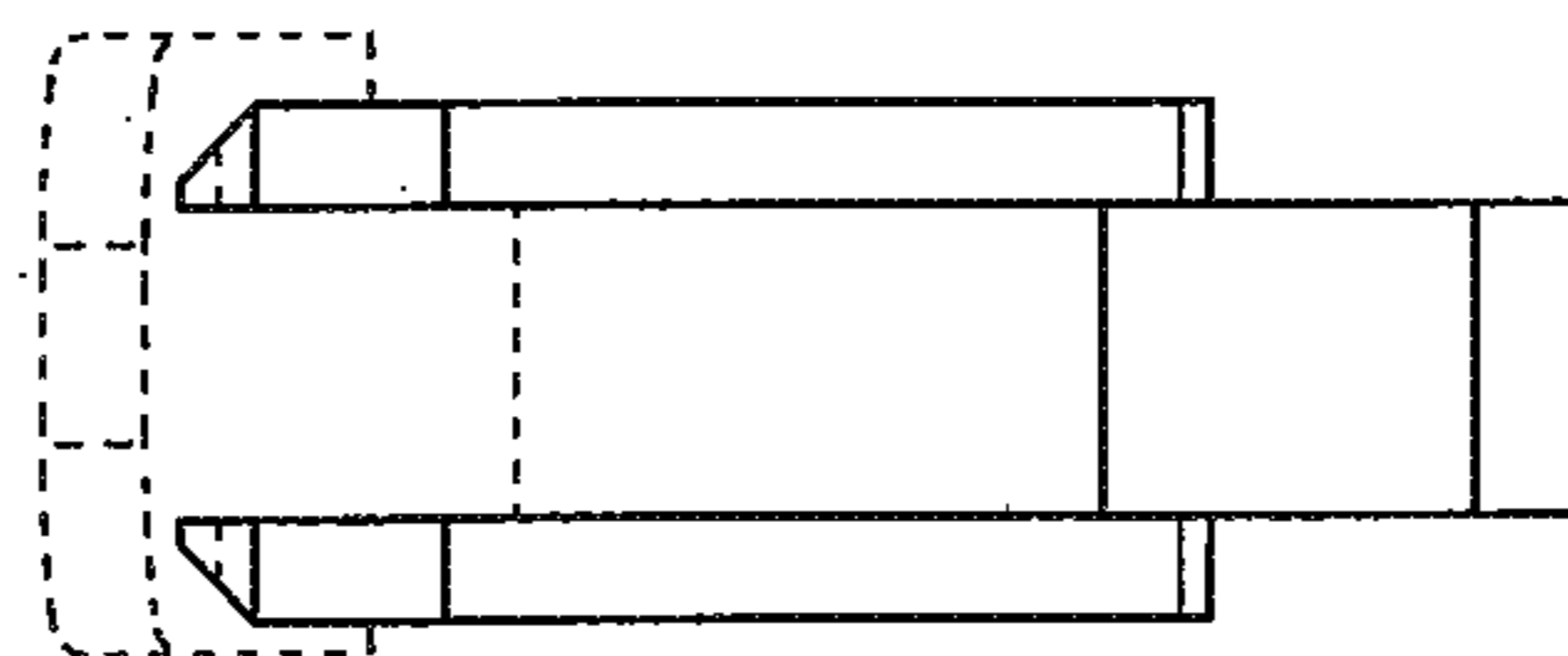


FIG. 6