



US00D813092S

(12) **United States Design Patent**
Mori

(10) **Patent No.:** **US D813,092 S**
(45) **Date of Patent:** **** Mar. 20, 2018**

(54) **TOW TRACTOR**

(71) Applicant: **KABUSHIKI KAISHA TOYOTA**
JIDOSHOKKI, Kariya-shi, Aichi-ken
(JP)

(72) Inventor: **Hiroki Mori**, Kariya (JP)

(73) Assignee: **KABUSHIKI KAISHA TOYOTA**
JIDOSHOKKI, Kariya-shi, Aichi-ken
(JP)

(**) Term: **15 Years**

(21) Appl. No.: **29/582,422**

(22) Filed: **Oct. 27, 2016**

(30) **Foreign Application Priority Data**

Apr. 28, 2016 (JP) 2016-009445

(51) **LOC (11) Cl.** **12-13**

(52) **U.S. Cl.**
USPC **D12/14**

(58) **Field of Classification Search**
USPC D12/14, 107, 3, 1, 16; D15/5, 15;
D25/62, 68, 69
CPC B62D 49/085; B62D 25/10; B62D 21/183;
B66F 9/07554; B60G 11/04; B60G 9/00;
B60G 2200/31; B64F 1/22; B64F 1/227;
B64F 1/00; B60B 39/12; E04F 11/112
See application file for complete search history.

(56) **References Cited**

U.S. PATENT DOCUMENTS

- 2,486,911 A * 11/1949 Becker B60B 39/12
238/14
- D296,321 S * 6/1988 Hayes D12/203
- D311,505 S * 10/1990 Reinhart D12/14
- D325,183 S * 4/1992 Nishikawa D12/14
- D375,290 S * 11/1996 Hall D12/318
- D434,158 S * 11/2000 Armstrong D25/69

- D441,093 S * 4/2001 Johnson D25/163
- D477,271 S * 7/2003 Weber D12/14
- D491,848 S 6/2004 Metros et al.
- 6,817,447 B1 * 11/2004 Pedersen E04F 11/112
182/228.1

- D545,248 S 6/2007 Angelo et al.
- D563,840 S 3/2008 Simons et al.

(Continued)

OTHER PUBLICATIONS

Communication dated Oct. 19, 2017, issued by the U.S. Patent and Trademark Office during the prosecution of the related U.S. Appl. No. 29/582,392.

Primary Examiner — Karen S Acker

Assistant Examiner — Jerry Shiuian-Hua Hsu

(74) *Attorney, Agent, or Firm* — Sughrue Mion, PLLC

(57) **CLAIM**

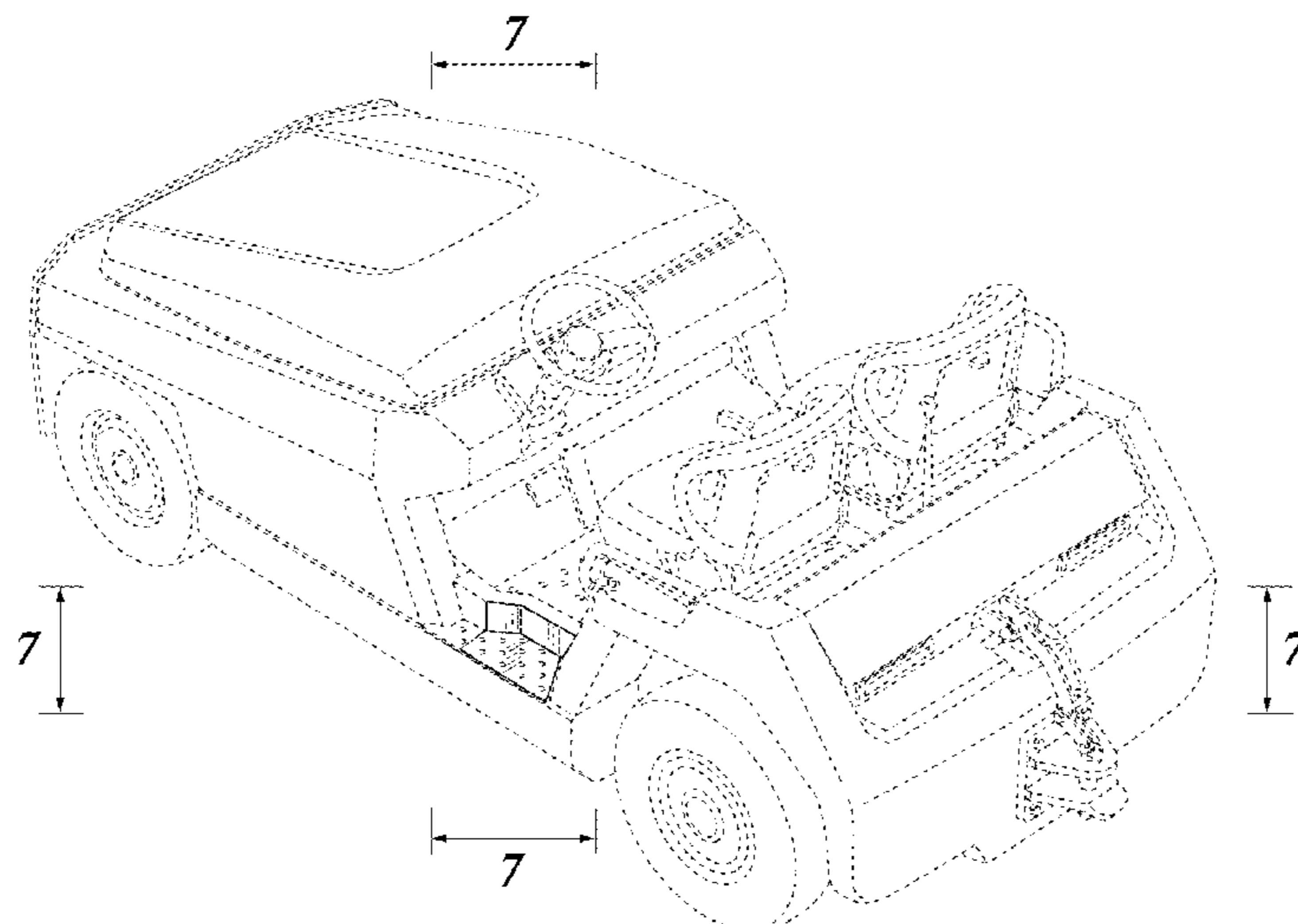
The ornamental design for a tow tractor, as shown and described.

DESCRIPTION

FIG. 1 is a front, top and right side perspective view of a tow tractor showing my new design;
 FIG. 2 is a front view thereof;
 FIG. 3 is a rear view thereof;
 FIG. 4 is a top plan view thereof;
 FIG. 5 is a right side view thereof;
 FIG. 6 is a left side view thereof;
 FIG. 7 is an enlarged view of the portion indicated by line 7-7 in FIG. 1; and,
 FIG. 8 is an enlarged view of the portion indicated by line 8-8 in FIG. 4.

The bottom plan view is omitted since it is unornamented and forms no part of the claimed design. The broken lines illustrate portions of the tow tractor and form no part of the claimed design. The dash-dotted lines denote the boundary of the claim and form no part the claimed design.

1 Claim, 8 Drawing Sheets



(56)

References Cited

U.S. PATENT DOCUMENTS

D594,564 S * 6/2009 Disch D25/69
8,701,812 B2* 4/2014 Uno B62D 25/10
180/65.1
D716,694 S * 11/2014 Higashikawa D12/14
D721,621 S 1/2015 Platto et al.
D740,730 S 10/2015 Peltola et al.
RE46,247 E 12/2016 Hanson et al.
D793,293 S 8/2017 Lee et al.
2010/0181786 A1 7/2010 Tejler et al.
2016/0221809 A1* 8/2016 Fukatsu B62D 49/085

* cited by examiner

FIG. 1

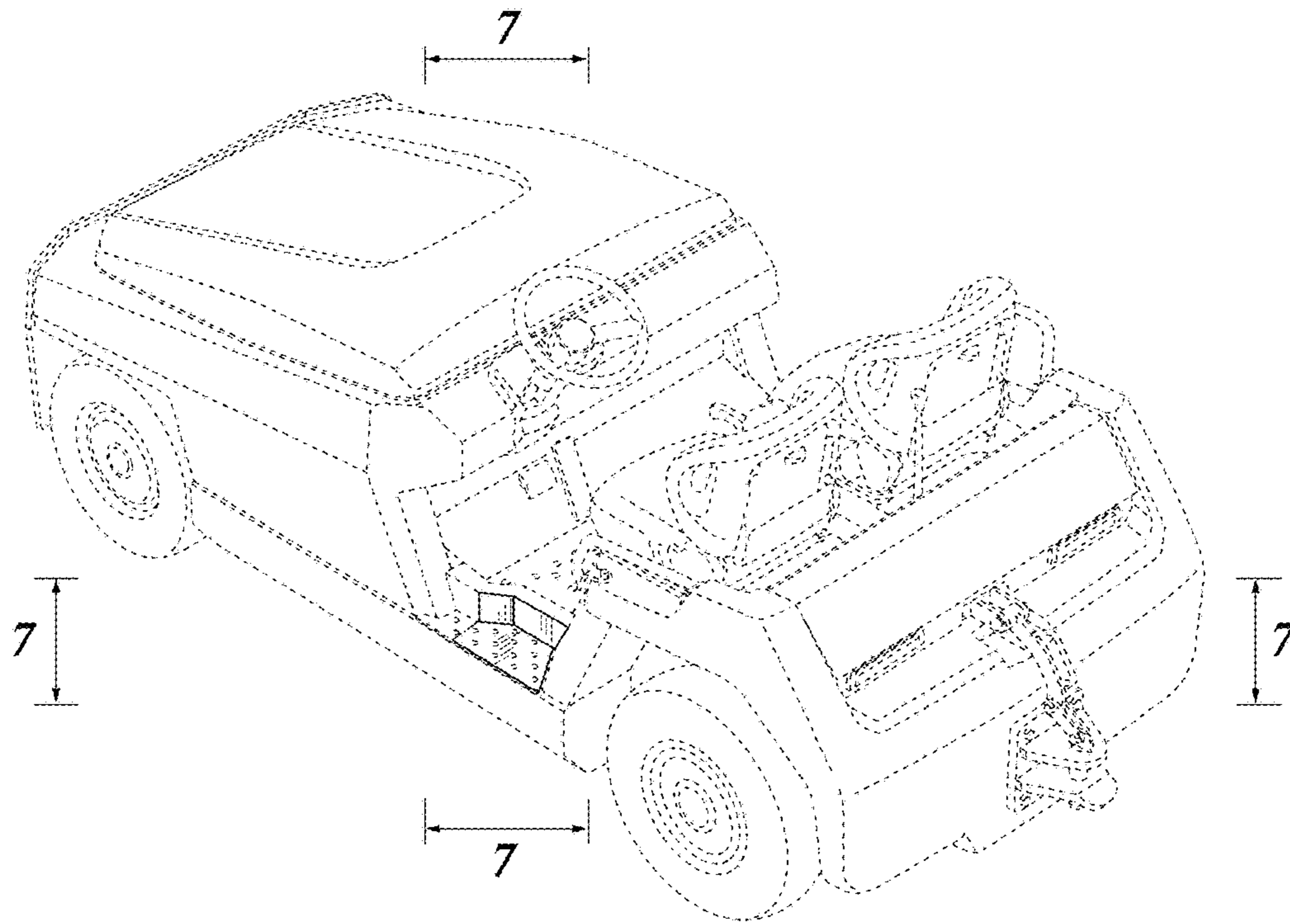


FIG. 2

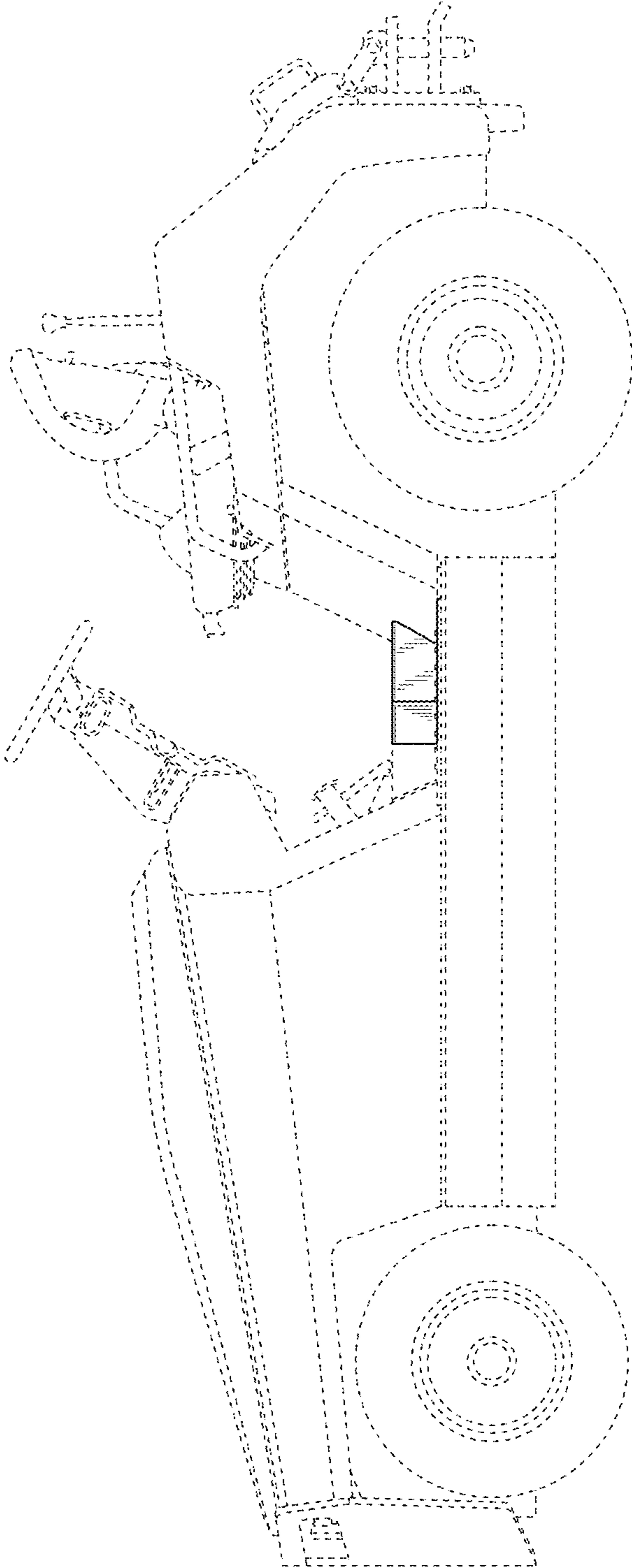


FIG. 3

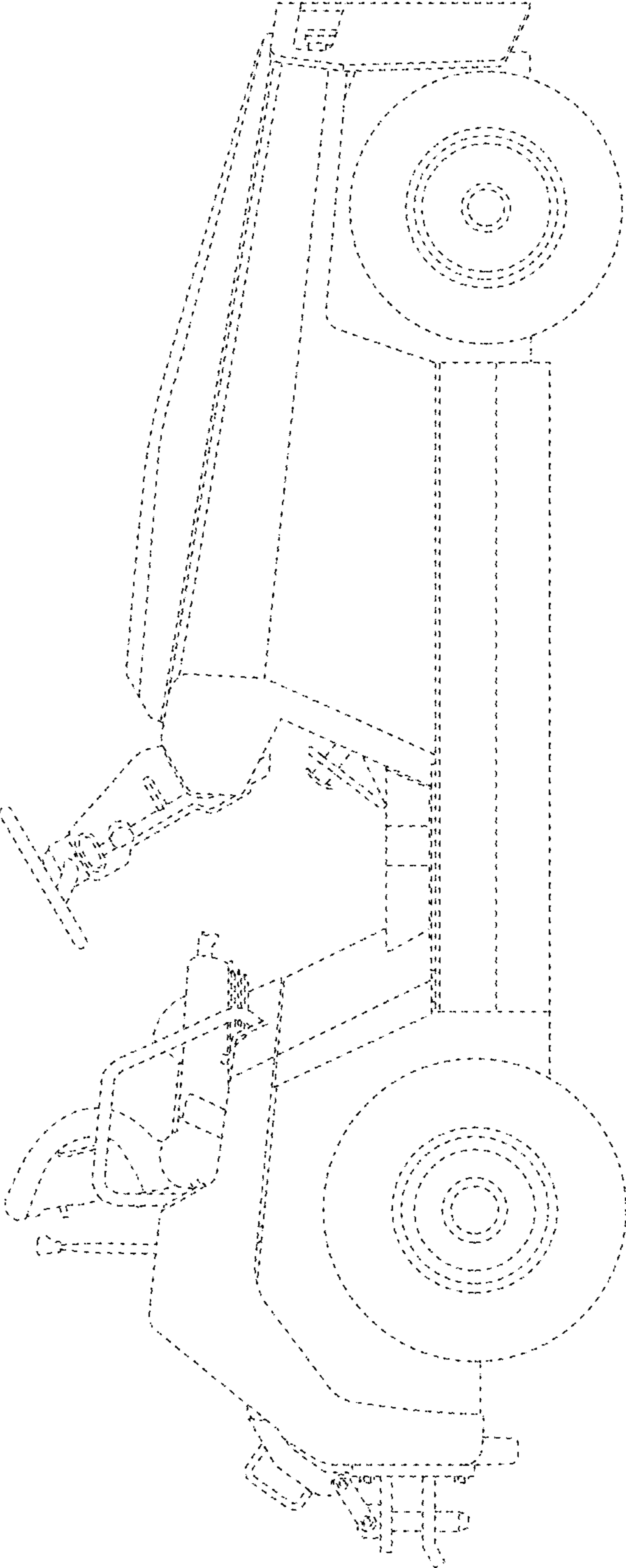


FIG. 4

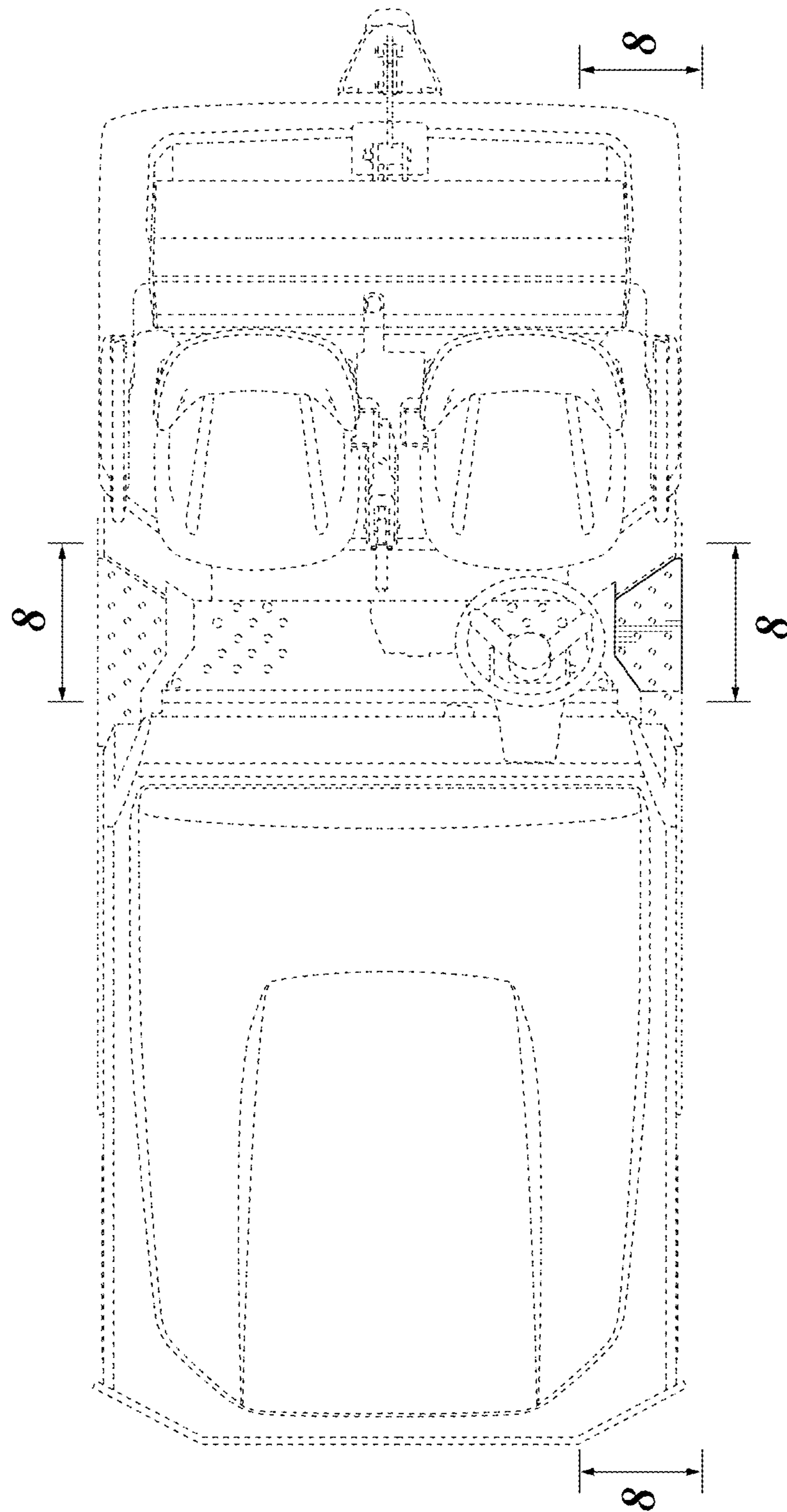


FIG. 5

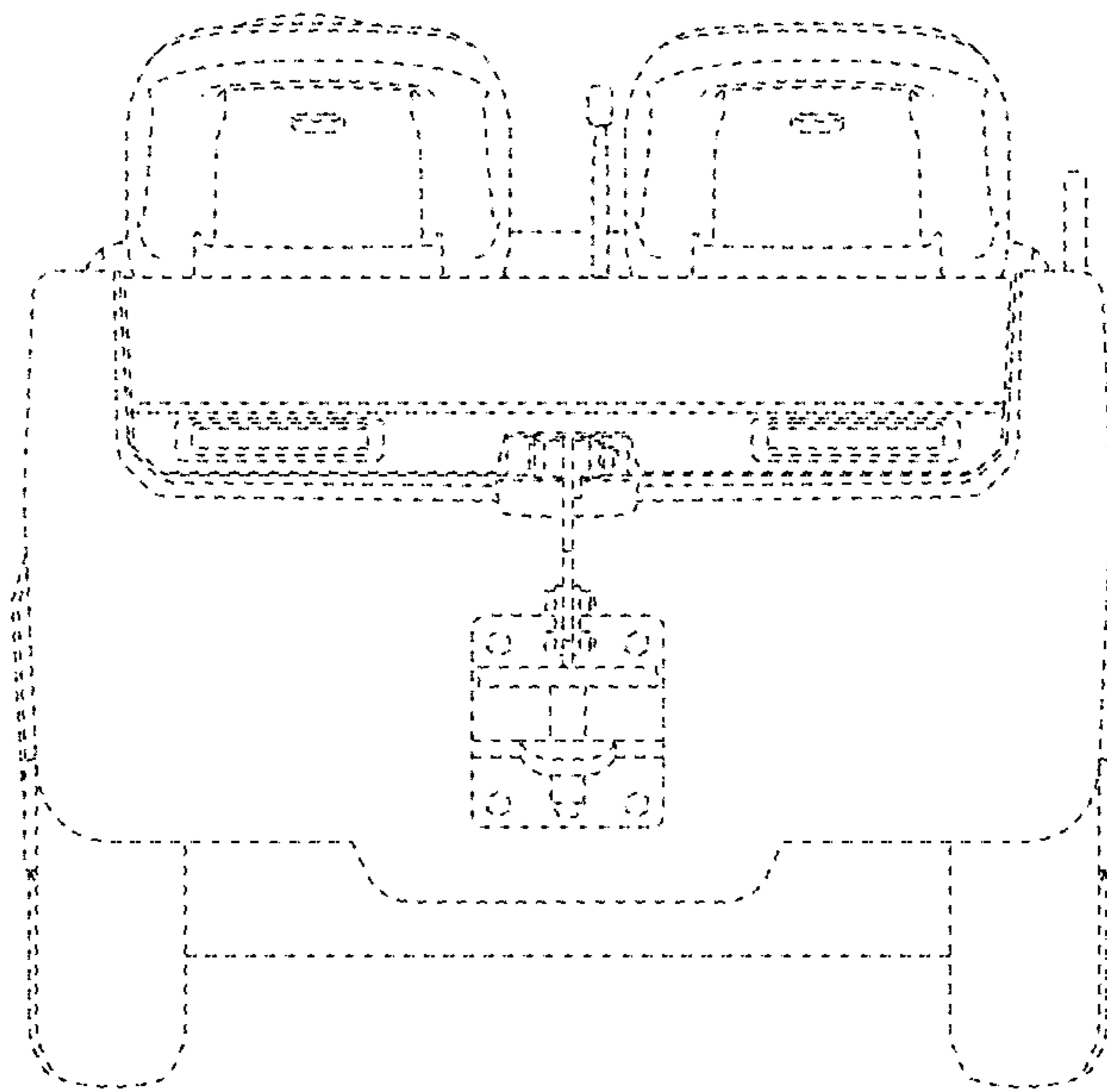


FIG. 6

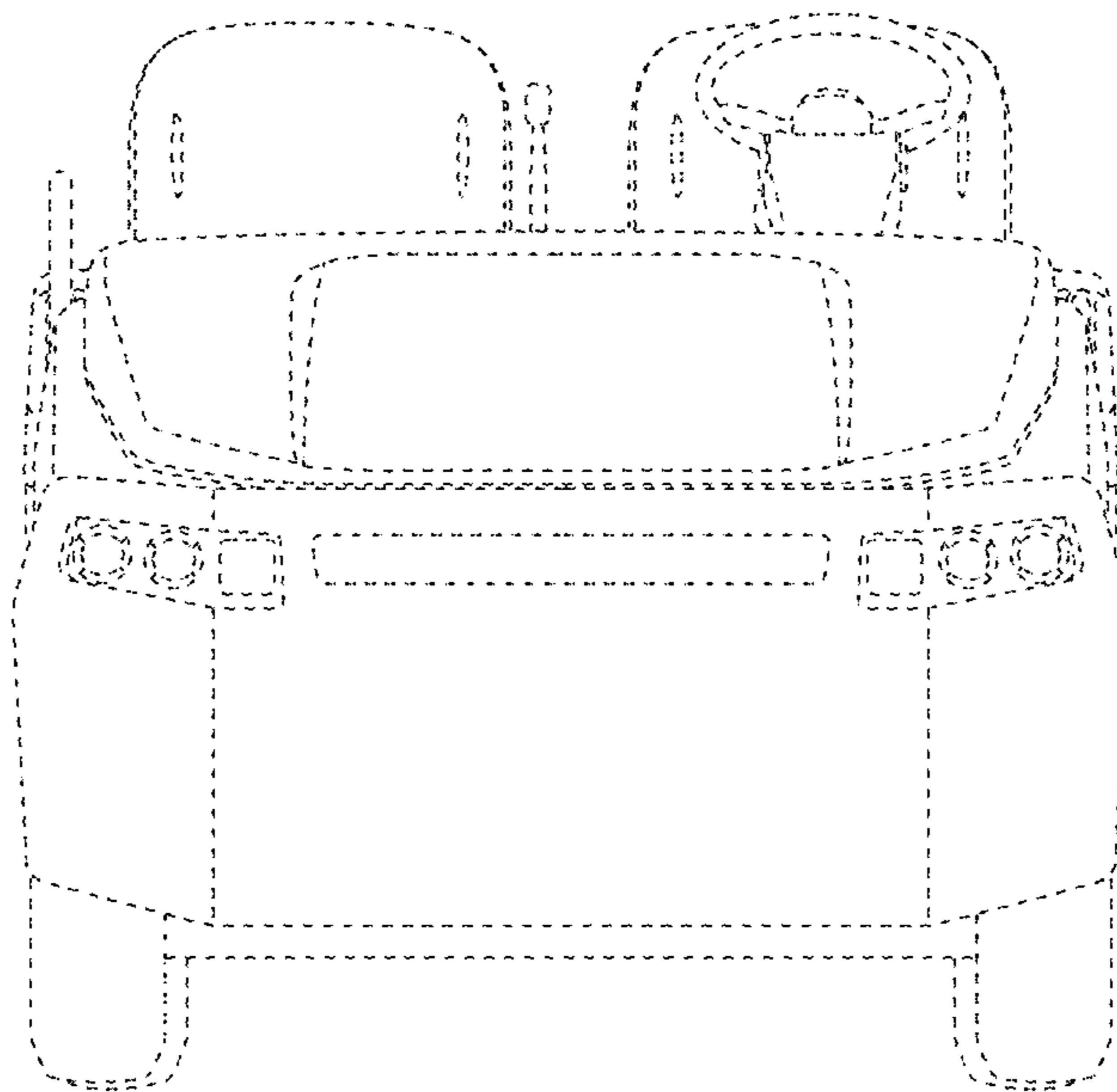


FIG. 7

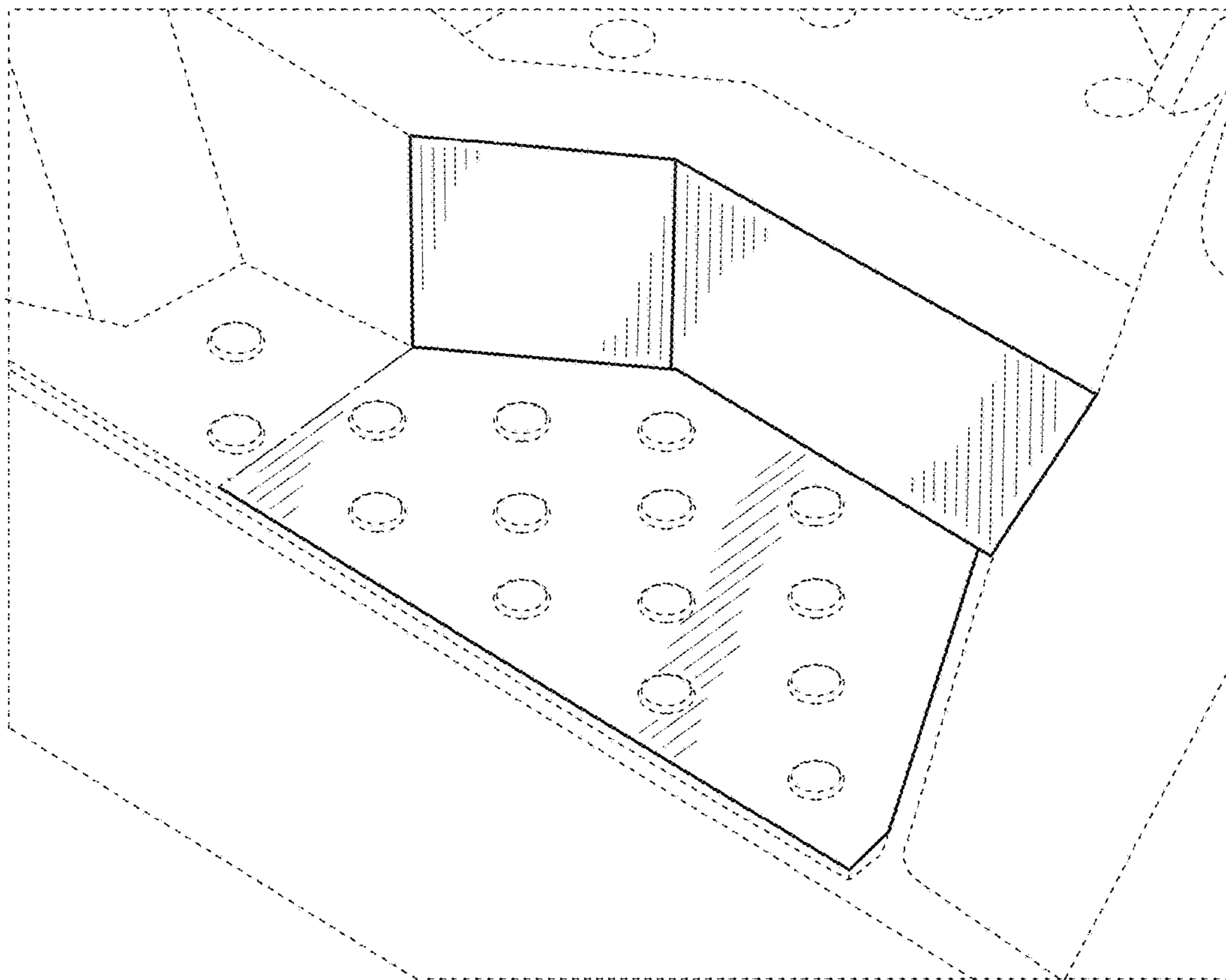


FIG. 8

