



US00D813091S

(12) **United States Design Patent**  
**Tharp**

(10) **Patent No.:** **US D813,091 S**

(45) **Date of Patent:** **\*\* Mar. 20, 2018**

(54) **SNOWMOBILE**

(71) Applicant: **Travers J. Tharp**, Akeley, MN (US)

(72) Inventor: **Travers J. Tharp**, Akeley, MN (US)

(\*\*) Term: **15 Years**

(21) Appl. No.: **29/548,962**

(22) Filed: **Dec. 17, 2015**

(51) **LOC (11) Cl.** ..... **12-14**

(52) **U.S. Cl.**  
USPC ..... **D12/7**

(58) **Field of Classification Search**  
USPC ..... D12/7, 8, 10, 9  
CPC ..... B62B 15/007; B62B 17/06; B62B 19/02;  
B62M 27/00; B62M 27/02; B62M  
2027/025; B62M 2027/026; B62M  
2027/028; B62M 2027/021; A63C 5/00;  
B60K 11/04

See application file for complete search history.

(56) **References Cited**

**U.S. PATENT DOCUMENTS**

D333,110 S \* 2/1993 Mogi ..... D12/7  
D778,783 S \* 2/2017 Will ..... D12/7  
2008/0017431 A1\* 1/2008 Sadakuni ..... B62D 55/07  
180/193

2015/0259032 A1\* 9/2015 Mangum ..... B62M 27/02  
180/184  
2016/0167722 A1\* 6/2016 Anderson ..... B62D 55/108  
180/9.54  
2016/0176317 A1\* 6/2016 Girouard ..... B60N 2/40  
180/190

\* cited by examiner

*Primary Examiner* — T. Chase Nelson

*Assistant Examiner* — Ania Aman

(74) *Attorney, Agent, or Firm* — Underwood & Associates, LLC

(57) **CLAIM**

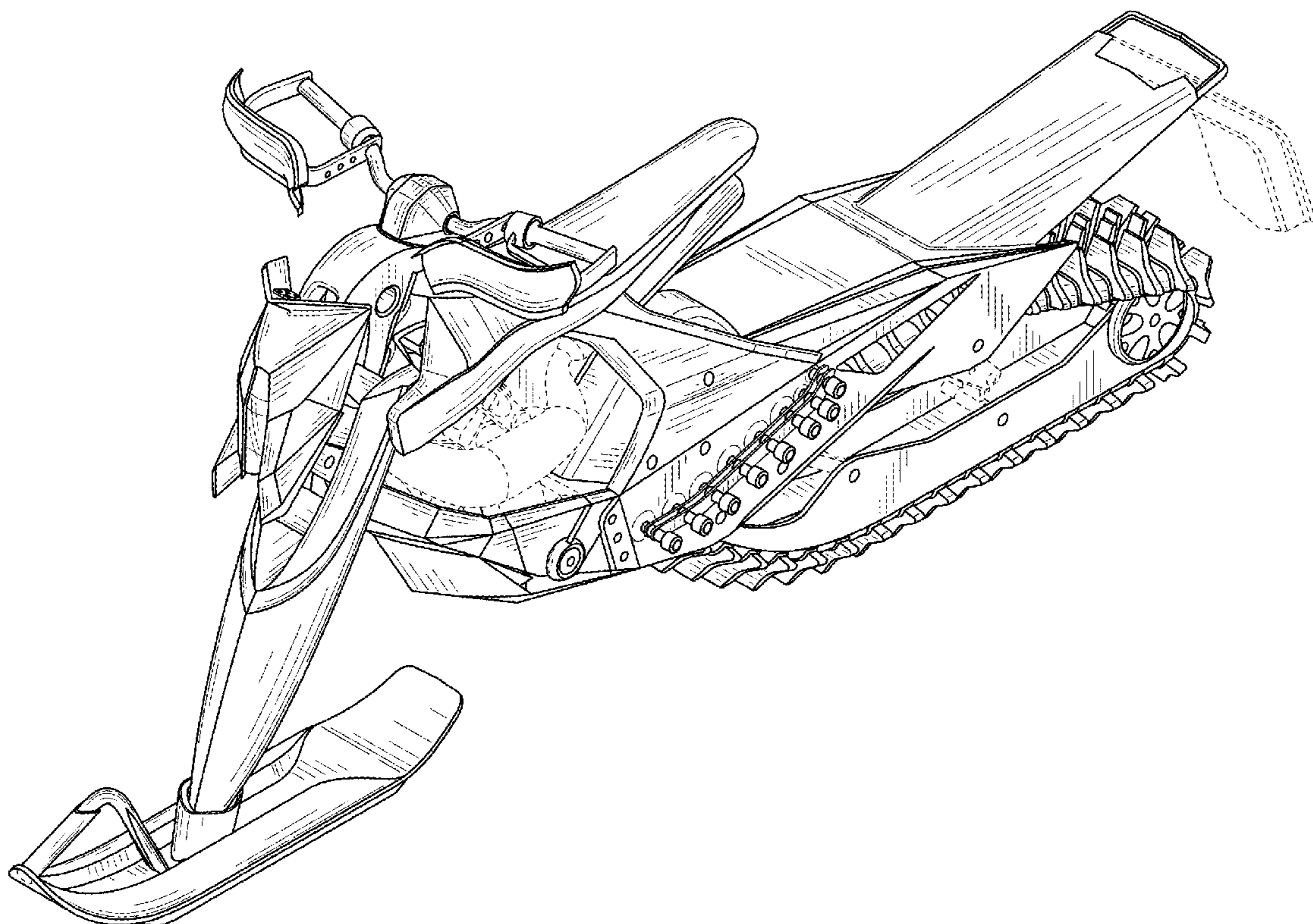
The ornamental design for a snowmobile, as shown and described.

**DESCRIPTION**

FIG. 1 is a perspective view of a snowmobile showing my new design;  
FIG. 2 is a front elevation view thereof;  
FIG. 3 is a rear elevation view thereof;  
FIG. 4 is a right-side elevation view thereof;  
FIG. 5 is a left-side elevation view thereof;  
FIG. 6 is a top plan view thereof; and,  
FIG. 7 is a bottom plan view thereof.

The broken lines shown in the drawings are for the purpose of illustrating portions of the article that form no part of the claimed design.

**1 Claim, 6 Drawing Sheets**



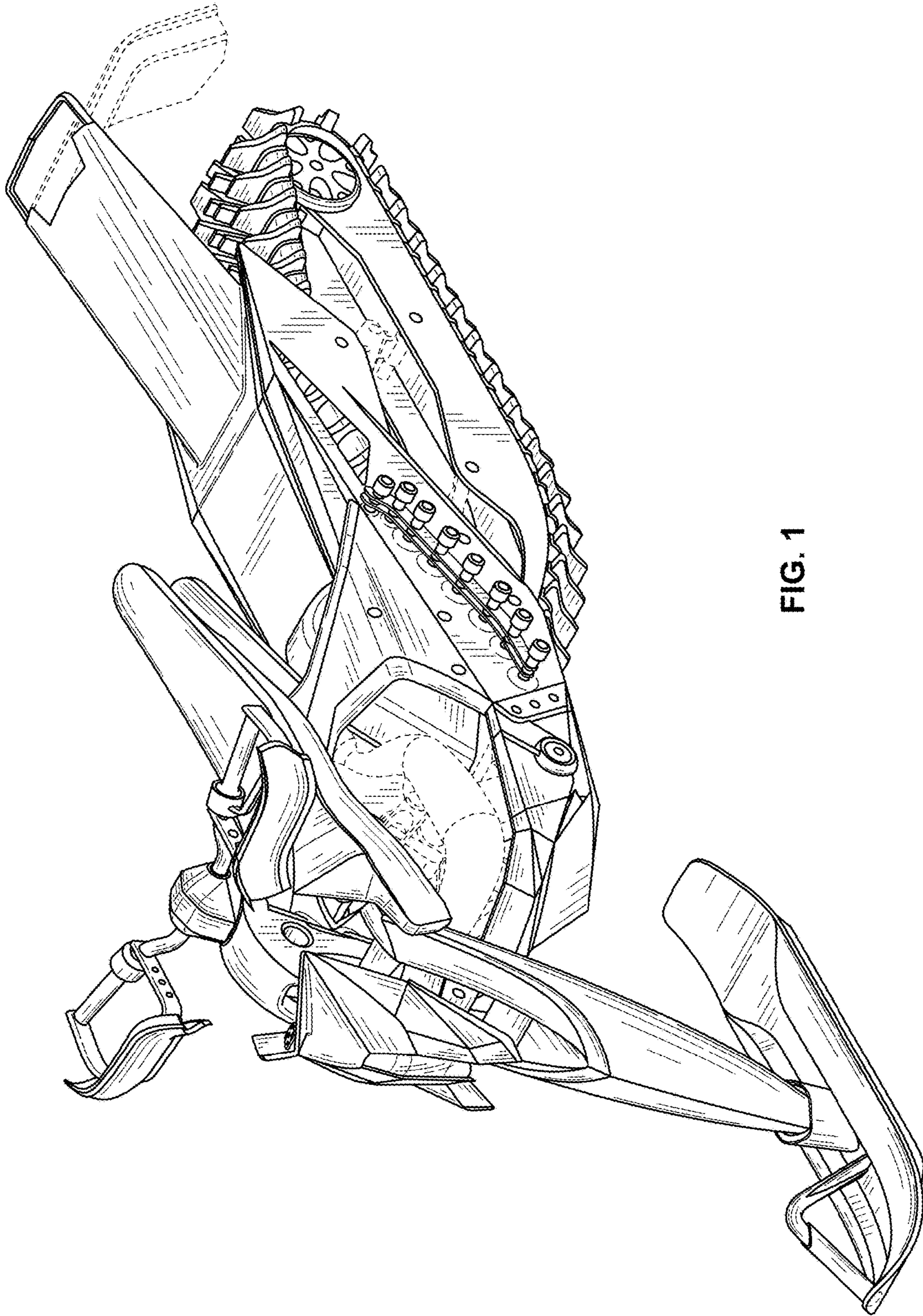


FIG. 1



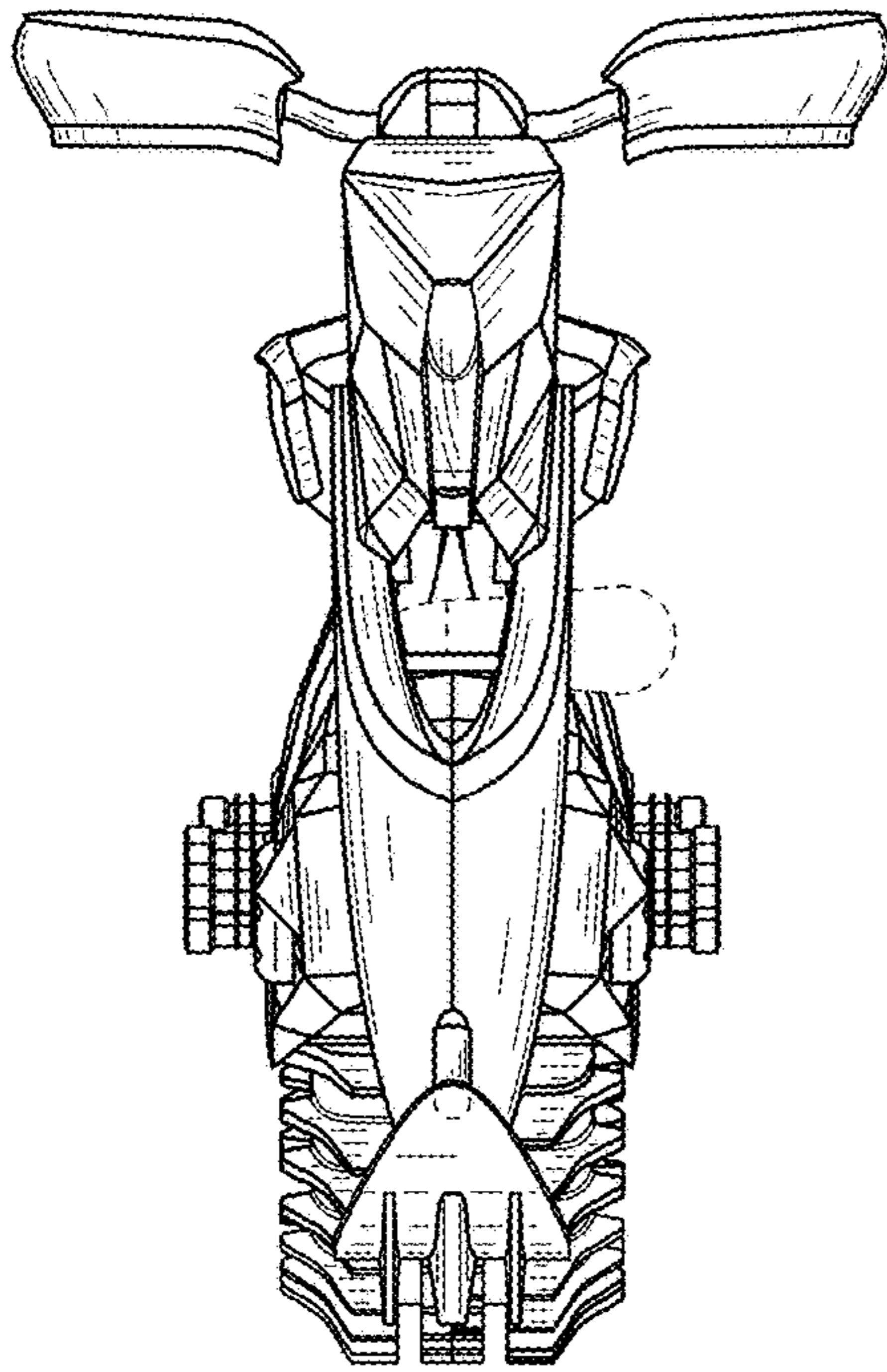


FIG. 2

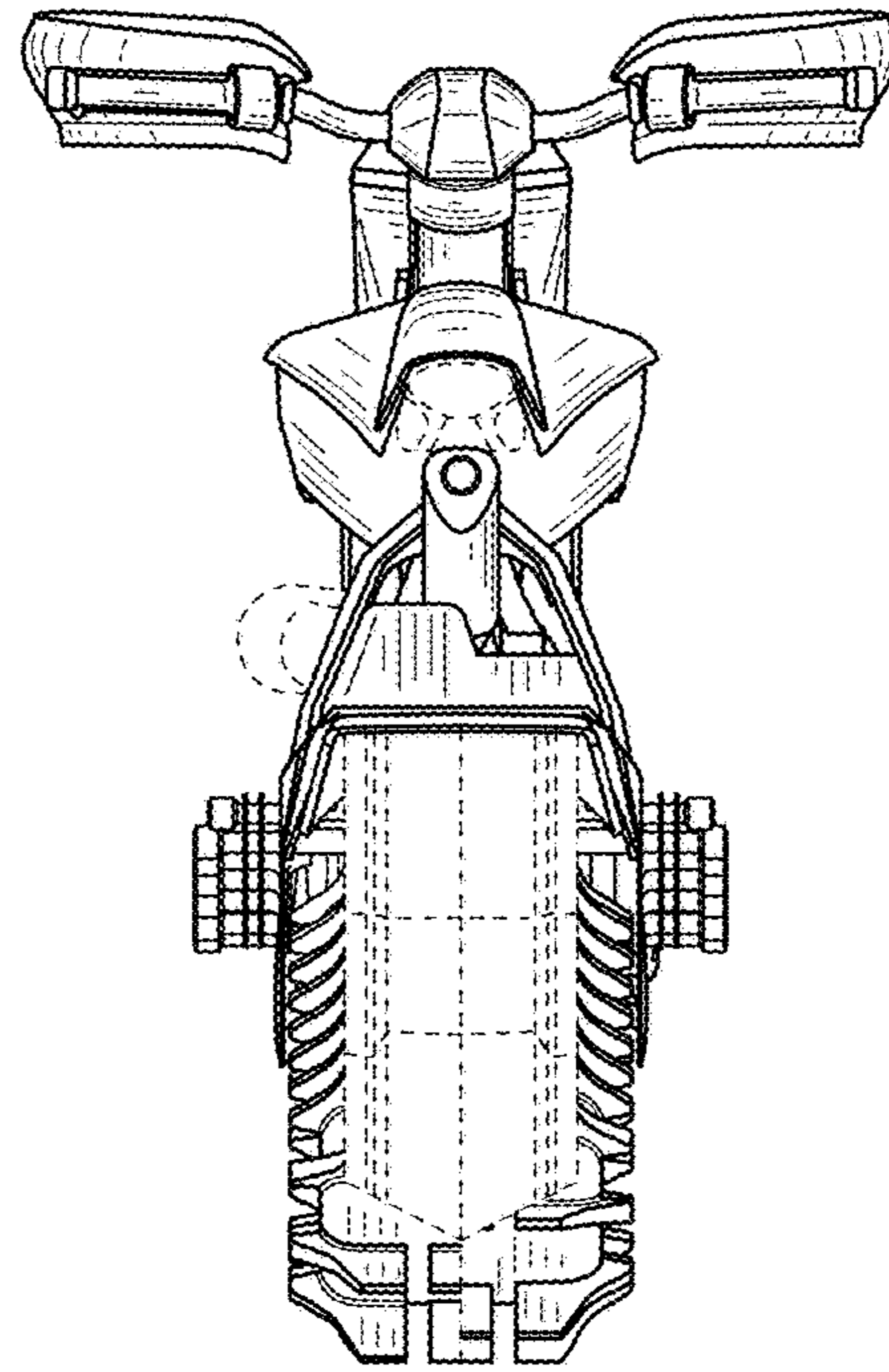


FIG. 3

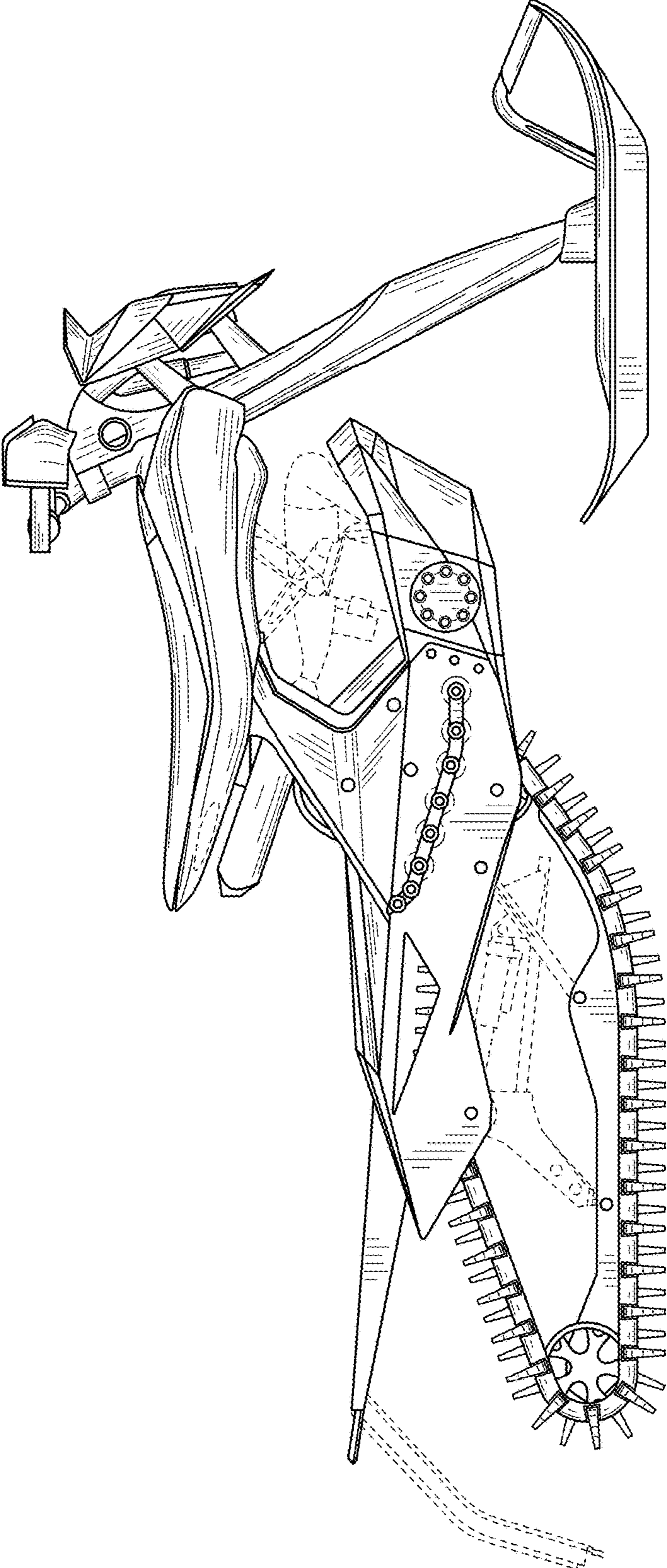


FIG. 4

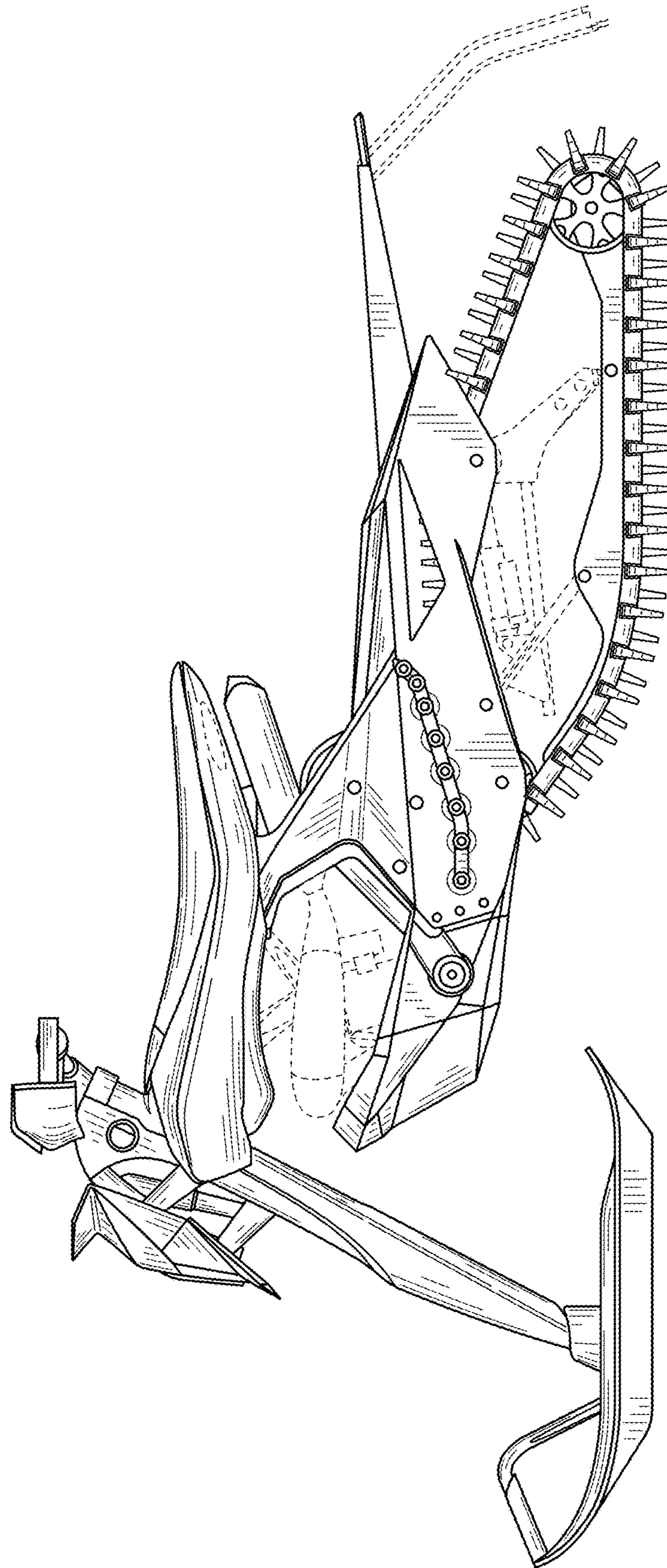


FIG. 5



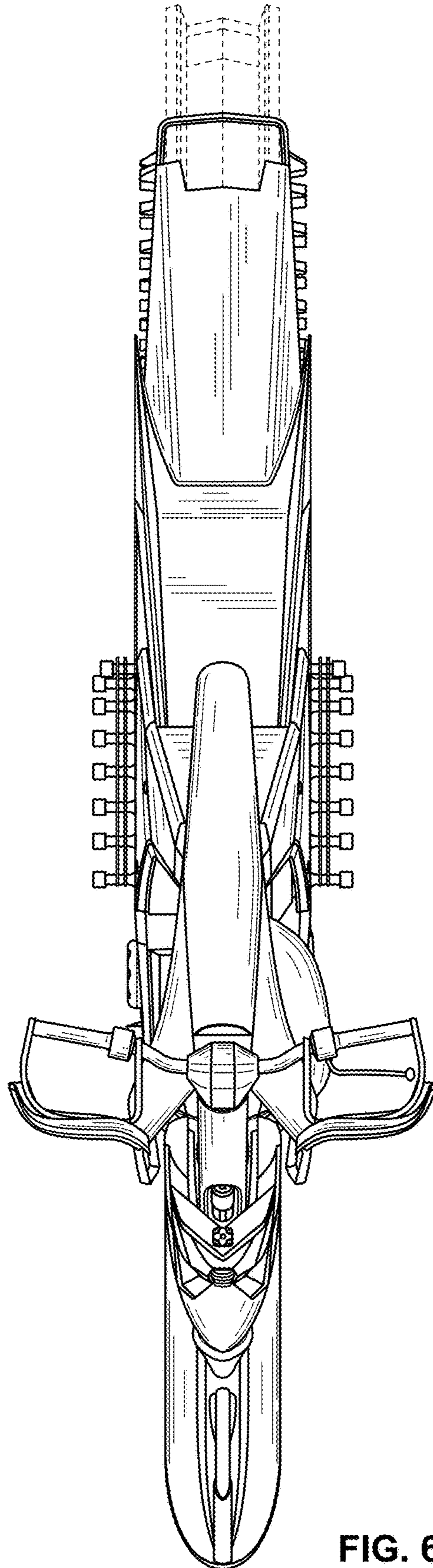


FIG. 6

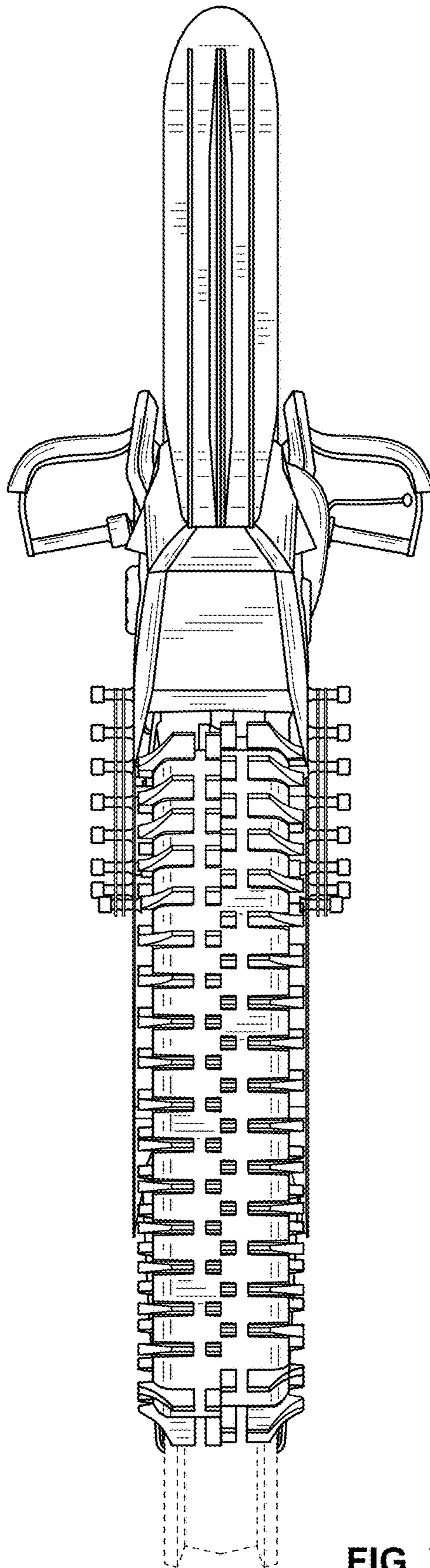


FIG. 7