



US00D813083S

(12) **United States Design Patent**  
**Cohen**

(10) **Patent No.:** **US D813,083 S**  
(45) **Date of Patent:** **\*\* Mar. 20, 2018**

- (54) **ARTICLE OF JEWELRY**
- (71) Applicant: **Lynn R. Cohen**, Farmingdale, NJ (US)
- (72) Inventor: **Lynn R. Cohen**, Farmingdale, NJ (US)
- (\*\*) Term: **15 Years**
- (21) Appl. No.: **29/609,421**
- (22) Filed: **Jun. 30, 2017**
- (51) **LOC (11) Cl.** ..... **11-01**
- (52) **U.S. Cl.**  
USPC ..... **D11/81**; D11/60; D8/348
- (58) **Field of Classification Search**  
USPC ..... D11/60, 61, 1, 2, 7, 40, 41, 44, 48,  
D11/79-86, 95, 96, 97, 88, 100, 108, 109,  
D11/116; 63/13, 14.1, 18-20, 23;  
D3/207-211; D8/347, 348; D32/46  
CPC .. A44C 1/00; A44C 3/00; A44C 3/001; A44C  
3/002; A44C 3/004; A44C 3/005; A44C  
3/006; A44C 3/008; A44C 7/00; A44C  
7/002; A44C 7/003; A44C 7/004; A44C  
25/00; A44C 25/001; A44C 25/002; A44C  
25/007; A44C 11/00  
See application file for complete search history.

D161,883 S *	2/1951	Tashman	.....	D11/79
D163,024 S	4/1951	Chernow		
D186,941 S	12/1959	Boys		
D232,806 S *	9/1974	Schlage	.....	D8/347
D235,189 S *	5/1975	Tachi	.....	D8/347
D238,091 S	12/1975	Harding		
D311,980 S	11/1990	Baker		
5,365,760 A	11/1994	Song		
6,092,405 A	7/2000	Berwick		
D439,401 S	3/2001	Johnson		
D478,207 S	8/2003	Johnson		
D485,505 S	1/2004	Cohen		
D529,370 S *	10/2006	Parsons	.....	D8/347
D532,285 S *	11/2006	Daugherty	.....	D8/347
D566,524 S *	4/2008	Daas	.....	D8/347
D605,495 S *	12/2009	Elhaj	.....	D8/347
D626,448 S *	11/2010	Marks	.....	D11/60
D635,048 S *	3/2011	Marks	.....	D11/60

\* cited by examiner

*Primary Examiner* — Melanie Pellegrini  
(74) *Attorney, Agent, or Firm* — Lerner, David,  
Littenberg, Krumholz & Mentlik, LLP

(57) **CLAIM**

The ornamental design for an article of jewelry, as shown and described.

**DESCRIPTION**

FIG. 1 is a perspective view of an article of jewelry showing my new design;  
FIG. 2 is a front elevational view thereof;  
FIG. 3 is a rear elevational view thereof;  
FIG. 4 is a left-side elevational view thereof;  
FIG. 5 is a right-side elevational view thereof;  
FIG. 6 is a top plan view thereof; and,  
FIG. 7 is a bottom plan view thereof.  
The broken lines shown in the drawings represent portions of the article of jewelry which form no part of the claimed design.

**1 Claim, 1 Drawing Sheet**

(56) **References Cited**

U.S. PATENT DOCUMENTS

D3,808 S *	12/1869	Parker	.....	D8/347
D3,918 S *	3/1870	Manga	.....	D8/347
D12,050 S	12/1880	Barkentin		
D36,741 S *	1/1904	Caley	.....	D8/347
D39,647 S *	10/1908	Johnson	.....	D8/347
D39,867 S	3/1909	Willis		
D42,094 S *	1/1912	Stone	.....	D8/347
1,868,563 A	7/1932	Cicourel		
D112,050 S *	11/1938	Bohland	.....	D11/100
D148,569 S *	2/1948	Philippe	.....	D11/60
D155,297 S *	9/1949	Kushner	.....	D11/60

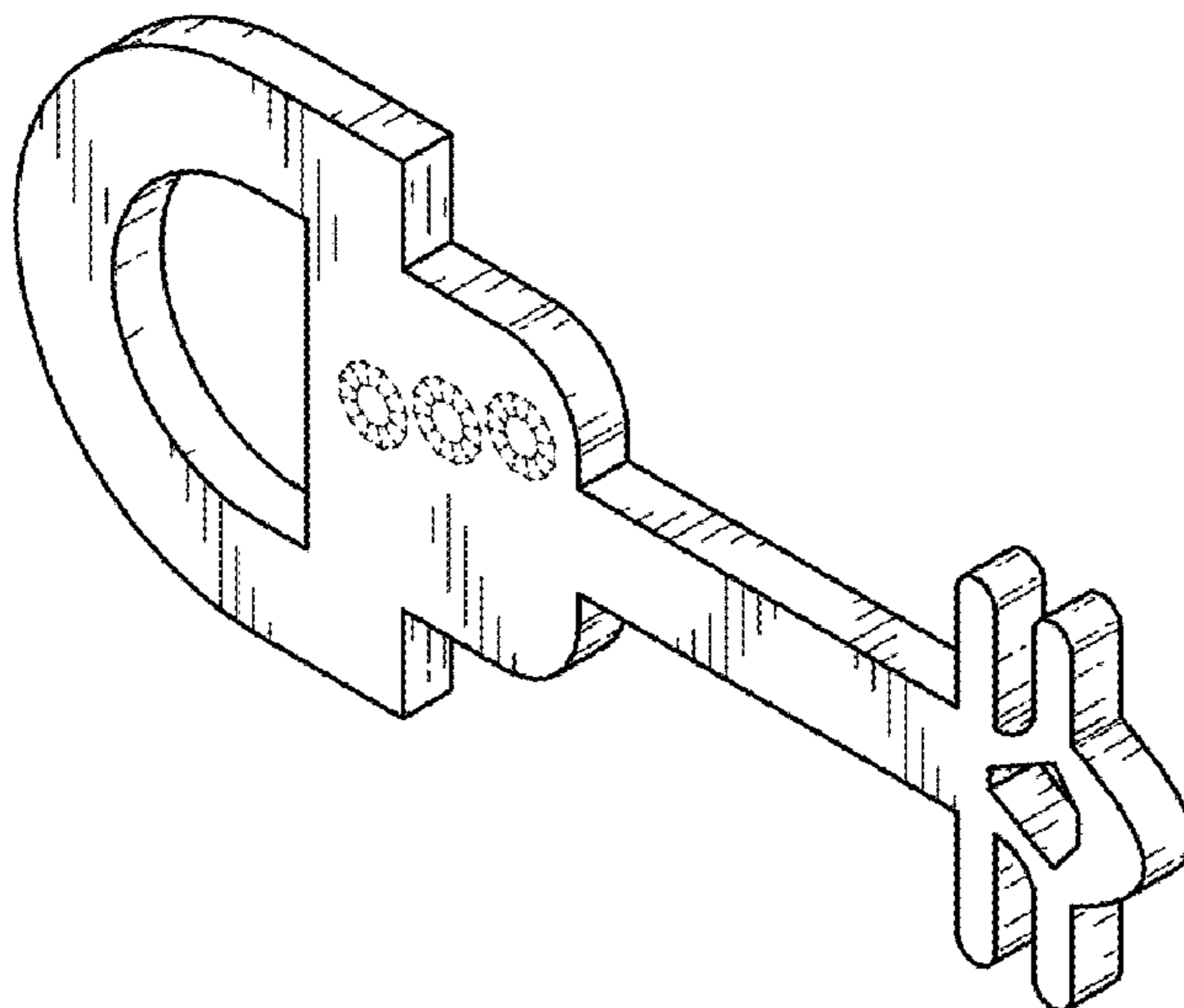


FIG. 1

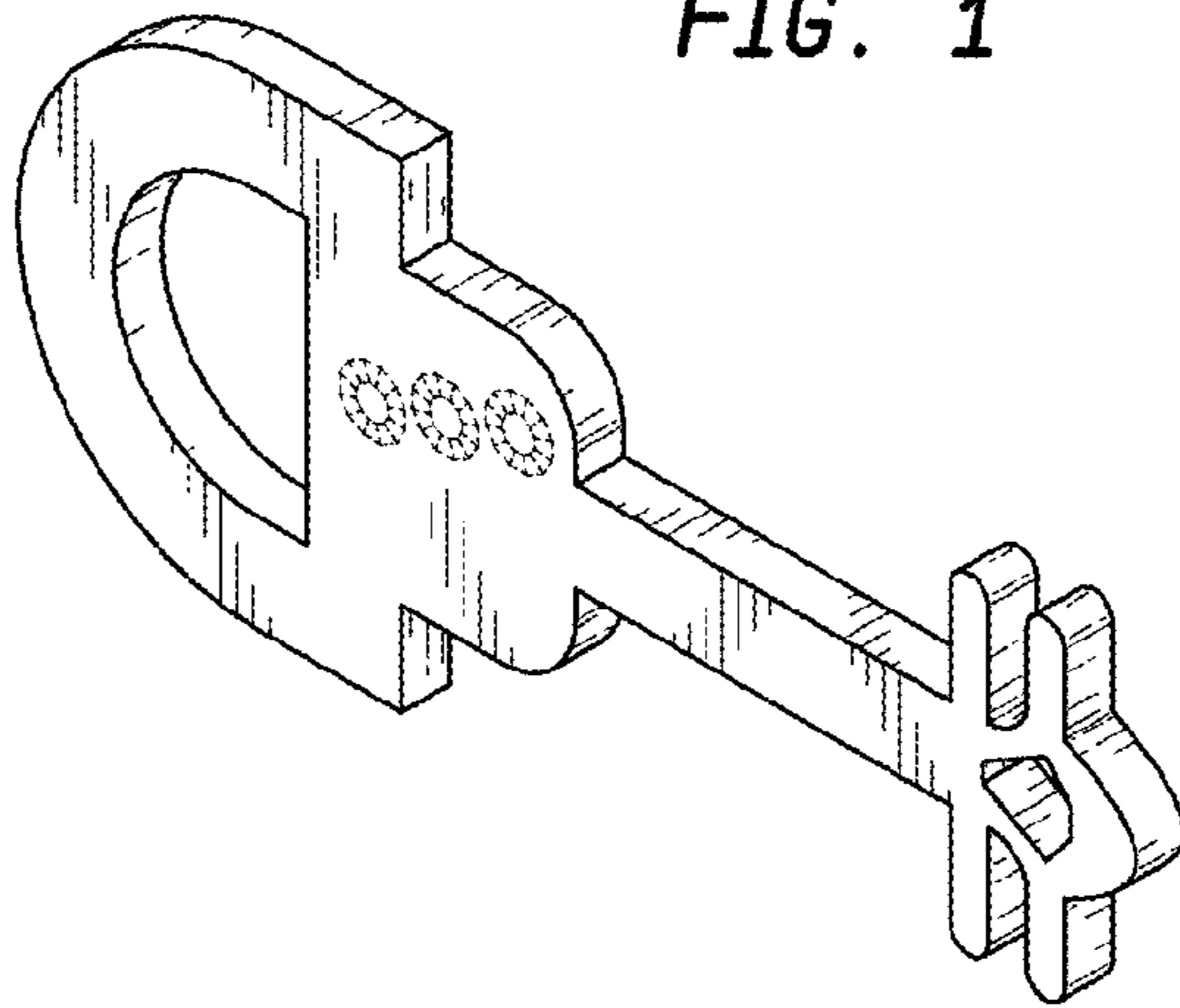


FIG. 2

FIG. 3

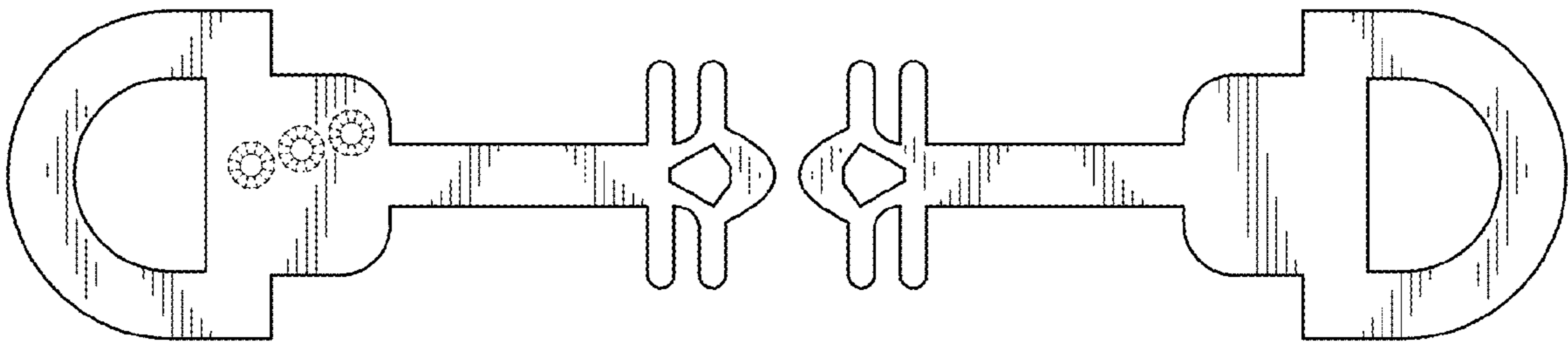


FIG. 4

FIG. 5

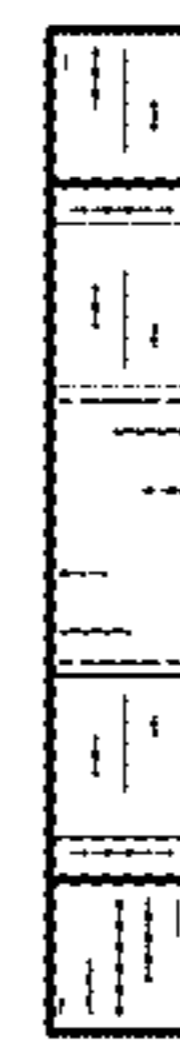


FIG. 6



FIG. 7

