



US00D813082S

(12) **United States Design Patent**
Riviere

(10) **Patent No.:** **US D813,082 S**
(45) **Date of Patent:** **** Mar. 20, 2018**

(54) **CHARM**
(71) Applicant: **HARRY WINSTON SA,**
Plan-les-Ouates (CH)
(72) Inventor: **Dominique Riviere,** New York, NY
(US)
(73) Assignee: **Harry Winston SA,** Plan-les-Ouates
(CH)
(**) Term: **15 Years**

D40,134 S * 7/1909 Lanphear D11/108
1,332,206 A * 3/1920 Dinhofer A44C 17/02
63/28
D70,034 S * 4/1926 Sipes D11/70
2,153,157 A * 4/1939 Priesmeyer A44C 3/001
24/103
D127,108 S * 5/1941 Foret D11/108
D129,185 S * 8/1941 Philippe D11/70
D147,326 S * 8/1947 Gargano D11/70
D156,220 S * 11/1949 Di Cicco D11/44
D159,846 S * 8/1950 Philippe D11/70
D160,361 S * 10/1950 Boucher D11/70

(Continued)

(21) Appl. No.: **29/604,850**

(22) Filed: **May 22, 2017**

(30) **Foreign Application Priority Data**

Nov. 21, 2016 (WO) DM/093 557

(51) **LOC (11) Cl.** **11-01**

(52) **U.S. Cl.**
USPC **D11/81; D11/70**

(58) **Field of Classification Search**

USPC D11/1, 2, 40-44, 79-86, 70, 49, 50, 53,
D11/57, 66, 67, 75, 76, 77, 95, 97, 98,
D11/99, 100, 101, 105, 106, 121, 125,
D11/127, 128, 91, 92, 7, 8, 108, 124
CPC .. A44C 1/00; A44C 3/00; A44C 3/001; A44C
3/002; A44C 3/004; A44C 3/005; A44C
3/007; A44C 3/008; A44C 7/00; A44C
7/001; A44C 7/002; A44C 7/003; A44C
7/004; A44C 21/00; A44C 23/00; A44C
25/00; A44C 25/001; A44C 25/002; A44C
25/004; A44C 25/005; A44C 25/007;
A44C 25/008; A44C 17/02; A44C
17/0208

See application file for complete search history.

(56) **References Cited**

U.S. PATENT DOCUMENTS

D14,583 S * 1/1884 Marcus D11/70
D38,645 S * 7/1907 Lanphear D11/108

OTHER PUBLICATIONS

[Online] http://vs-images.johngreedjewellery.com/images/thomas-sabo-silver-and-diamond-star-charm-dc0009-153-14-p27552-170538_image.jpg. Retrieved Jan. 20, 2018.*

(Continued)

Primary Examiner — Melanie Pellegrini

(74) *Attorney, Agent, or Firm* — Blank Rome LLP

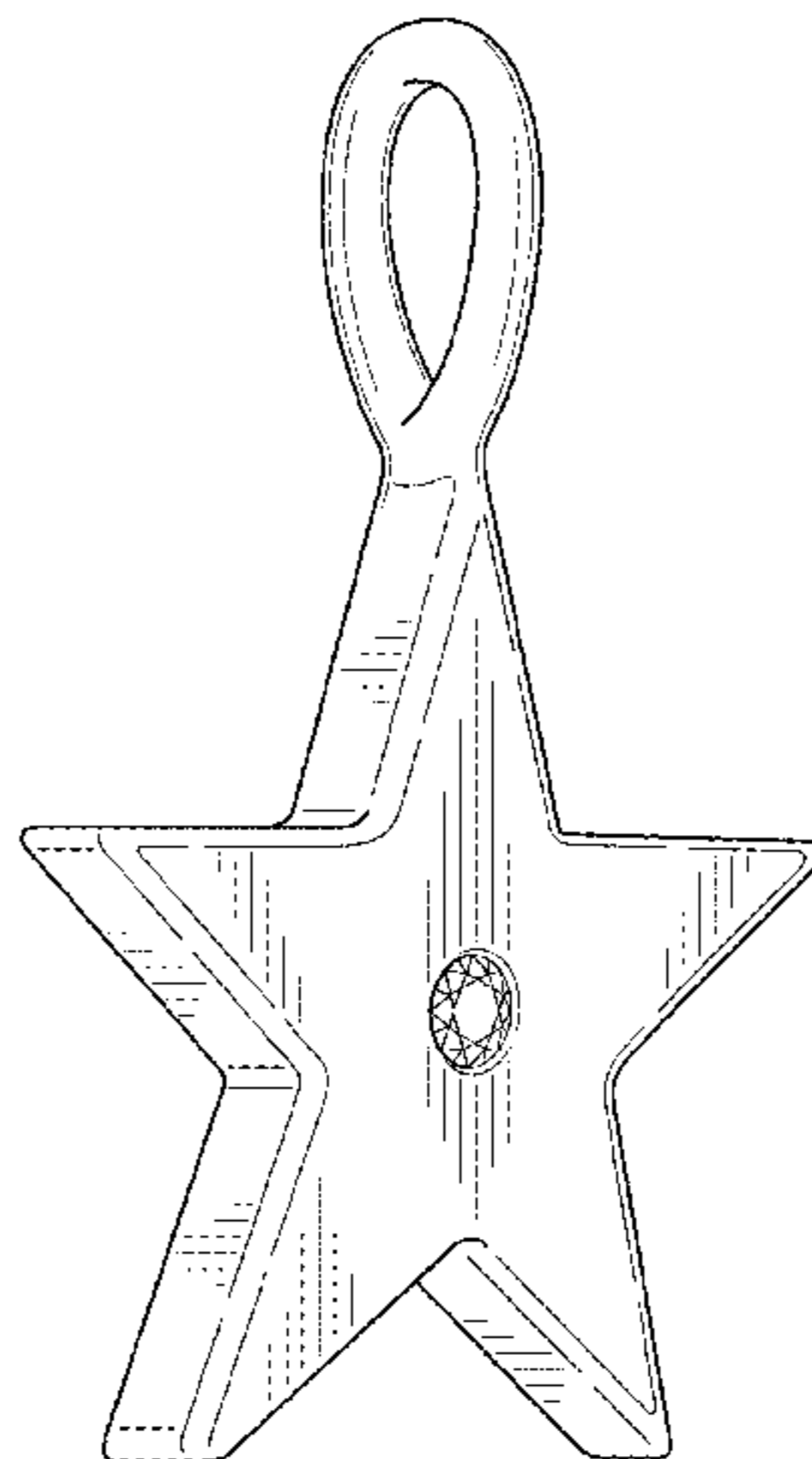
(57) **CLAIM**

The ornamental design for a charm, as shown.

DESCRIPTION

FIG. 1 is a front right perspective view of a charm showing my new design;
FIG. 2 is a front view thereof;
FIG. 3 is a rear view thereof;
FIG. 4 is a left side view thereof;
FIG. 5 is a right side view thereof;
FIG. 6 is a top view thereof;
FIG. 7 is a bottom view thereof; and,
FIG. 8 is a rear left perspective view thereof.

1 Claim, 4 Drawing Sheets



(56)

References Cited

U.S. PATENT DOCUMENTS

2,667,004 A * 1/1954 Sanson A44C 1/00
2/239
D178,694 S * 9/1956 Pope D11/70
D212,805 S * 11/1968 Maranduzzo D11/124
3,708,804 A * 1/1973 Santos A41D 27/08
2/244
5,146,768 A * 9/1992 Dichtel A44C 7/005
63/14.2
5,685,174 A * 11/1997 Balzer A44B 17/0082
24/578.12
D405,716 S * 2/1999 Doughty D11/121
D405,717 S * 2/1999 Doughty D11/121
5,896,184 A * 4/1999 Lowe A44C 25/00
351/52
D495,117 S * 8/2004 Dustin D11/121
D620,834 S * 8/2010 Deruelles D11/70
7,793,518 B1 * 9/2010 Holleman A41F 19/00
2/1
2002/0178751 A1 * 12/2002 Malek A44C 9/00
63/26
2004/0020243 A1 * 2/2004 Molino A44C 15/001
63/31

OTHER PUBLICATIONS

[Online] http://www.nainakids.com/images/products/new_images/13.jpg. Retrieved Jan. 20, 2018.*
[Online] https://www.fruugo.us/d-for-diamond-girls-sterling-silver-genuine-diamond-pink-star-charm-bangle/p-4462551-10177283?gclid=CjwKCAiA7ovTBRAQEiwAo8dPcYkljzd5CDeHR_0qPforCwj7Z3RhNZDETu7KJgZZI5hoM1qVFVXNgRoCtfcQAvD_BwE. Retrieved Jan. 20, 2018.*
[Online] <https://www.bernierobbins.com/content/slides/IIIa-Pendant-Necklace-1.png>. Retrieved Jan. 20, 2018.*
[Online] <https://i.pinimg.com/originals/a7/78/7c/a7787c7e760b5414271378f32f738eed.jpg>. Retrieved Jan. 20, 2018.*

* cited by examiner

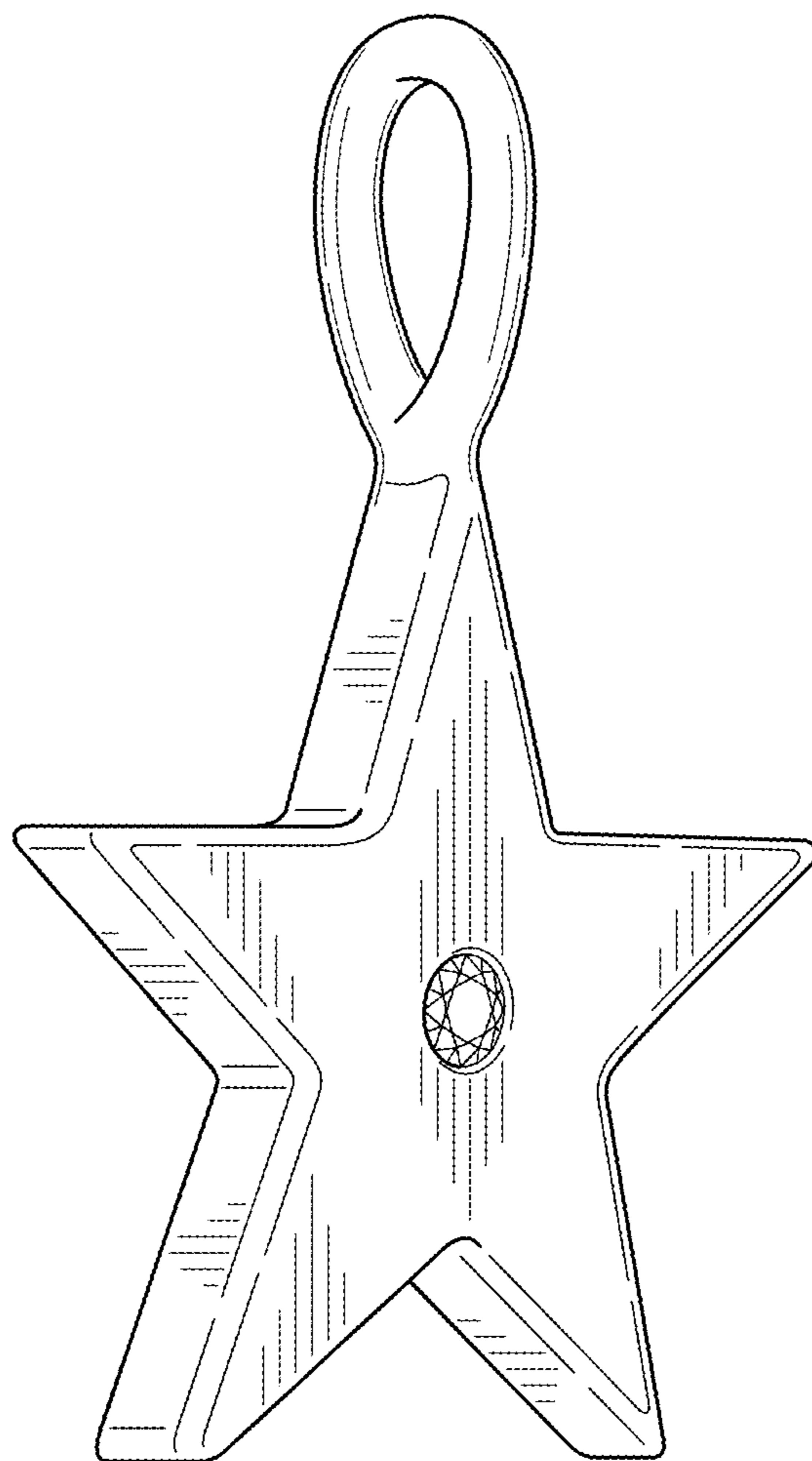


FIG. 1

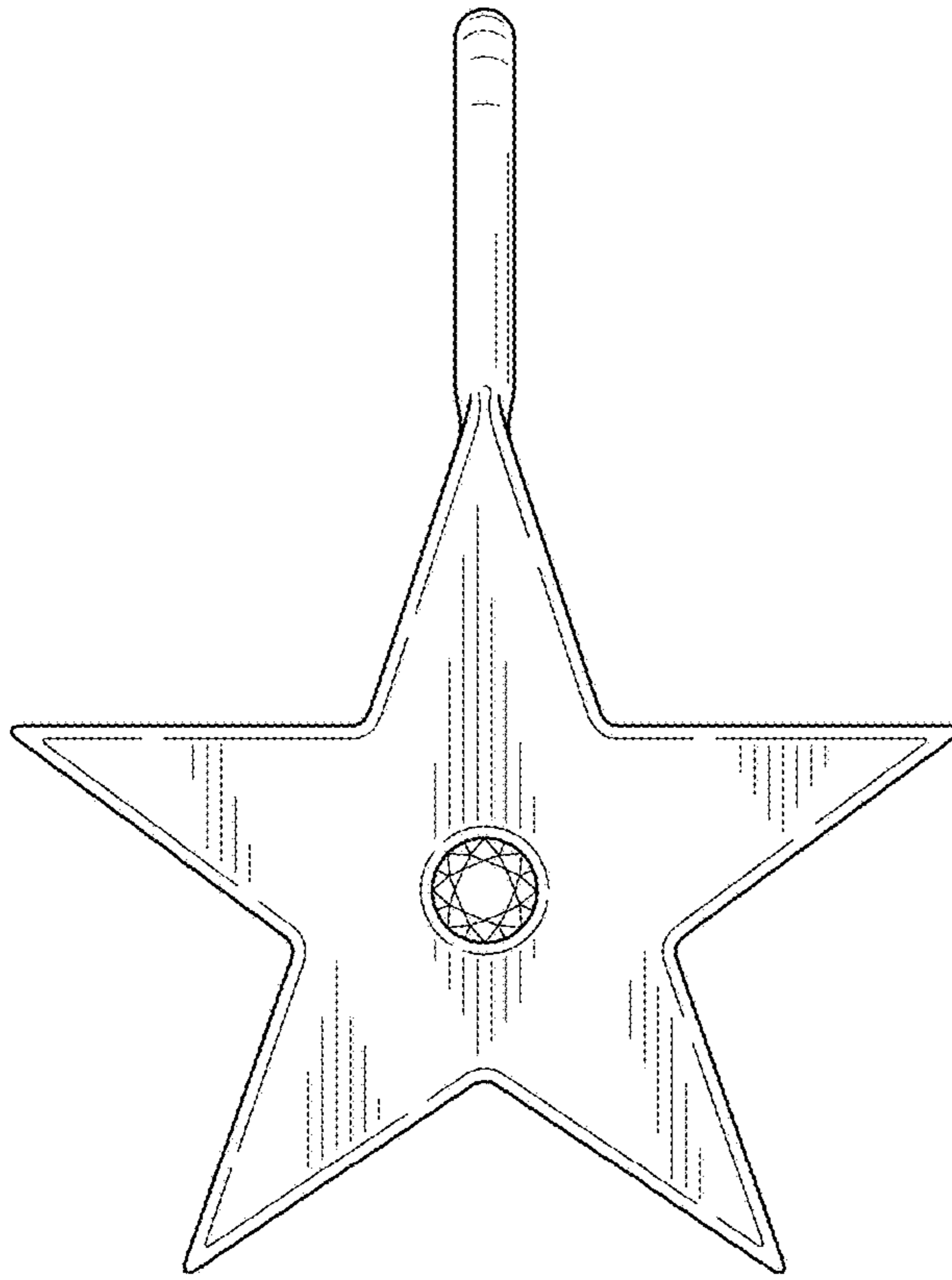


FIG. 2

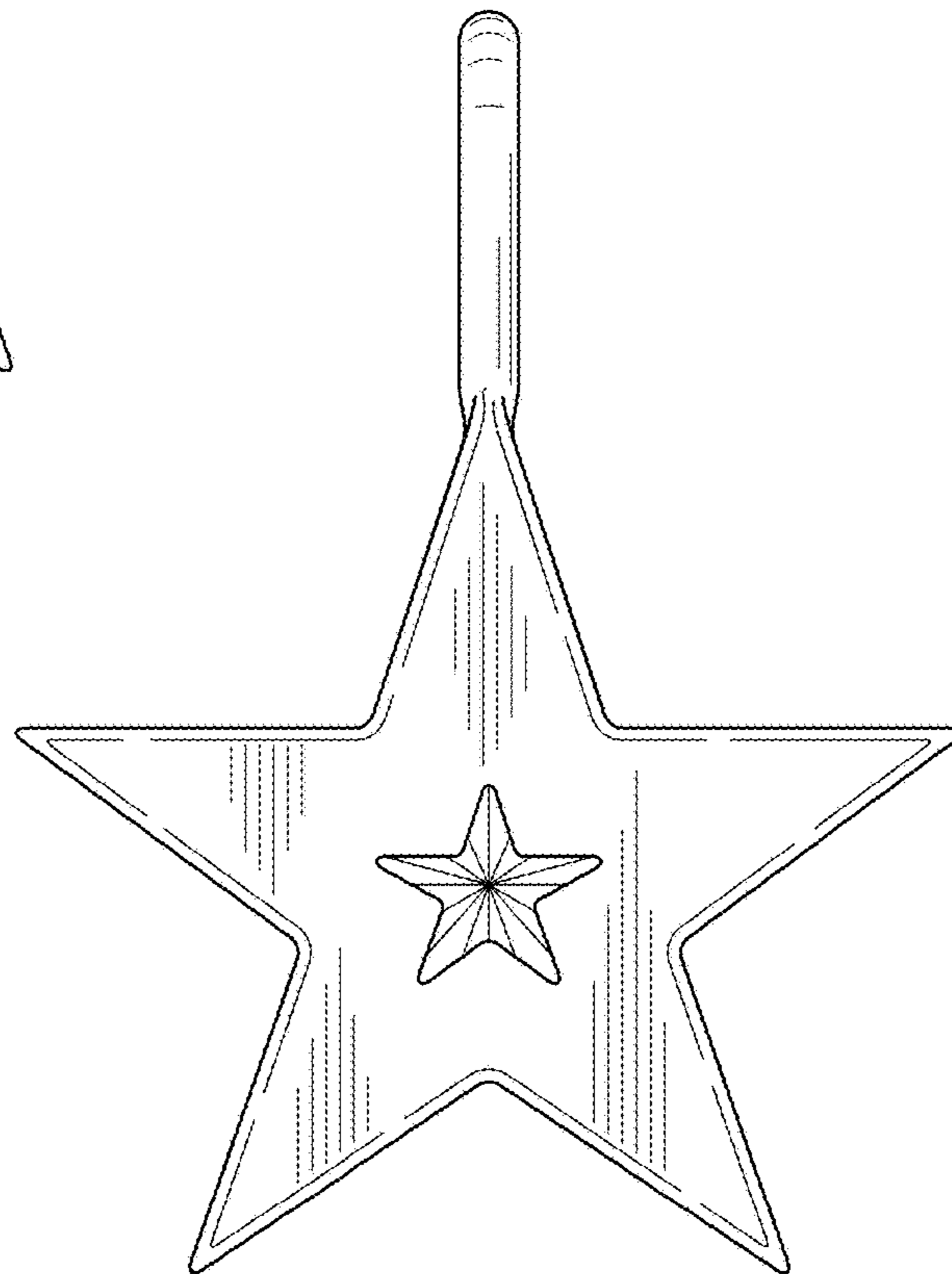


FIG. 3

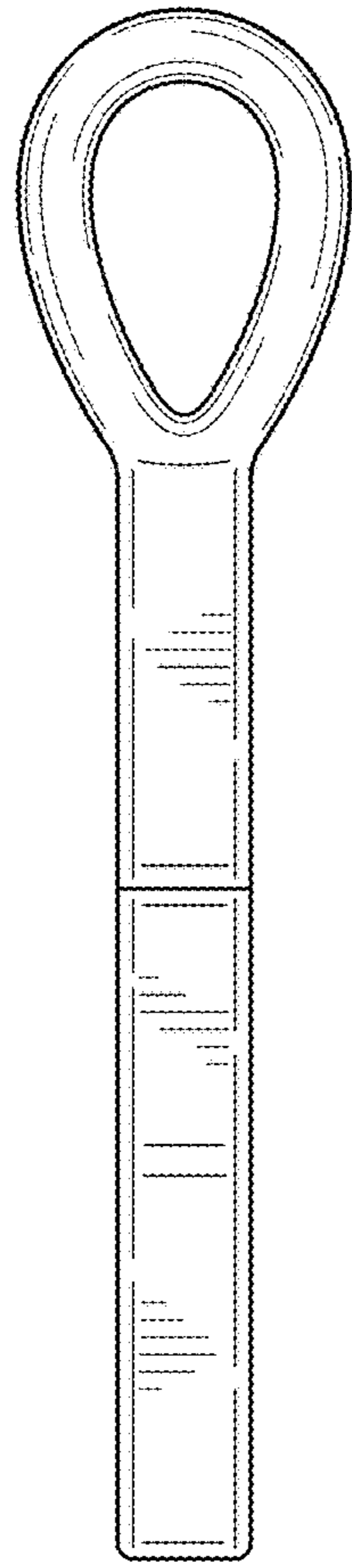


FIG. 4

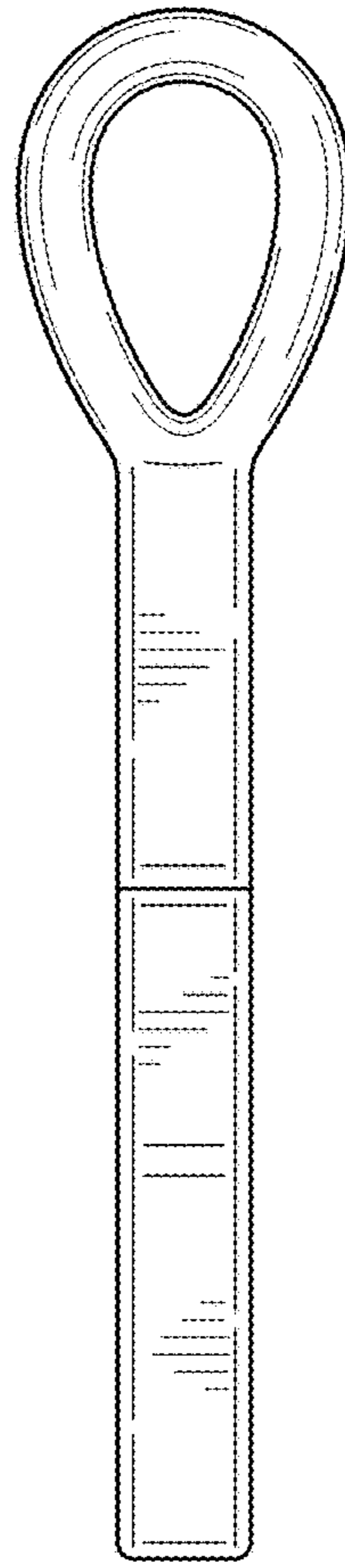


FIG. 5

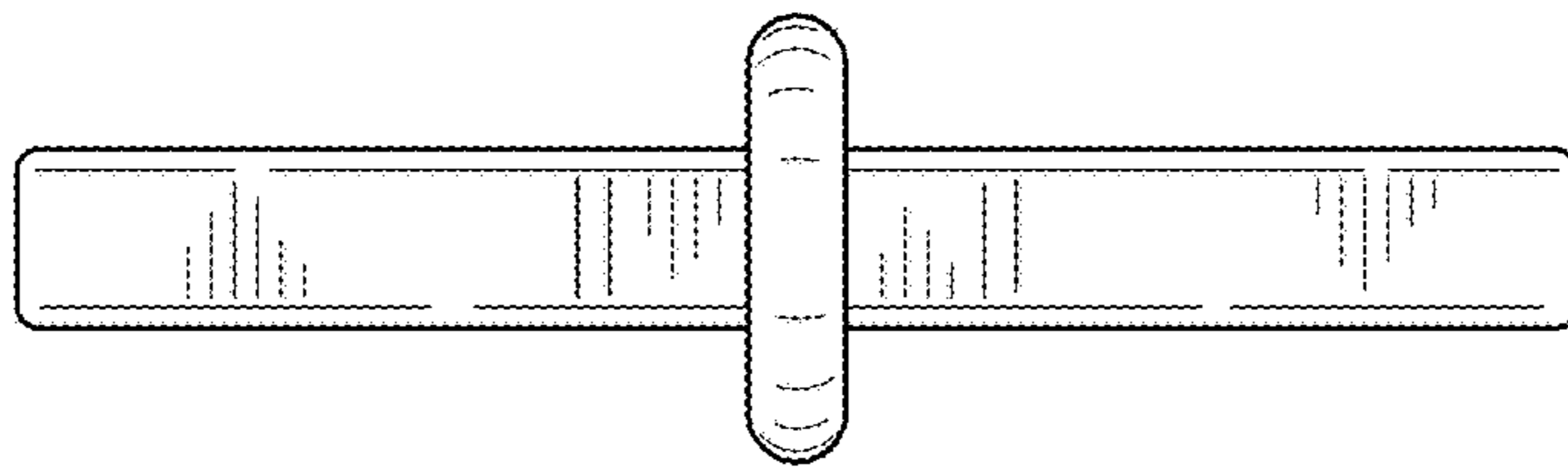


FIG. 6

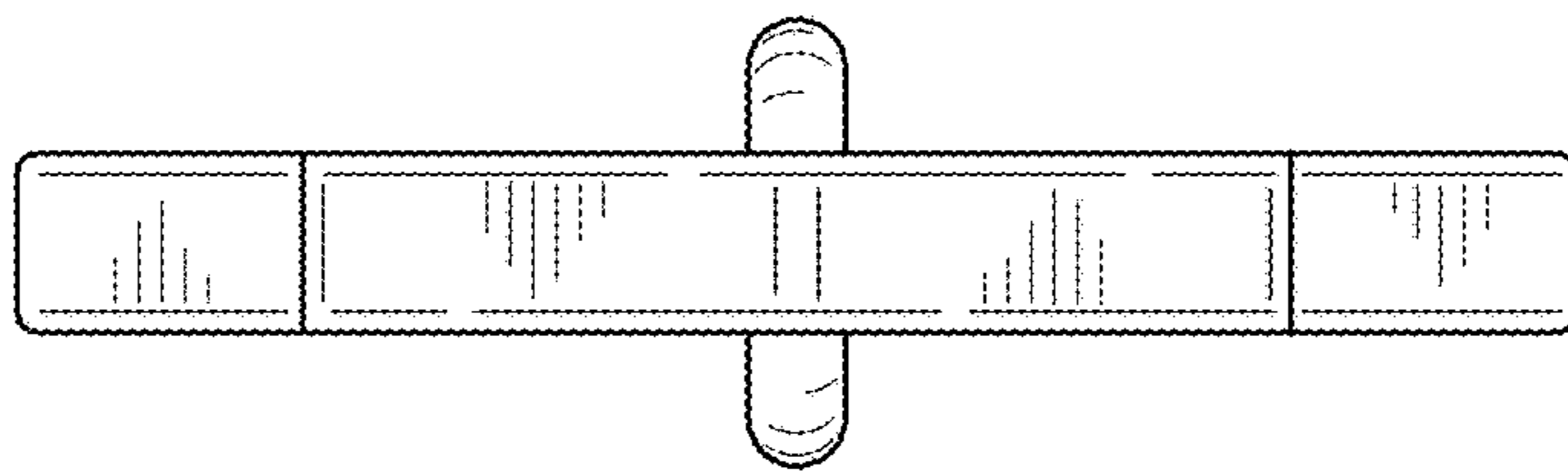


FIG. 7

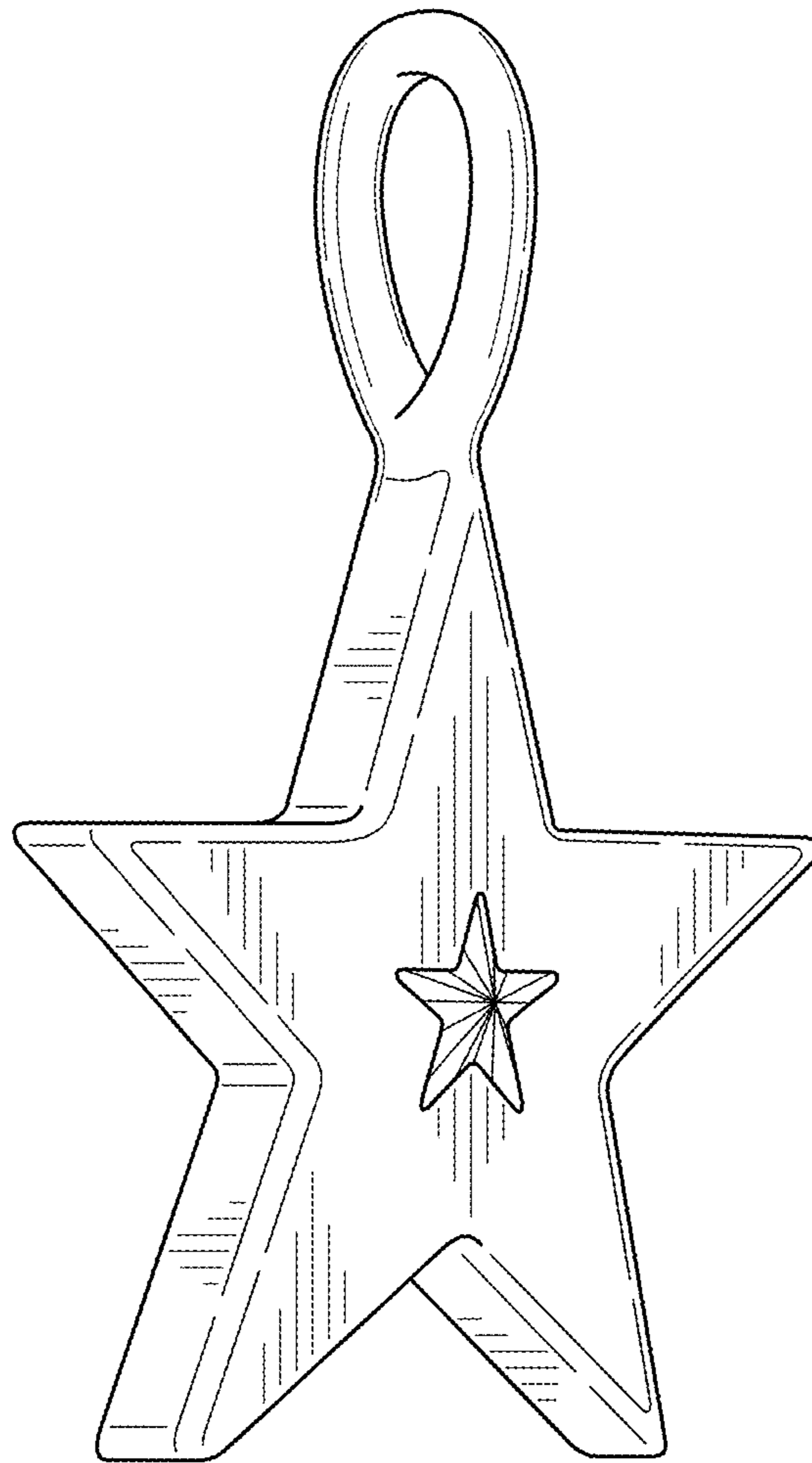


FIG. 8