



US00D813075S

(12) **United States Design Patent** (10) **Patent No.:** **US D813,075 S**
Zagami et al. (45) **Date of Patent:** **** Mar. 20, 2018**

(54) **BRACELET**

(71) Applicant: **Ralph Lauren Watch and Jewelry Company Sarl**, Plan-les-Ouates (CH)

(72) Inventors: **John Zagami**, Montclair, NJ (US);
Elodie Jeannet, Bienne (CH)

(73) Assignee: **Ralph Lauren Watch and Jewelry Company Sarl**, Plan-les-Ouates (CH)

(**) Term: **15 Years**

(21) Appl. No.: **29/598,801**

(22) Filed: **Mar. 29, 2017**

(30) **Foreign Application Priority Data**

Sep. 30, 2016 (WO) 968893801

(51) **LOC (11) Cl.** **11-01**

(52) **U.S. Cl.**
USPC **D11/4**

(58) **Field of Classification Search**

USPC D11/1-40
 CPC ... A44C 5/0007; A44C 5/0015; A44C 5/0023;
 A44C 5/003; A44C 5/0038; A44C
 5/0053; A44C 5/0061; A44C 5/0069;
 A44C 5/0084; A44C 5/0092; A44C 5/02;
 A44C 5/022; A44C 5/025; A44C 5/04;
 A44C 5/10; A44C 5/102; A44C 5/105;
 A44C 5/107; A44C 5/12; A44C 5/14;
 A44C 5/142; A44C 5/18; A44C 5/185;
 A44C 5/20; A44C 5/22; A44C 5/2009;
 A44C 5/2023; A44C 9/00; A44C 9/0038;
 A44C 9/0046; A44C 9/0069; A44C
 9/0084; A44C 9/02; A44C 17/00; A44C
 17/003; A44C 17/007; A44C 17/02; A44C
 25/00; A44C 25/001; A44C 25/002; A44C
 25/004; A44C 25/005; A44C 25/007

See application file for complete search history.

(56) **References Cited**

U.S. PATENT DOCUMENTS

D146,474 S *	3/1947	Krutz	D11/4
D146,475 S *	3/1947	Krutz	D11/4
D146,476 S *	3/1947	Krutz	D11/4
D146,477 S *	3/1947	Krutz	D11/4
D146,478 S *	3/1947	Krutz	D11/4
D146,479 S *	3/1947	Krutz	D11/4
D146,480 S *	3/1947	Krutz	D11/4
D250,005 S *	10/1978	Christoffersen	D11/30
D378,944 S *	4/1997	Yan	D11/39
D512,337 S *	12/2005	Della Valle	D11/4
D512,932 S *	12/2005	Della Valle	D11/4
D514,467 S *	2/2006	Della Valle	D11/4
D565,448 S *	4/2008	Prak	D11/4
D614,527 S *	4/2010	Vagal	D11/34
D621,738 S *	8/2010	Djordjevic	D11/38
D625,642 S *	10/2010	Djordjevic	D11/38
D641,650 S *	7/2011	Bodino	D11/35

(Continued)

Primary Examiner — Cynthia Ramirez

Assistant Examiner — L. Martinez-Rivera

(74) *Attorney, Agent, or Firm* — Taft Stettinius & Hollister LLP

(57) **CLAIM**

The ornamental design of a bracelet, as shown and described.

DESCRIPTION

FIG. 1 is a top plan view of a bracelet showing our new design;

FIG. 2 is a bottom plan view thereof;

FIG. 3 is a left side elevational view thereof;

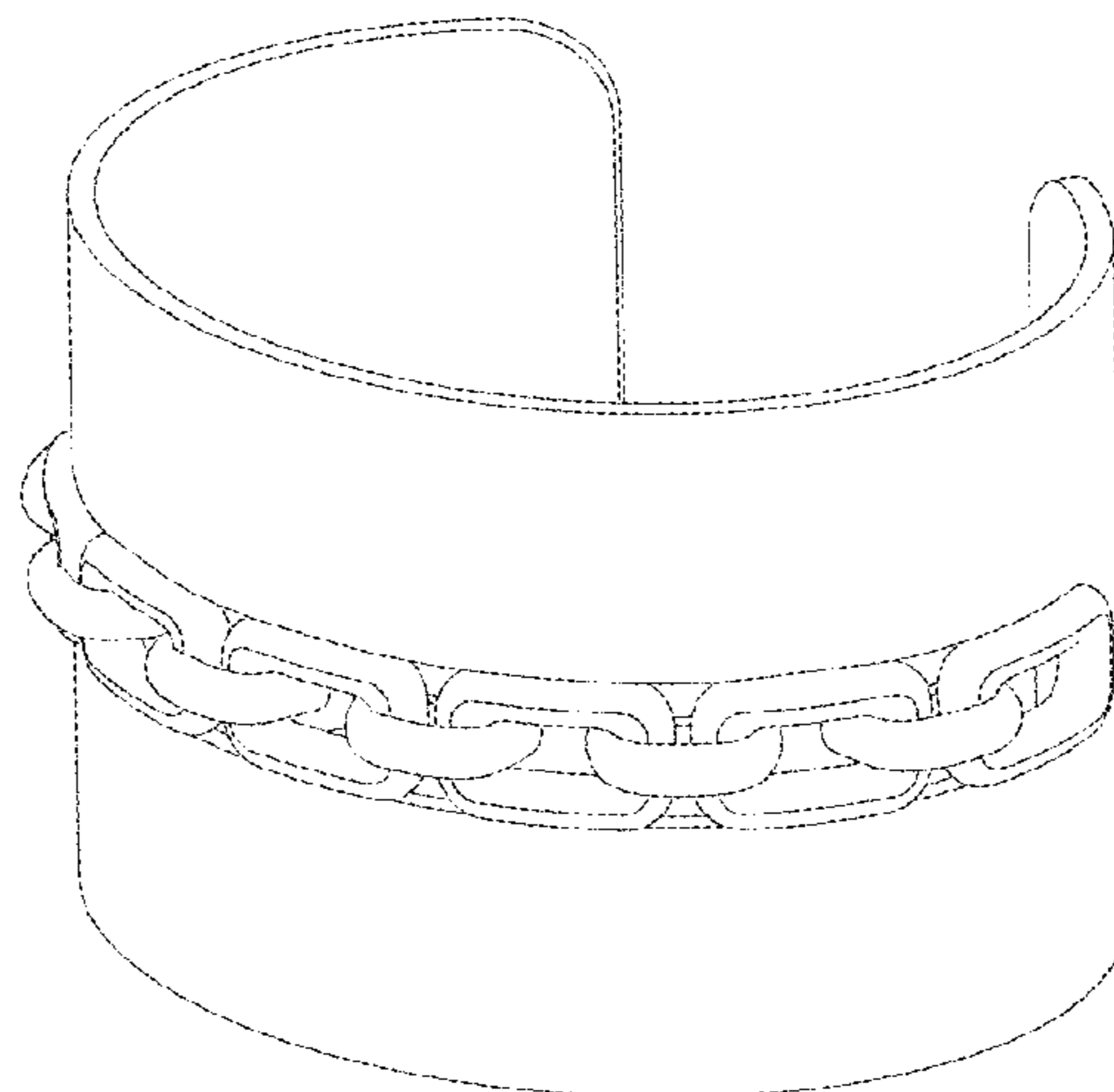
FIG. 4 is a right side elevational view thereof;

FIG. 5 is a front elevational view thereof;

FIG. 6 is a back elevational view thereof; and,

FIG. 7 is a top, right side perspective view thereof.

1 Claim, 2 Drawing Sheets



(56)

References Cited

U.S. PATENT DOCUMENTS

D642,490 S * 8/2011 Bodino D11/35
D648,646 S * 11/2011 Bodino D11/3

* cited by examiner

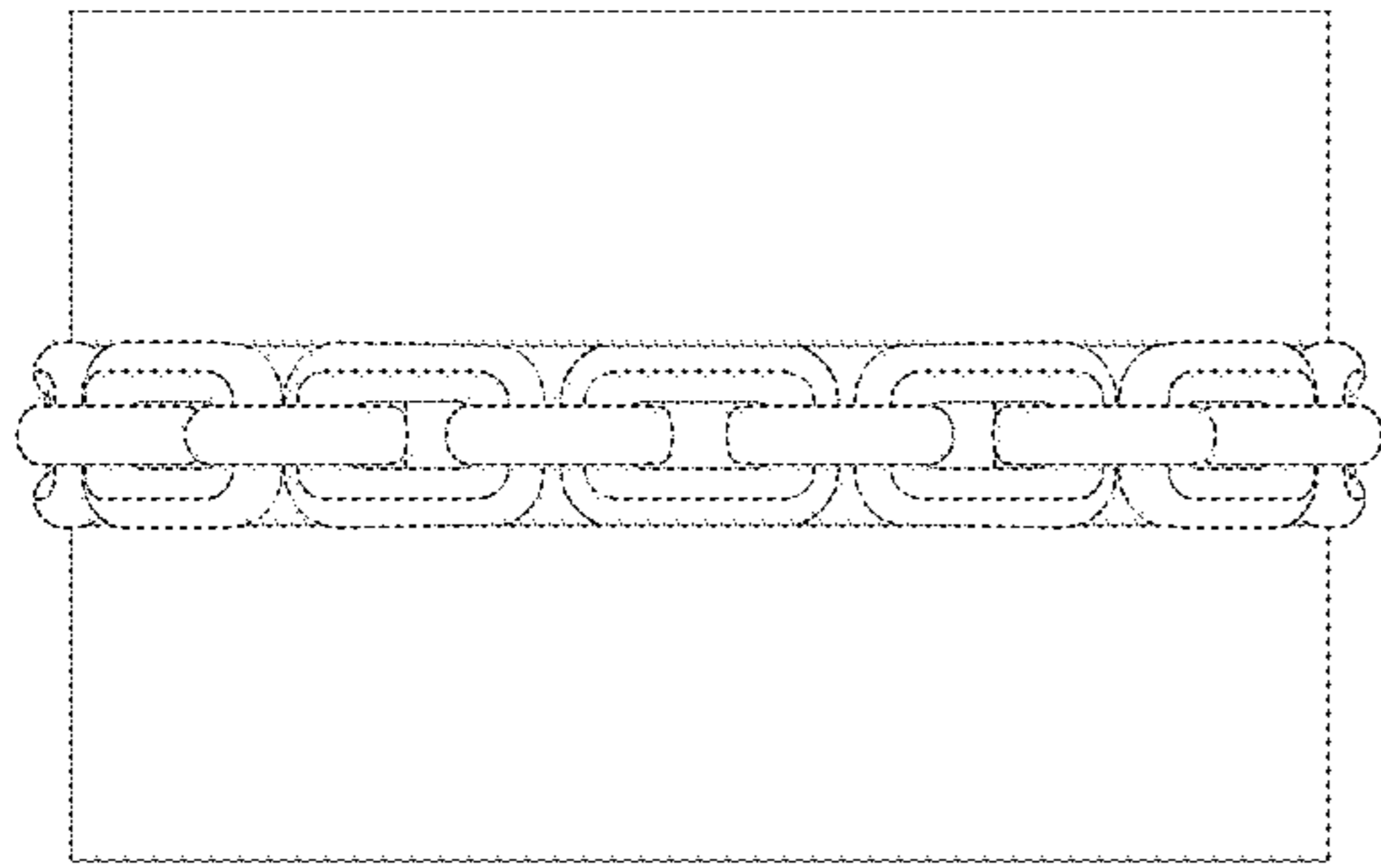


Fig. 1

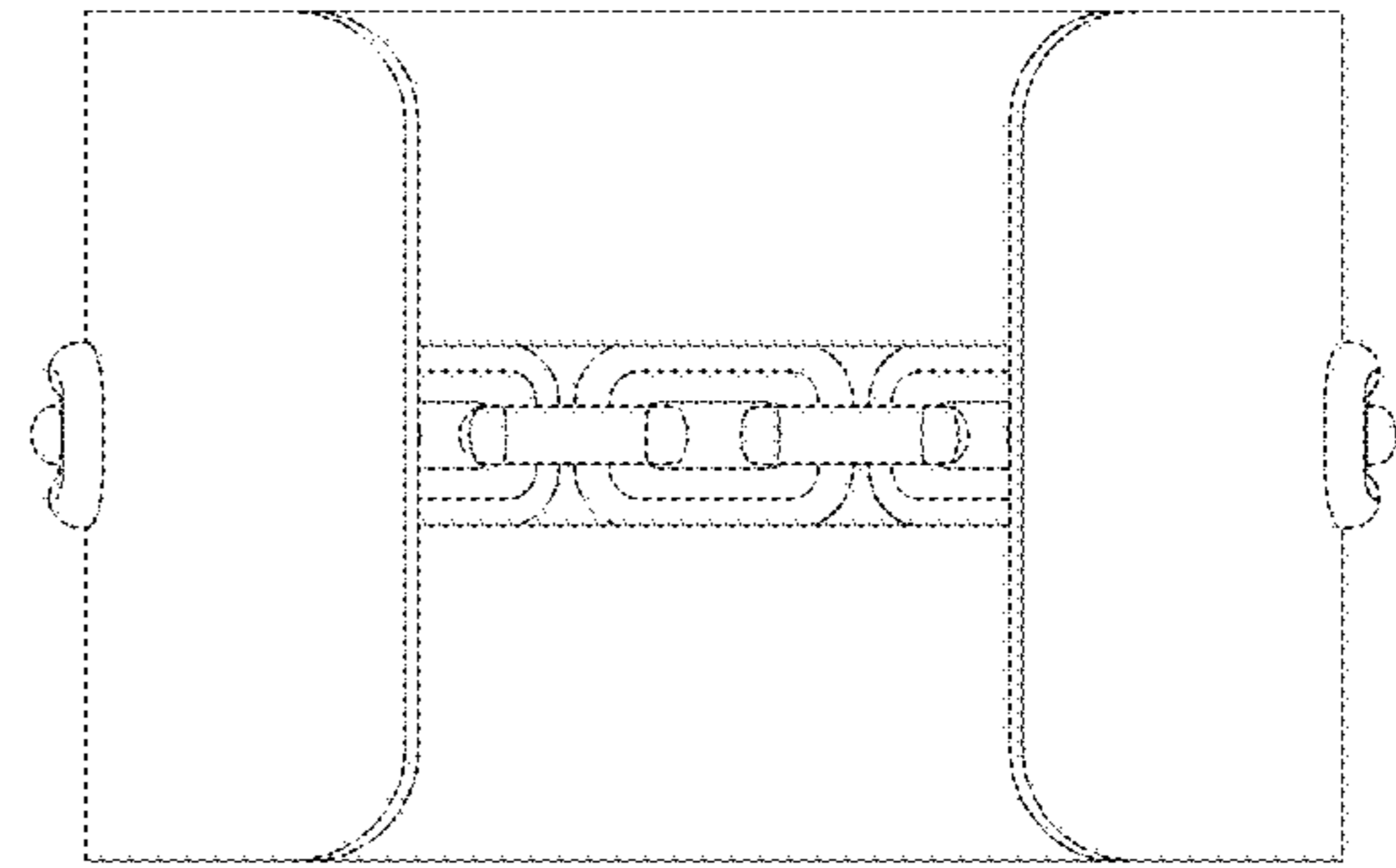


Fig. 2

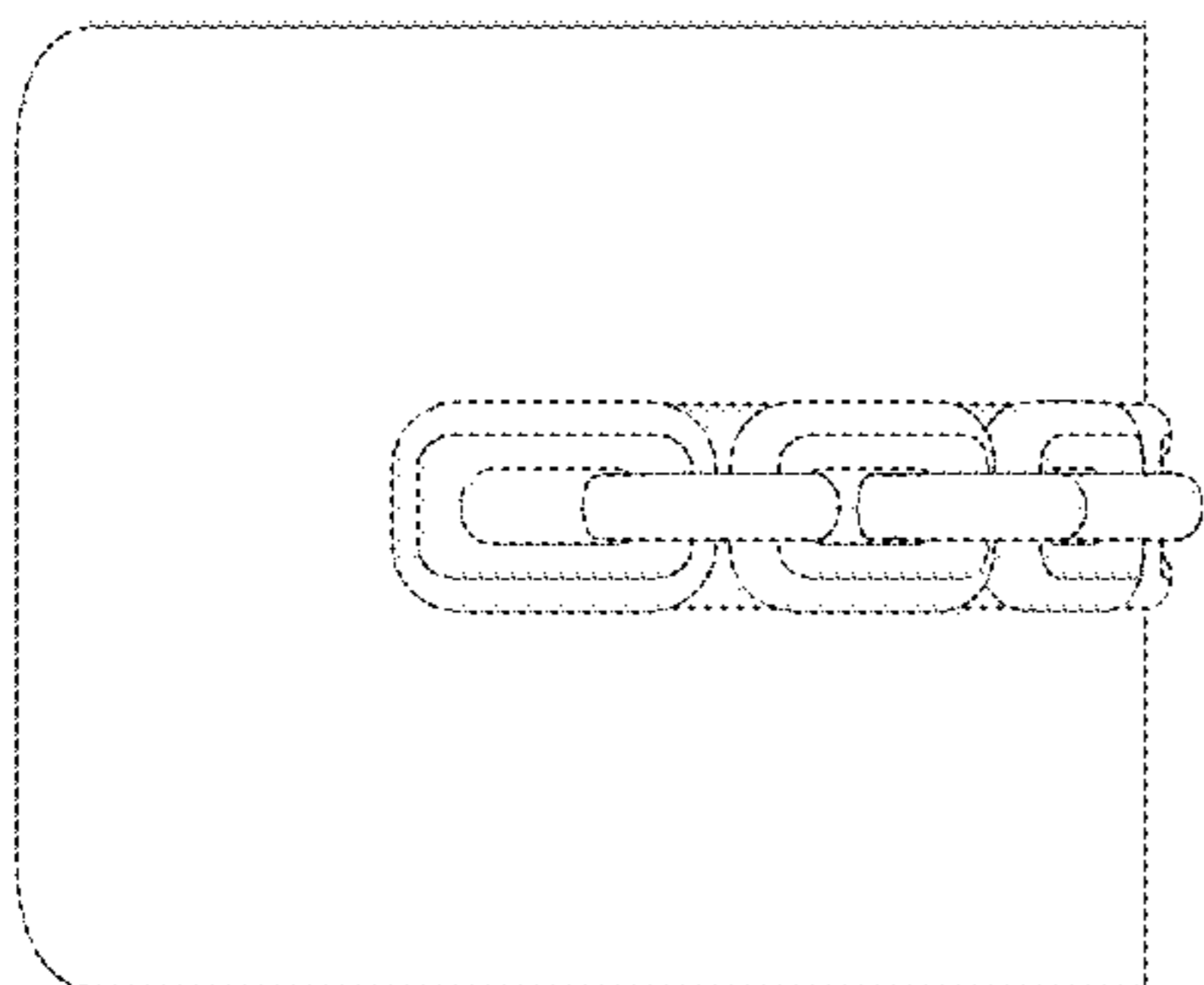


Fig. 3

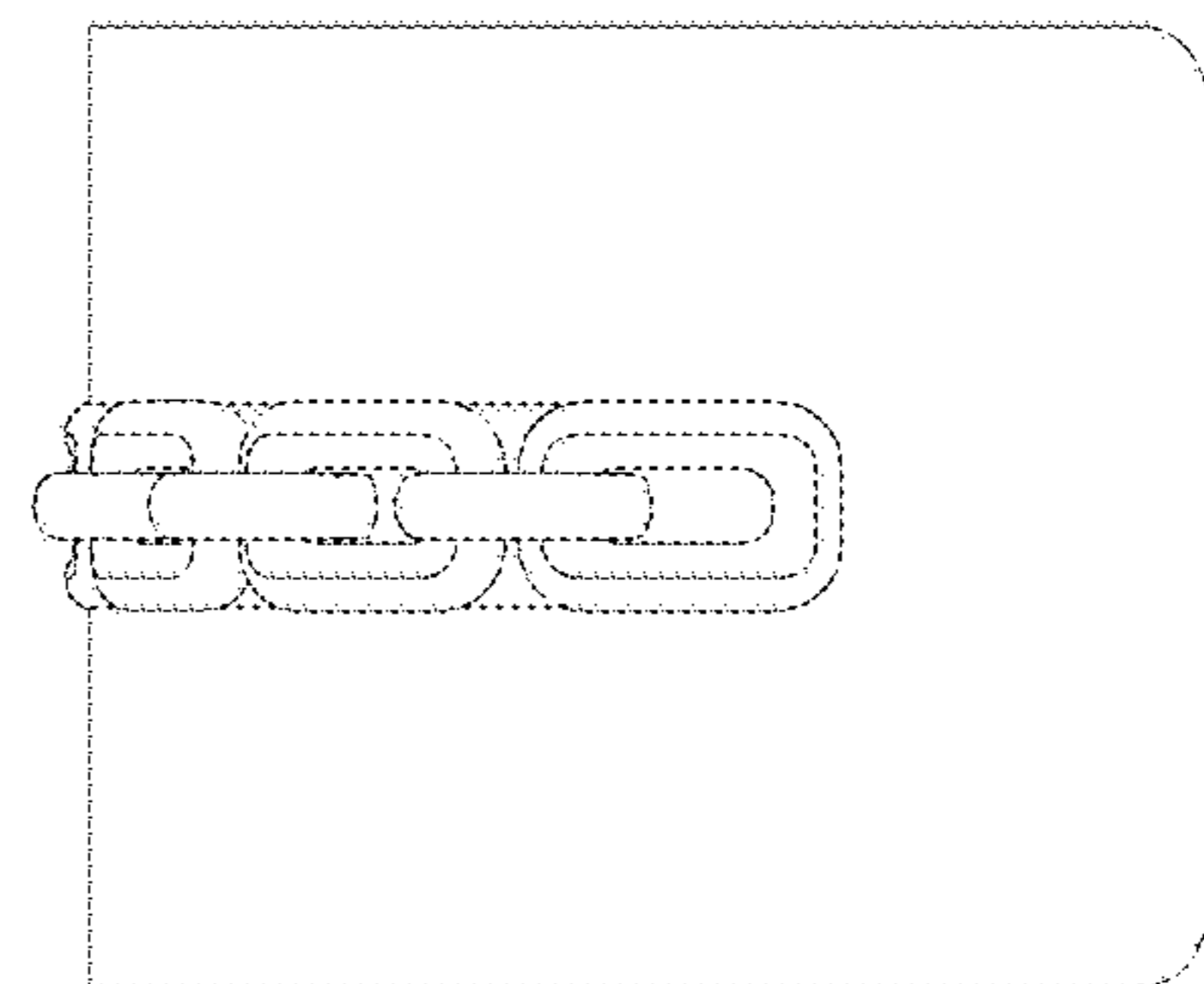


Fig. 4

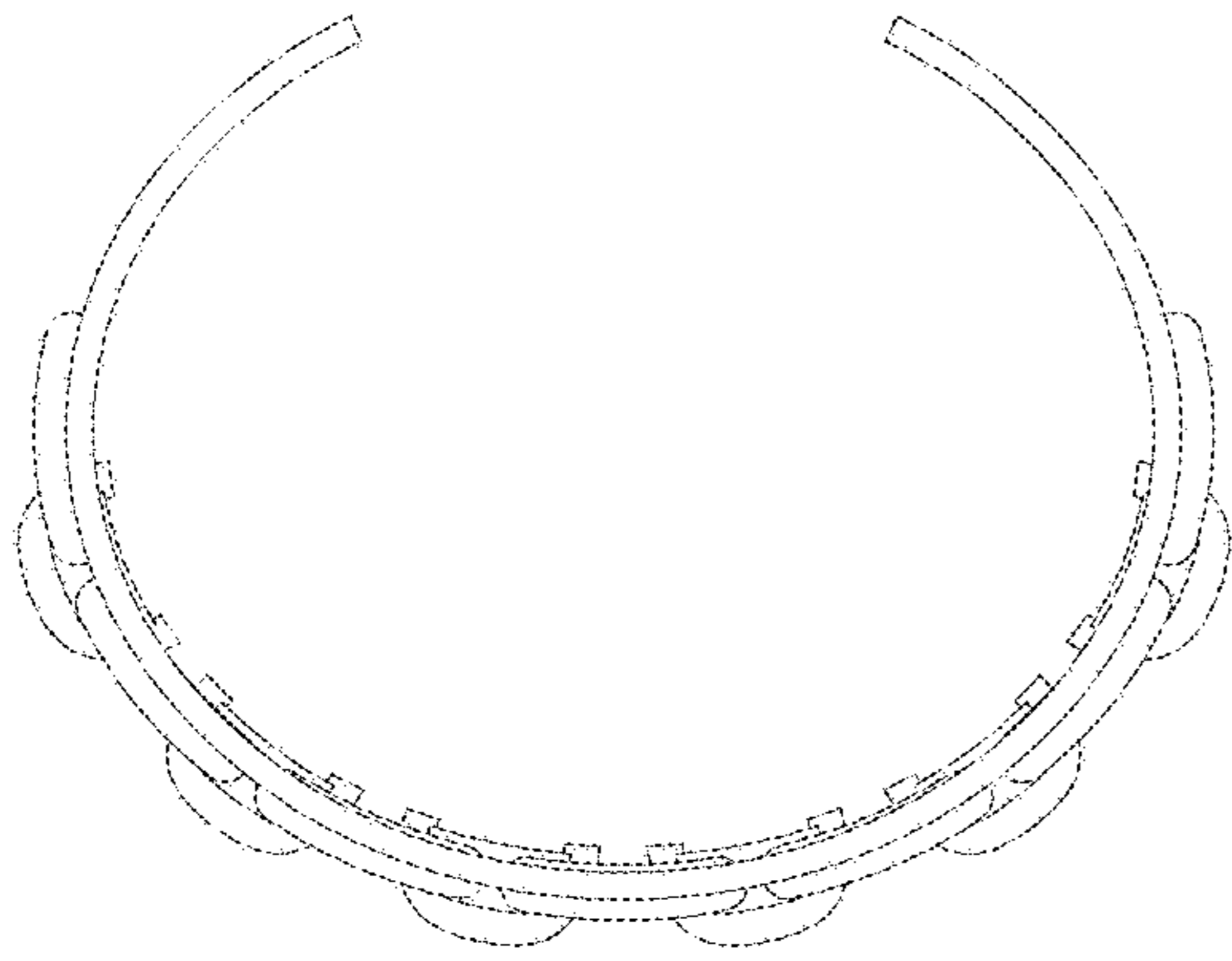


Fig. 5

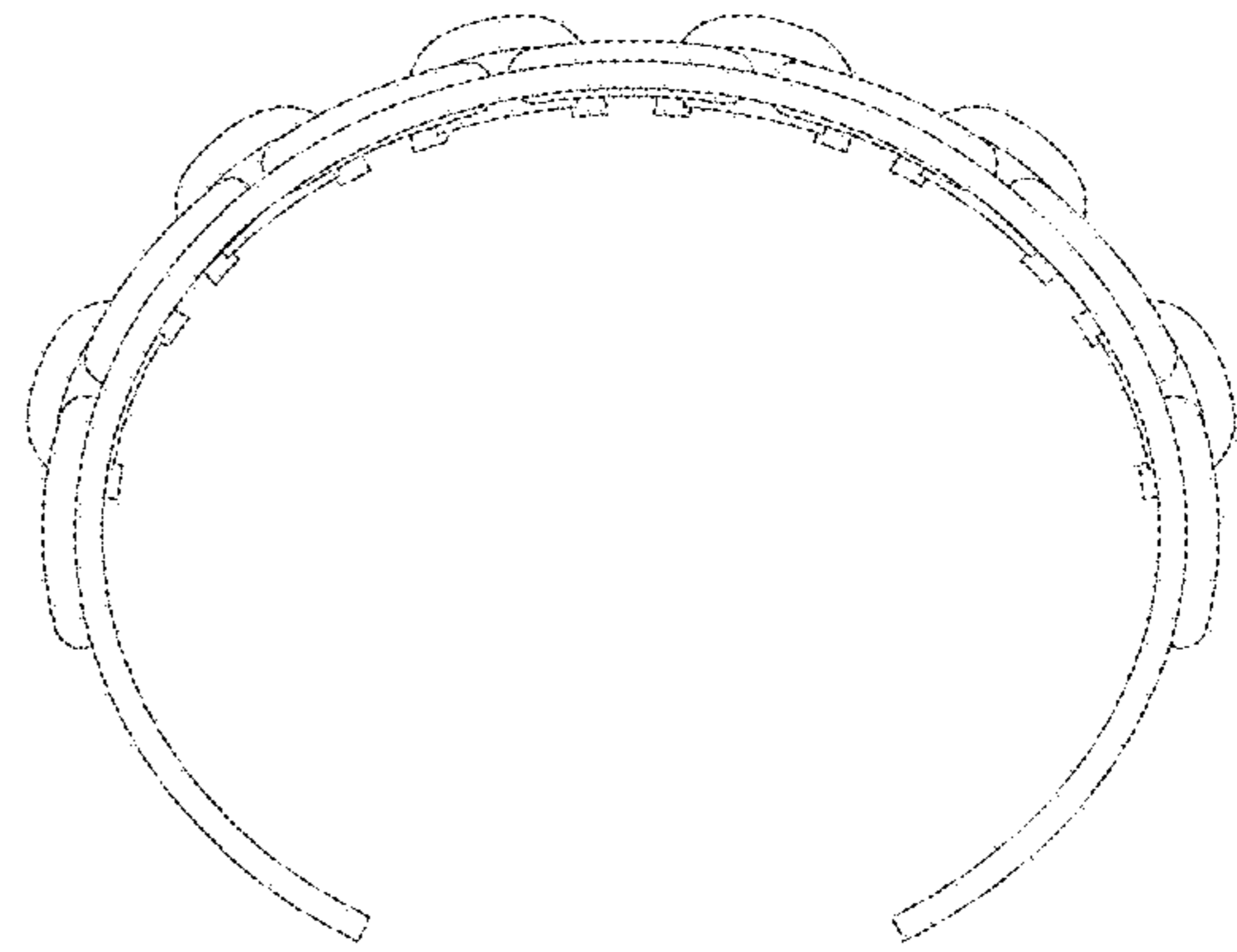


Fig. 6

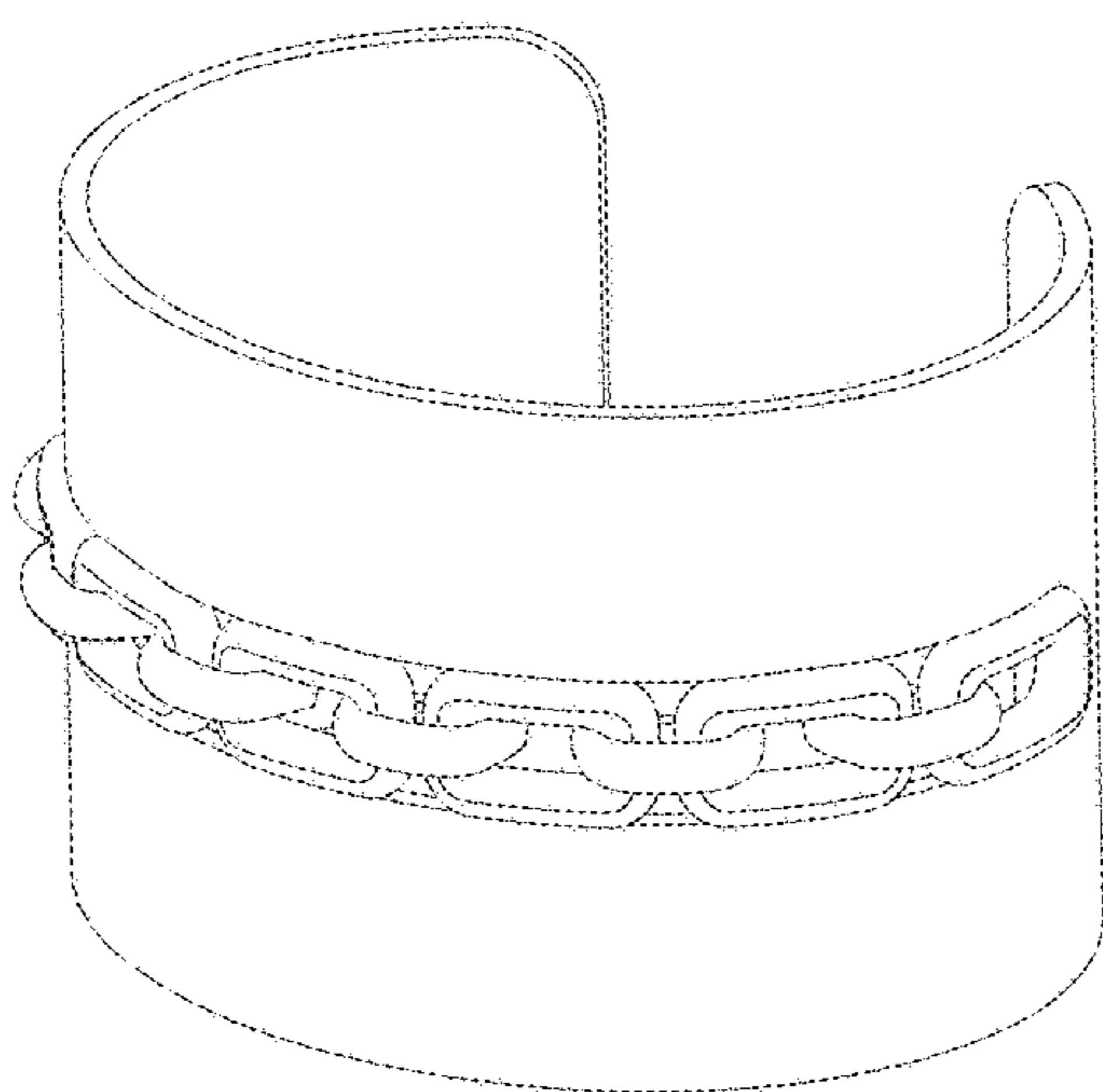


Fig. 7