



US00D813070S

(12) **United States Design Patent**
Verbeck

(10) **Patent No.:** **US D813,070 S**

(45) **Date of Patent:** **** Mar. 20, 2018**

(54) **ACCELEROMETER HOLDER**

(71) Applicant: **Lennox Industries Inc.**, Richardson,
TX (US)

(72) Inventor: **David Paul Verbeck**, Waxahachie, TX
(US)

(73) Assignee: **Lennox Industries Inc.**, Richardson,
TX (US)

(**) Term: **15 Years**

(21) Appl. No.: **29/584,418**

(22) Filed: **Nov. 14, 2016**

(51) **LOC (11) Cl.** **10-04**

(52) **U.S. Cl.**
USPC **D10/103**

(58) **Field of Classification Search**
USPC D10/74, 80, 103; D3/201, 203.1, 203.2,
D3/202, 215, 218; D14/251, 52, 253,
D14/451
CPC A45F 5/00-5/14; A45F 2005/008; A45F
2005/025; A45F 2005/028; A45F
2200/00-2200/0525; G06F 2200/1633;
H04M 1/0235; H04M 1/185; H04M 1/04;
Y10S 224/929; Y10S 224/93
See application file for complete search history.

(56) **References Cited**

U.S. PATENT DOCUMENTS

4,562,620 A * 1/1986 Oliver, Jr. A44B 11/005
224/163
D283,076 S * 3/1986 States, Jr. 224/247

D387,897 S * 12/1997 Yorke D27/172
6,976,579 B2 * 12/2005 Molnar A45C 11/24
206/308.1
D638,728 S * 5/2011 Chisamore D10/74

* cited by examiner

Primary Examiner — Antoine Duval Davis

(74) *Attorney, Agent, or Firm* — Hubbard Johnston,
PLLC

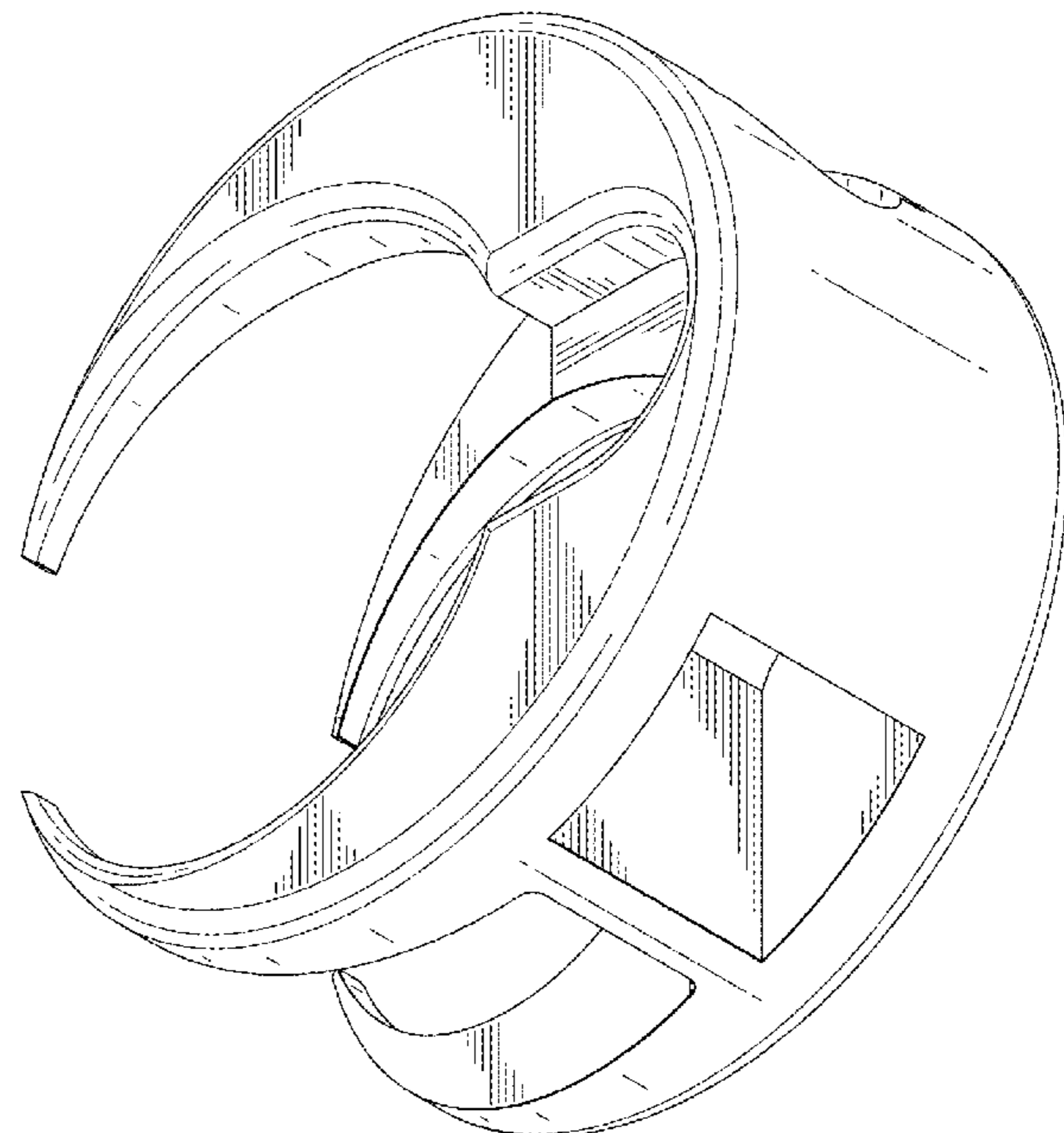
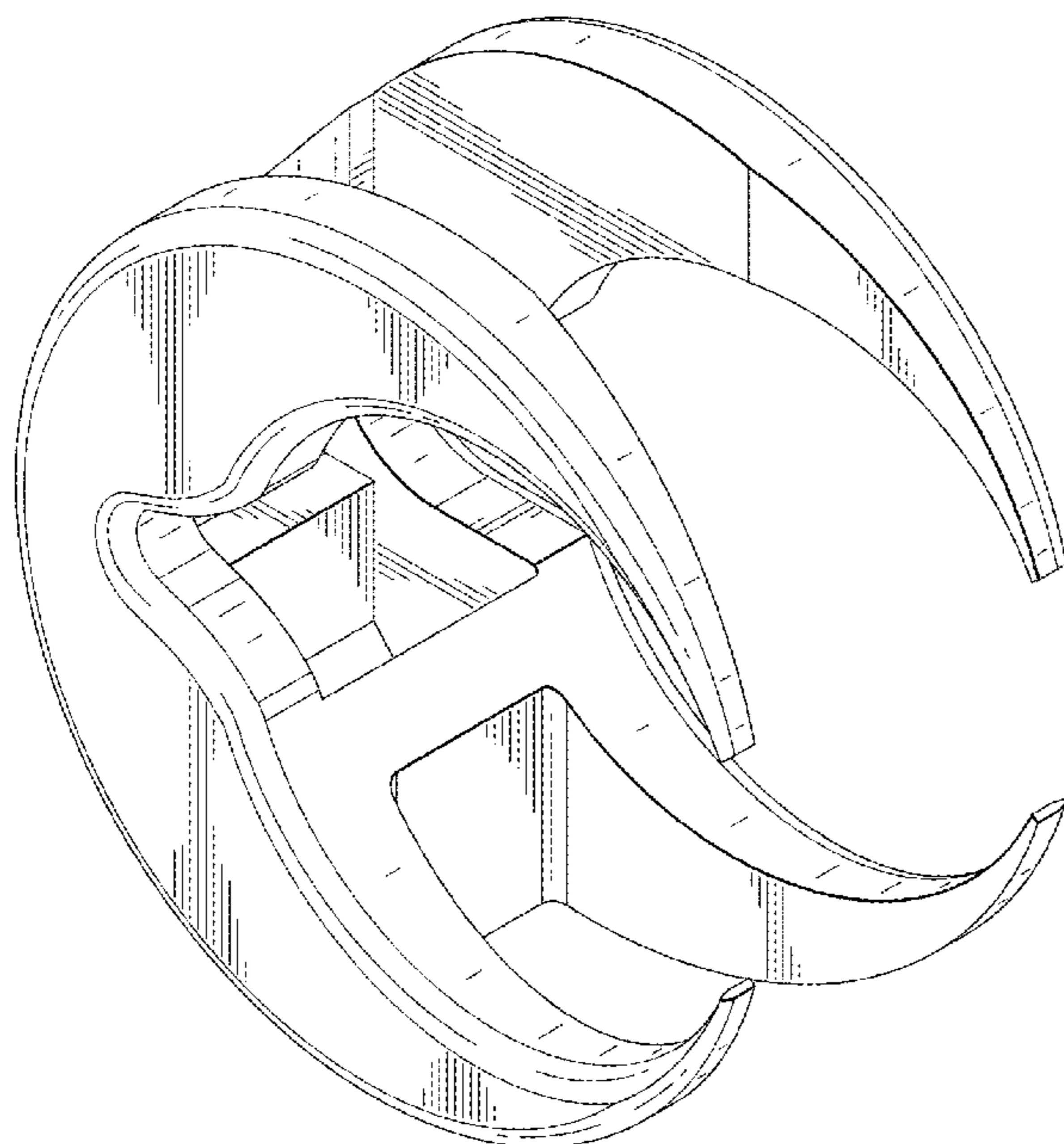
(57) **CLAIM**

The ornamental design for an accelerometer holder, as
shown and described.

DESCRIPTION

FIG. 1 is a front perspective view of an accelerometer holder
showing our new design;
FIG. 2 is a front elevation view thereof;
FIG. 3 is a rear elevation view thereof;
FIG. 4 is a right elevation view thereof;
FIG. 5 is a left elevation view thereof;
FIG. 6 is a top plan view thereof;
FIG. 7 is a bottom plan view thereof; and,
FIG. 8 is a rear perspective view thereof.

1 Claim, 4 Drawing Sheets



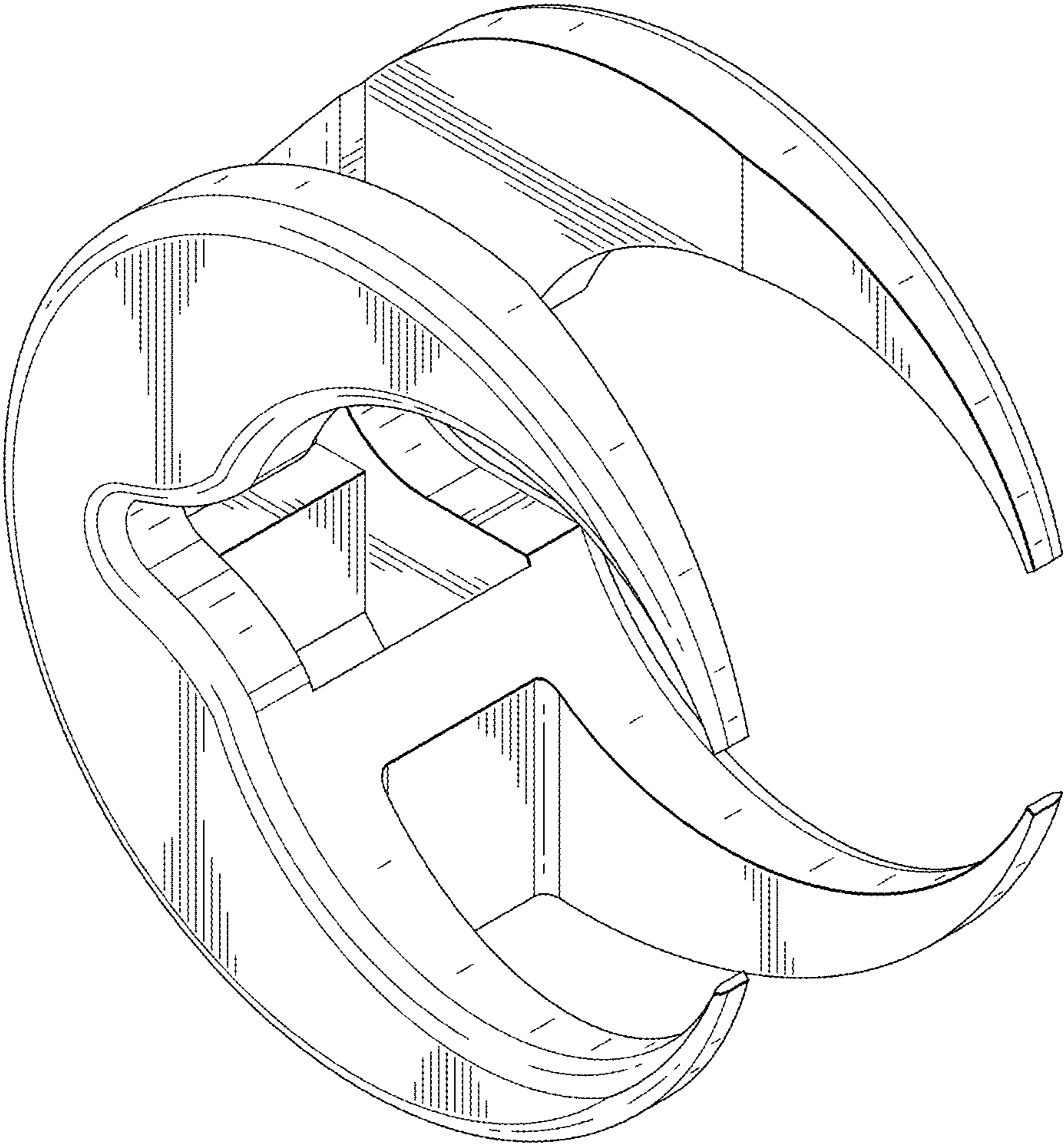


FIG. 1

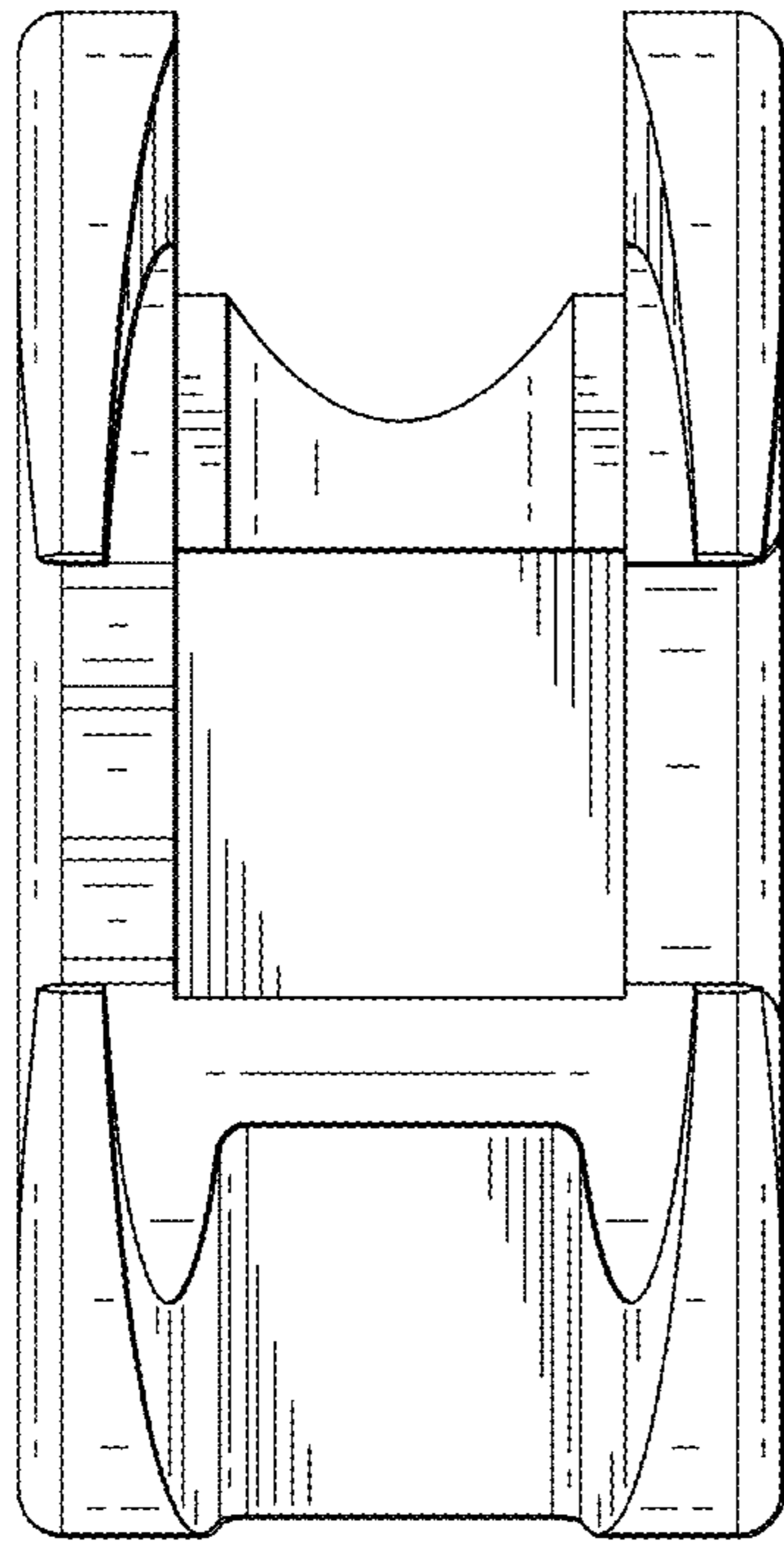


FIG. 2

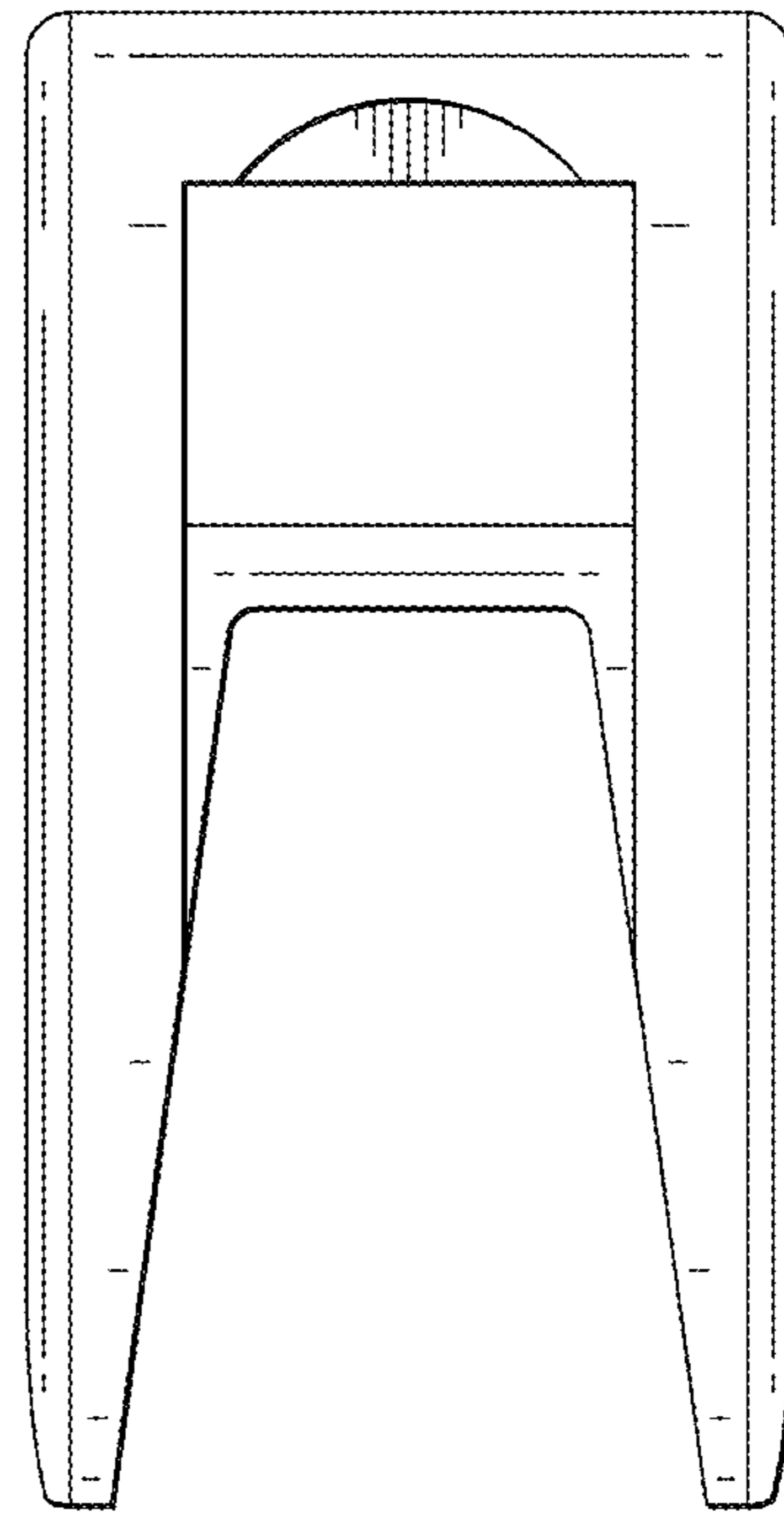


FIG. 6

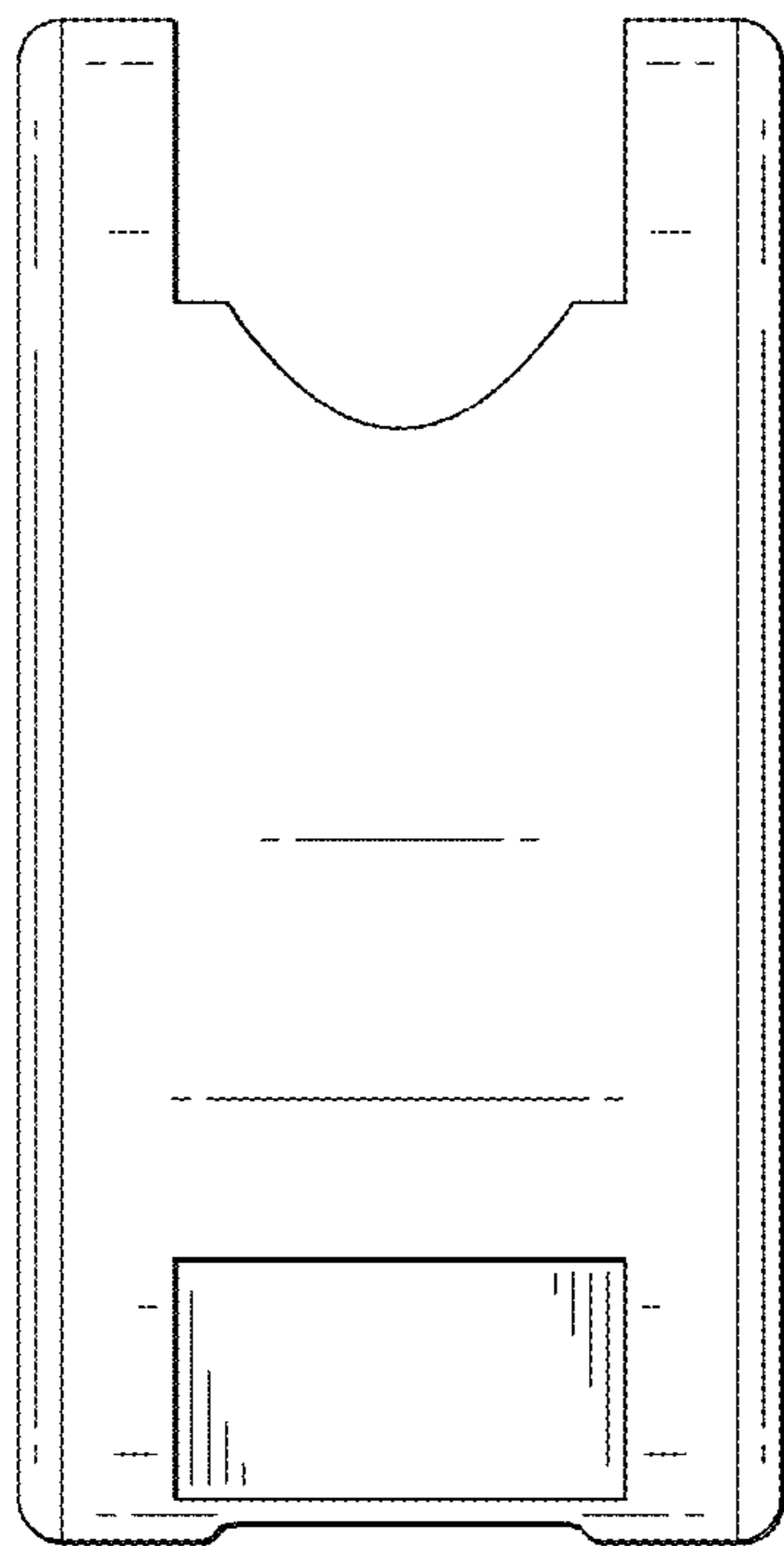


FIG. 3

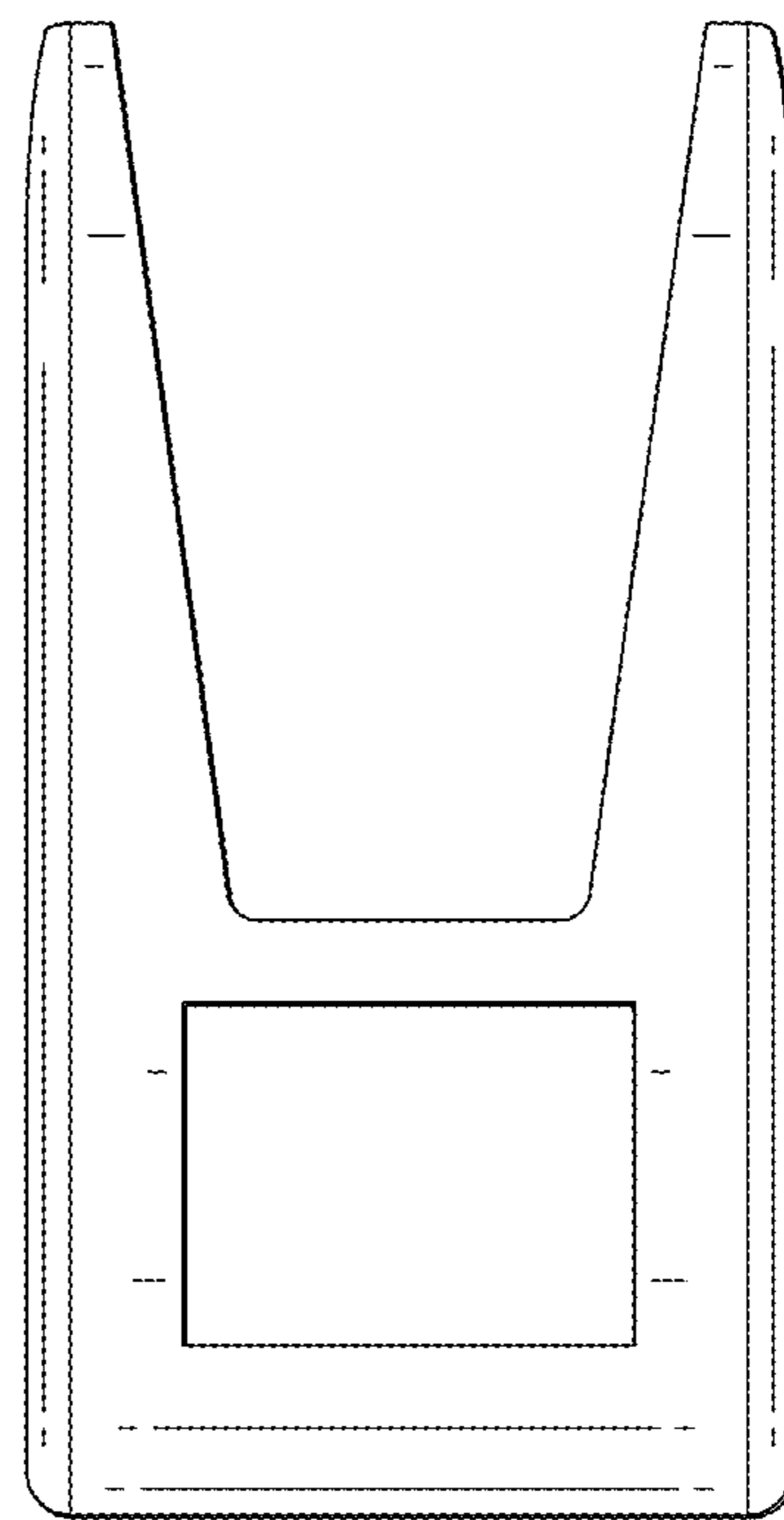


FIG. 7

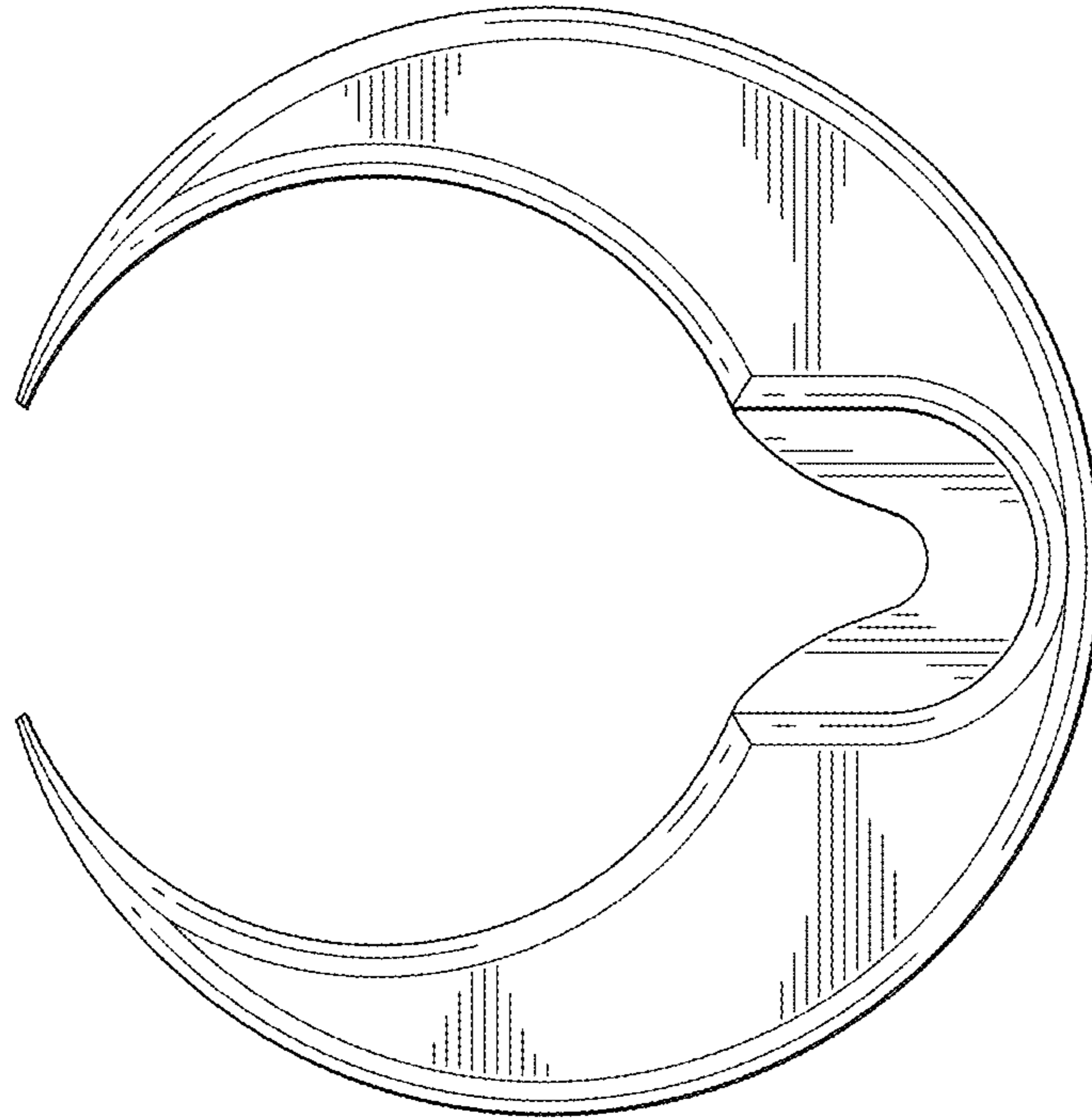


FIG. 4

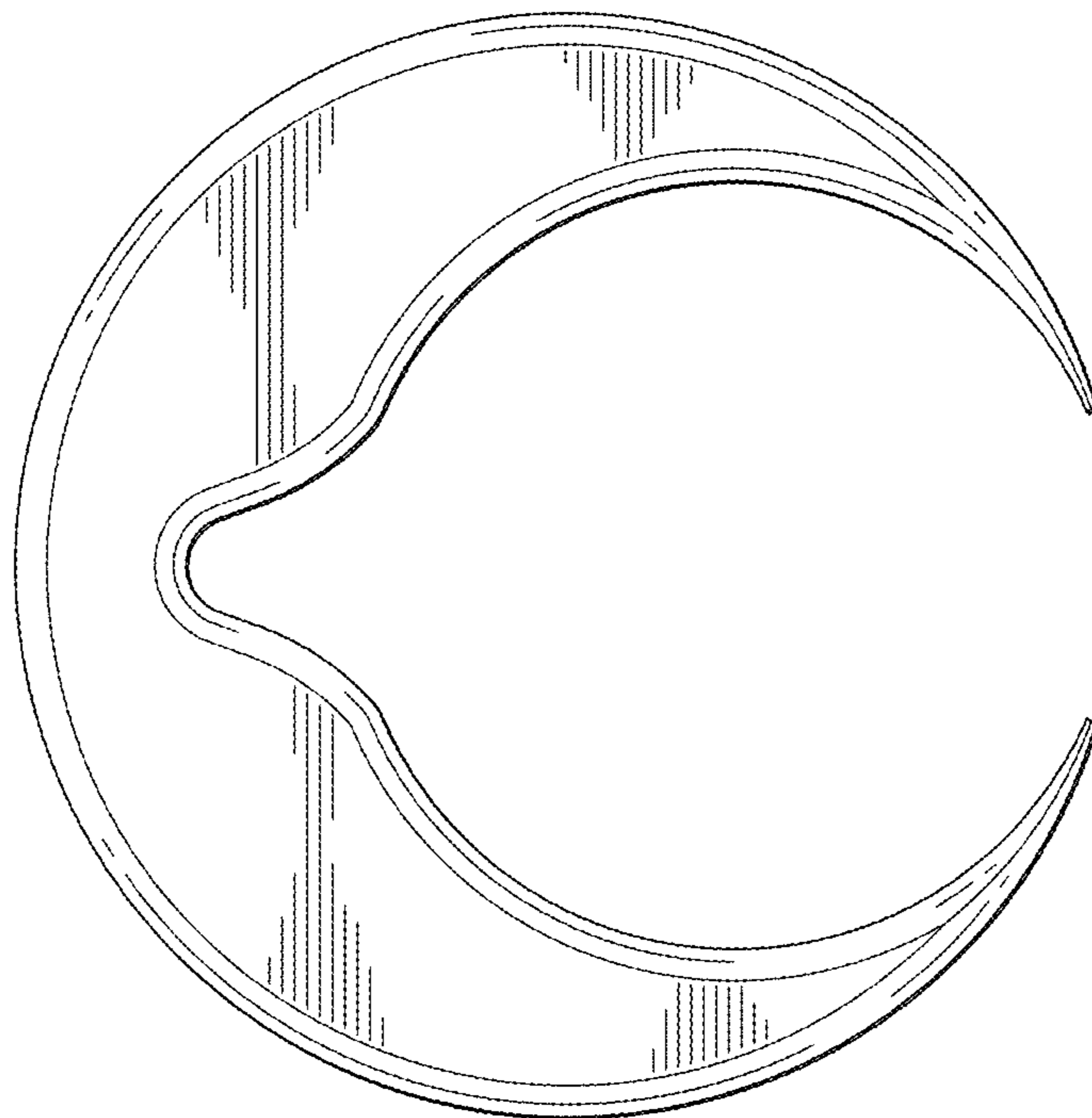


FIG. 5

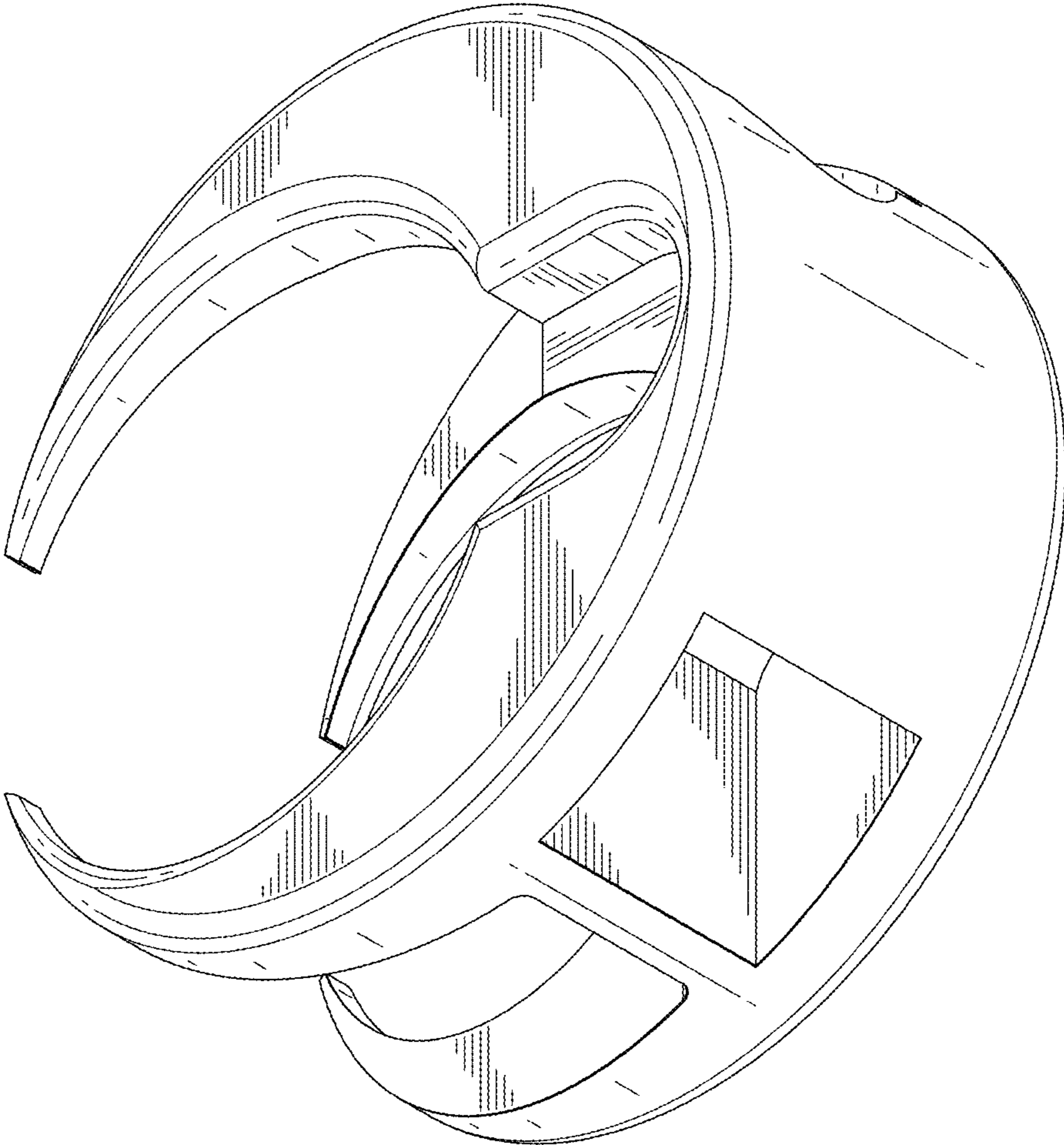


FIG. 8