



US00D813068S

(12) **United States Design Patent**
Studer

(10) **Patent No.:** **US D813,068 S**
(45) **Date of Patent:** **** Mar. 20, 2018**

- (54) **PEOPLE COUNTING SENSOR**
- (71) Applicant: **Xovis AG**, Zollikofen (CH)
- (72) Inventor: **David Studer**, Bruegg BE (CH)
- (73) Assignee: **XOVIS AG**, Zollikofen (CH)
- (**) Term: **15 Years**
- (21) Appl. No.: **29/591,233**
- (22) Filed: **Jan. 18, 2017**

13/194; G08B 13/19602; G08B 13/19608;
G06K 9/00342; G06K 9/00362; G06K
9/00369

See application file for complete search history.

(56) **References Cited**

U.S. PATENT DOCUMENTS

D771,824 S * 11/2016 Minoli D10/65

* cited by examiner

Primary Examiner — Antoine Duval Davis

(74) *Attorney, Agent, or Firm* — Birch, Stewart, Kolasch & Birch, LLP

(57) **CLAIM**

The ornamental design for a people counting sensor, as shown and described.

DESCRIPTION

FIG. 1 is a front perspective view of a people counting sensor according to my new design;
FIG. 2 is a rear perspective view thereof;
FIG. 3 is a front view thereof;
FIG. 4 is a rear view thereof;
FIG. 5 is a view in the direction of arrow 5 of FIG. 4;
FIG. 6 is a view in the direction of arrow 6 of FIG. 4;
FIG. 7 is a view in the direction of arrow 7 of FIG. 4; and,
FIG. 8 is a view in the direction of arrow 8 of FIG. 4.

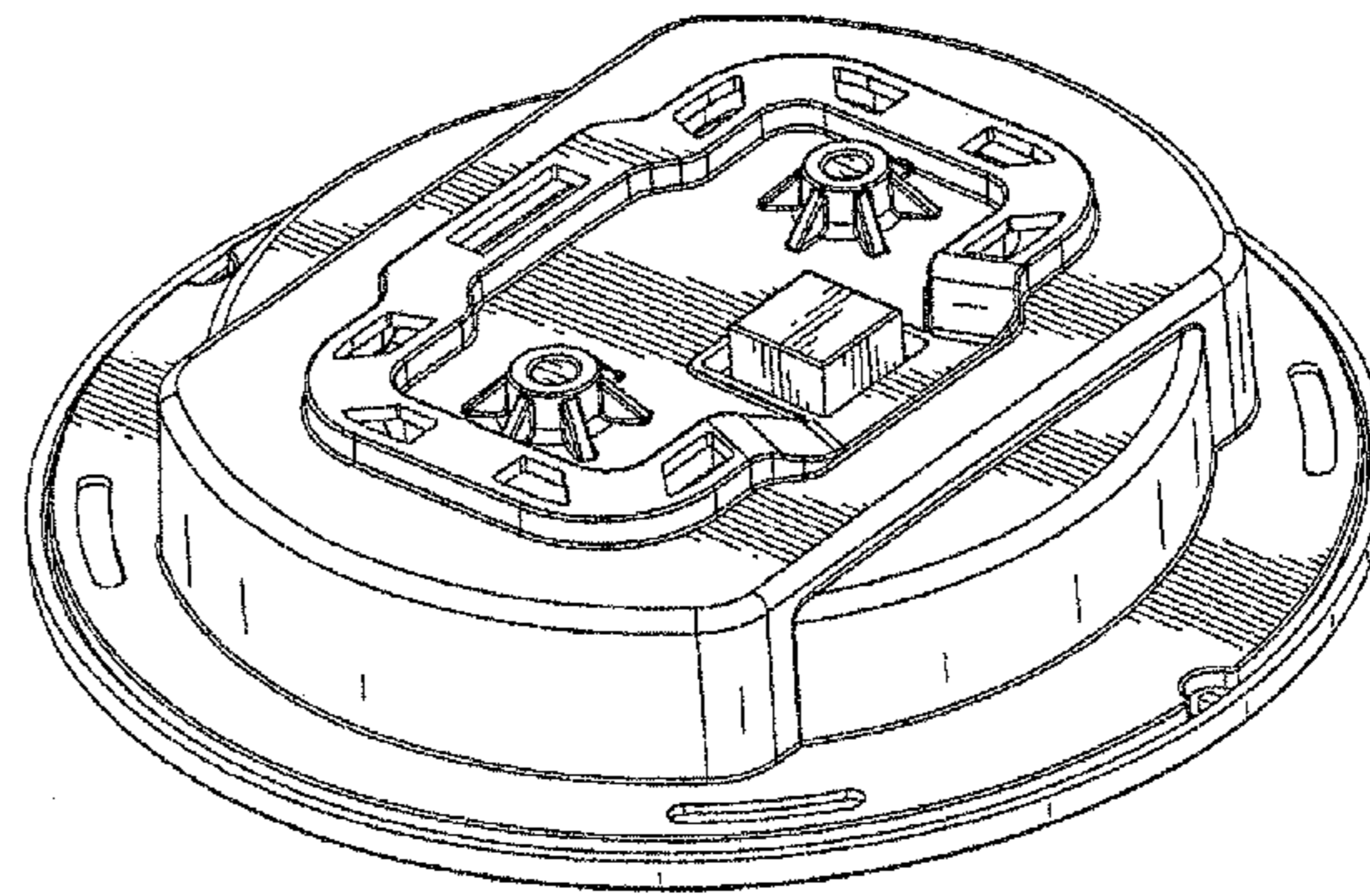
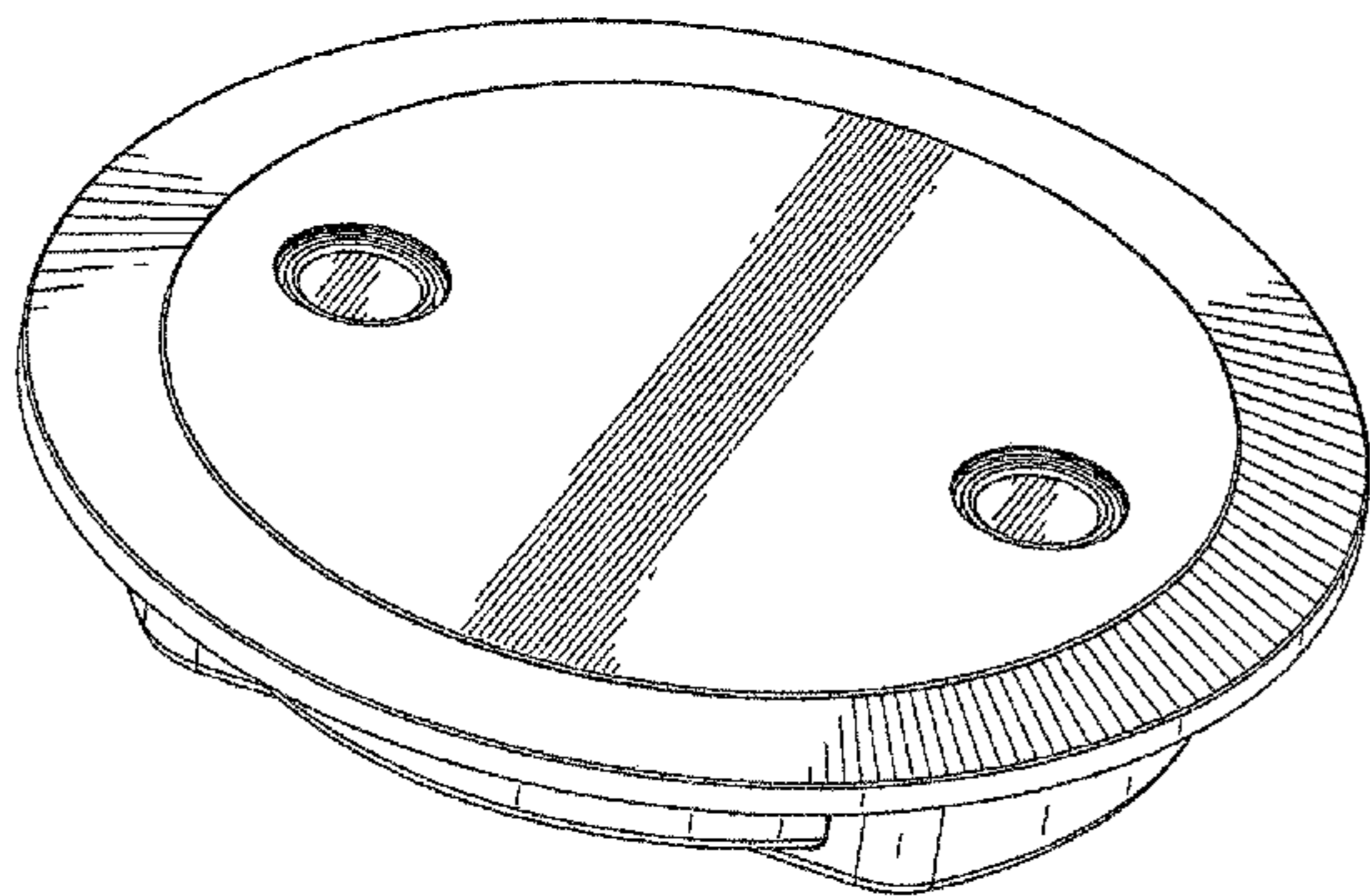
1 Claim, 5 Drawing Sheets

Related U.S. Application Data

- (62) Division of application No. 29/539,924, filed on Sep. 18, 2015, now Pat. No. Des. 780,611.

Foreign Application Priority Data

- Jul. 27, 2015 (WO) DM/087111
- (51) **LOC (11) Cl.** **10-04**
- (52) **U.S. Cl.**
USPC **D10/97; D10/104.1**
- (58) **Field of Classification Search**
USPC D10/70, 97, 104.1, 106.6
CPC G07C 11/00; G07C 11/02; G07C 11/04;
G07C 9/00; G08B 13/191; G08B 13/248;
G08B 13/189; G08B 13/193; G08B



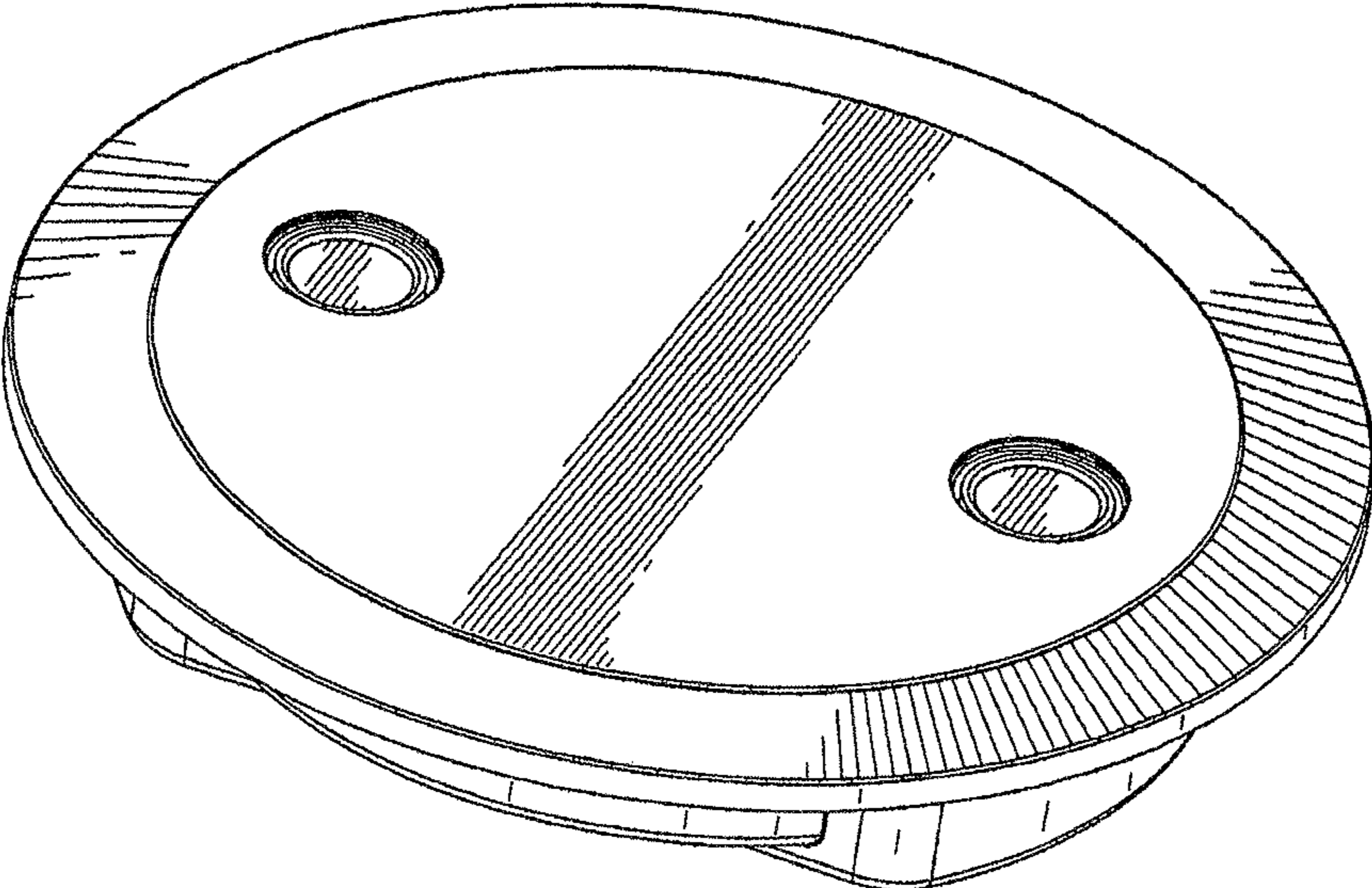


FIG. 1

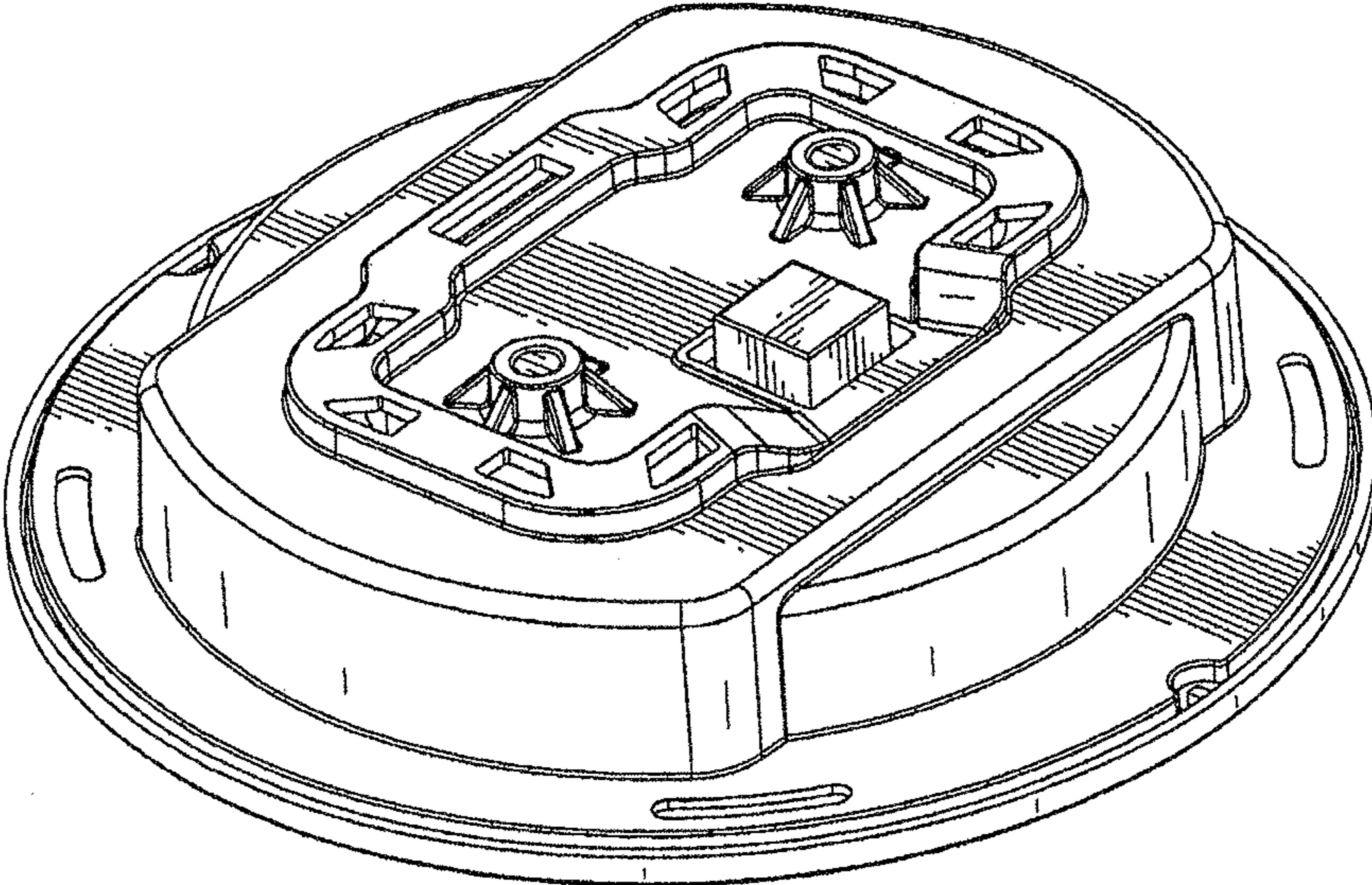


FIG. 2

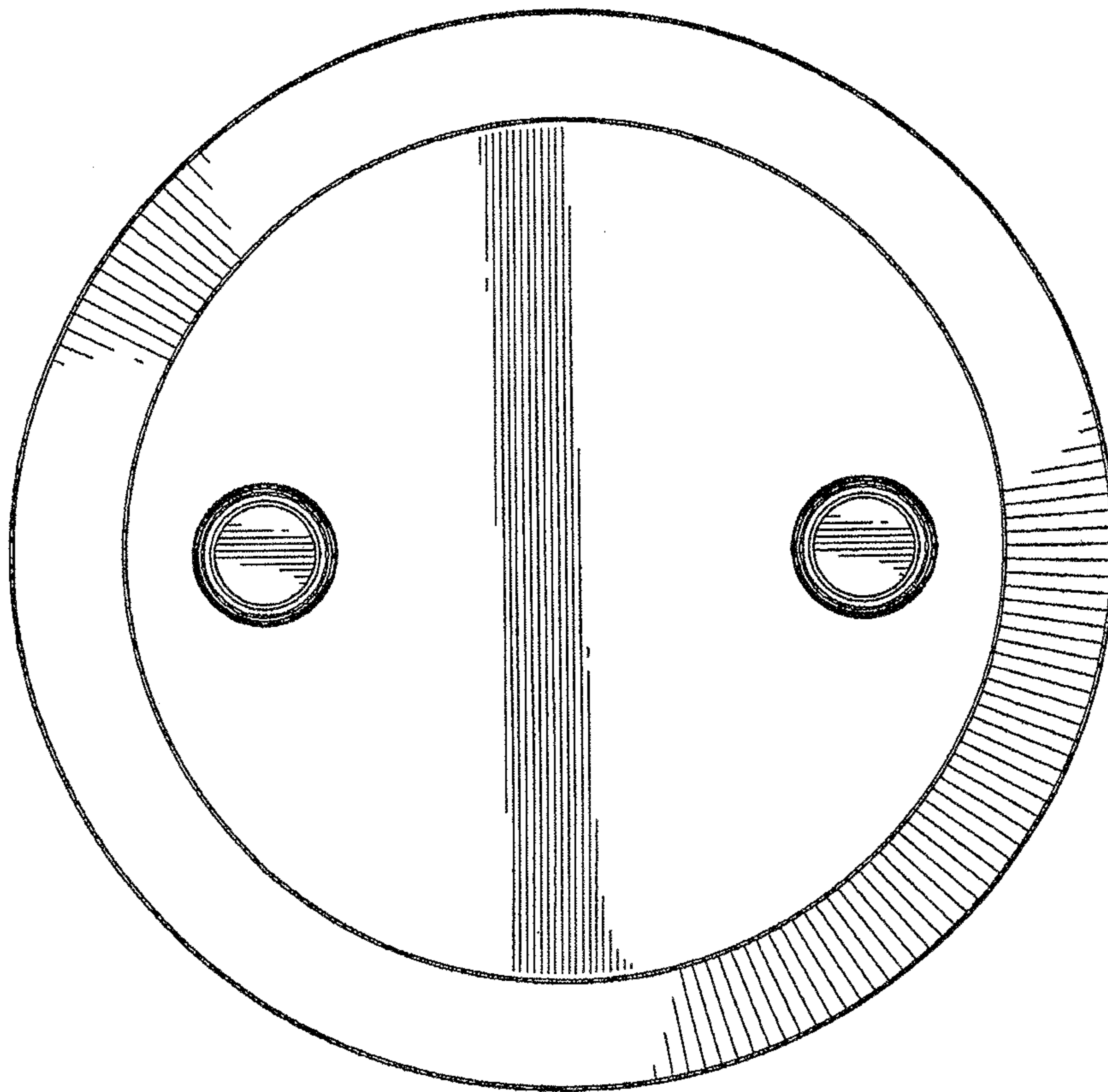


FIG. 3

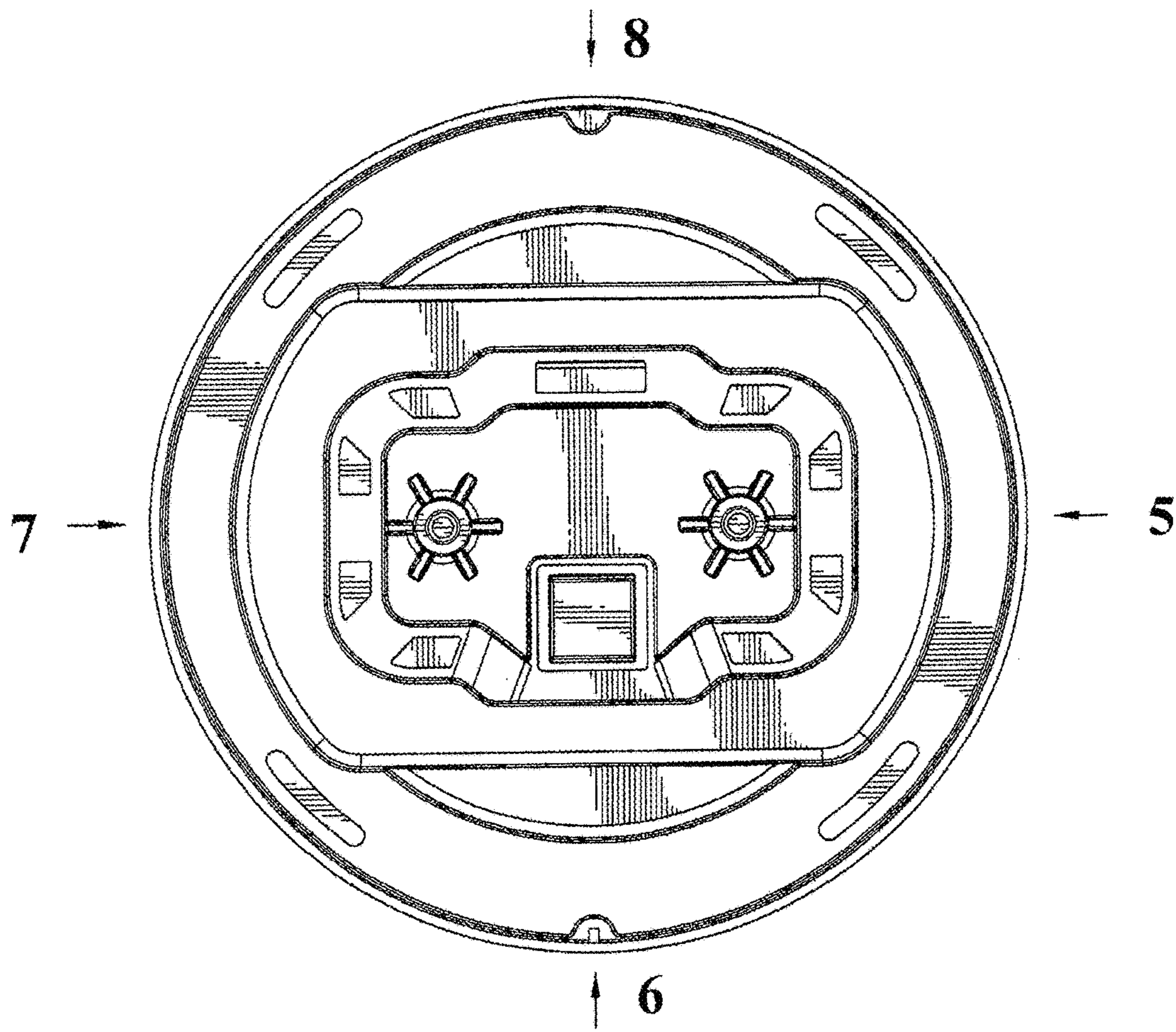


FIG. 4

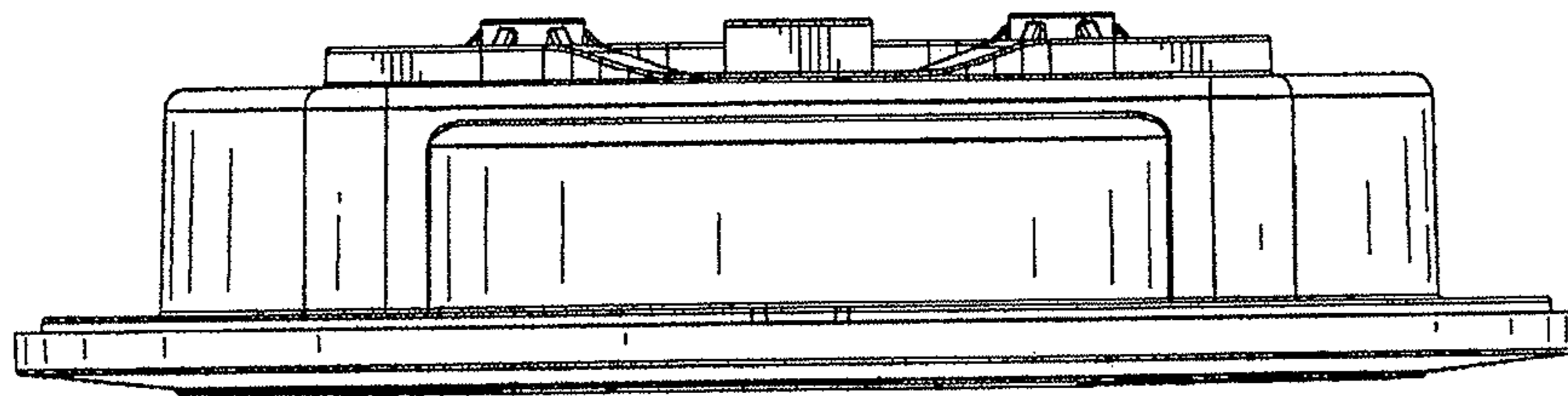


FIG. 5

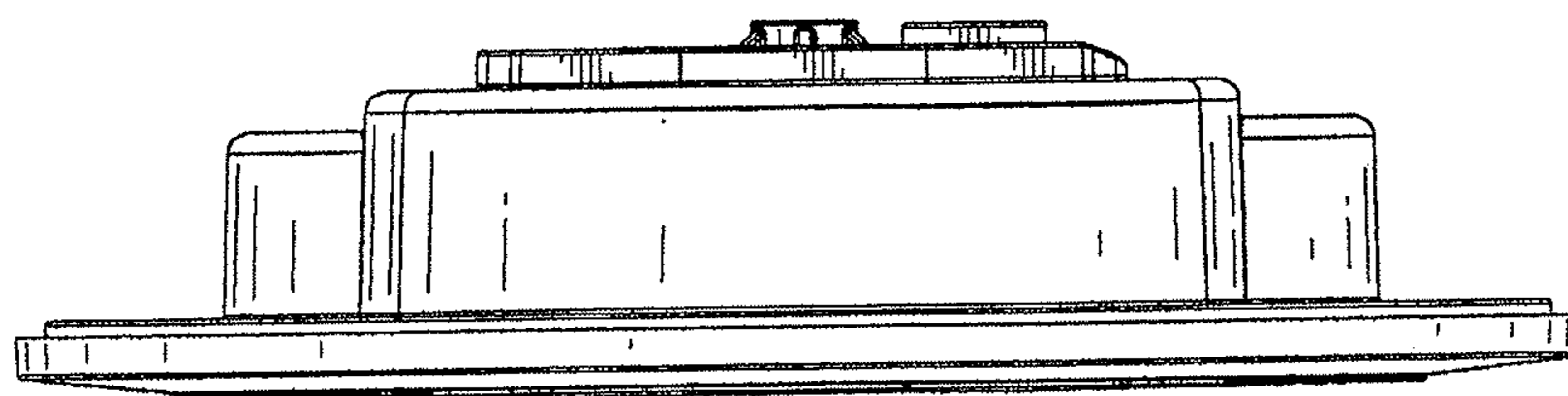


FIG. 6

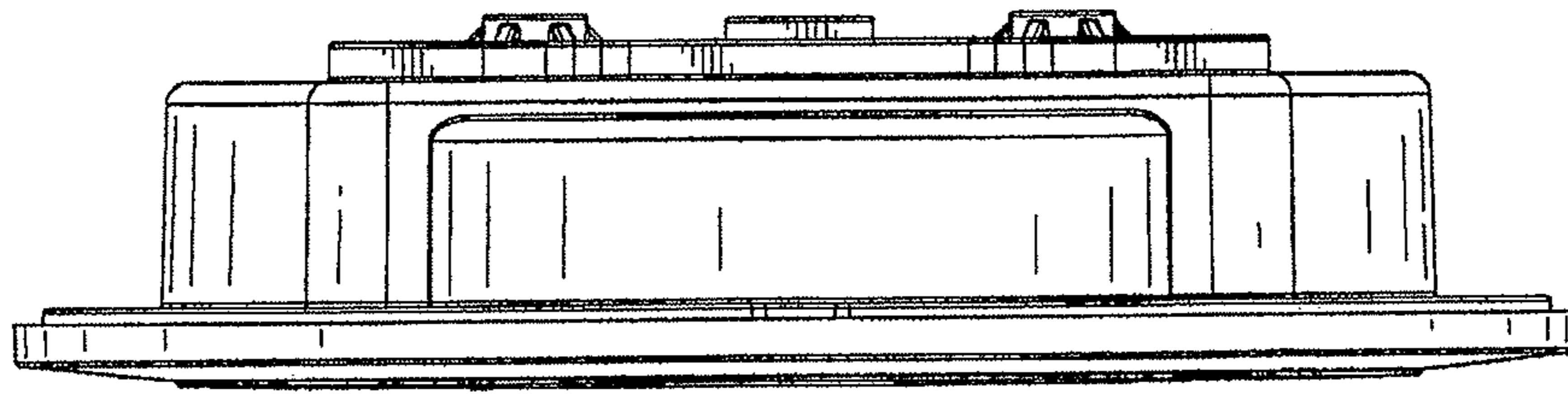


FIG. 7

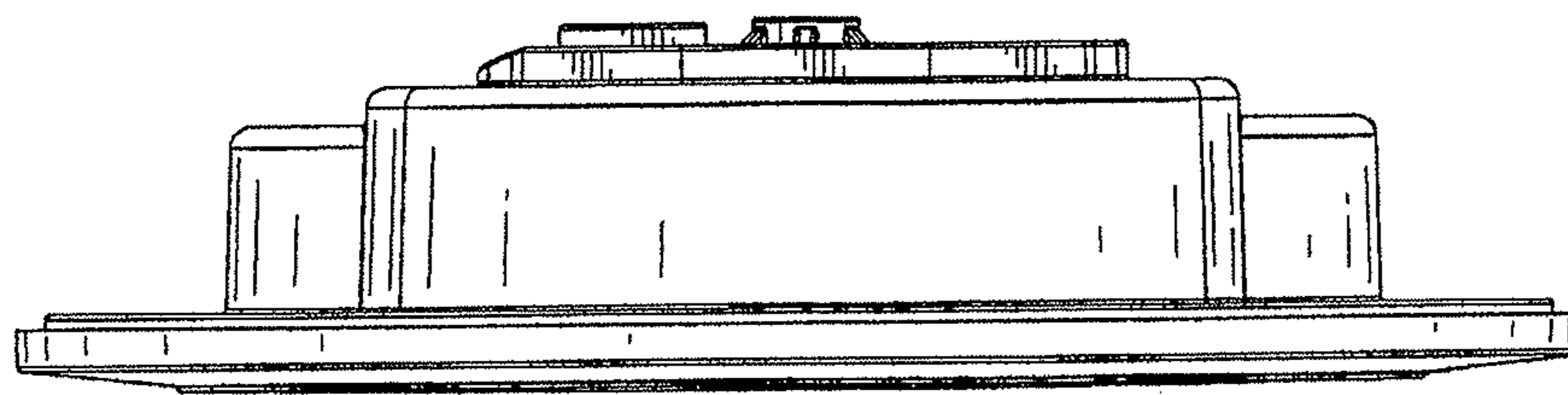


FIG. 8