



US00D813066S

(12) **United States Design Patent**
Jin

(10) **Patent No.:** **US D813,066 S**
(45) **Date of Patent:** **** Mar. 20, 2018**

(54) **AIR TIRE INFLATING GUN**

9,206,916 B1 * 12/2015 Wang F16K 15/207

(71) Applicant: **Jue Jin**, Wenzhou (CN)

* cited by examiner

(72) Inventor: **Jue Jin**, Wenzhou (CN)

Primary Examiner — Antoine Duval Davis

(**) Term: **15 Years**

(74) *Attorney, Agent, or Firm* — Wayne & Ken, LLC;
Tony Hom

(21) Appl. No.: **29/587,165**

(57) **CLAIM**

(22) Filed: **Dec. 9, 2016**

The ornamental design for an air tire inflating gun, as shown and described.

(51) **LOC (11) Cl.** **10-04**

(52) **U.S. Cl.**
USPC **D10/86**

(58) **Field of Classification Search**

USPC D10/86; D15/7
CPC .. B60C 29/062; B60S 5/02; B60S 5/04; B60S
5/043; Y10T 137/3584; Y10T 137/36;
Y10T 137/3662; Y10T 137/3677; Y10T
137/3693

See application file for complete search history.

DESCRIPTION

FIG. 1 is a front elevation view of an air tire inflating gun showing my new design;
FIG. 2 is a rear elevation view thereof;
FIG. 3 is a right side elevation view thereof;
FIG. 4 is a left side elevation view thereof;
FIG. 5 is a top plan view thereof;
FIG. 6 is a bottom plan view thereof; and,
FIG. 7 is a perspective view thereof.

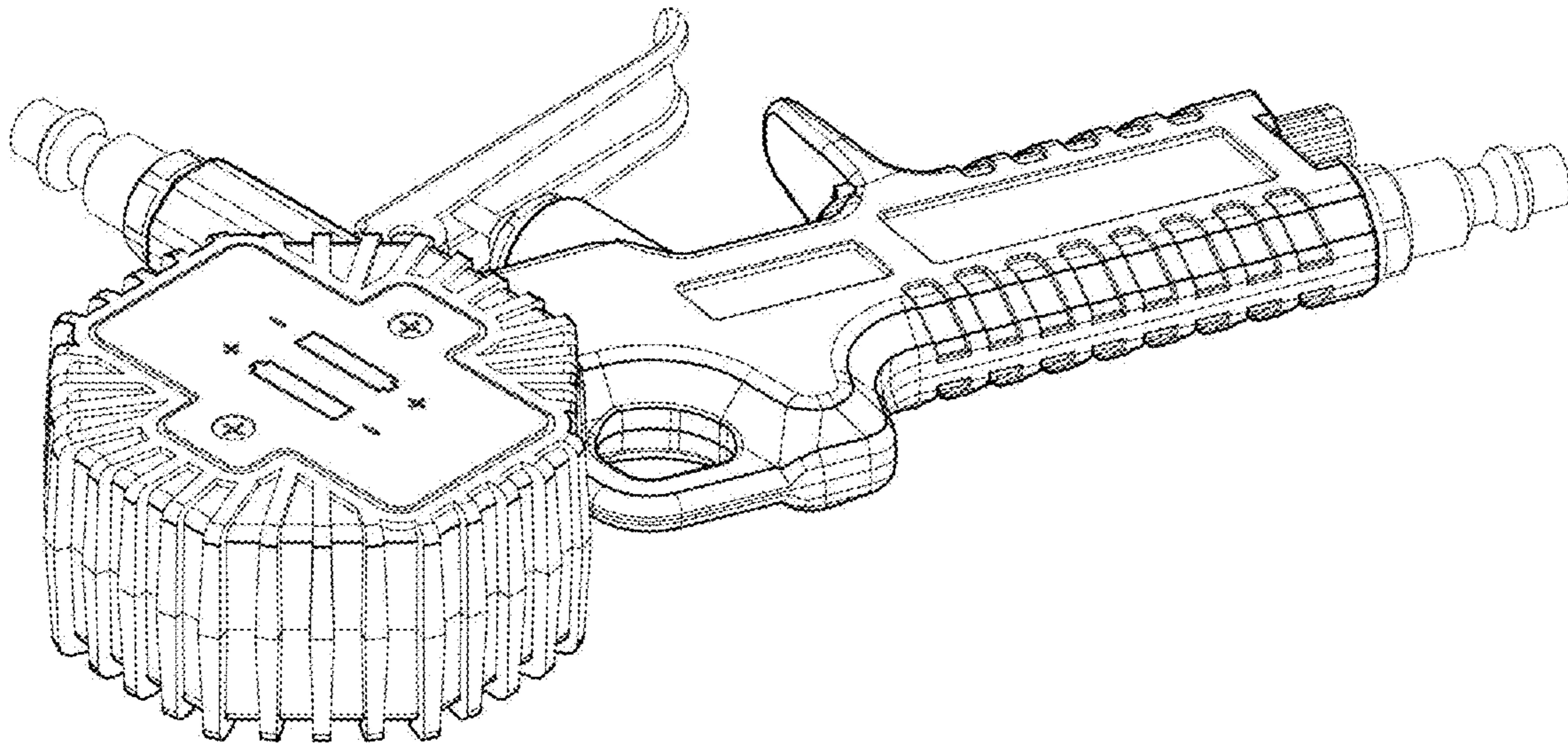
The features shown in broken lines in the various figures are shown for illustrating environmental structure and forming no part of the claimed design.

(56) **References Cited**

U.S. PATENT DOCUMENTS

D599,689 S * 9/2009 Chen D10/86
8,418,713 B2 * 4/2013 Huang B60S 5/046
137/224

1 Claim, 6 Drawing Sheets



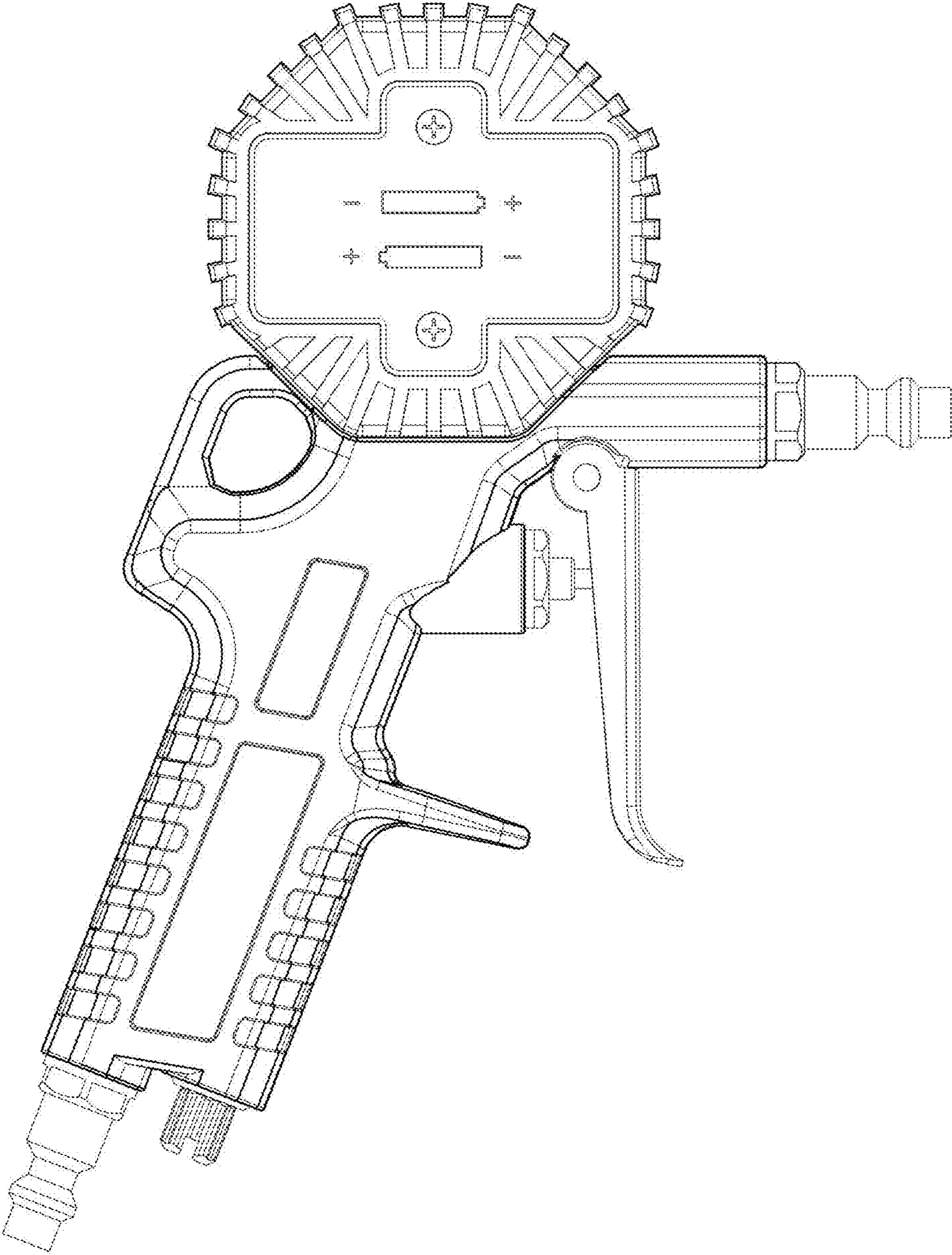


FIG.1

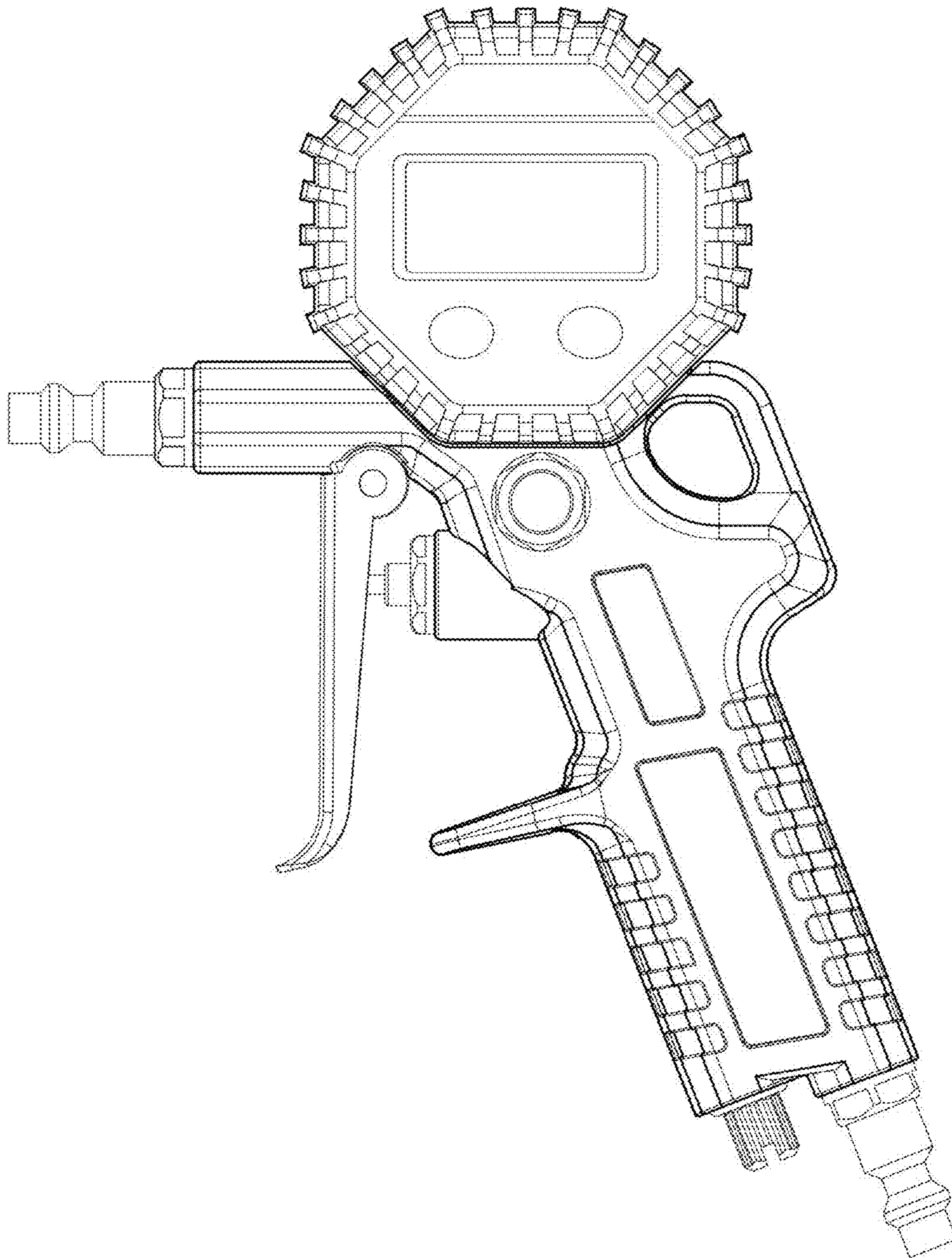


FIG.2

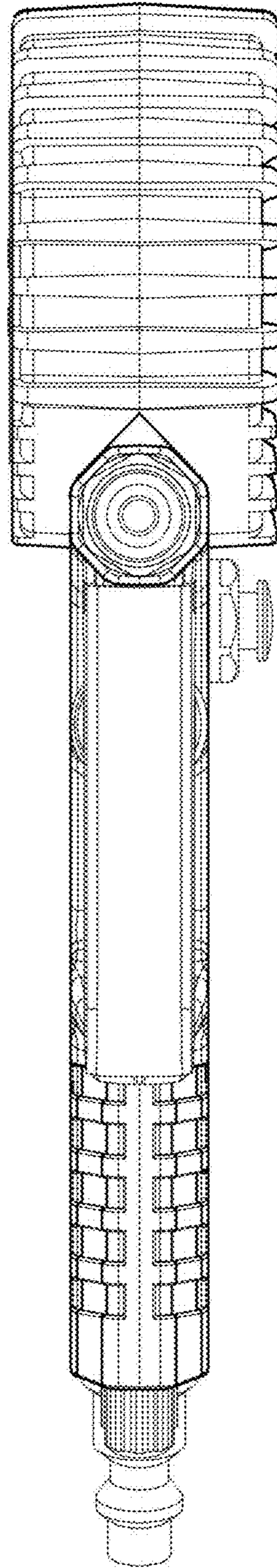


FIG.3

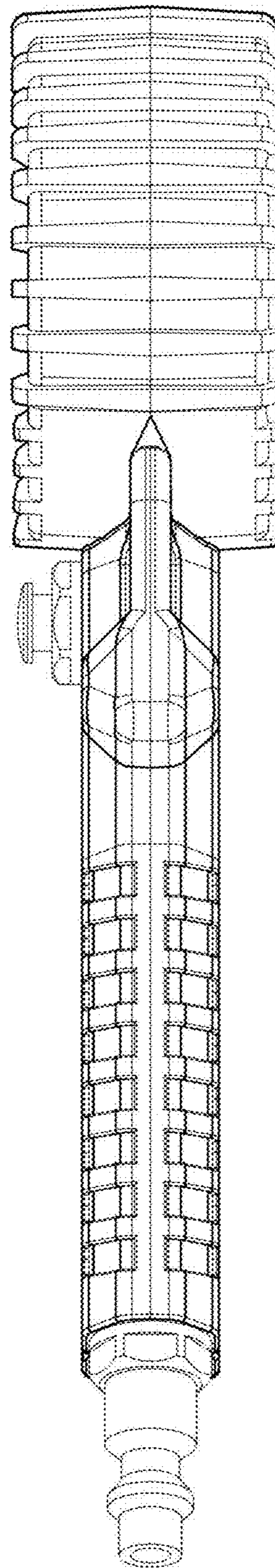


FIG.4

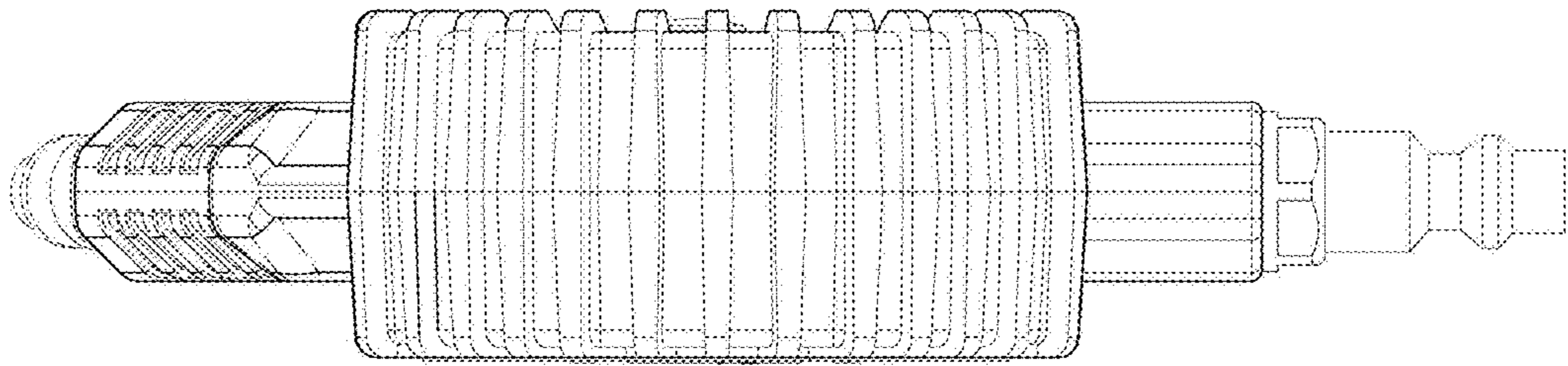


FIG.5

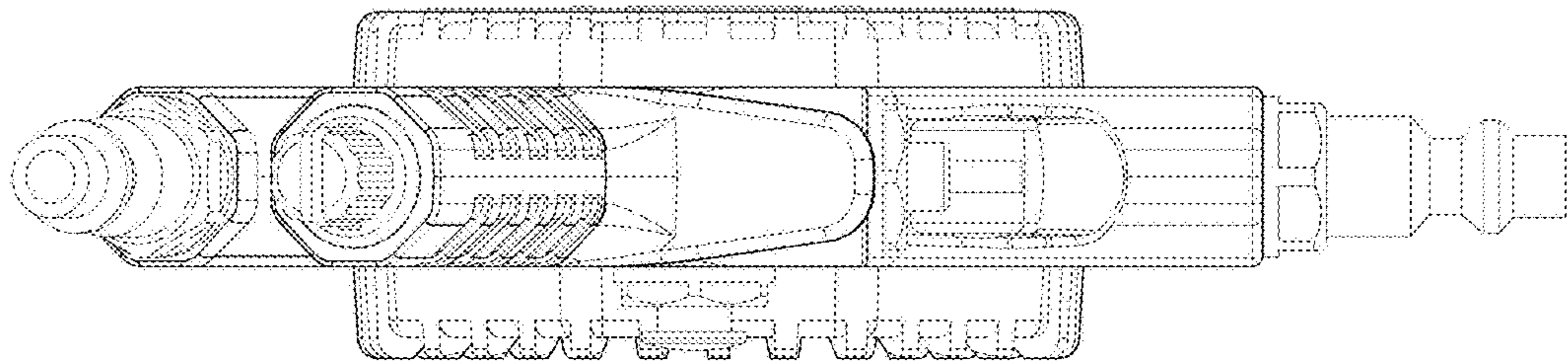


FIG.6

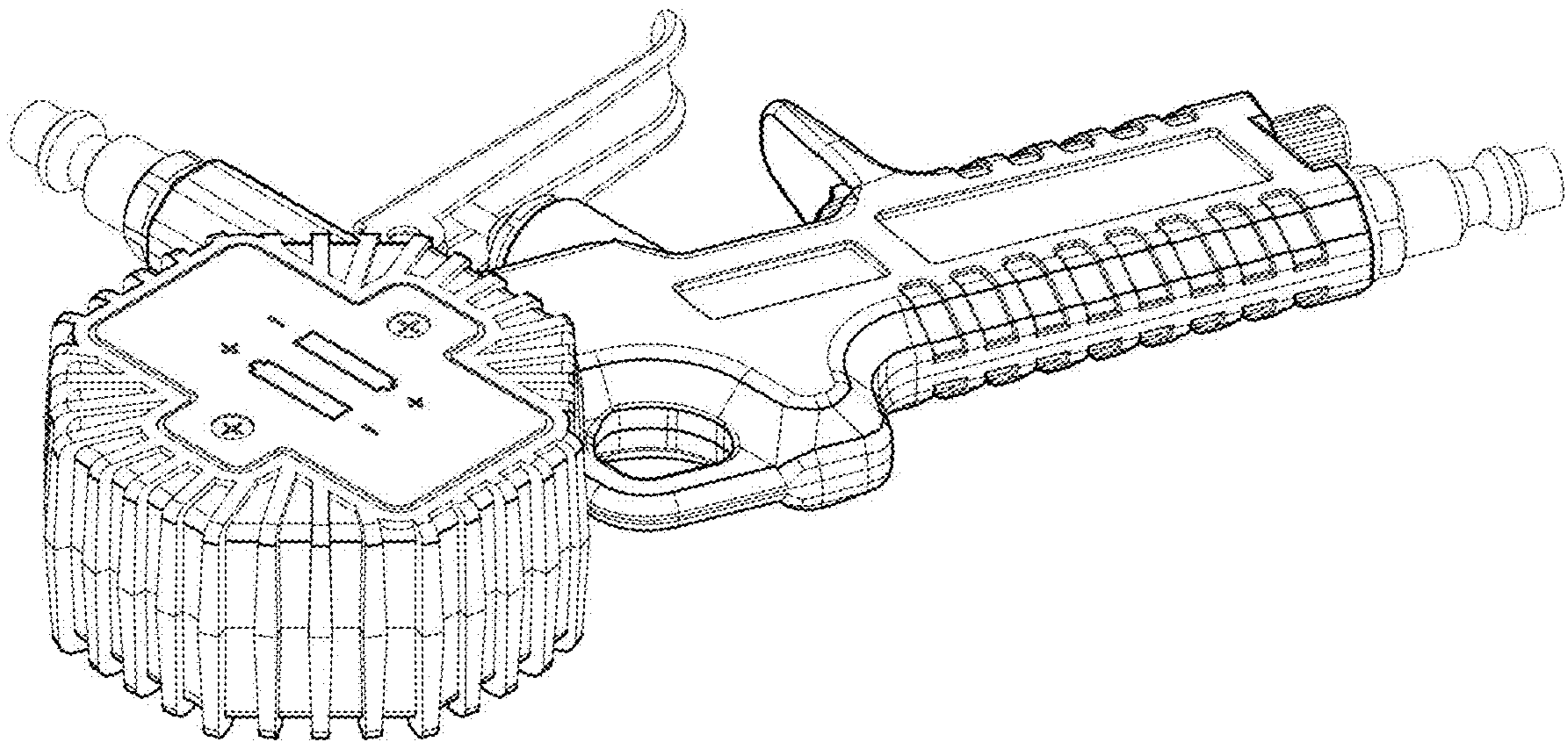


FIG.7