



US00D813065S

(12) **United States Design Patent**
Tateno et al.

(10) **Patent No.:** **US D813,065 S**
(45) **Date of Patent:** **** Mar. 20, 2018**

(54) **GAS SAMPLING CELL**

(71) Applicants: **Hitachi Kokusai Electric Inc.**, Tokyo (JP); **Horiba, Ltd.**, Kyoto (JP)

(72) Inventors: **Hideto Tateno**, Toyama (JP); **Akinori Tanaka**, Toyama (JP); **Kimihiko Arimoto**, Kyoto (JP)

(73) Assignees: **HITACHI KOKUSAI ELECTRIC INC.**, Tokyo (JP); **HORIBA ADVANCED TECHNO CO., LTD.**, Kyoto (JP)

(**) Term: **15 Years**

(21) Appl. No.: **29/573,626**

(22) Filed: **Aug. 8, 2016**

(30) **Foreign Application Priority Data**

Feb. 10, 2016 (JP) 002831/2016

(51) **LOC (11) Cl.** **10-04**

(52) **U.S. Cl.**
USPC **D10/81; D24/224**

(58) **Field of Classification Search**
USPC D10/81; D24/216, 224
CPC A61L 2/00; A61L 2/0082; A61L 2/0088;
A61L 2/0094; G01N 21/05; G01N
2021/052

See application file for complete search history.

(56) **References Cited**

U.S. PATENT DOCUMENTS

3,609,048 A * 9/1971 Strickler G01N 21/15
356/246
7,294,839 B2 * 11/2007 Rich G01N 21/05
250/339.13
D778,457 S * 2/2017 Hara D24/224
D778,458 S * 2/2017 Tateno D24/224

* cited by examiner

Primary Examiner — Antoine Duval Davis

(74) *Attorney, Agent, or Firm* — Fitch, Even, Tabin & Flannery, LLP

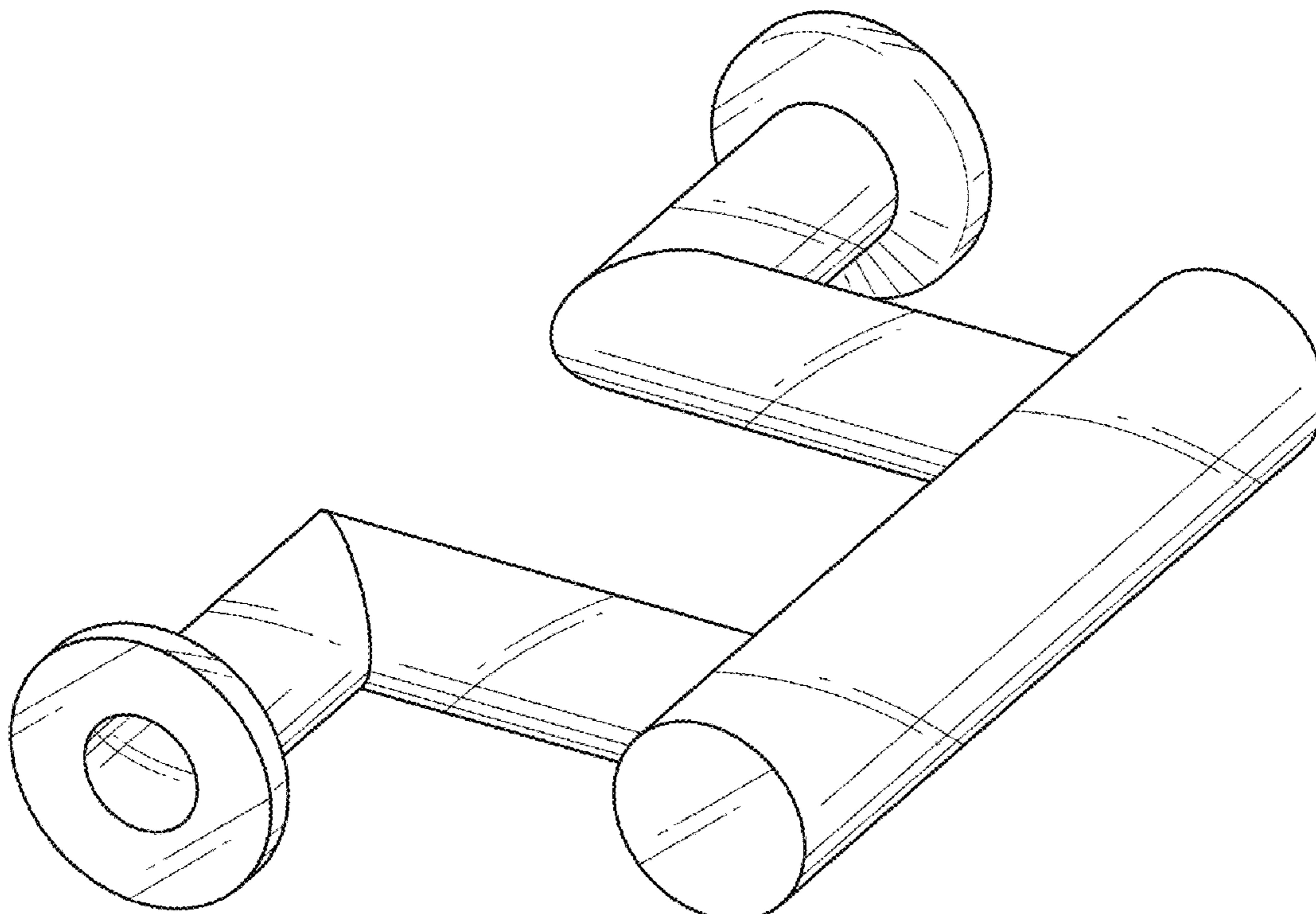
(57) **CLAIM**

We claim the ornamental design for a gas sampling cell, as shown (and described).

DESCRIPTION

FIG. 1 is a front, bottom and right side perspective view of a gas sampling cell showing my new design;
FIG. 2 is a front elevational view thereof;
FIG. 3 is a rear elevational view thereof;
FIG. 4 is a top plan view thereof;
FIG. 5 is a bottom plan view thereof.
FIG. 6 is a left side elevational view thereof;
FIG. 7 is a right side elevational view thereof;
FIG. 8 is a cross-sectional view take along line 8-8 in FIG. 2 thereof; and,
FIG. 9 is a cross-sectional view take along line 9-9 in FIG. 2.

1 Claim, 4 Drawing Sheets



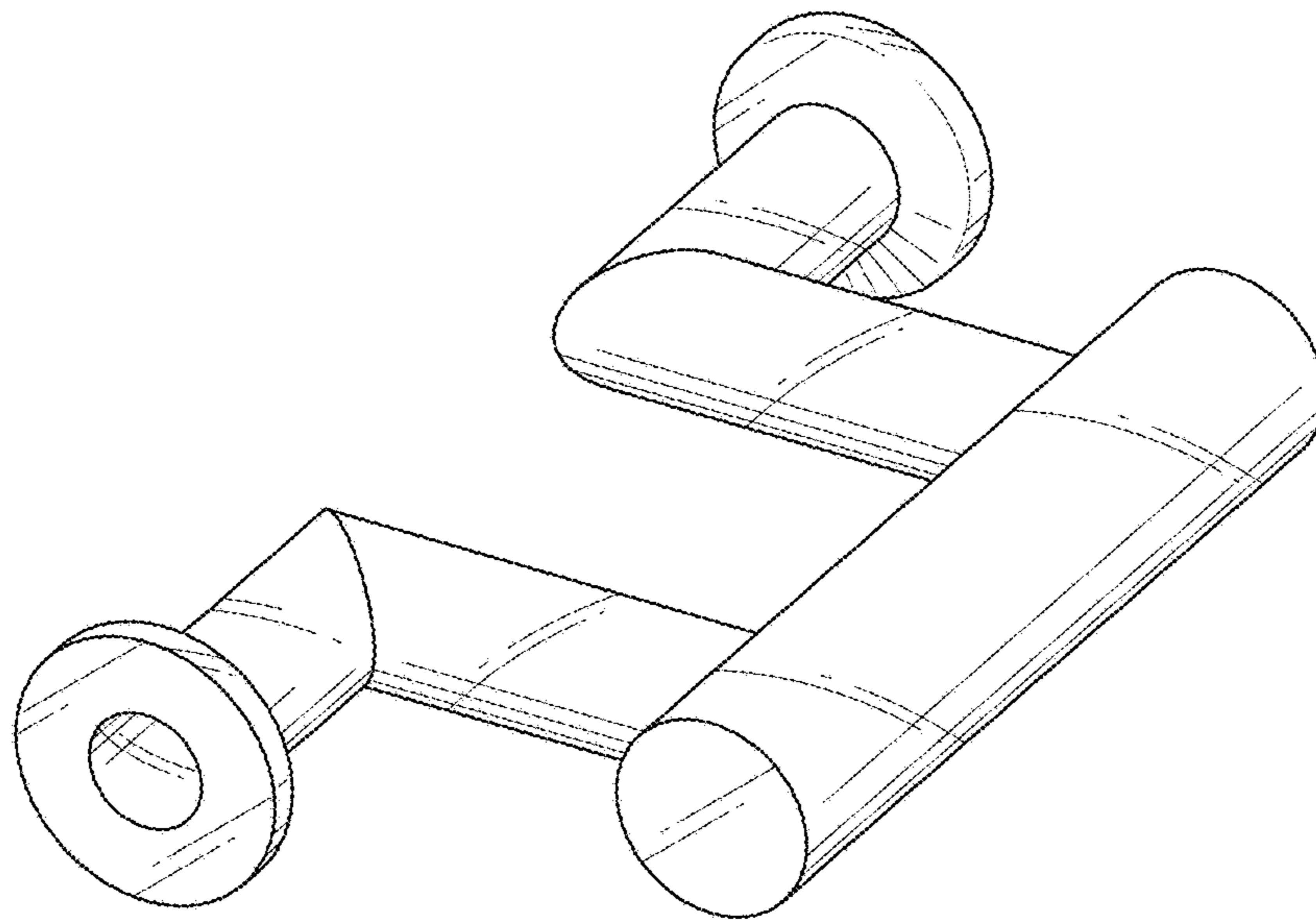


FIG. 1

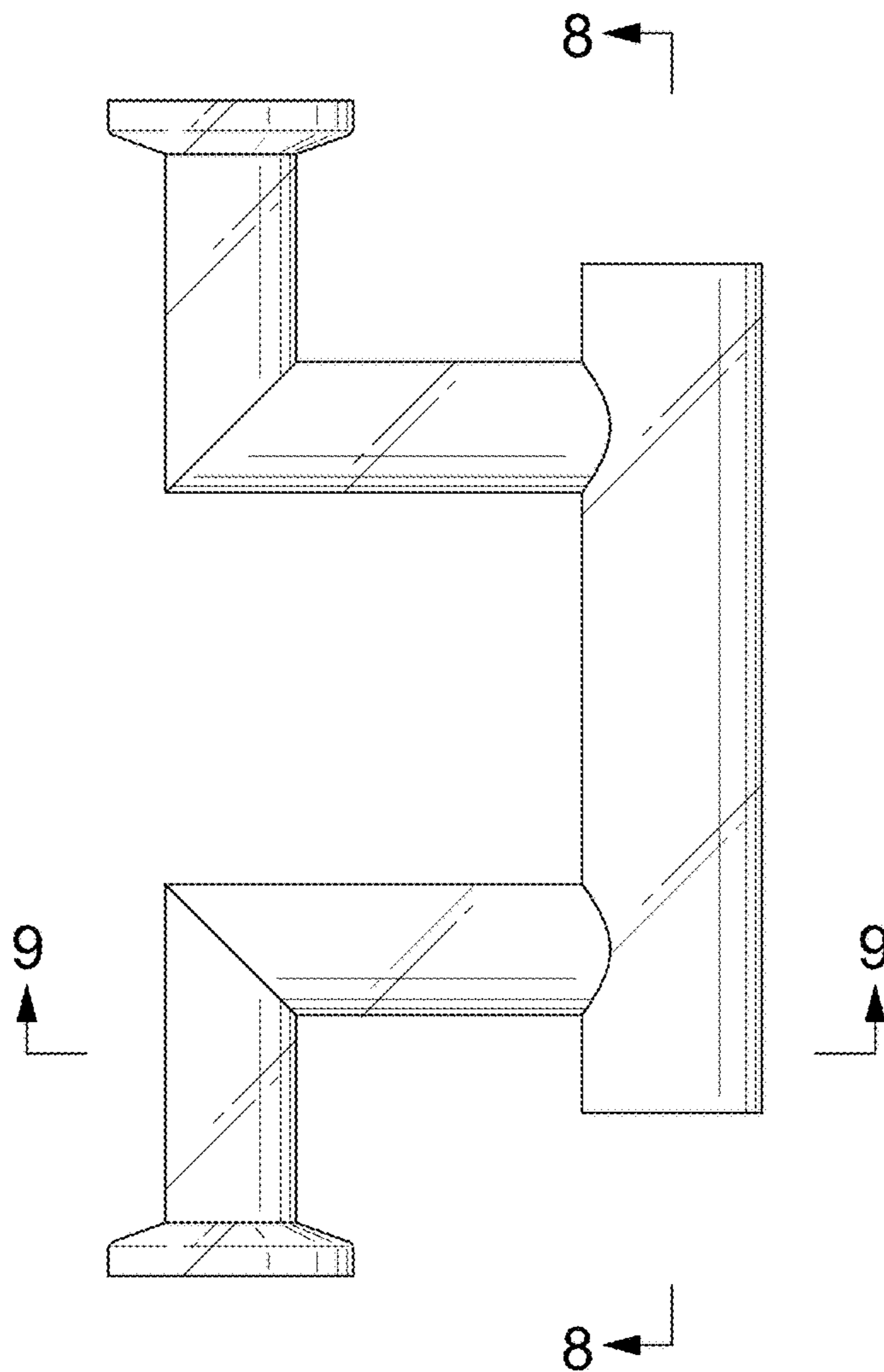


FIG. 2

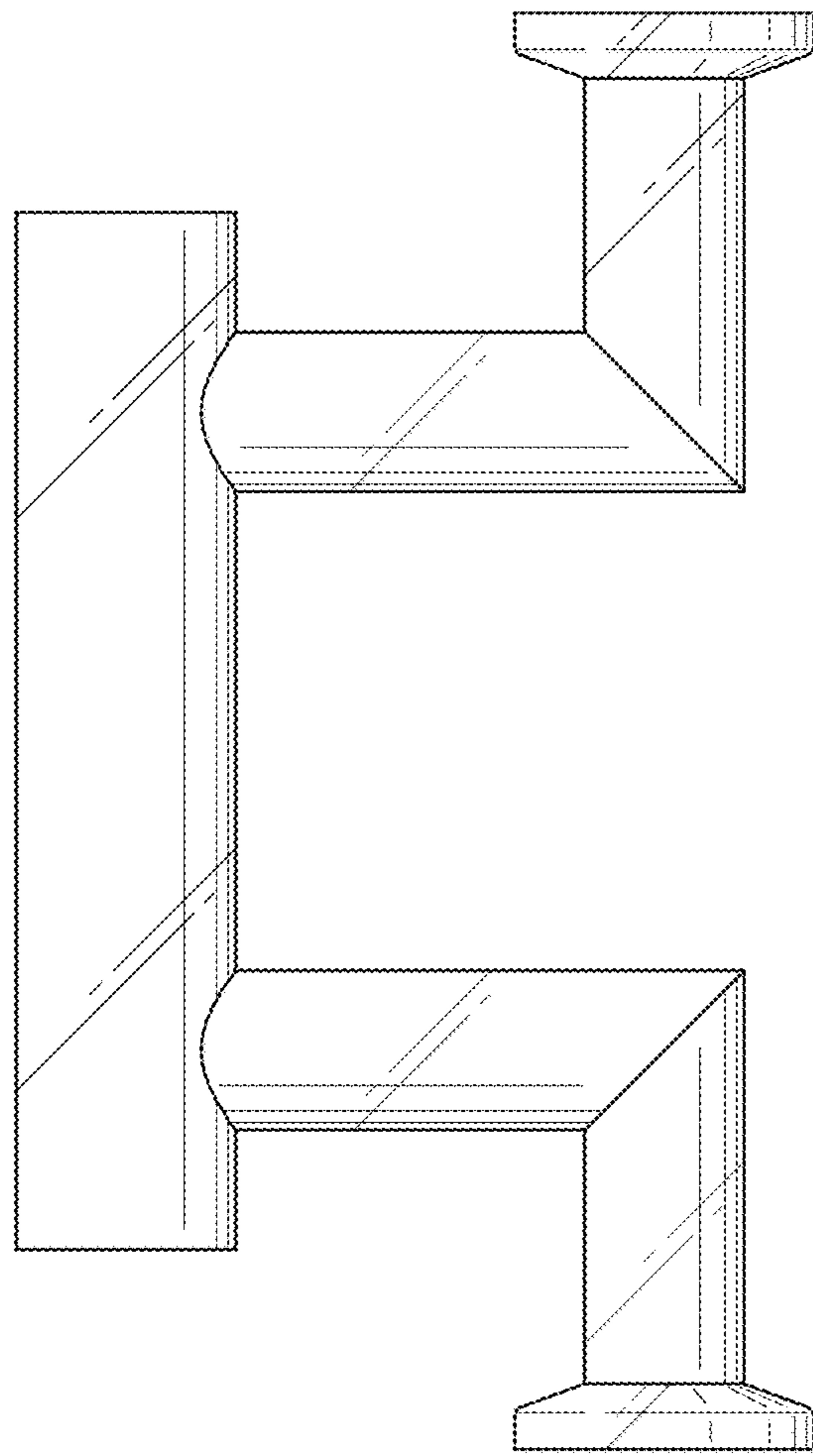


FIG. 3

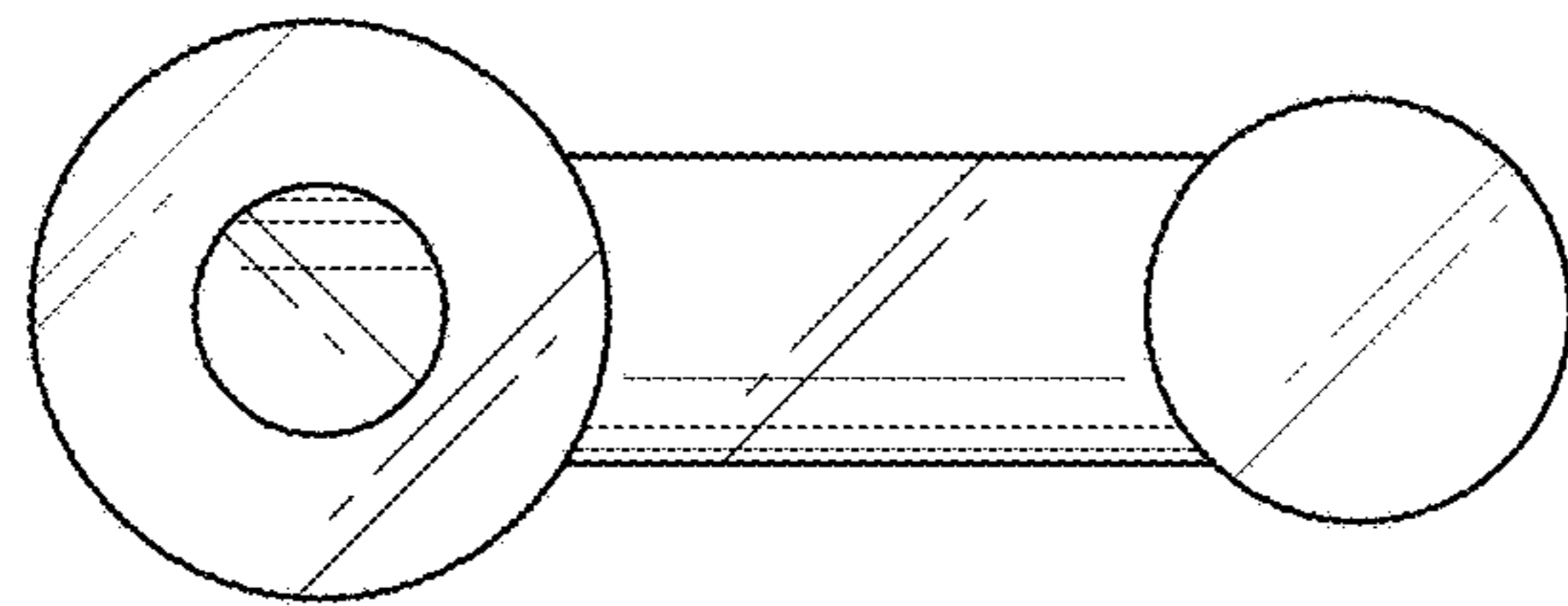


FIG. 4

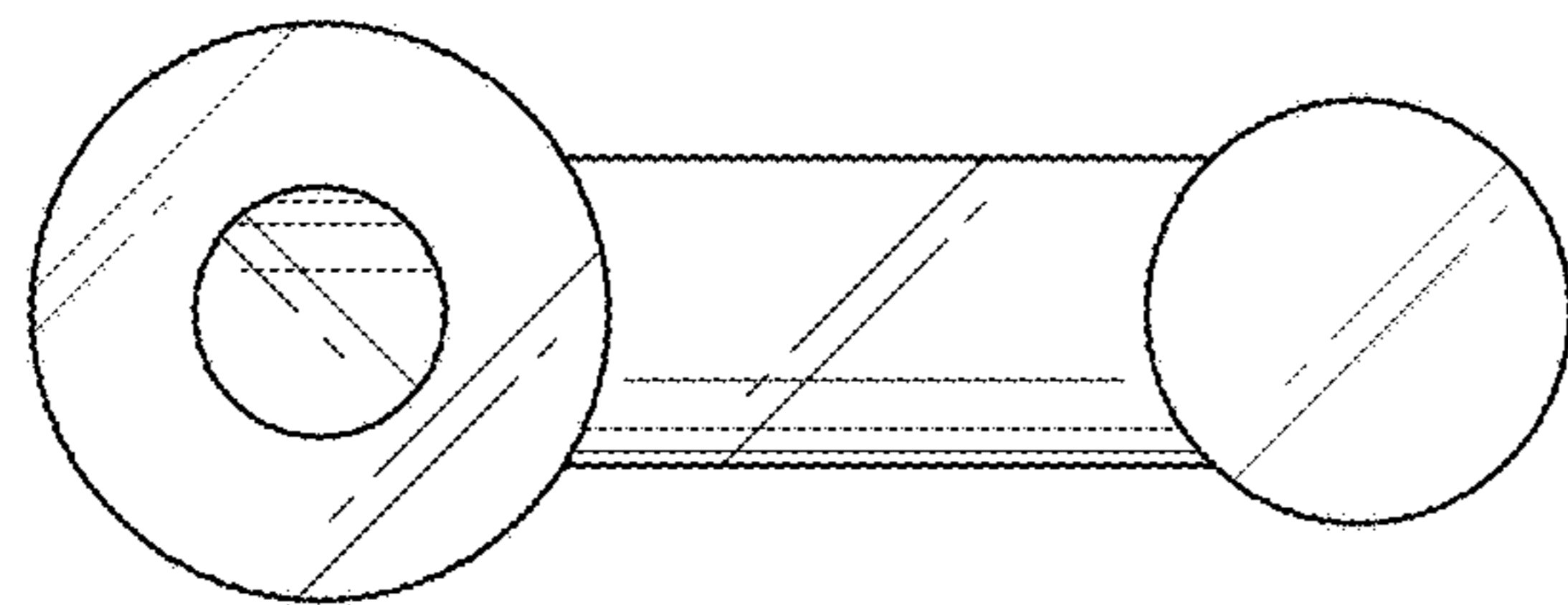


FIG. 5

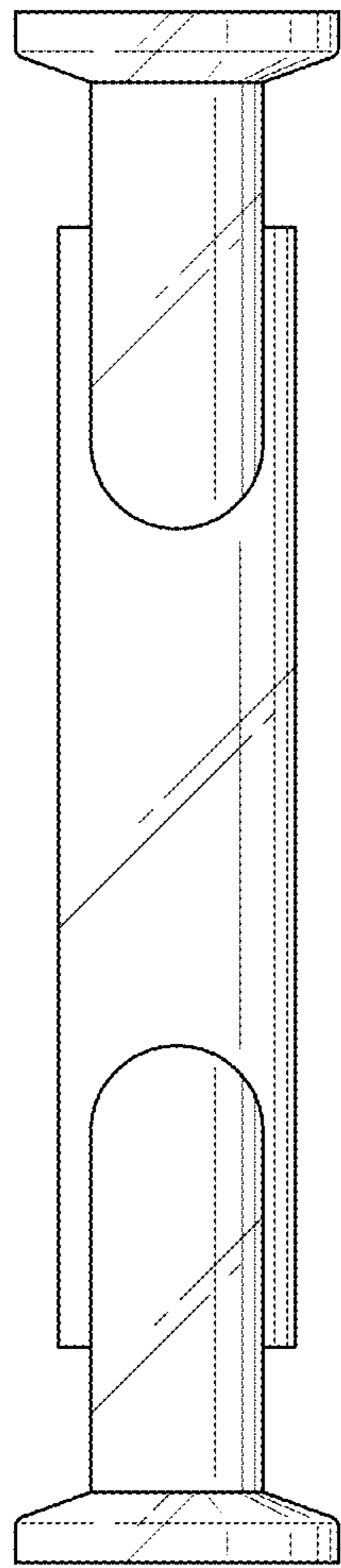


FIG. 6

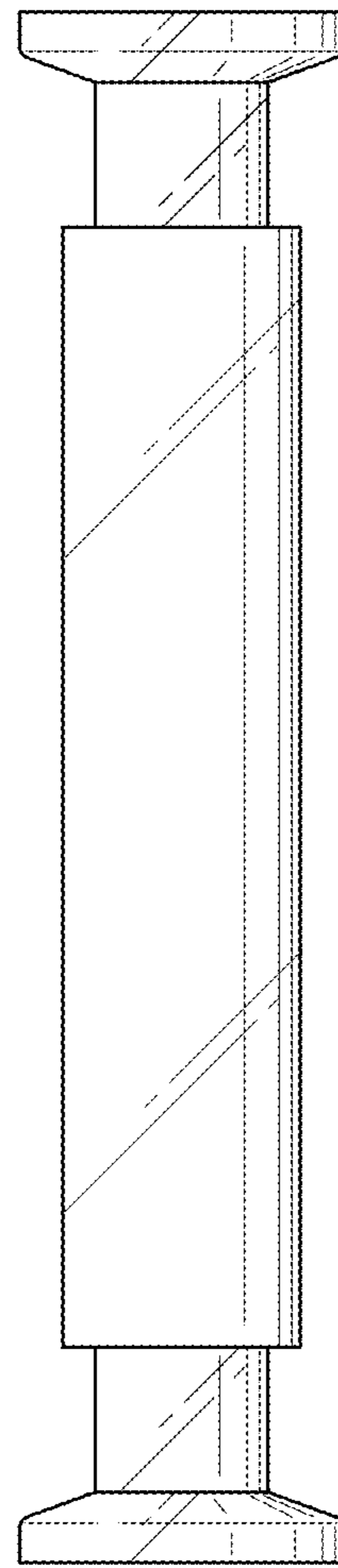


FIG. 7

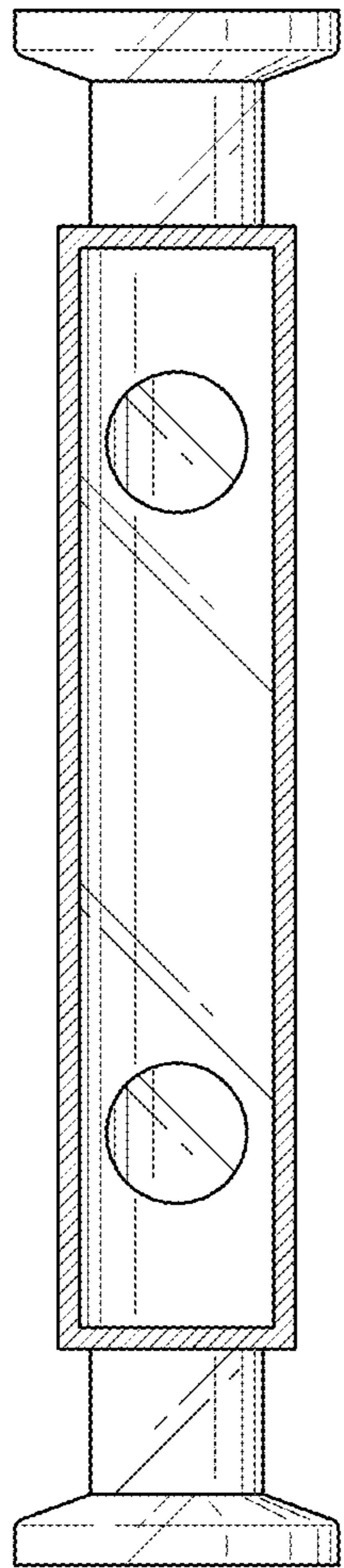


FIG. 8

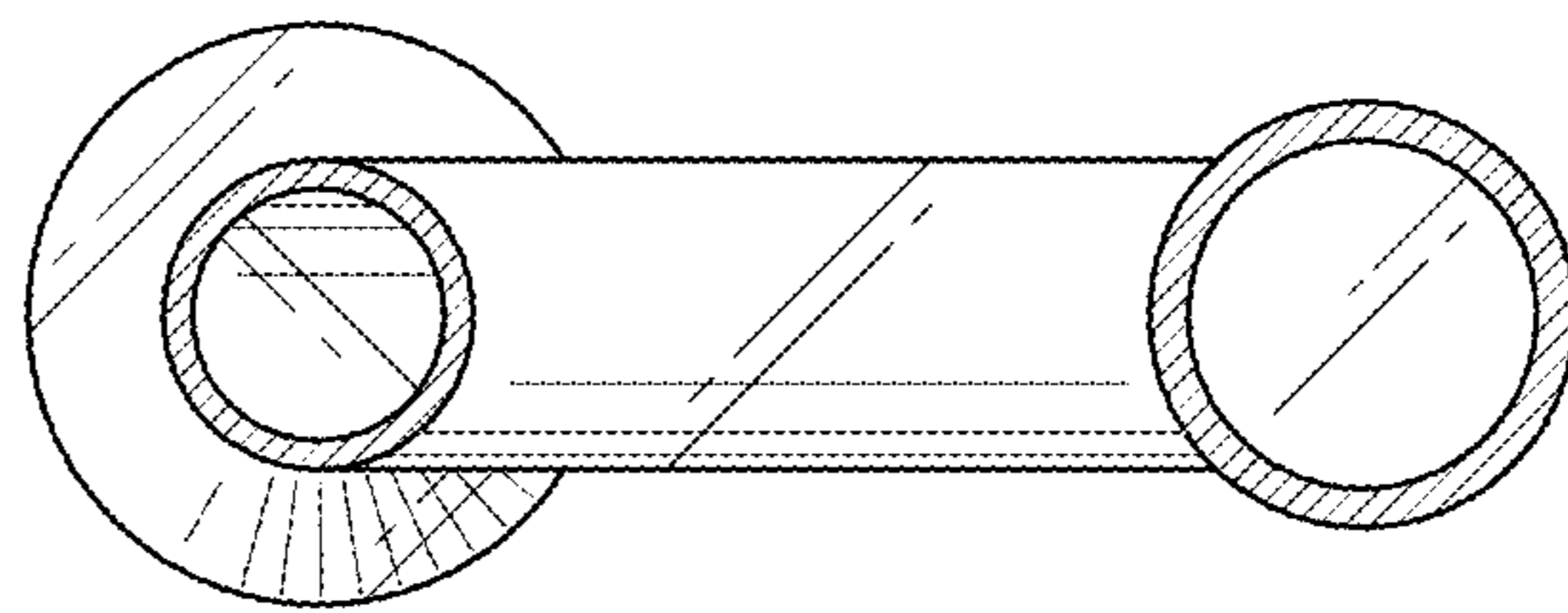


FIG. 9