



US00D813064S

(12) **United States Design Patent** (10) **Patent No.:** **US D813,064 S**
Blanton et al. (45) **Date of Patent:** **** Mar. 20, 2018**

(54) **VOLTAGE INDICATOR LIGHTING ARRANGEMENT**

(71) Applicant: **Panduit Corp.**, Tinley Park, IL (US)

(72) Inventors: **Derek W. Blanton**, Canton, GA (US);
Michael Scott Adams, Cumming, GA (US)

(73) Assignee: **Panduit Corp.**, Tinley Park, IL (US)

(**) Term: **15 Years**

(21) Appl. No.: **29/578,088**

(22) Filed: **Sep. 19, 2016**

(51) **LOC (11) Cl.** **10-04**

(52) **U.S. Cl.**
USPC **D10/80; D10/103**

(58) **Field of Classification Search**
USPC D10/74, 80, 102, 103
CPC .. G01R 13/02; G01R 13/0281; G01R 19/155;
G01R 19/145; G01R 27/2682; G01R 31/026; G01R 31/3682; G01R 31/31912;
G01R 31/31914; G01R 31/3274
See application file for complete search history.

(56) **References Cited**

U.S. PATENT DOCUMENTS

3,141,128 A 7/1964 Berh
4,870,343 A 9/1989 Dooley et al.

5,814,997 A 9/1998 Bouchez
5,867,019 A 2/1999 Malenko et al.
5,986,557 A 11/1999 Clarke
D473,151 S * 4/2003 Shaland D10/103
6,703,938 B1 3/2004 Clarke
7,319,315 B2 1/2008 Martin
8,013,613 B2 9/2011 Allen, Jr.
D717,681 S * 11/2014 Shail D10/103
2016/0313386 A1* 10/2016 Bugaris G01R 19/155

* cited by examiner

Primary Examiner — Antoine Duval Davis

(74) *Attorney, Agent, or Firm* — Christopher S. Clancy;
James H. Williams; Christopher K. Marlow

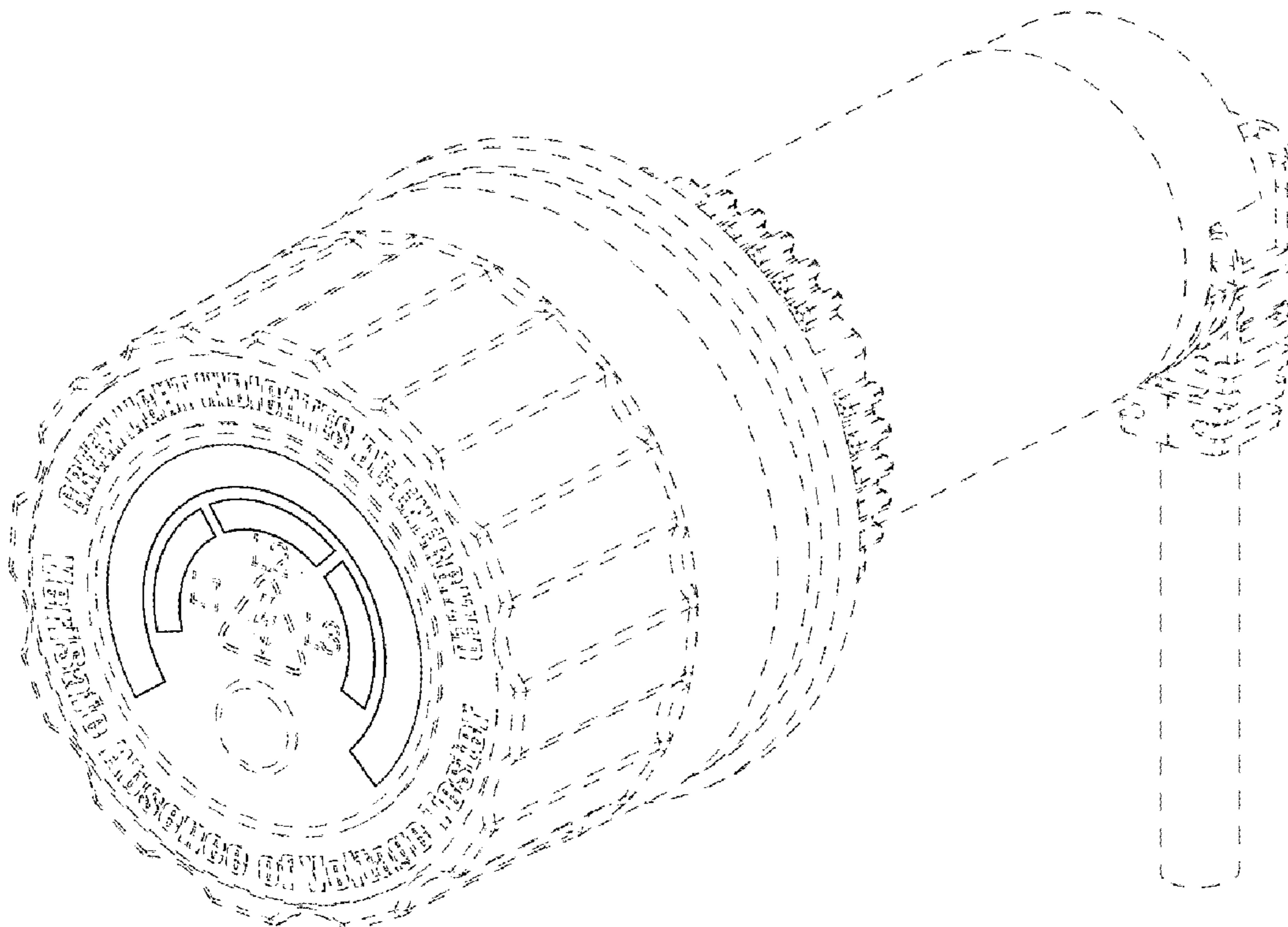
(57) **CLAIM**

The ornamental arrangement of a voltage indicator lighting arrangement, as shown and described.

DESCRIPTION

FIG. 1 is a front view of a voltage indicator lighting arrangement.
FIG. 2 is an isometric view of the voltage indicator lighting arrangement of FIG. 1; and,
FIG. 3 is an isometric view of the voltage indicator lighting arrangement inserted into a door of a cabinet.
The details shown in broken lines are for illustrative purposes only and form no part of the claimed design.

1 Claim, 3 Drawing Sheets



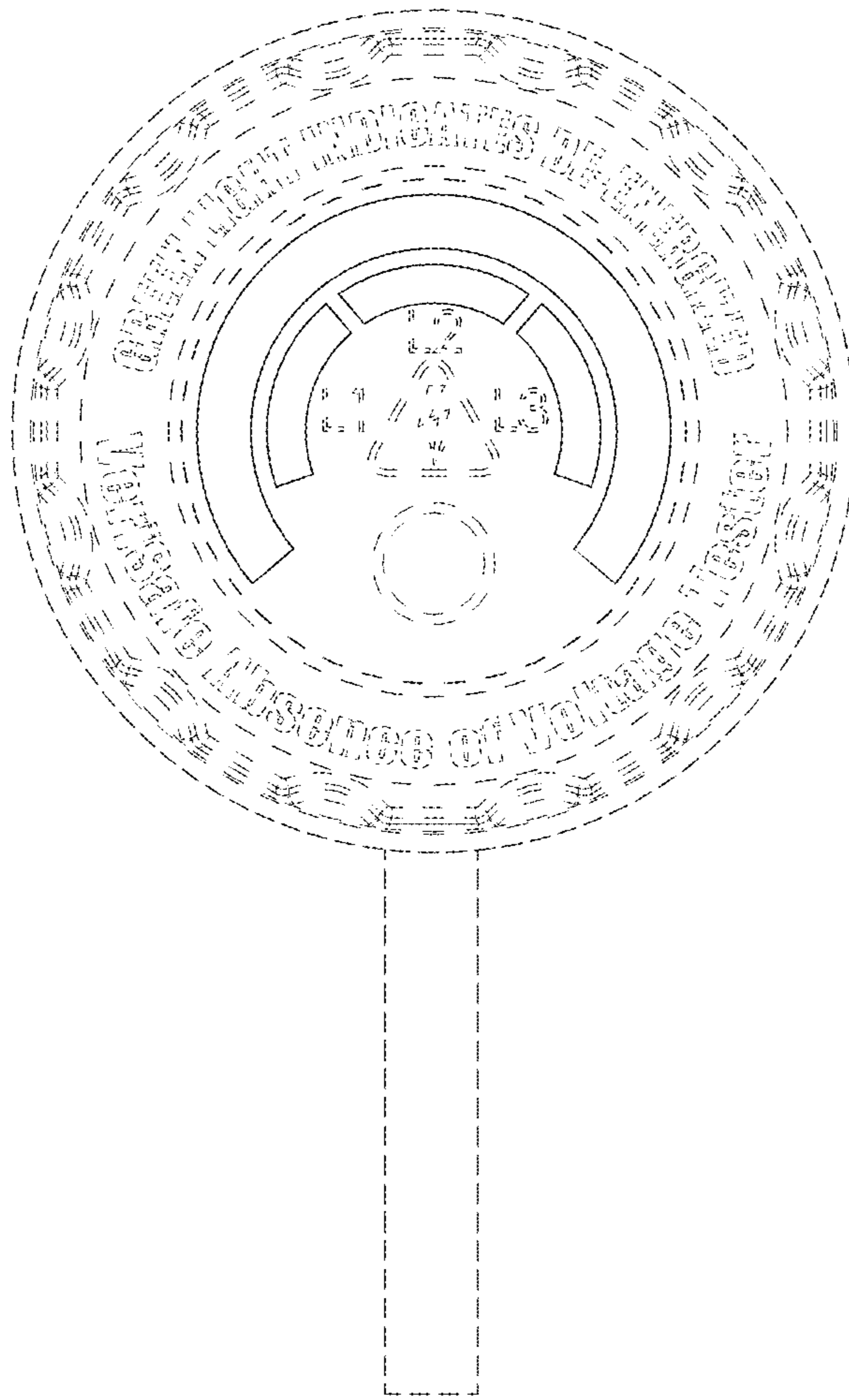


Fig.1

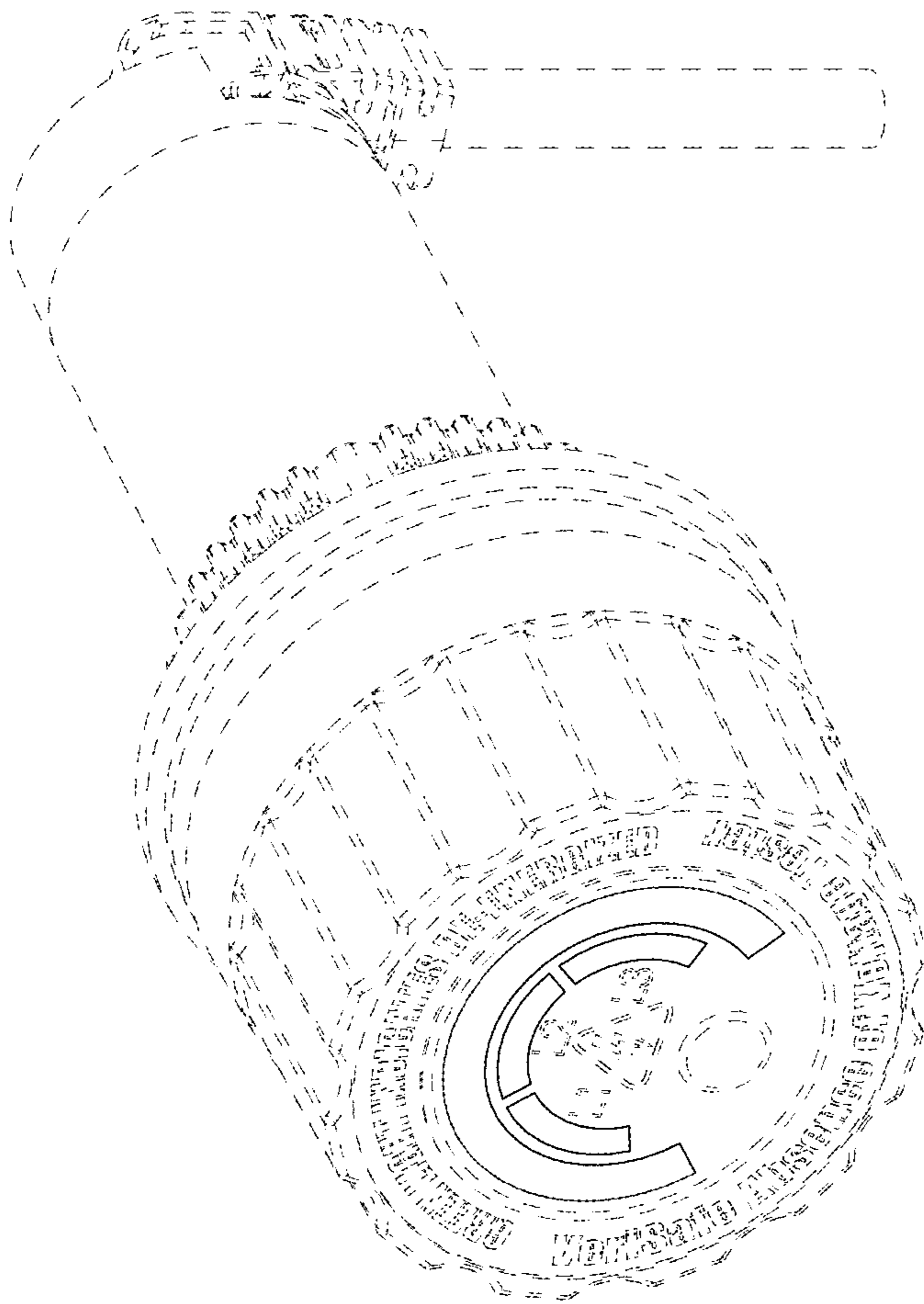


Fig.2

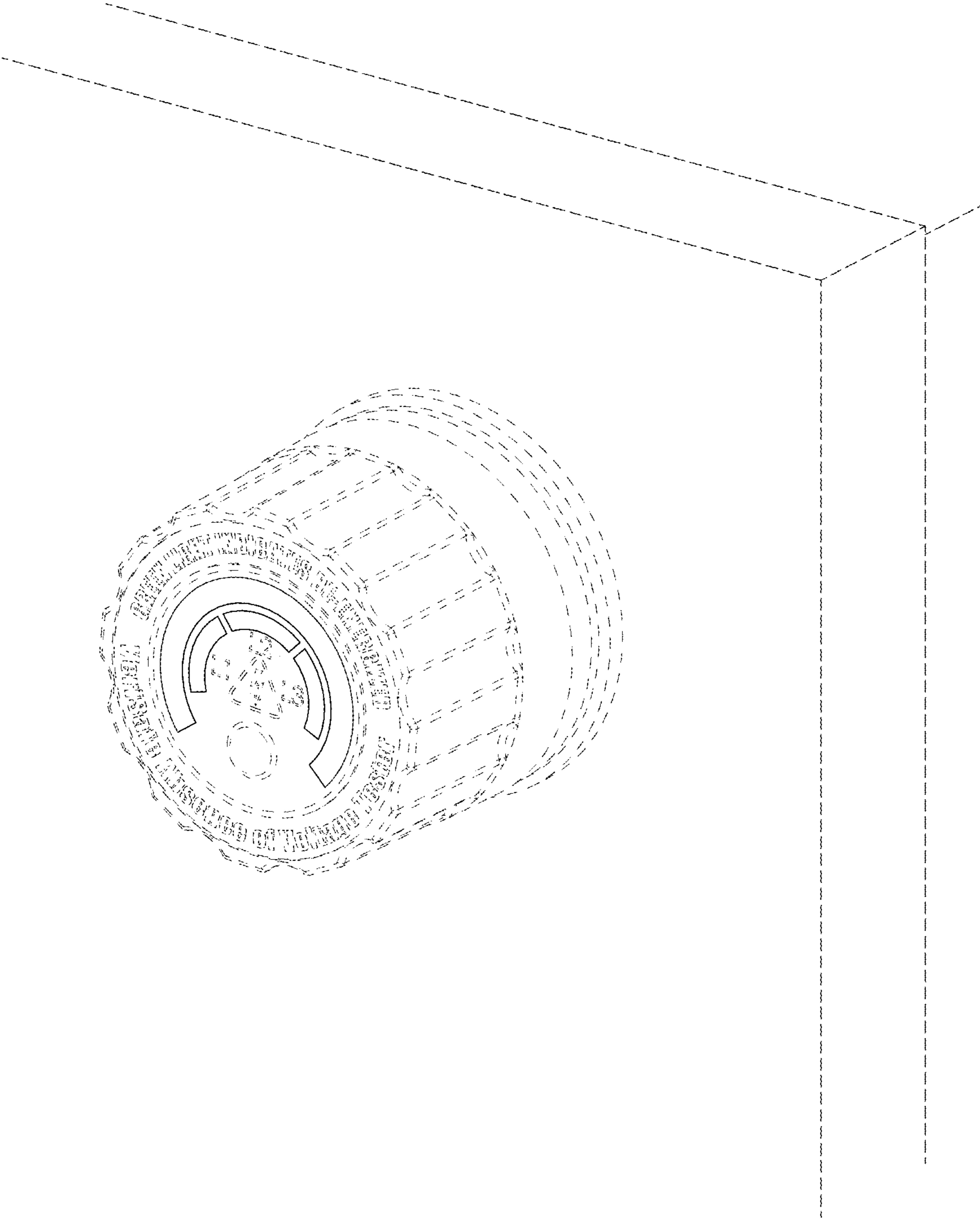


Fig.3