



US00D813062S

(12) **United States Design Patent**
He

(10) **Patent No.:** **US D813,062 S**
(45) **Date of Patent:** **** Mar. 20, 2018**

(54) **HAND HELD LASER RANGE FINDER**

(56) **References Cited**

(71) Applicant: **DONGGUAN SNDWAY ELECTRONIC CO.,LTD.**, Dongguan, Guangdong (CN)

U.S. PATENT DOCUMENTS

D594,359 S * 6/2009 Aglassinger D10/70
D607,353 S * 1/2010 Hackenberg D10/70
7,978,314 B2 * 7/2011 Henschel G01C 3/02
356/4.01
D692,329 S * 10/2013 Burkandt D10/70

(72) Inventor: **Gang He**, Guangdong (CN)

* cited by examiner

(73) Assignee: **DONGGUAN SNDWAY ELECTRONIC CO., LTD.**, Dongguan, Guangdong (CN)

Primary Examiner — Antoine Duval Davis

(**) Term: **15 Years**

(57) **CLAIM**

(21) Appl. No.: **29/548,594**

The ornamental design for a hand held laser range finder, as shown and described.

(22) Filed: **Dec. 15, 2015**

DESCRIPTION

(51) **LOC (11) Cl.** **10-04**

FIG. 1 is a perspective view of a hand held laser range finder, showing my new design.

(52) **U.S. Cl.**

FIG. 2 is a front elevational view thereof.

USPC **D10/70; D10/78**

FIG. 3 is a rear elevational view thereof.

(58) **Field of Classification Search**

USPC **D10/70, 78**

FIG. 4 is a left side elevational view thereof.

CPC ... **G01C 3/00; G01C 3/02; G01C 3/04; G01C**

FIG. 5 is a right side elevational view thereof.

3/06; G01C 3/08; G01C 3/085; G01C

FIG. 6 is a top plan view thereof; and,

3/10; G01C 3/12; G01C 3/16; G01C

FIG. 7 is a bottom plan view thereof.

3/14; G01C 3/18; G01C 3/20; G01C

The broken lines depict portions of the hand held laser range finder in which the design is embodied that form no part of claimed design.

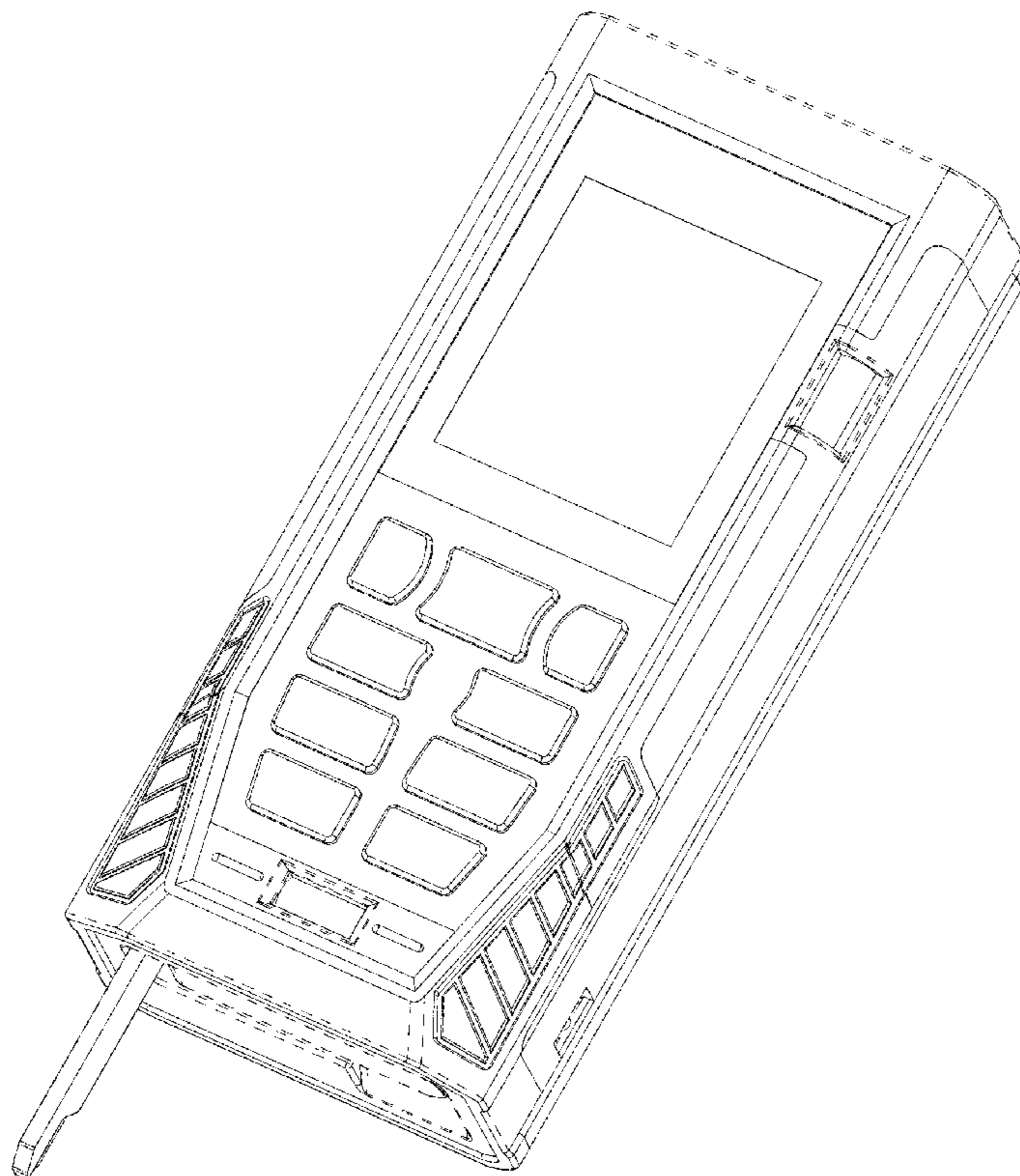
3/22; G01C 3/24; G01C 3/26; G01C

3/28; G01C 3/30; G01C 3/32; G01S

7/4813

See application file for complete search history.

1 Claim, 7 Drawing Sheets



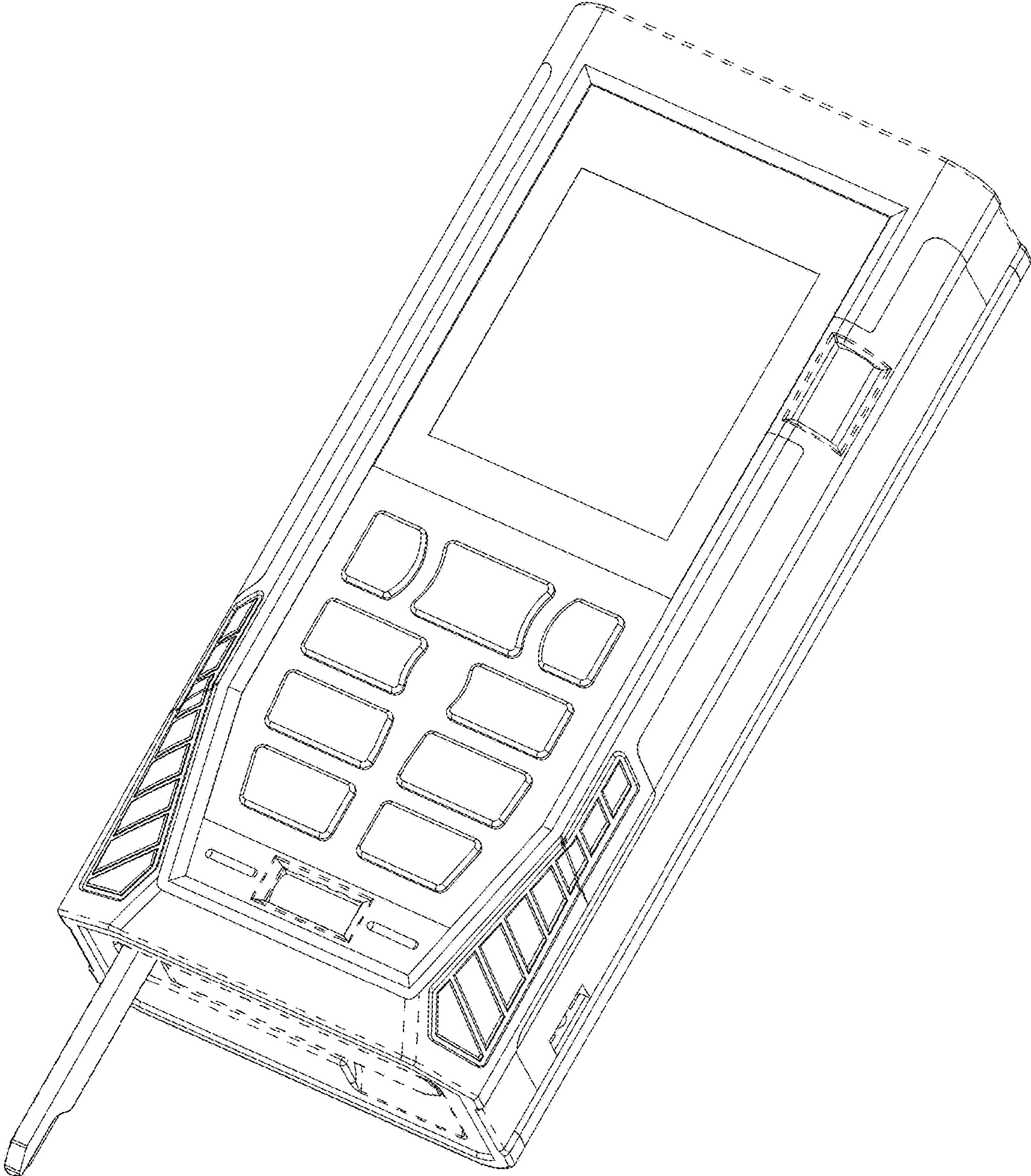


Fig. 1

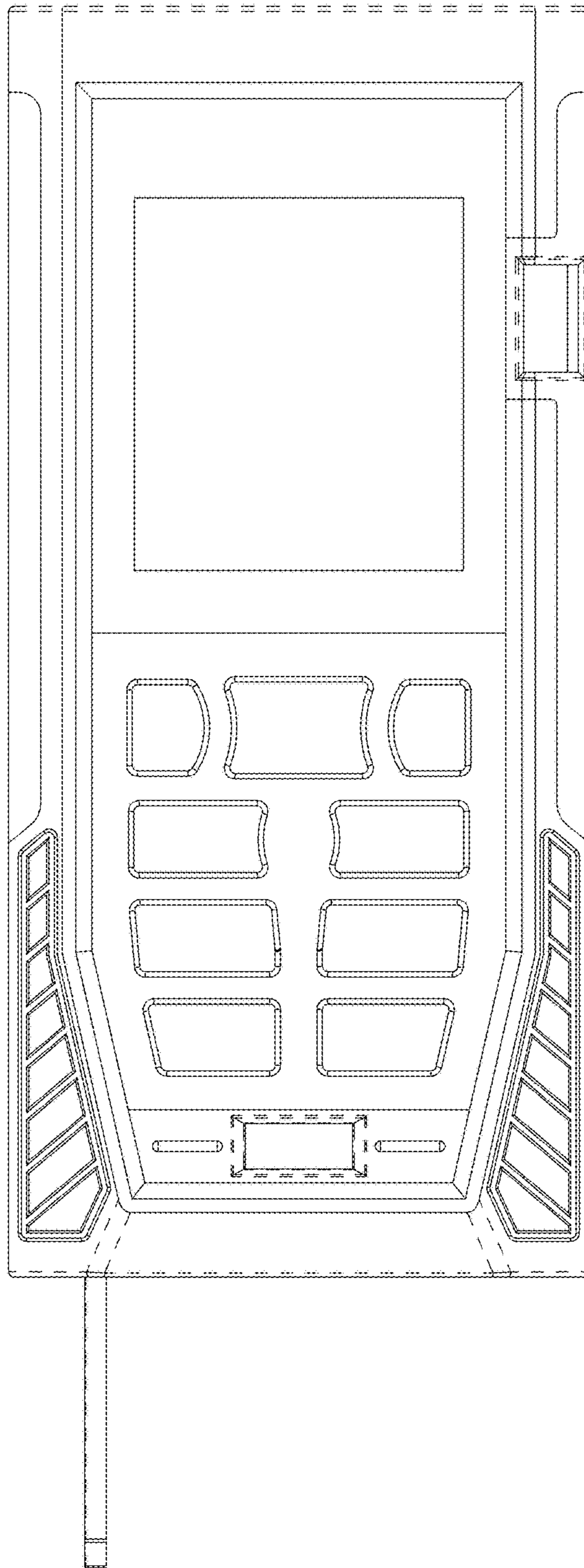


Fig. 2

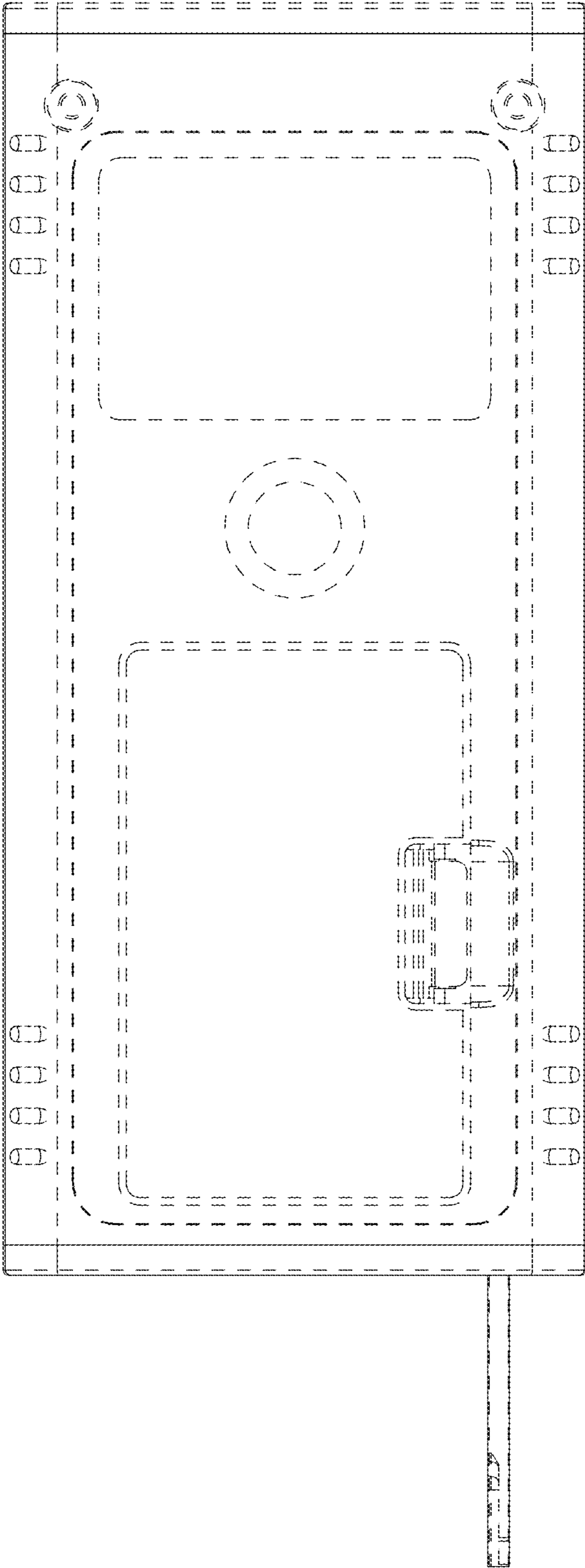


Fig. 3

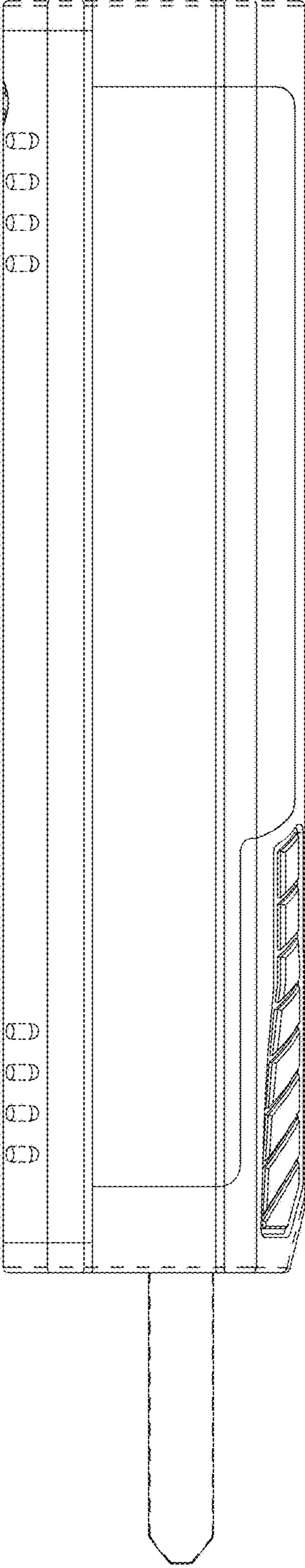


Fig. 4

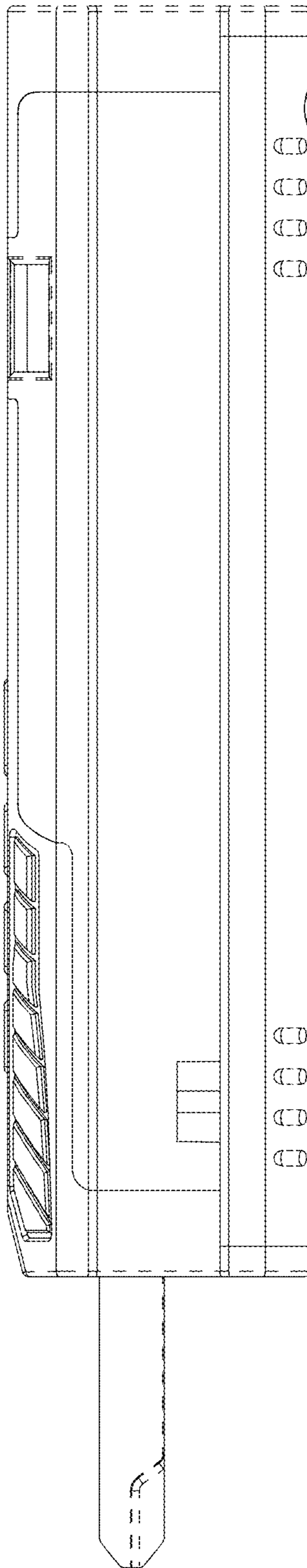


Fig. 5

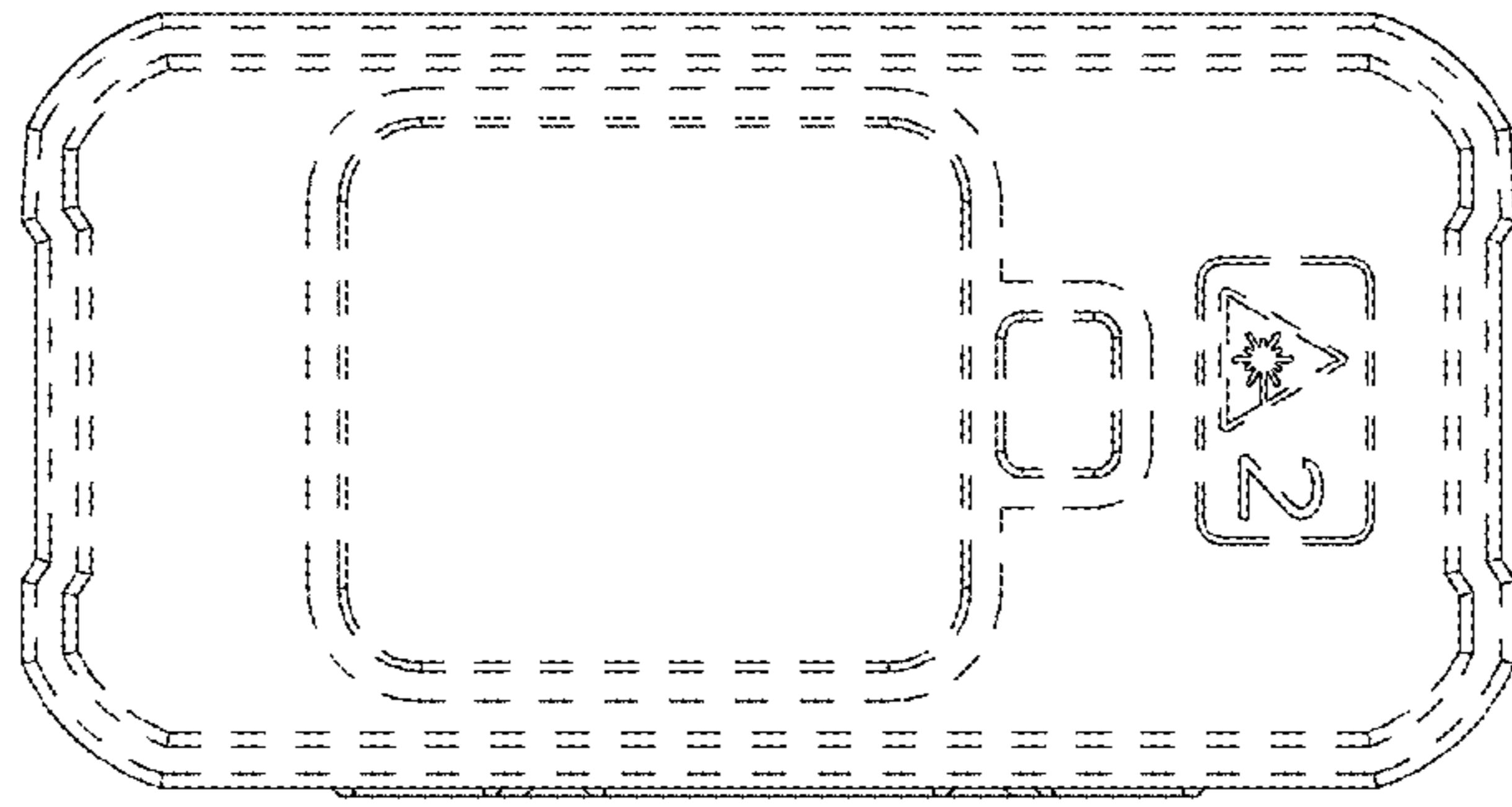


Fig. 6

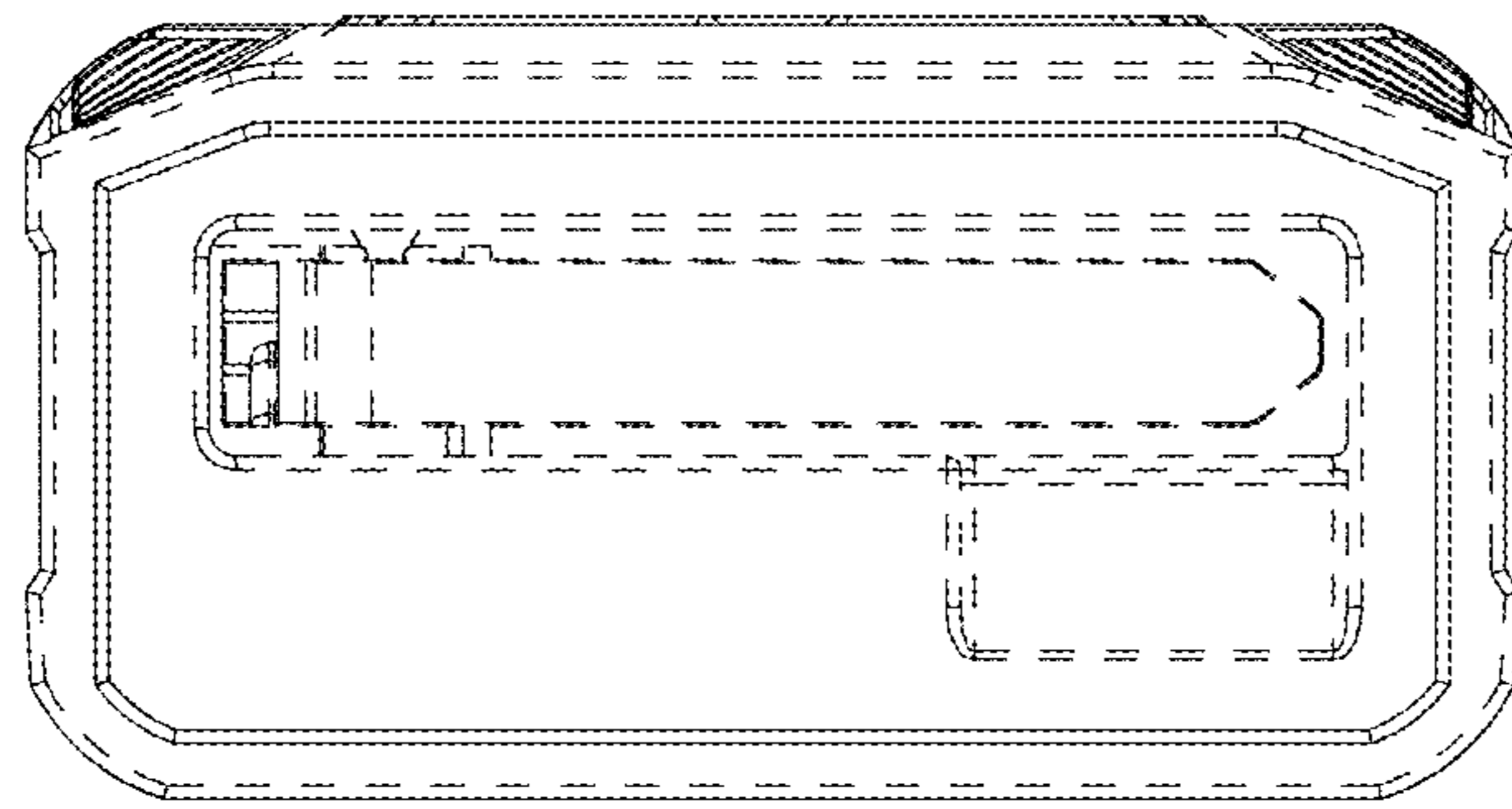


Fig. 7