



US00D813061S

(12) **United States Design Patent**  
**Kikstra et al.**

(10) **Patent No.:** **US D813,061 S**  
(45) **Date of Patent:** **\*\* Mar. 20, 2018**

- (54) **TAPERED SENSOR COVER**
- (71) Applicants: **Leonard Kikstra**, Jackson, WI (US);  
**Matthew Sveum**, Wauwatosa, WI (US);  
**Peter K. Rusch**, Brownsville, WI (US)
- (72) Inventors: **Leonard Kikstra**, Jackson, WI (US);  
**Matthew Sveum**, Wauwatosa, WI (US);  
**Peter K. Rusch**, Brownsville, WI (US)
- (73) Assignee: **RITE-HITE HOLDING CORPORATION**, Milwaukee, WI (US)
- (\*\*) Term: **15 Years**
- (21) Appl. No.: **29/533,642**
- (22) Filed: **Jul. 20, 2015**
- (51) **LOC (11) Cl.** ..... **10-04**
- (52) **U.S. Cl.**  
USPC ..... **D10/70; D10/106.6**
- (58) **Field of Classification Search**  
USPC ..... D6/657, 660-662, 662.1, 671, 671.1,  
D6/691.8; D10/65, 70, 106.6; D13/162;  
D16/200, 202  
CPC ..... A47B 17/04; A47B 47/03; A47B 81/06;  
A47B 83/00; A47F 3/00; A47F 3/005;  
A47F 5/0807  
See application file for complete search history.

- D669,440 S \* 10/2012 Wu ..... D13/162
  - 8,368,536 B2 2/2013 Fawcett
  - D720,245 S \* 12/2014 Neigher ..... D10/65
  - D733,596 S 7/2015 Goodner
  - 9,091,100 B2 7/2015 Yang
  - D775,537 S \* 1/2017 Kikstra ..... D10/106.6
- (Continued)

**OTHER PUBLICATIONS**

United States Patent and Trademark Office, "Notice of Allowance", issued in connection with U.S. Appl. No. 29/533,640, dated Oct. 13, 2016, 20 pages.

(Continued)

*Primary Examiner* — Ricky Pham

(74) *Attorney, Agent, or Firm* — Hanley, Flight & Zimmerman, LLC

(57) **CLAIM**

The ornamental design for a "tapered sensor cover," as shown and described in FIGS. 1-7.

**DESCRIPTION**

FIG. 1 is a front right perspective view of a tapered sensor cover.

FIG. 2 is a front view of the tapered sensor cover of FIG. 1.

FIG. 3 is a rear view of the tapered sensor cover of FIG. 1.

FIG. 4 is a right side view of the tapered sensor cover of FIG. 1.

FIG. 5 is a left side view of the tapered sensor cover of FIG. 1.

FIG. 6 is a top view of the tapered sensor cover of FIG. 1; and,

FIG. 7 is a bottom view of the tapered sensor cover of FIG. 1.

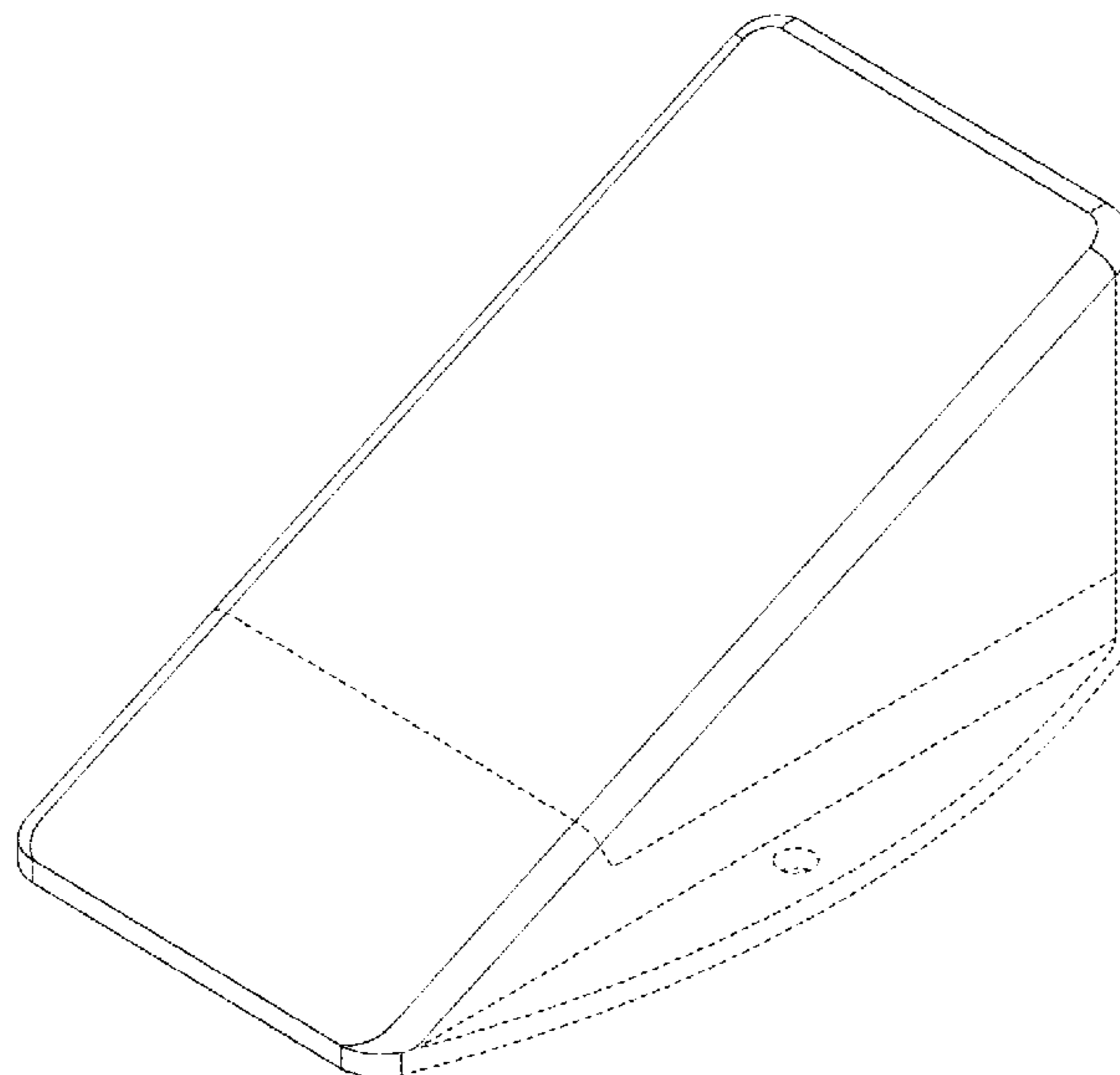
The features shown in broken lines form no part of the claimed design.

**1 Claim, 3 Drawing Sheets**

(56) **References Cited**

**U.S. PATENT DOCUMENTS**

- D297,717 S 9/1988 Chu
- D501,494 S \* 2/2005 Ogura ..... D16/202
- D524,834 S \* 7/2006 Dozier ..... D16/200
- 7,737,843 B2 6/2010 Belden, Jr.
- 7,737,844 B2 6/2010 Scott
- D656,047 S \* 3/2012 Dyer ..... D10/70
- D656,848 S \* 4/2012 Mosher ..... D10/70



(56)

**References Cited**

U.S. PATENT DOCUMENTS

D778,184 S \* 2/2017 Kikstra ..... D10/106.6  
D788,625 S \* 6/2017 Hsieh ..... D10/106.6  
D796,975 S \* 9/2017 Jou ..... D10/106.6

OTHER PUBLICATIONS

United States Patent and Trademark Office, "Non-Final Office action", issued in connection with U.S. Appl. No. 29/533,640, dated Jul. 15, 2016, 19 pages.

United States Patent and Trademark Office, "Non-Final Office Action," issued in connection with U.S. Appl. No. 29/528,181, dated May 11, 2016, 16 pages.

United States Patent and Trademark Office, "Notice of Allowance", issued in connection with U.S. Appl. No. 29/528,181, dated Aug. 24, 2016, 17 pages.

\* cited by examiner

FIG. 1

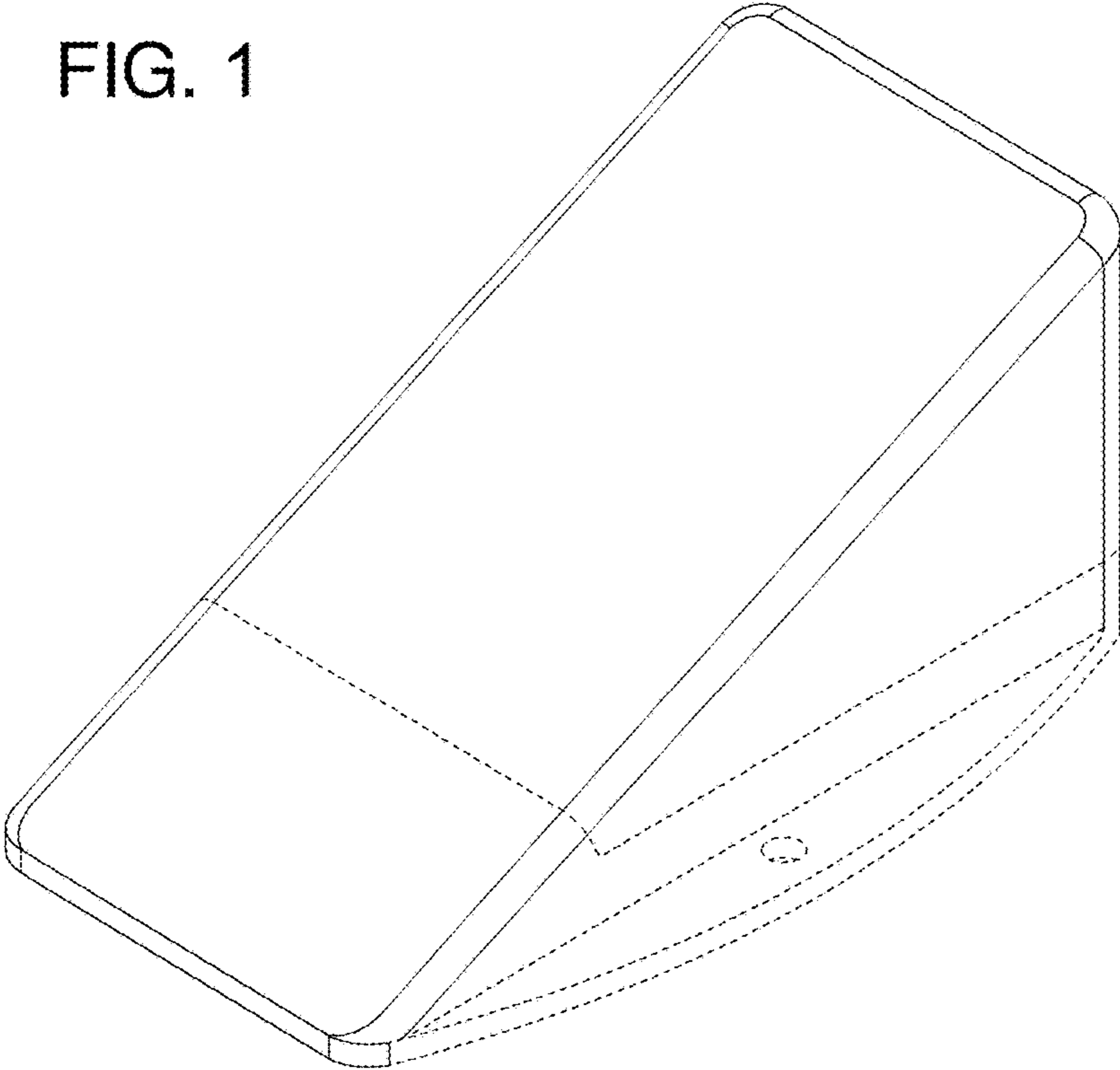


FIG. 2

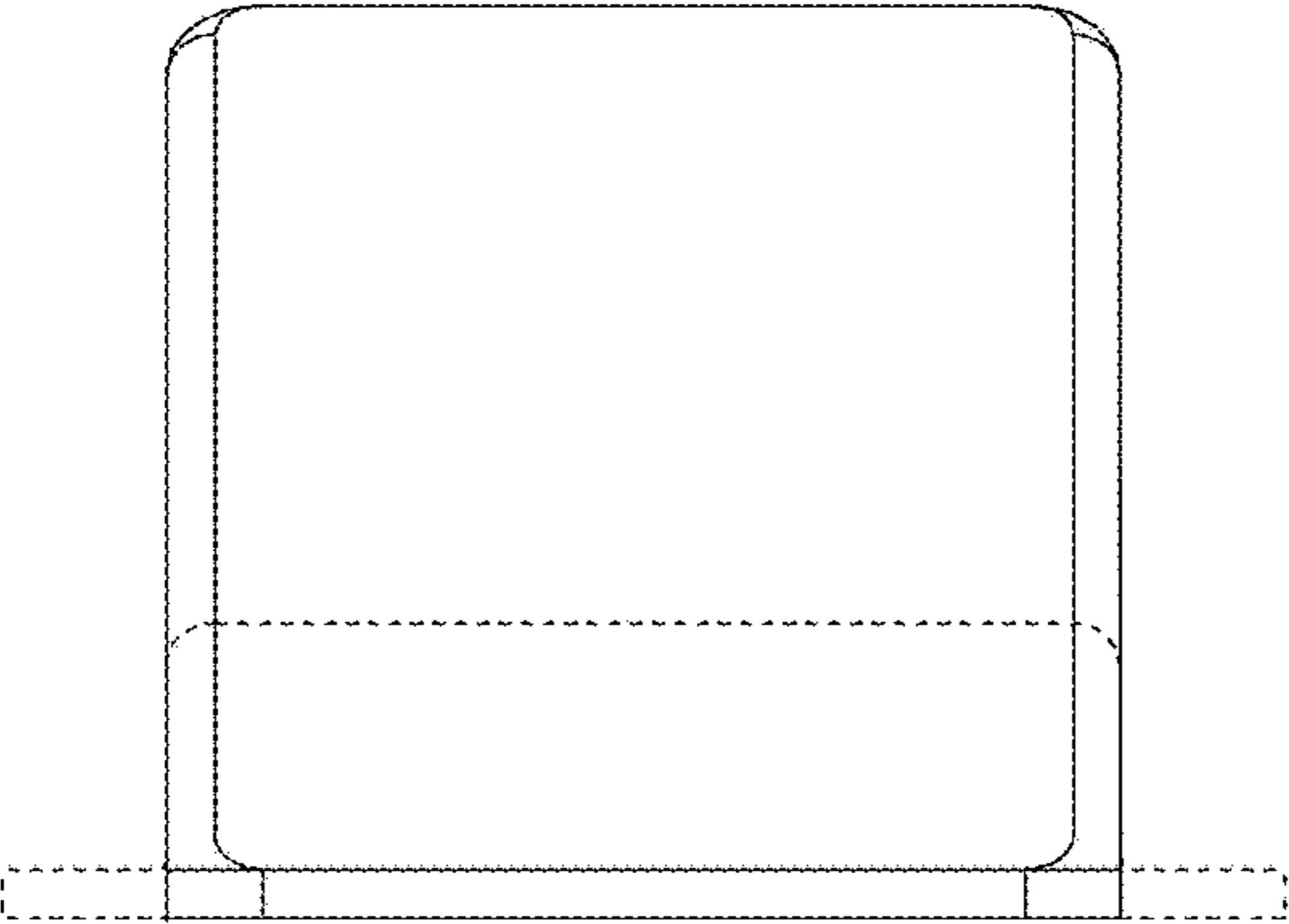


FIG. 3

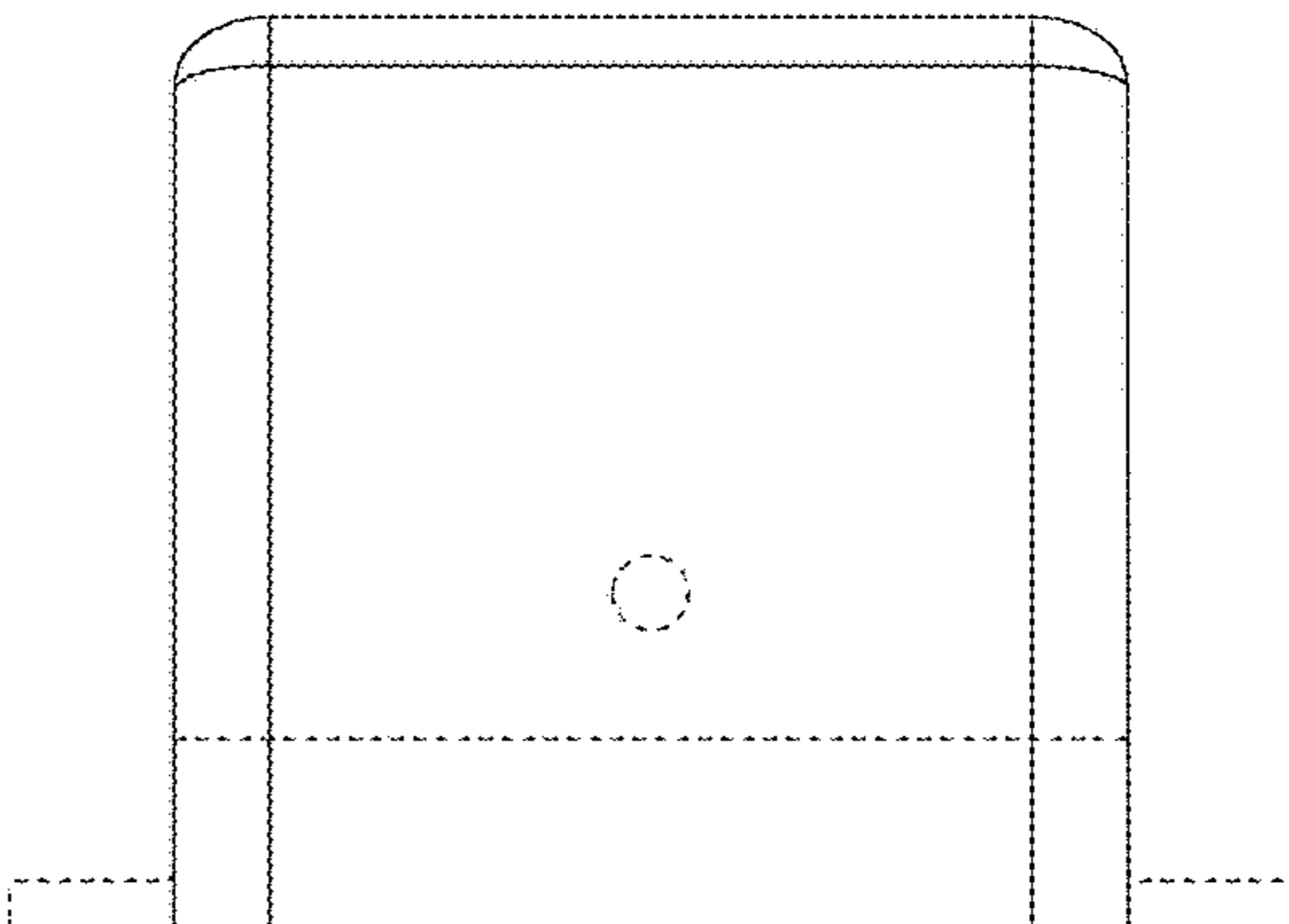


FIG. 4

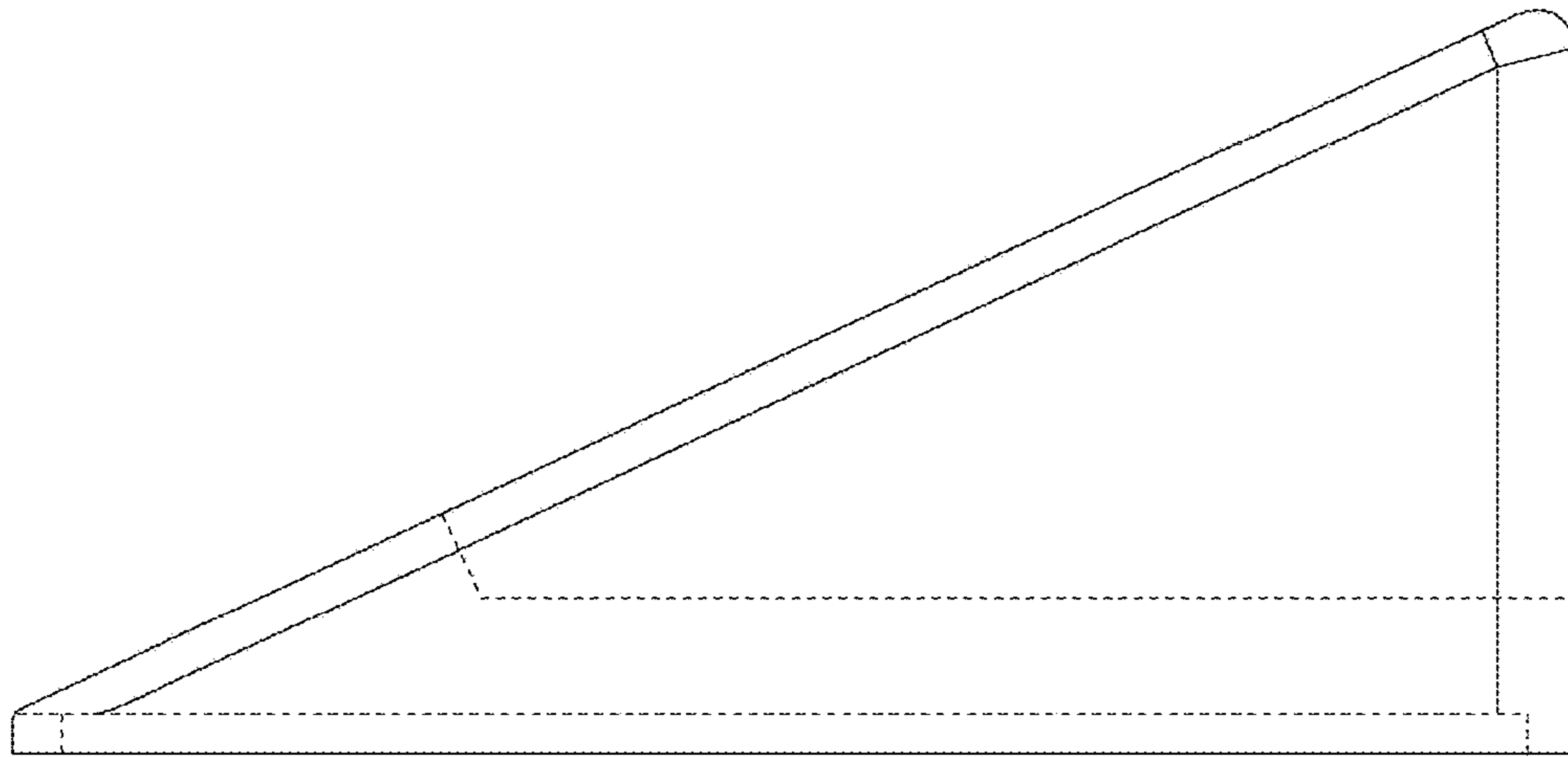


FIG. 5

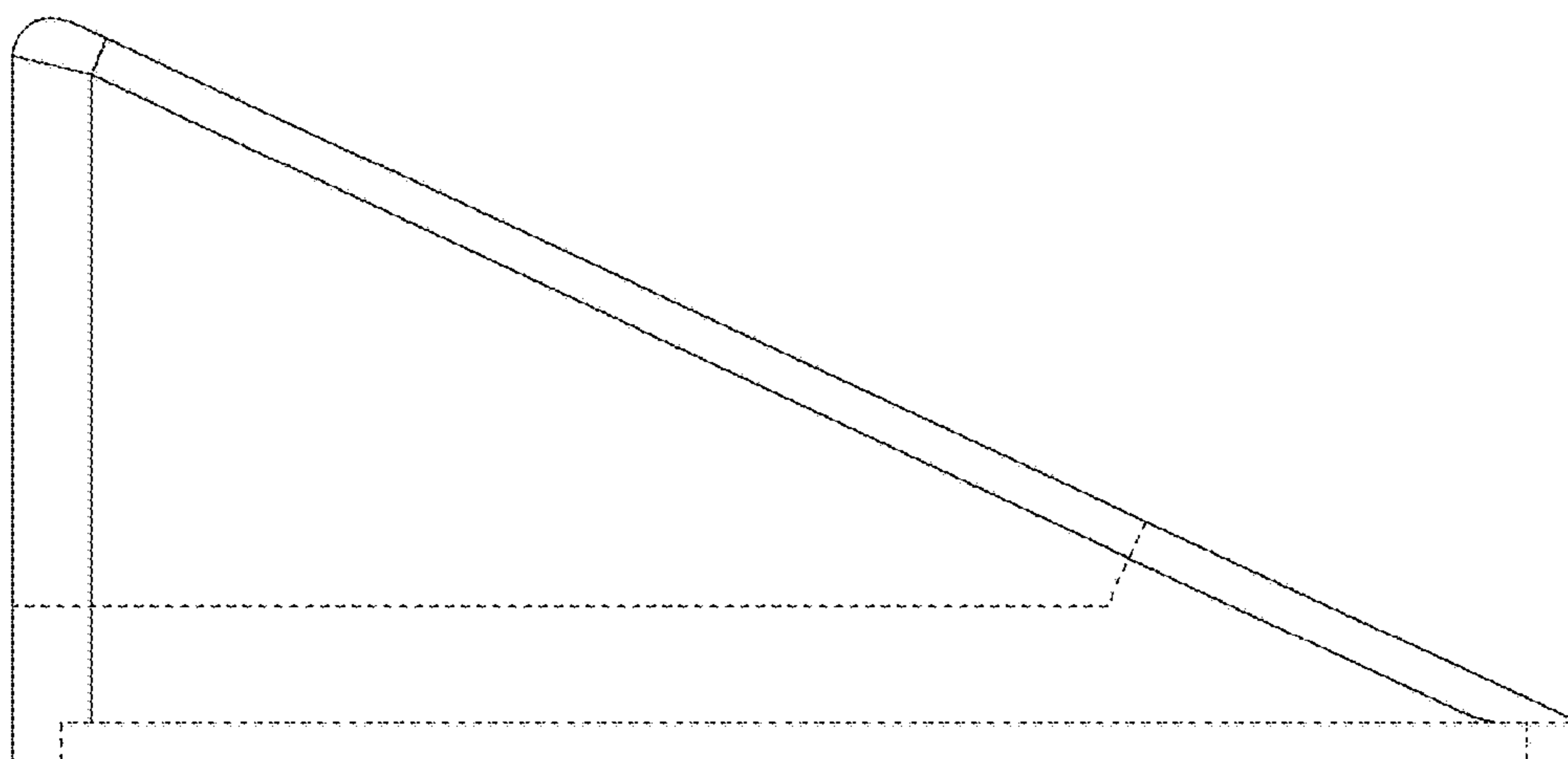


FIG. 6

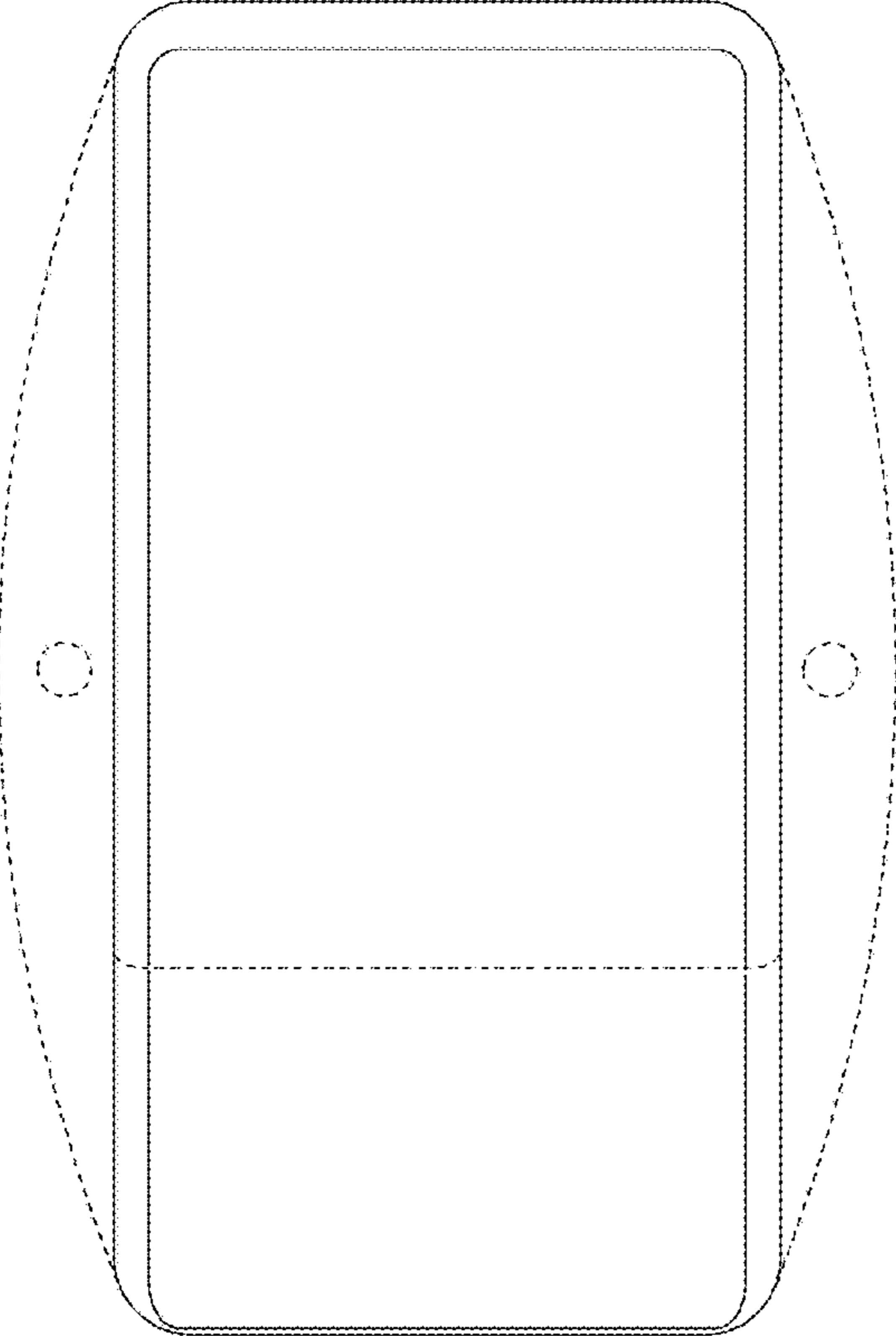


FIG. 7

