



US00D813060S

(12) **United States Design Patent**
Wojciechowski

(10) **Patent No.:** **US D813,060 S**
(45) **Date of Patent:** **** Mar. 20, 2018**

- (54) **WOOD LEVEL WITH BLOCK VIALS**
- (71) Applicant: **Diamond Tech LLC**, Carson City, NV (US)
- (72) Inventor: **Timothy J. Wojciechowski**, Hubertus, WI (US)
- (73) Assignee: **Diamond Tech LLC**, Carson City, NV (US)

- 2,789,363 A 4/1957 Miley
- 2,813,349 A 11/1957 Harris
- 2,944,144 A 7/1960 Naylor
- 3,166,855 A 1/1965 Erritt
- 3,180,855 A 4/1965 Olexson et al.
- D224,663 S 8/1972 de Jong
- D236,959 S 9/1975 Wright
- 4,407,075 A 10/1983 MacDermott et al.
- 4,506,450 A 3/1985 Fleming et al.
- D280,185 S 8/1985 Wright
- 4,829,676 A 5/1989 Waldron

(Continued)

(**) Term: **15 Years**

Primary Examiner — Antoine Duval Davis

(21) Appl. No.: **29/580,161**

(74) *Attorney, Agent, or Firm* — Boyle Fredrickson, S.C.

(22) Filed: **Oct. 6, 2016**

(57) **CLAIM**

(51) **LOC (11) Cl.** **10-04**

The ornamental design of a wood level with block vials, as shown and described.

(52) **U.S. Cl.**

USPC **D10/69**

DESCRIPTION

(58) **Field of Classification Search**

USPC D10/69

CPC . G01C 9/00; G01C 9/005; G01C 9/02; G01C 9/04; G01C 9/06; G01C 9/08; G01C 9/10; G01C 9/12; G01C 9/14; G01C 9/16; G01C 9/18; G01C 9/20; G01C 9/22; G01C 9/24; G01C 9/26; G01C 9/28; G01C 9/30; G01C 9/32; G01C 9/34; G01C 9/36; G01C 2009/005; G01C 2009/062; G01C 2009/064; G01C 2009/066; G01C 2009/068; G01C 2009/102; G01C 2009/105; G01C 2009/107; G01C 2009/182; G01C 2009/185; G01C 2009/187

See application file for complete search history.

FIG. 1 is an isometric view of a first embodiment of a wood level with block vials incorporating my new design, wherein the portions illustrated in phantom form no part of the claimed design;

FIG. 2 is a first side elevation view thereof;

FIG. 3 is second side elevation view thereof;

FIG. 4 is a first end elevation view thereof;

FIG. 5 is a second end elevation view thereof;

FIG. 6 is a top plan view thereof;

FIG. 7 is a bottom plan view thereof;

FIG. 8 is an isometric view of a second embodiment of a wood level with block vials incorporating my new design, wherein the portions illustrated in phantom form no part of the claimed design;

FIG. 9 is a first side elevation view thereof;

FIG. 10 is a second side elevation view thereof;

FIG. 11 is a first end elevation view thereof;

FIG. 12 is a second end elevation view thereof;

FIG. 13 is a top plan view thereof; and,

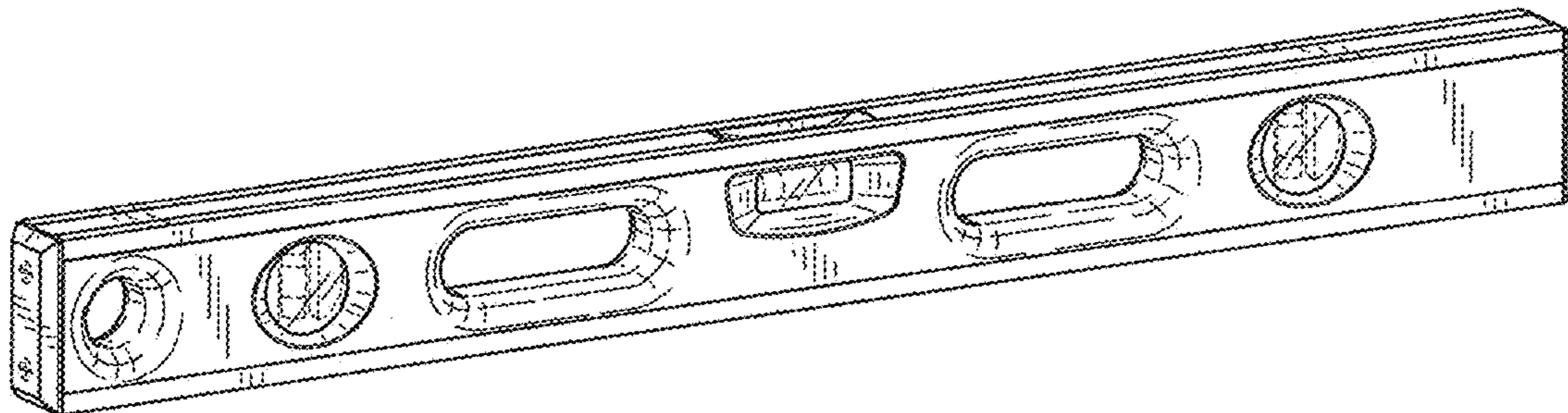
FIG. 14 is a bottom plan view thereof.

(56) **References Cited**

U.S. PATENT DOCUMENTS

- 1,061,638 A 5/1913 McGrath
- 2,541,880 A 2/1951 McMillan et al.
- D168,401 S 12/1952 Harris
- 2,634,509 A 4/1953 Roberts

1 Claim, 6 Drawing Sheets



(56)

References Cited

U.S. PATENT DOCUMENTS

| | | | | |
|-----------|-----|---------|----------------------|--------|
| D301,553 | S | 6/1989 | Makofsky et al. | |
| 4,876,798 | A | 10/1989 | Zimmerman | |
| 5,103,569 | A | 4/1992 | Leatherwood | |
| 5,105,549 | A | 4/1992 | Johnson | |
| D332,226 | S | 1/1993 | Hutchins et al. | |
| D355,134 | S | 2/1995 | Kennedy | |
| D364,104 | S | 11/1995 | Johnson | |
| D371,309 | S | 7/1996 | Webb | |
| D389,758 | S | 1/1998 | Motamed | |
| 5,755,037 | A | 5/1998 | Stevens | |
| D412,857 | S | 8/1999 | Howard et al. | |
| D438,477 | S | 3/2001 | Douglas | |
| 6,360,446 | B1 | 3/2002 | Bijawat et al. | |
| D469,370 | S | 1/2003 | Gruetzmacher et al. | |
| D479,139 | S | 9/2003 | Kallabis | |
| D493,737 | S | 8/2004 | Nickel | |
| D503,636 | S | 4/2005 | Kim | |
| D521,399 | S | 5/2006 | Johnson et al. | |
| D521,882 | S | 5/2006 | Kim | |
| D536,999 | S | 2/2007 | Chen | |
| D546,214 | S | 7/2007 | Schwartz et al. | |
| D555,523 | S | 11/2007 | Nickel et al. | |
| D563,808 | S | 3/2008 | Schwartz et al. | |
| D573,908 | S * | 7/2008 | Levinson | D10/69 |
| D633,400 | S | 1/2011 | Wojciechowski et al. | |
| D634,221 | S | 3/2011 | Wojciechowski et al. | |
| D735,064 | S | 7/2015 | Wojciechowski et al. | |
| D750,511 | S * | 3/2016 | Wojciechowski | D10/69 |

* cited by examiner

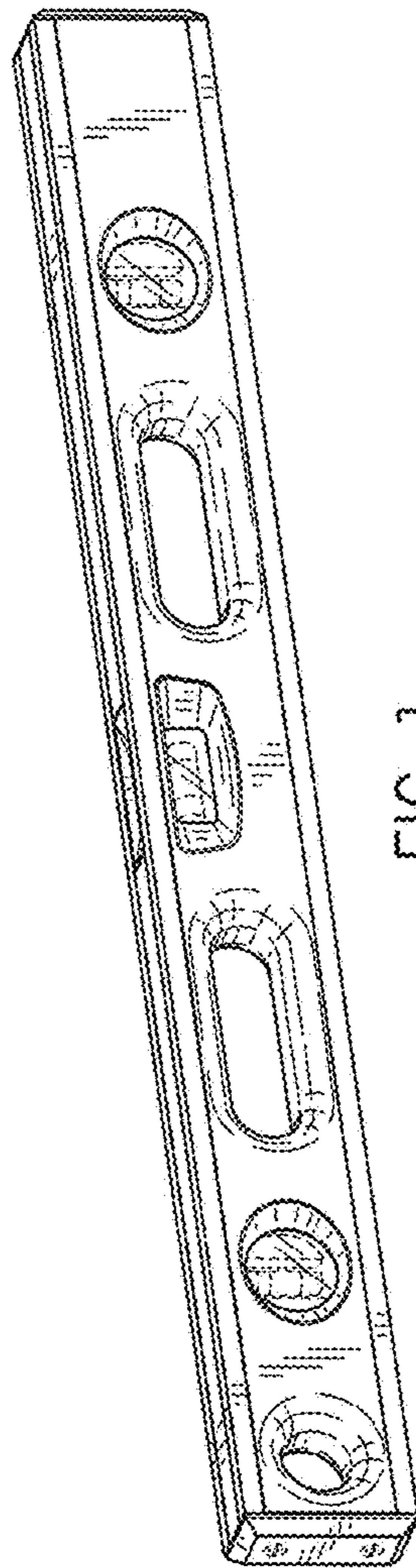


FIG. 1

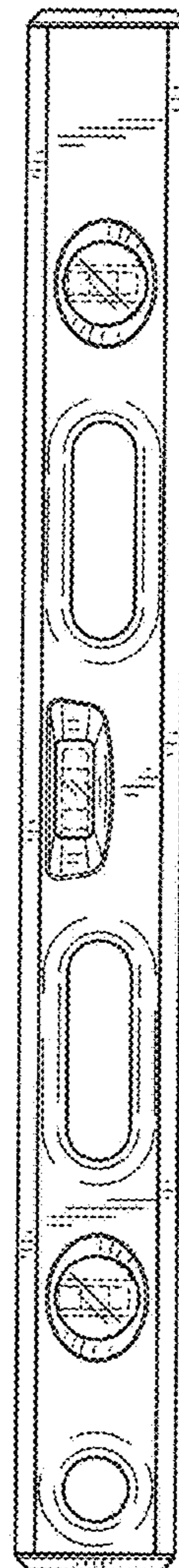


FIG. 2

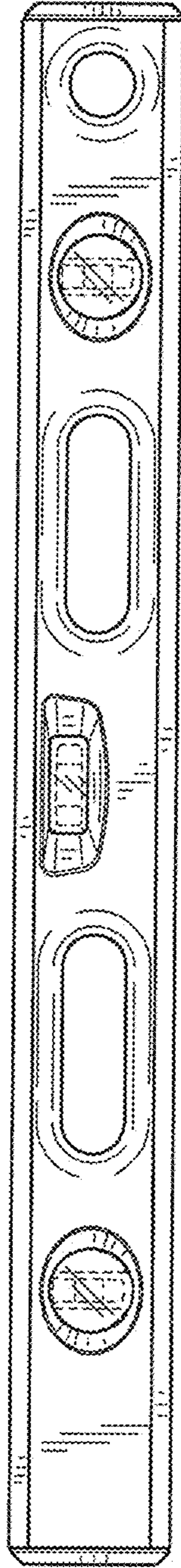


FIG. 3



FIG. 4



FIG. 5

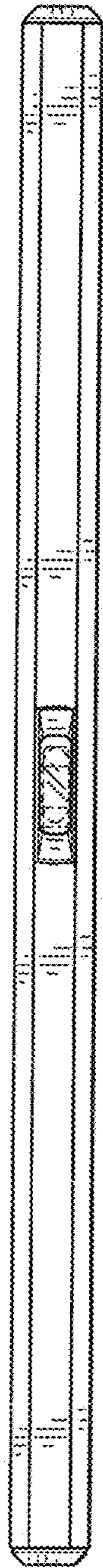


FIG. 6

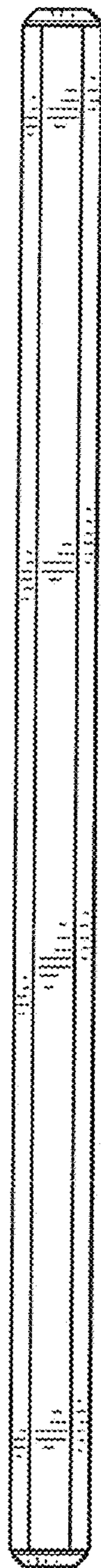


FIG. 7

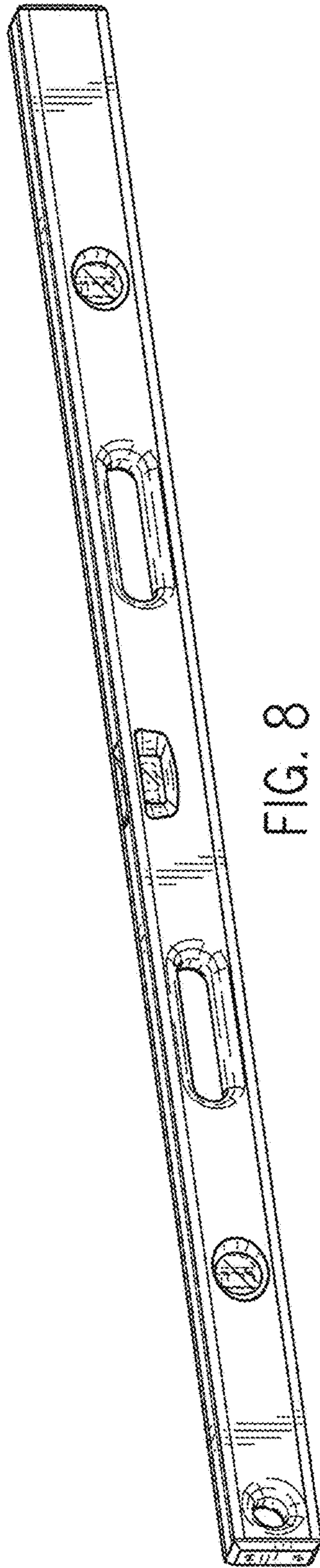


FIG. 8

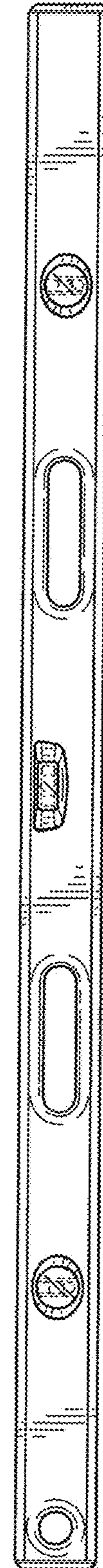


FIG. 9

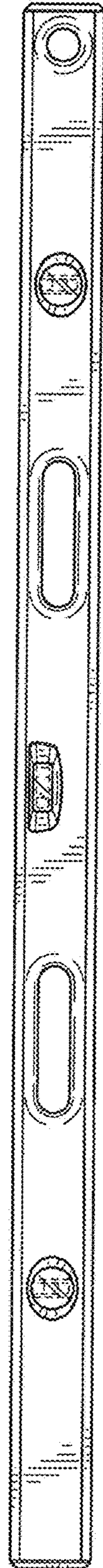


FIG. 10



FIG. 11



FIG. 12



FIG. 13

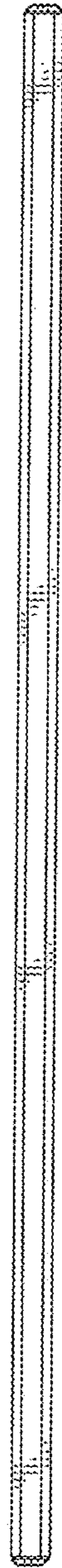


FIG. 14