



US00D813056S

(12) **United States Design Patent**
Wonderley

(10) **Patent No.:** **US D813,056 S**
(45) **Date of Patent:** **** Mar. 20, 2018**

(54) **BLADE DISPENSER**
(71) Applicant: **ACCUTECH BLADES, INC.**, Verona, VA (US)
(72) Inventor: **Jeffrey Wonderley**, Fort Defiance, VA (US)
(73) Assignee: **ACCUTECH BLADES, INC.**, Verona, VA (US)

2,637,900 A 5/1953 Thompson
2,653,704 A * 9/1953 Nelson B65D 83/10
206/355
D187,224 S * 2/1960 Jakeway D7/393
3,037,664 A * 6/1962 Kuhul B65D 83/10
206/356
3,093,266 A * 6/1963 Kuhl B65D 83/10
221/102
D227,753 S 7/1973 Muncy
(Continued)

(**) Term: **15 Years**

(21) Appl. No.: **29/594,542**

(22) Filed: **Feb. 20, 2017**

Related U.S. Application Data

(63) Continuation-in-part of application No. 29/491,543, filed on May 22, 2014, now Pat. No. Des. 779,338.

(51) **LOC (11) Cl.** **09-01**

(52) **U.S. Cl.**
USPC **D9/735; D8/300**

(58) **Field of Classification Search**
USPC D9/414, 730, 735; D3/20, 201, 203.1;
D28/73, 78, 83; 206/38, 208, 556, 738,
206/739, 756, 758; 221/198, 279, 281;
D8/300, 307; D14/432, 483, 511, 237;
D13/174

CPC .. B65D 83/10; B65D 83/0005; B65D 83/005;
B65D 83/08; B65D 83/0805; B65D
83/0817; B65D 83/0829; B65D 83/087;
B65D 1/36; B65D 2583/082

See application file for complete search history.

(56) **References Cited**

U.S. PATENT DOCUMENTS

2,564,712 A * 8/1951 Muros B65D 83/10
221/232
2,624,453 A * 1/1953 Muros B65D 83/10
221/232

FOREIGN PATENT DOCUMENTS

GB 2504852 A 2/2014
JP 200062869 A 2/2000

Primary Examiner — Lauren Calve

(74) *Attorney, Agent, or Firm* — McGuireWoods LLP

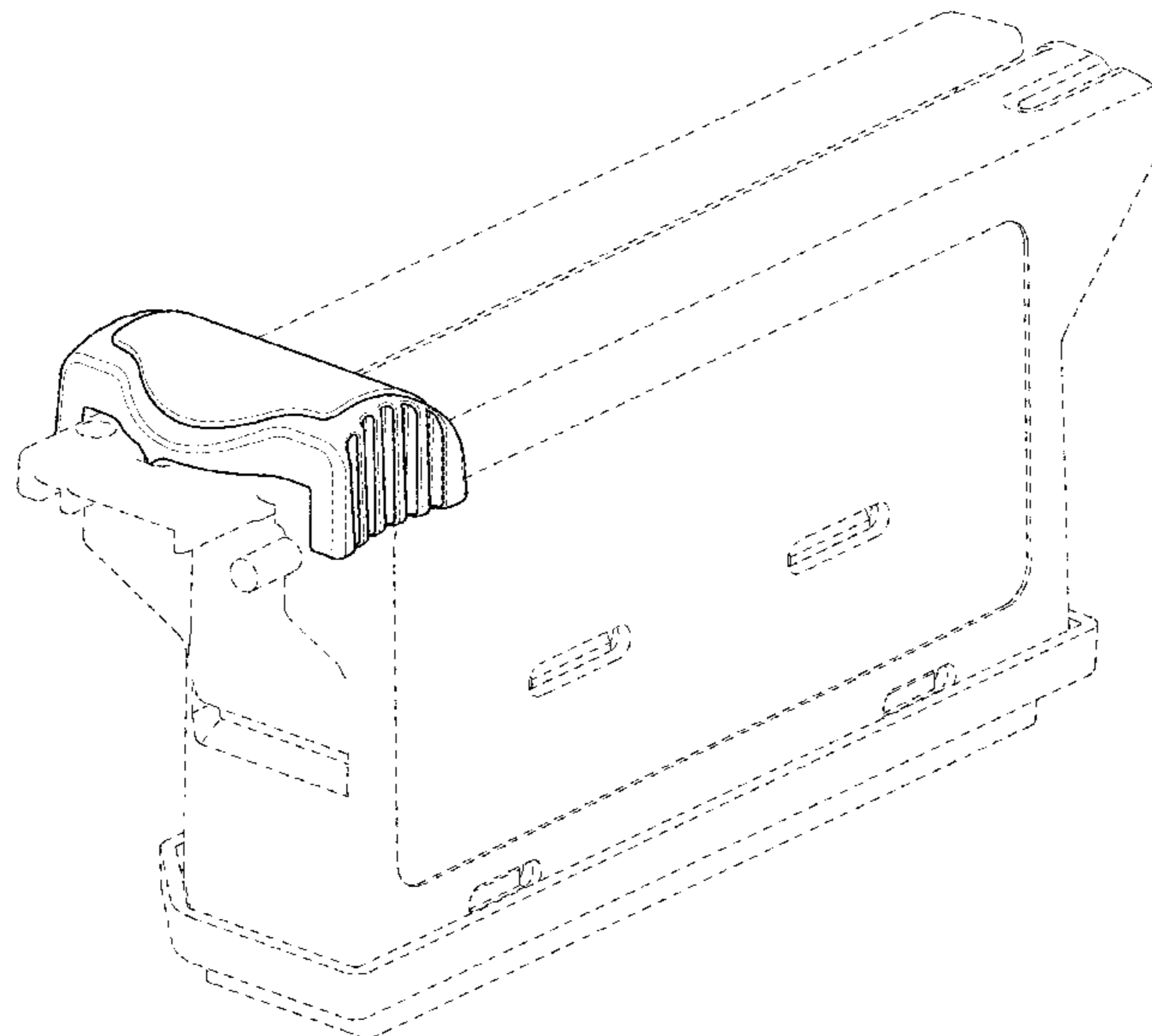
(57) **CLAIM**

I claim the ornamental design for a blade dispenser, as shown and described.

DESCRIPTION

FIG. 1 is an isometric right side view of a blade dispenser; FIG. 2 is isometric left side view of the blade dispenser of FIG. 1; FIG. 3 is an isometric bottom view of the blade dispenser of FIG. 1; FIG. 4 is a left side view of the blade dispenser of FIG. 1; FIG. 5 is a right side view of the blade dispenser of FIG. 1; FIG. 6 is a top view of the blade dispenser of FIG. 1; FIG. 7 is a bottom view of the blade dispenser of FIG. 1; FIG. 8 is a rear view of the blade dispenser of FIG. 1; and, FIG. 9 is a front view of the blade dispenser of FIG. 1. The broken lines shown represent unclaimed subject matter and form no part of the claimed design.

1 Claim, 7 Drawing Sheets



(56)

References Cited

U.S. PATENT DOCUMENTS

D231,202 S	4/1974	Stratford et al.	7,140,650 B2 *	11/2006	Berg	E05C 19/06 292/163
D231,670 S	5/1974	Genaro et al.	D536,624 S *	2/2007	Novak	D9/735
3,827,597 A	8/1974	Braginetz	D550,632 S *	9/2007	Samuels	D13/162
3,850,343 A *	11/1974	Petrillo	D554,468 S *	11/2007	Ahlgren	D8/309
	 B26B 21/24	D613,147 S *	4/2010	Ito	D8/300
		206/255	D702,649 S *	4/2014	Ichio	D13/146
3,869,066 A *	3/1975	Ferraro	D720,628 S	1/2015	Erdmann	
	 B65D 83/10	D727,272 S *	4/2015	Johnson	D13/174
		221/102	D779,338 S *	2/2017	Wonderley	D9/735
D235,135 S *	5/1975	Poisson	2013/0126550 A1 *	5/2013	Schneider	B65D 83/10 221/270
D240,116 S	6/1976	Poisson	2013/0291955 A1 *	11/2013	Laible	B05B 7/12 137/101.11
D240,902 S *	8/1976	Byrne	2014/0034665 A1	2/2014	Walter	
4,207,790 A	6/1980	Endo	2015/0114997 A1 *	4/2015	Uldry	B05B 11/3007 222/309
4,730,376 A	3/1988	Yamada	2016/0016778 A1 *	1/2016	Taylor	B67D 1/10 222/333
D341,568 S *	11/1993	Sorenson	2016/0242765 A1 *	8/2016	George	A61B 17/0469
D403,954 S	1/1999	Okada et al.				
6,763,972 B2	7/2004	Graupner				
D519,469 S *	4/2006	Sorenson				

* cited by examiner

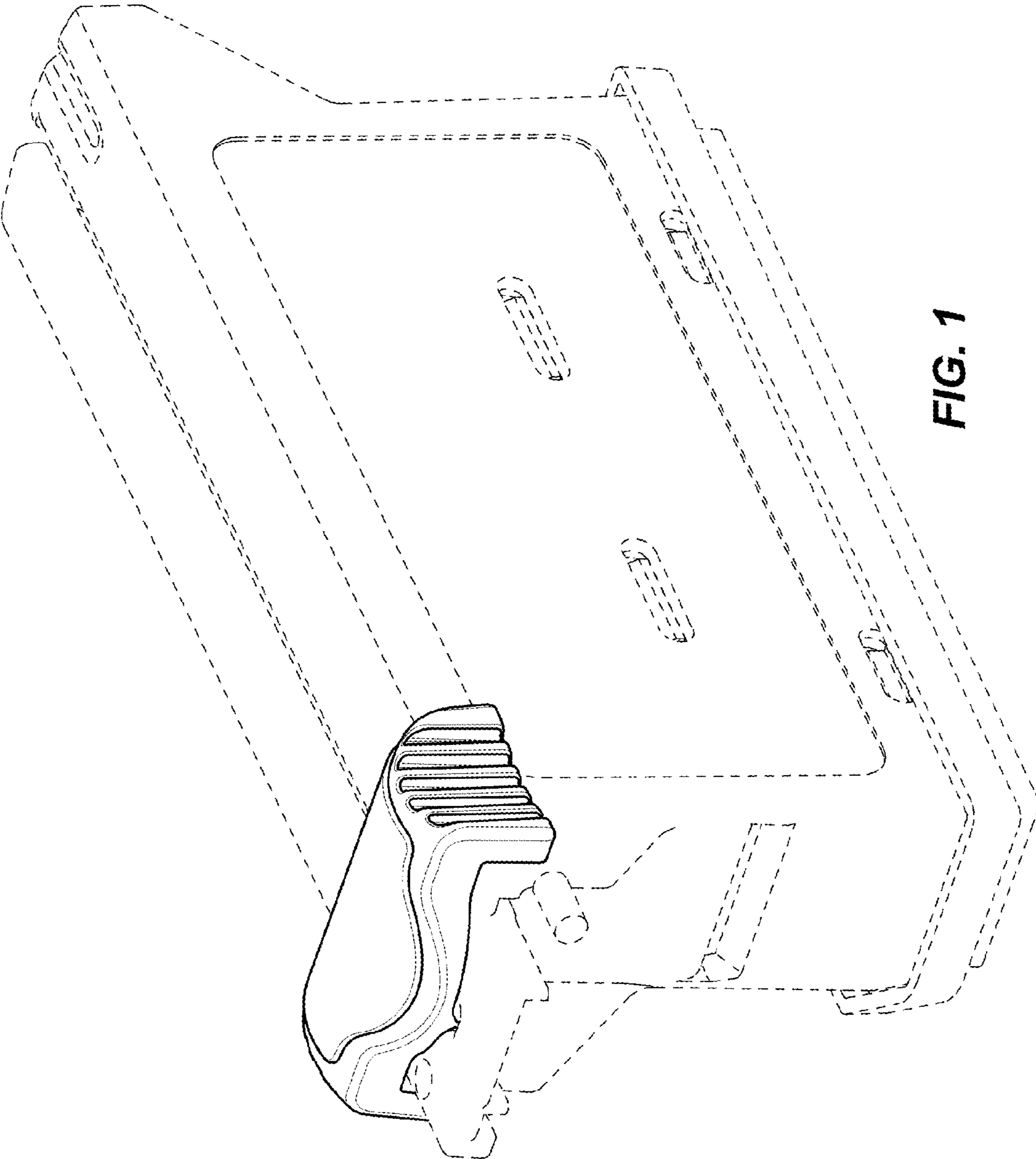
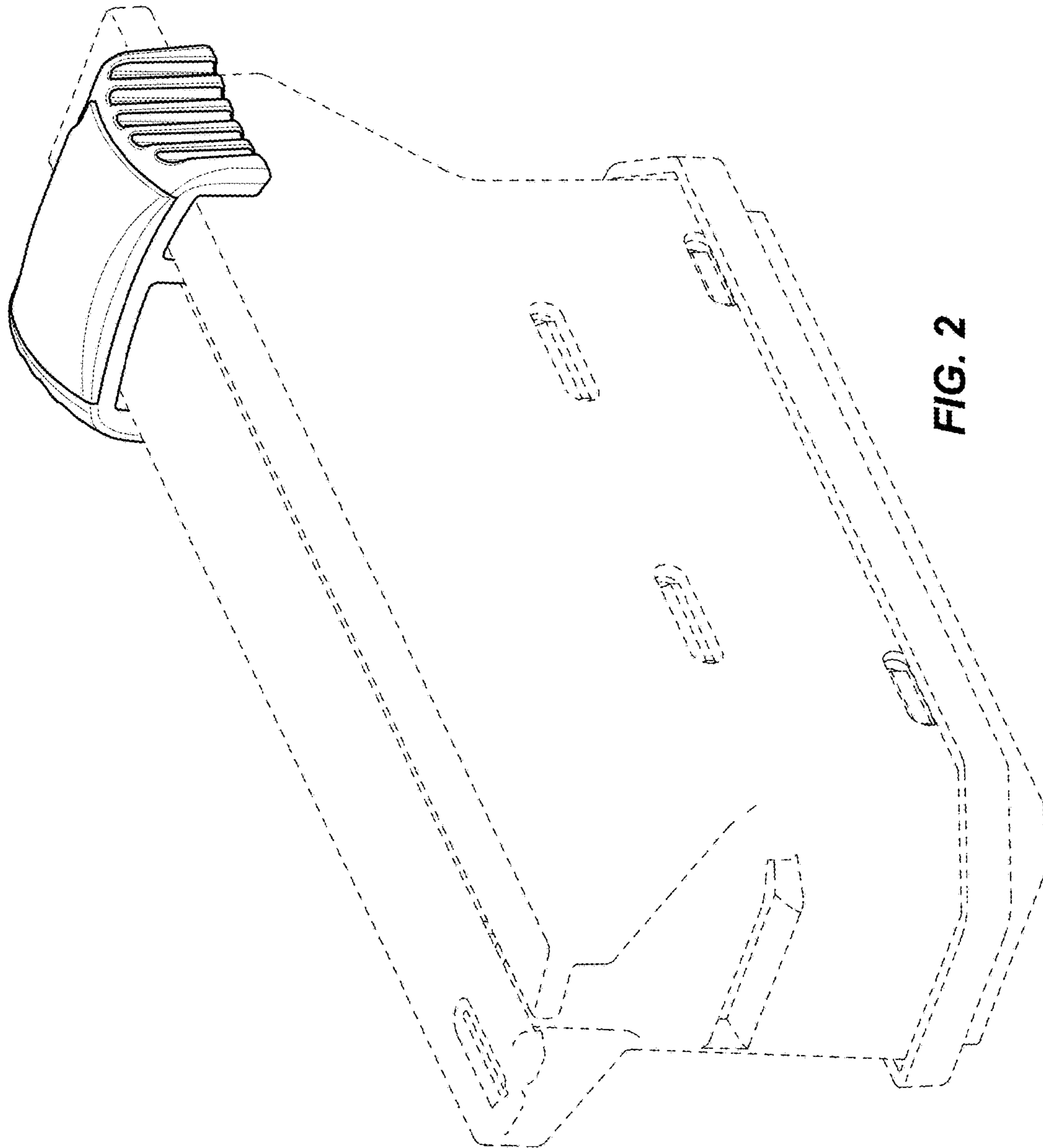


FIG. 1



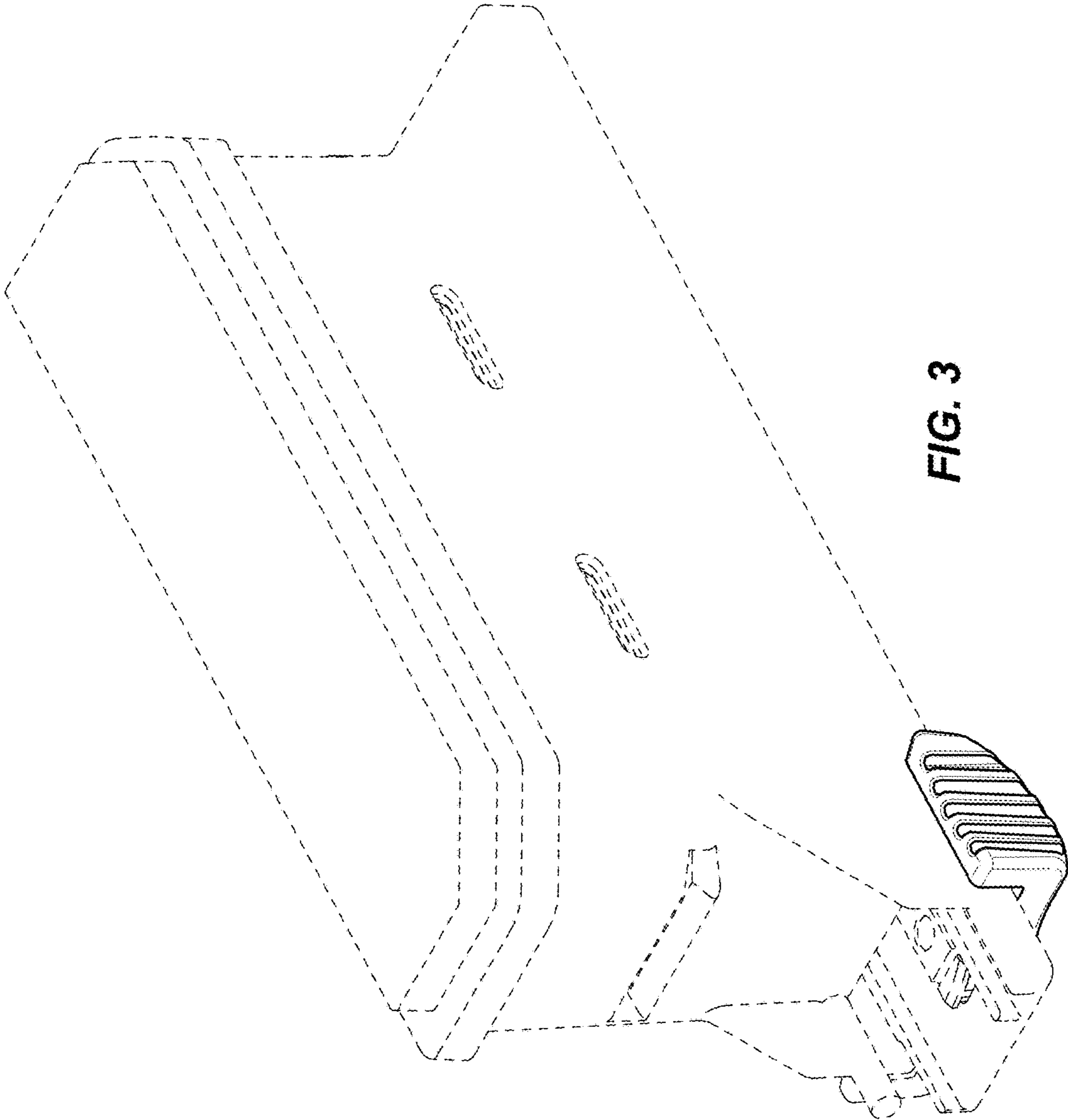


FIG. 3

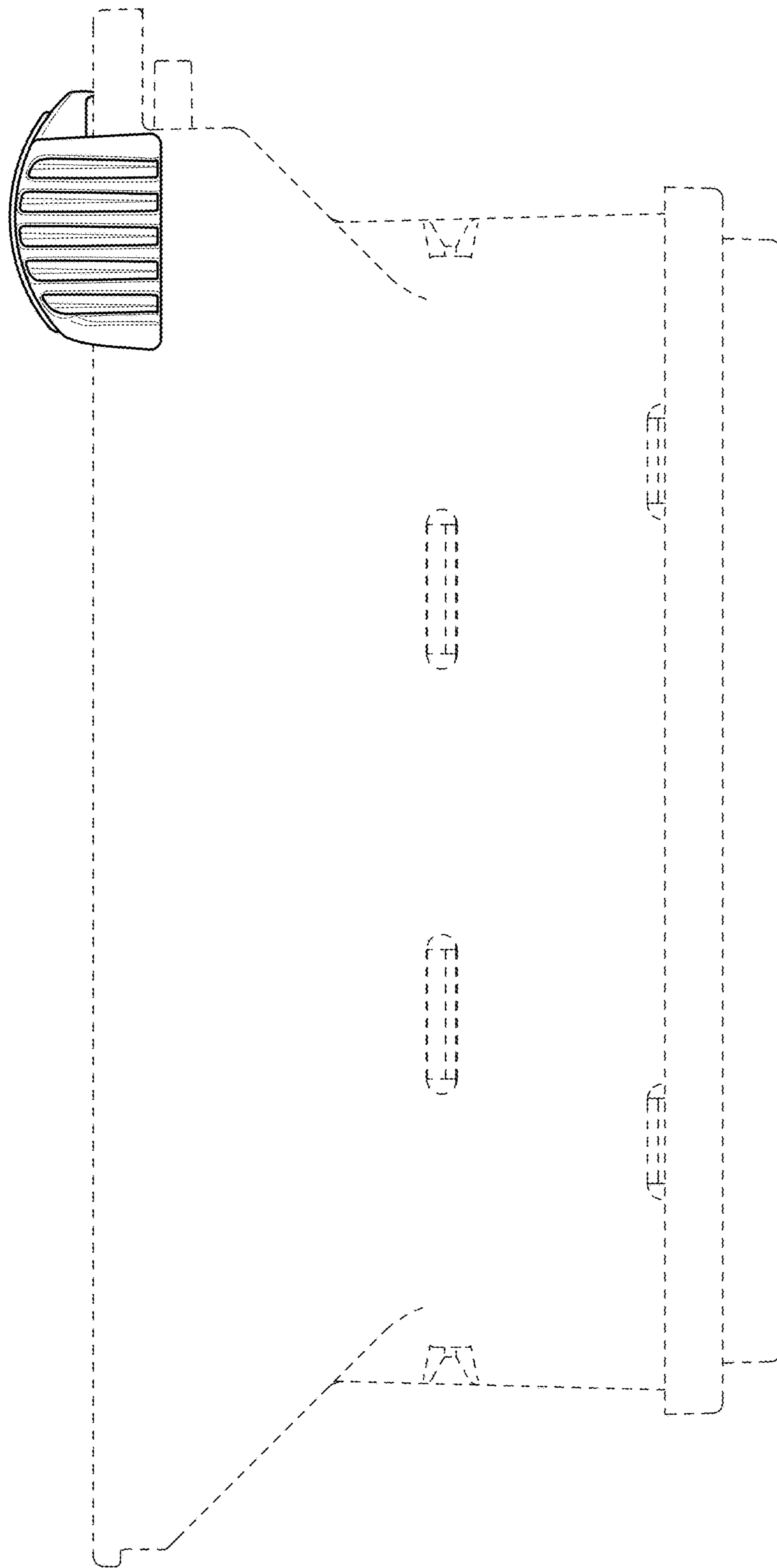


FIG. 4

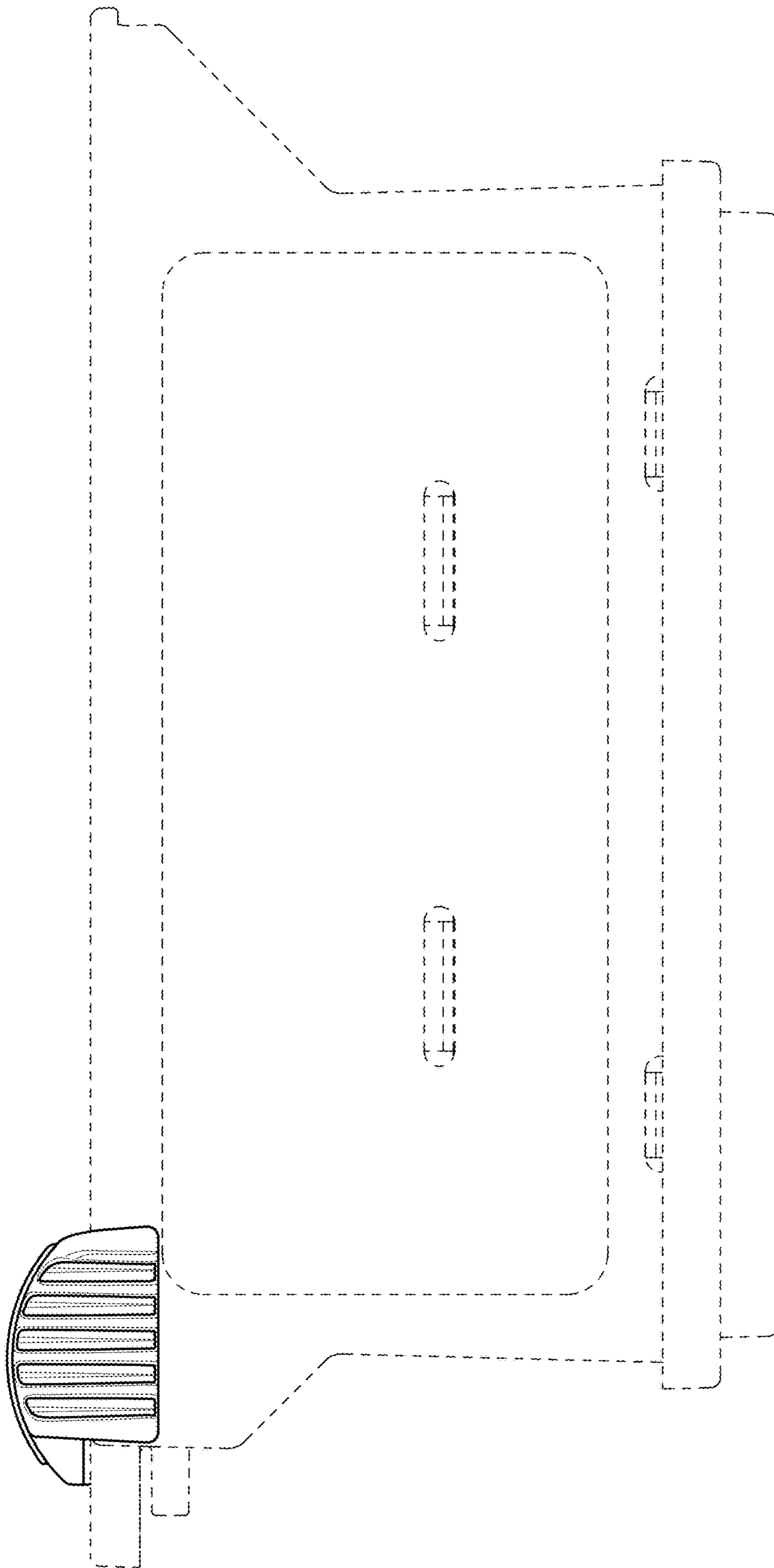


FIG. 5

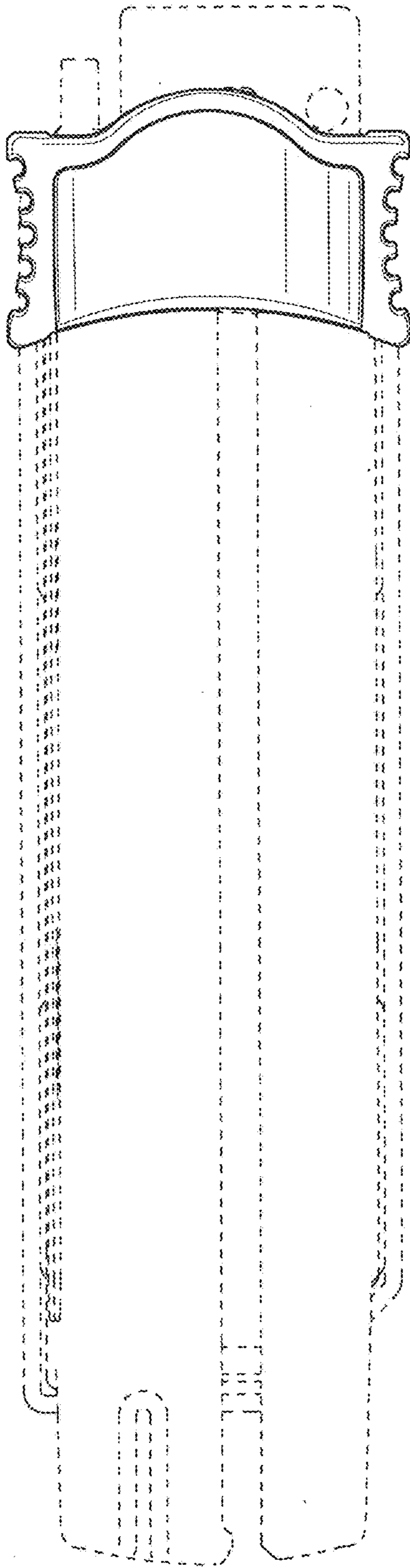


FIG. 6

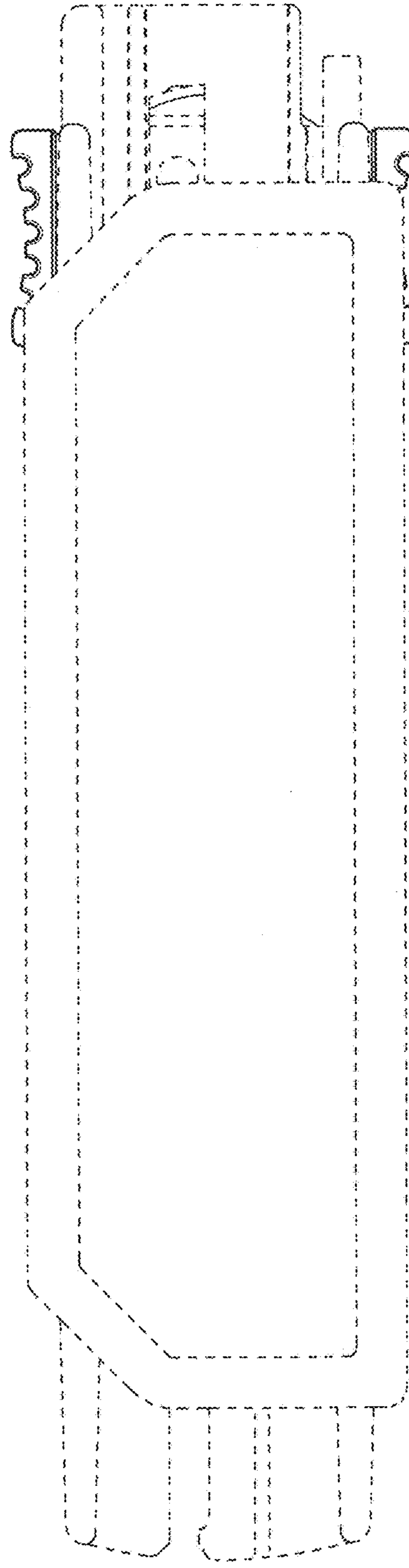


FIG. 7

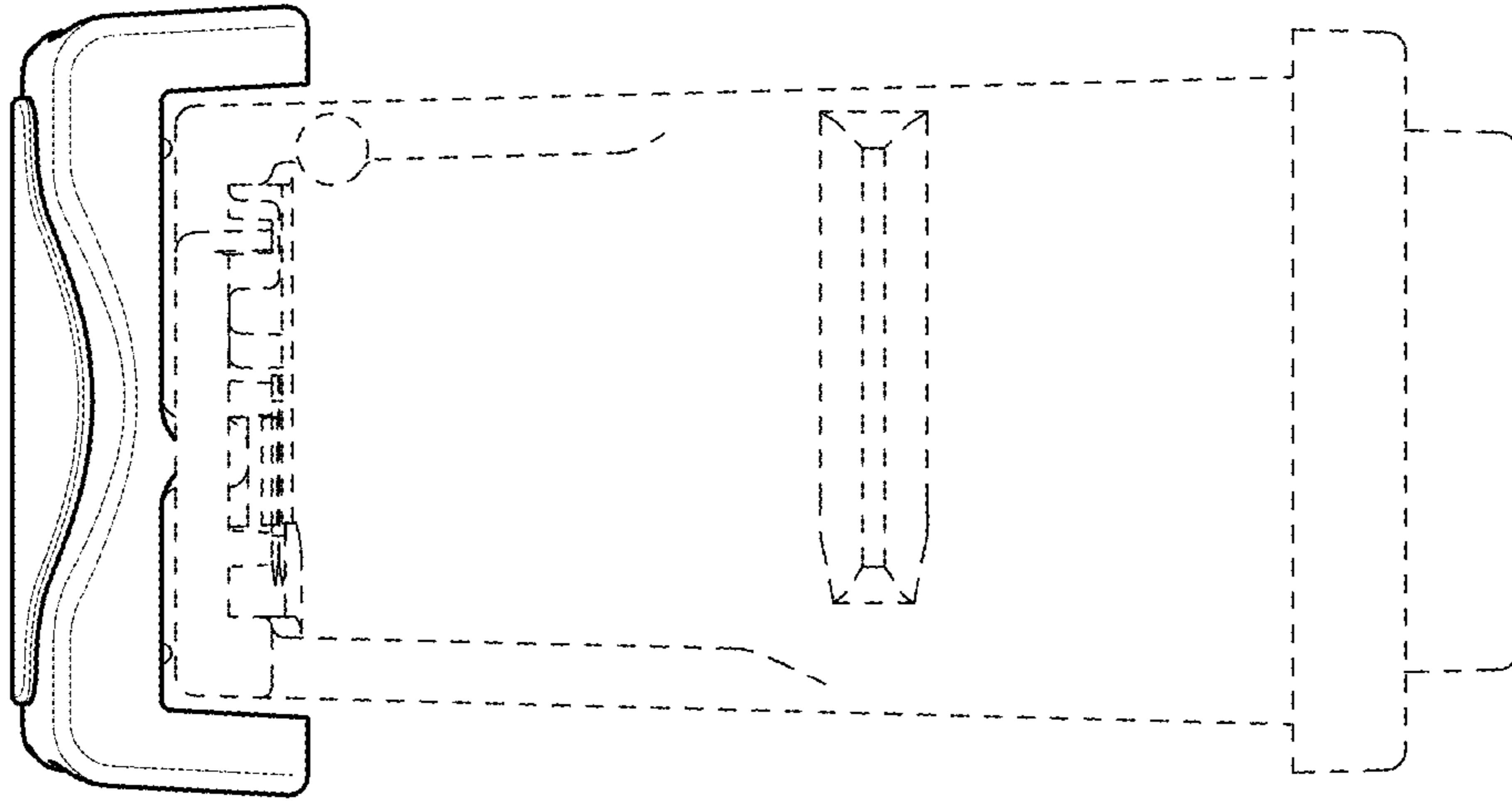


FIG. 9

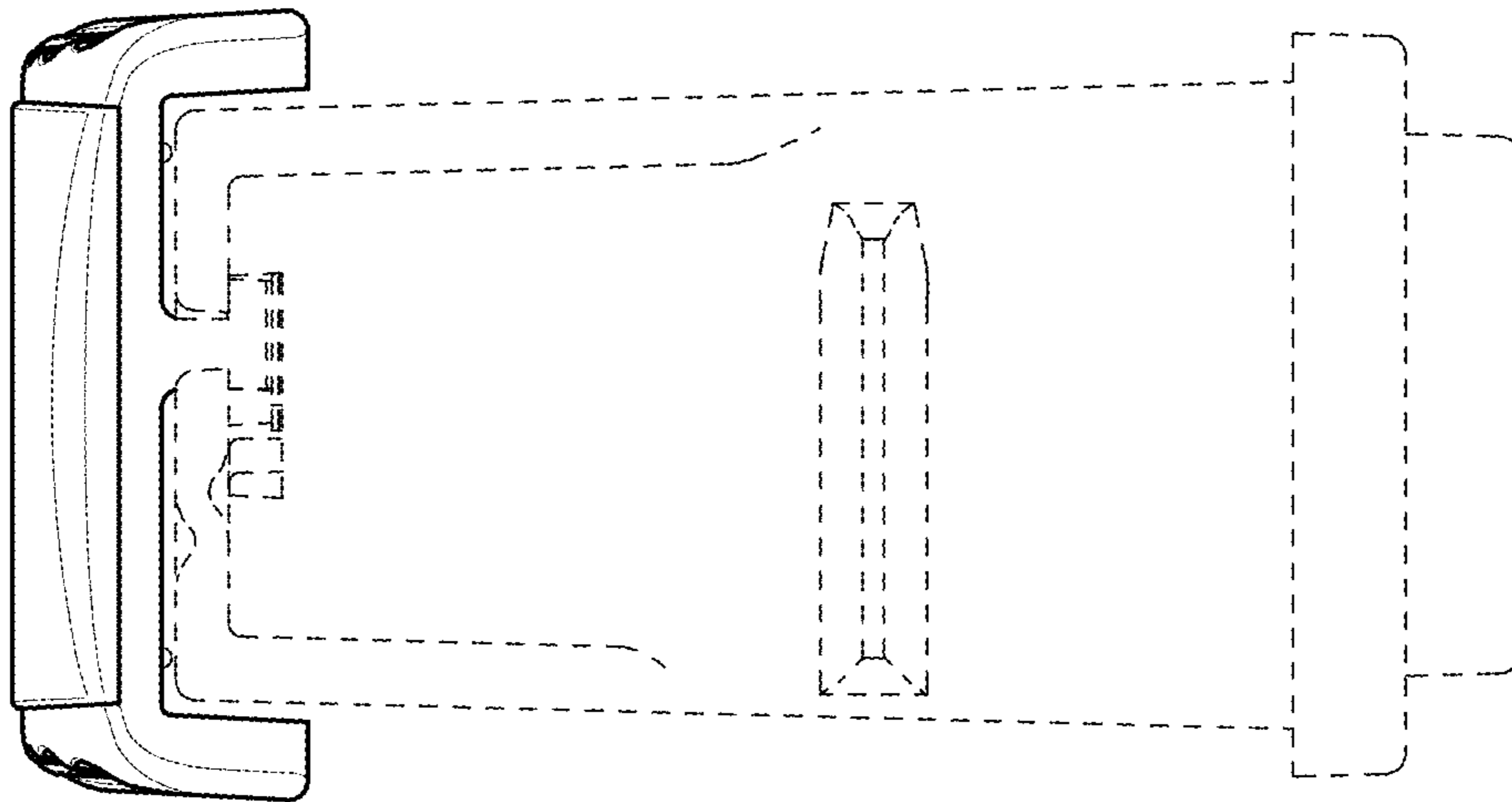


FIG. 8