



US00D813043S

(12) **United States Design Patent**
Higgins

(10) **Patent No.:** **US D813,043 S**

(45) **Date of Patent:** **** Mar. 20, 2018**

(54) **CONTAINER**

(71) Applicant: **3G-Green Garden Group LLC**, Santa Rosa, CA (US)

(72) Inventor: **Robert Charles Higgins**, Chilliwack (CA)

(73) Assignee: **3G-Green Garden Group LLC**, Santa Rosa, CA (US)

(**) Term: **15 Years**

(21) Appl. No.: **29/558,519**

(22) Filed: **Mar. 18, 2016**

(51) **LOC (11) Cl.** **09-01**

(52) **U.S. Cl.**
USPC **D9/528**; D9/651; D9/563

(58) **Field of Classification Search**
USPC D9/516, 522, 530, 531, 534, 536, 537,
D9/539, 544, 549, 551, 558; 215/248,
215/307, 379, 381-385, 902; 220/660,
220/662, 669, 675
CPC B29L 2031/7158; B65D 1/0207; B65D
1/0223; B65D 1/023; B65D 13/02; B65D
2501/0081

See application file for complete search history.

(56) **References Cited**

U.S. PATENT DOCUMENTS

D202,479 S *	10/1965	Kelly	D9/528
D277,552 S *	2/1985	Kung	D9/524
5,114,028 A *	5/1992	Ring	B65D 1/18 215/398
D357,417 S *	4/1995	Van Keimpema	D9/528
D371,967 S *	7/1996	Miller	D9/520
D373,532 S *	9/1996	Miller	D9/520

D378,494 S *	3/1997	Miller	D9/528
D479,468 S *	9/2003	Dorn	D9/531
D670,170 S *	11/2012	Voelker	D9/528
2008/0073317 A1 *	3/2008	Dygert	B65D 1/20 215/397

* cited by examiner

Primary Examiner — Derrick E Holland

Assistant Examiner — Janice Julia Patyk

(74) *Attorney, Agent, or Firm* — Edward S. Sherman

(57) **CLAIM**

The ornamental design for a container, as shown and described.

DESCRIPTION

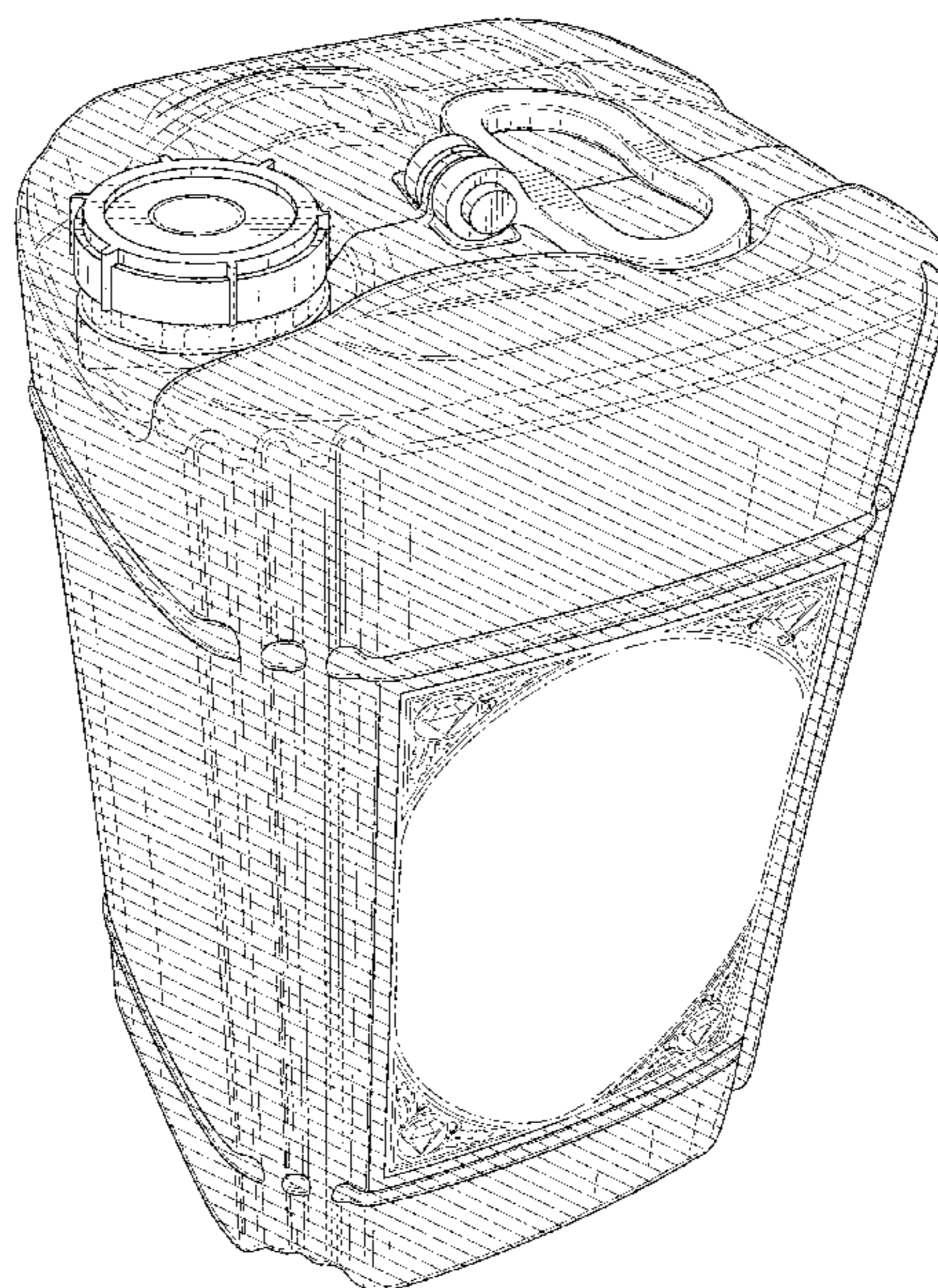
FIG. 1 is a top, back, right side perspective view of a container, showing my new design;
FIG. 2 is a top, front, right side perspective view thereof, wherein the top handle is shown in raised condition;
FIG. 3 is a front elevation view thereof;
FIG. 4 is a back elevation view thereof;
FIG. 5 is a right side elevation view thereof;
FIG. 6 is a left side elevation view thereof;
FIG. 7 is a top plan view thereof; and,
FIG. 8 is a bottom plan view thereof.

The broken lines in the figures illustrate the portions of the design that form no part of the claimed design.

The dot-dash broken lines immediately adjacent to the claimed areas on the cap, right side and bottom of the container represent boundaries of the design and form no part thereof.

None of the broken lines form any part of the claimed design.

1 Claim, 8 Drawing Sheets



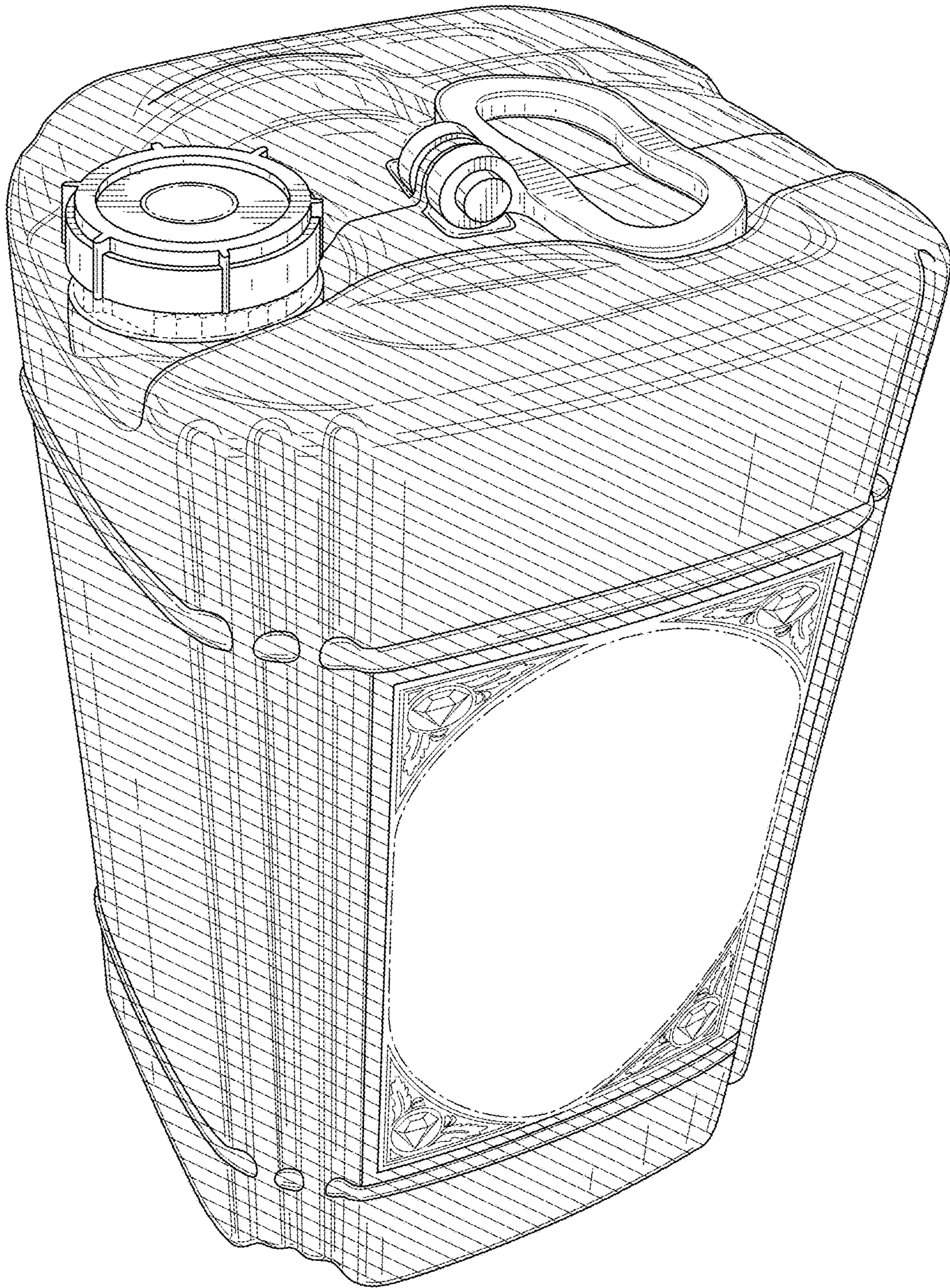


FIG. 1

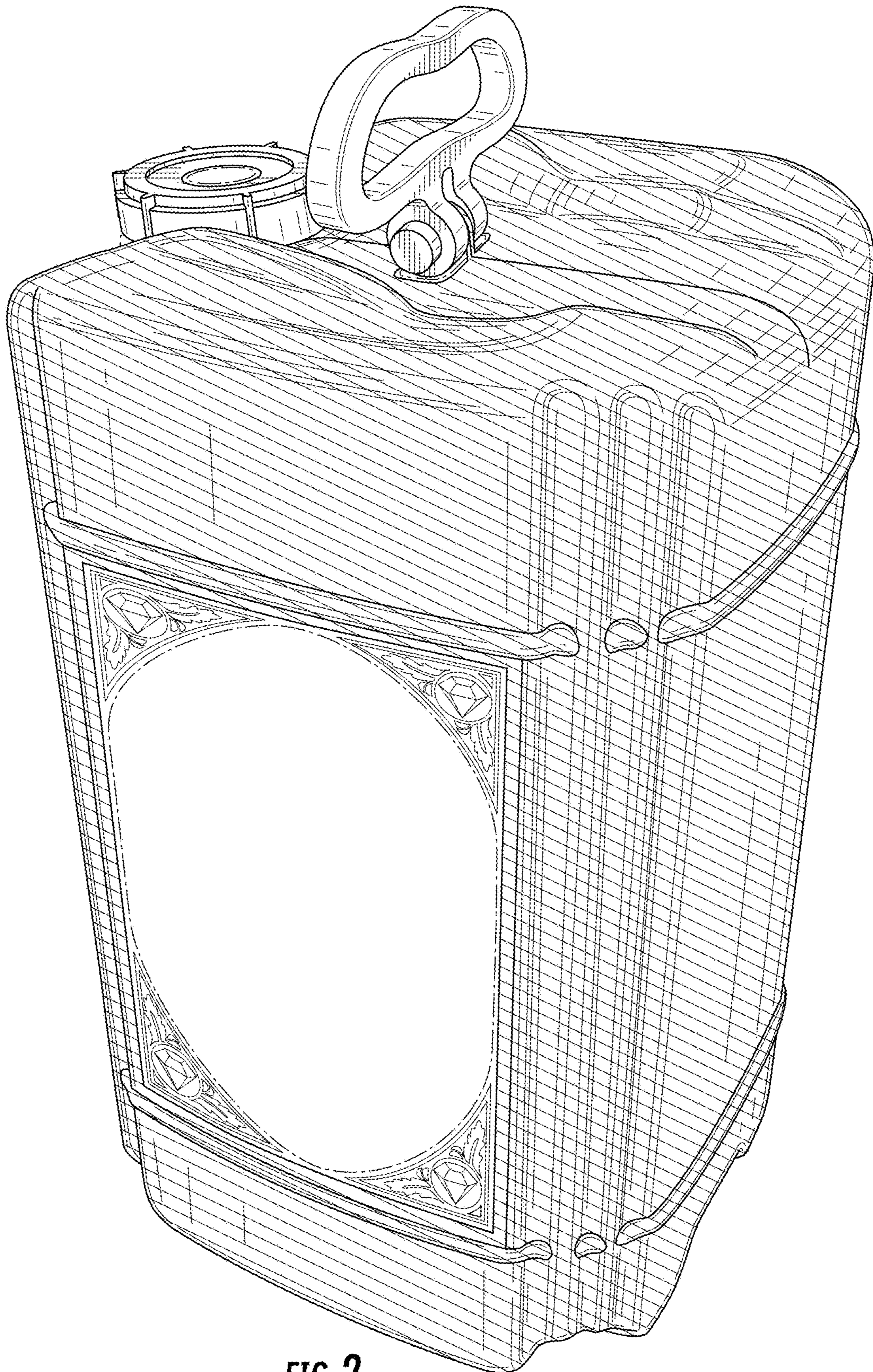


FIG. 2

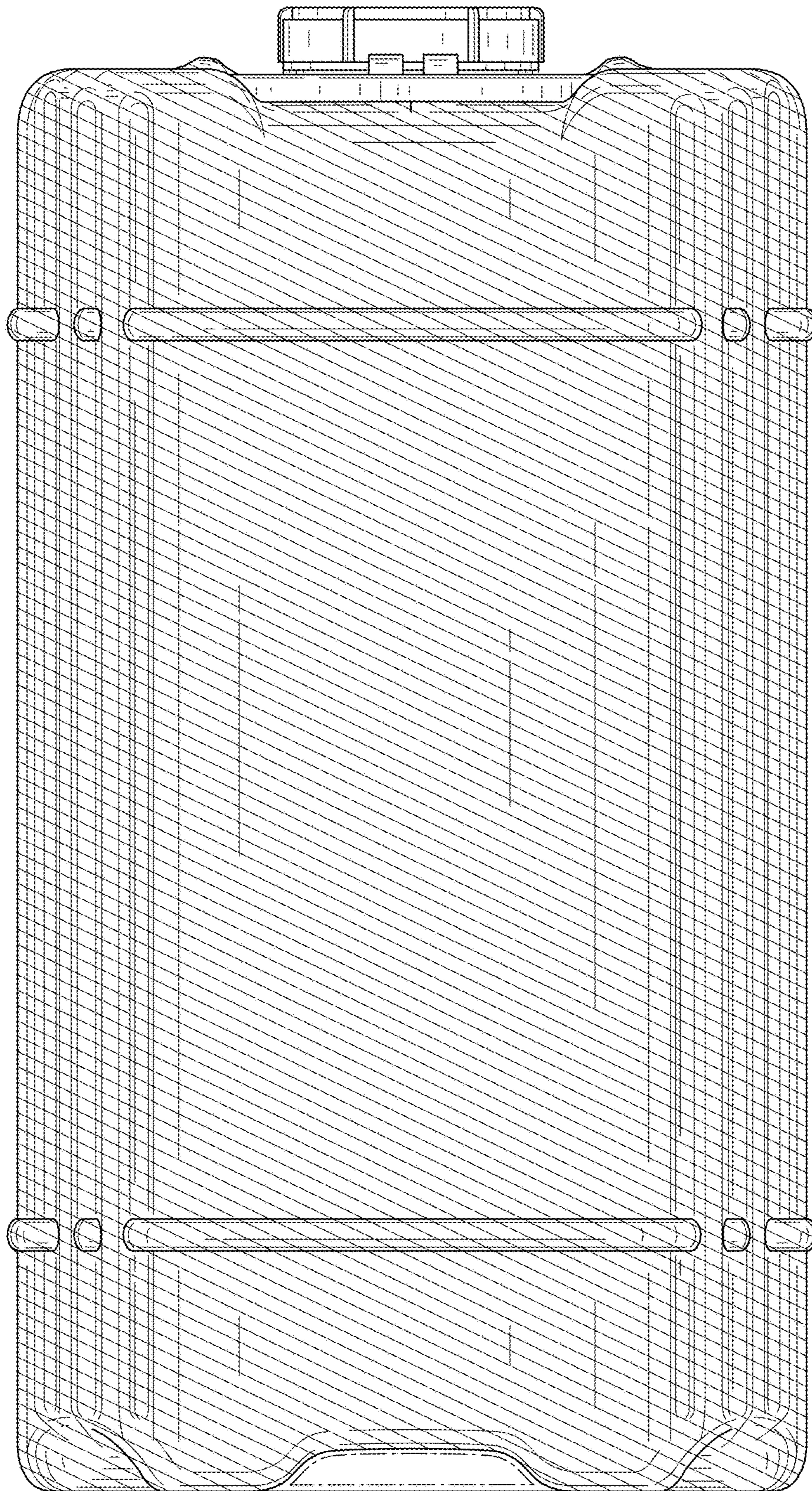


FIG. 3

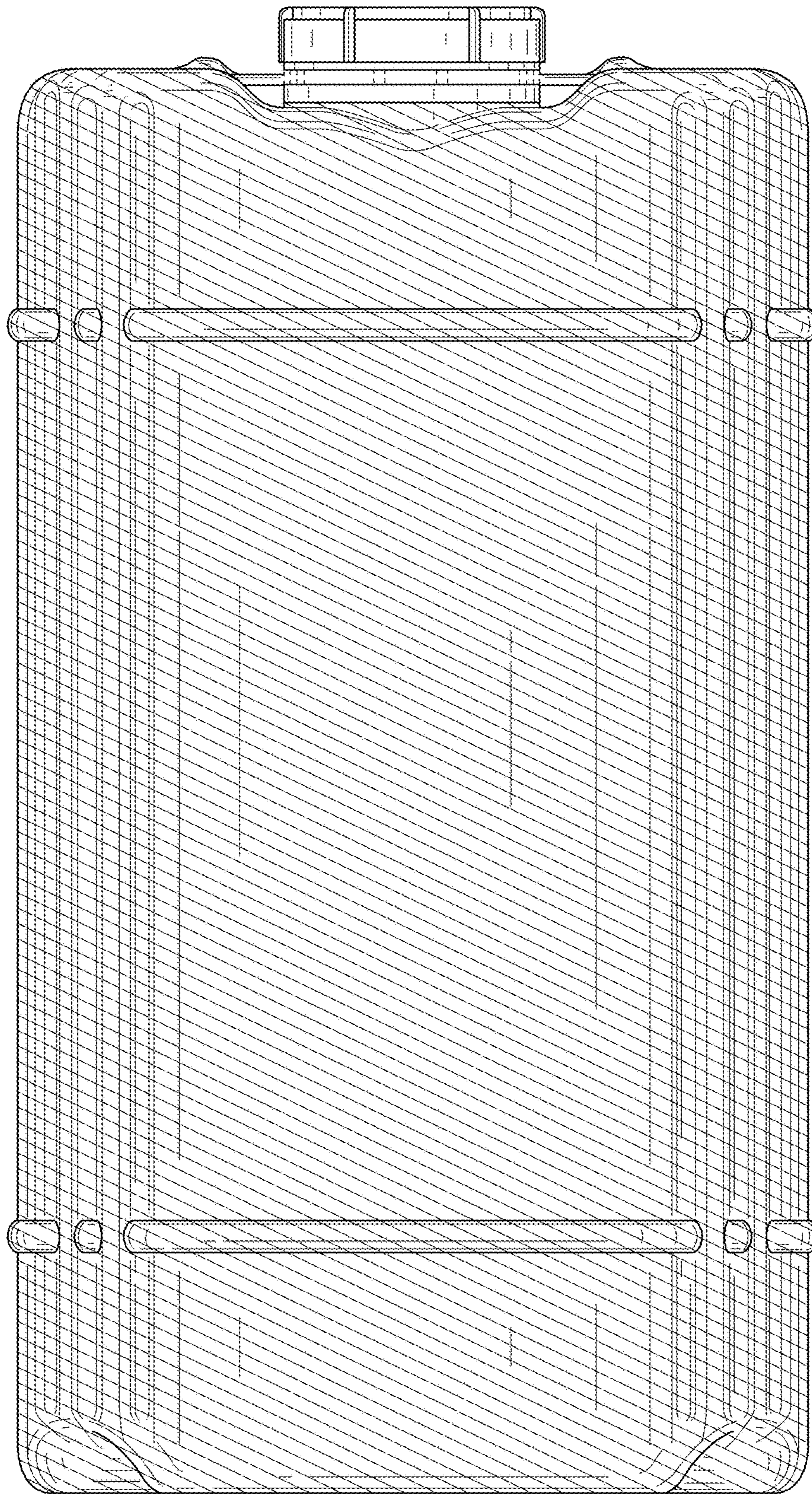


FIG. 4

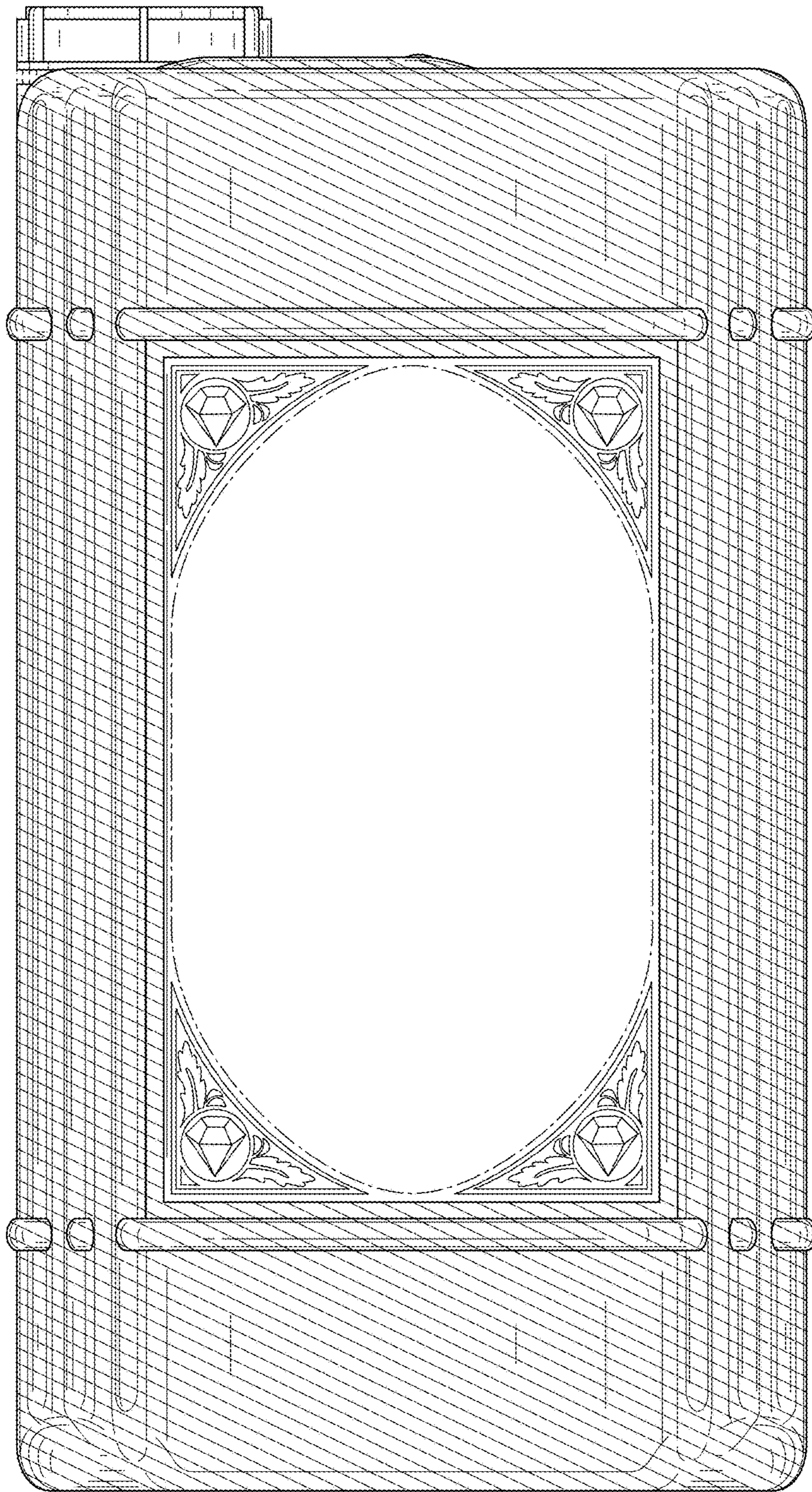


FIG. 5

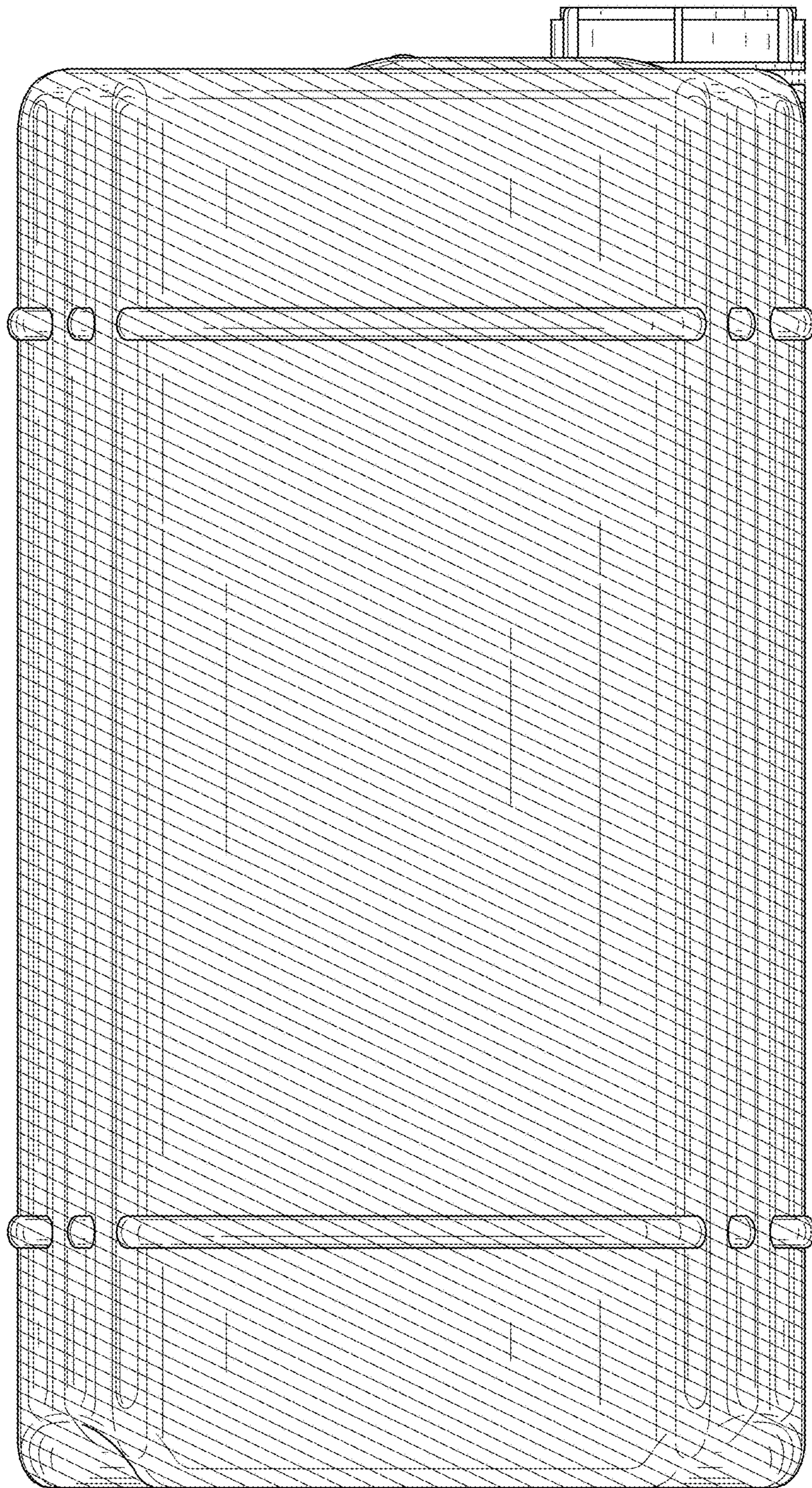


FIG. 6

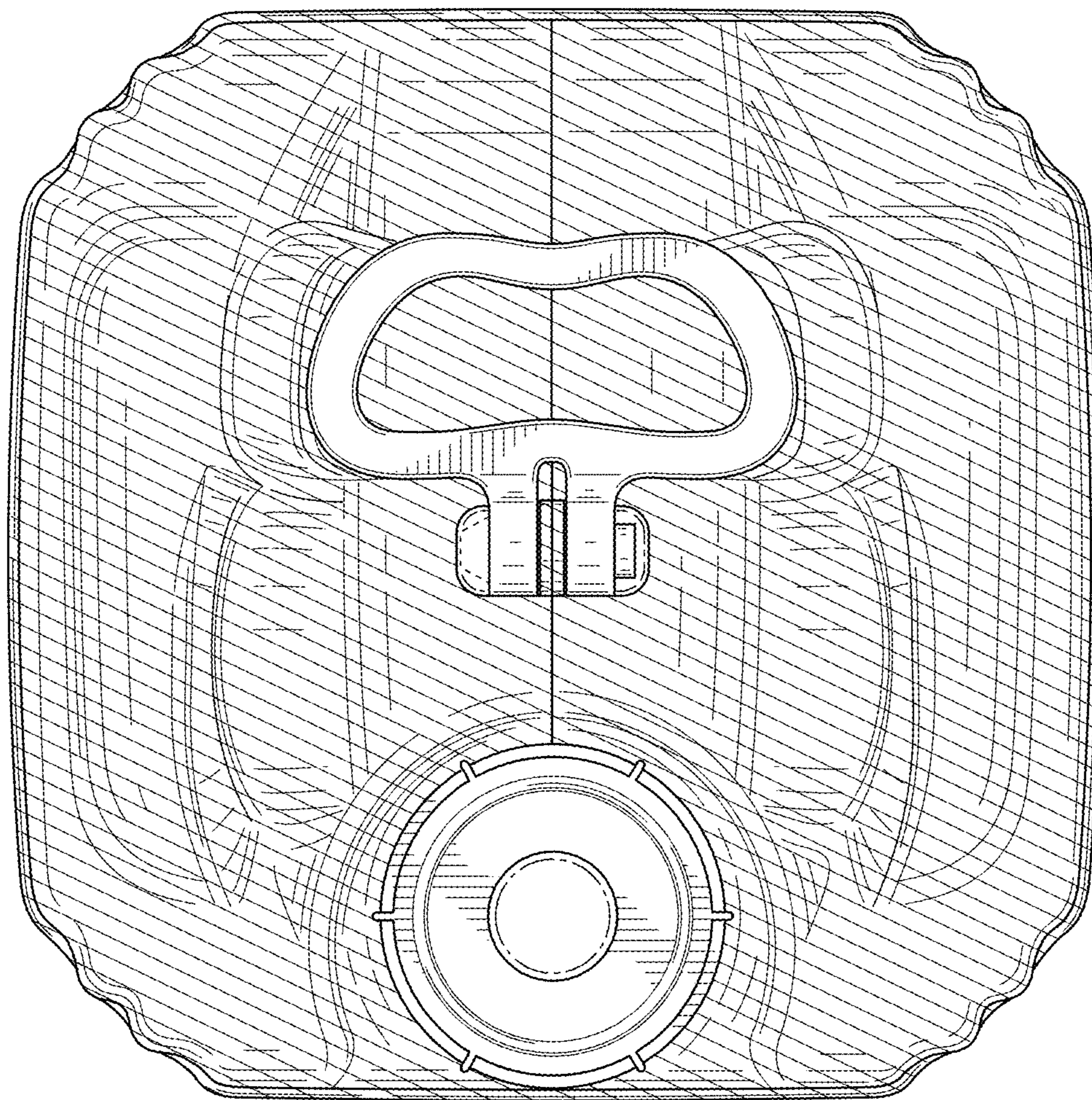


FIG. 7

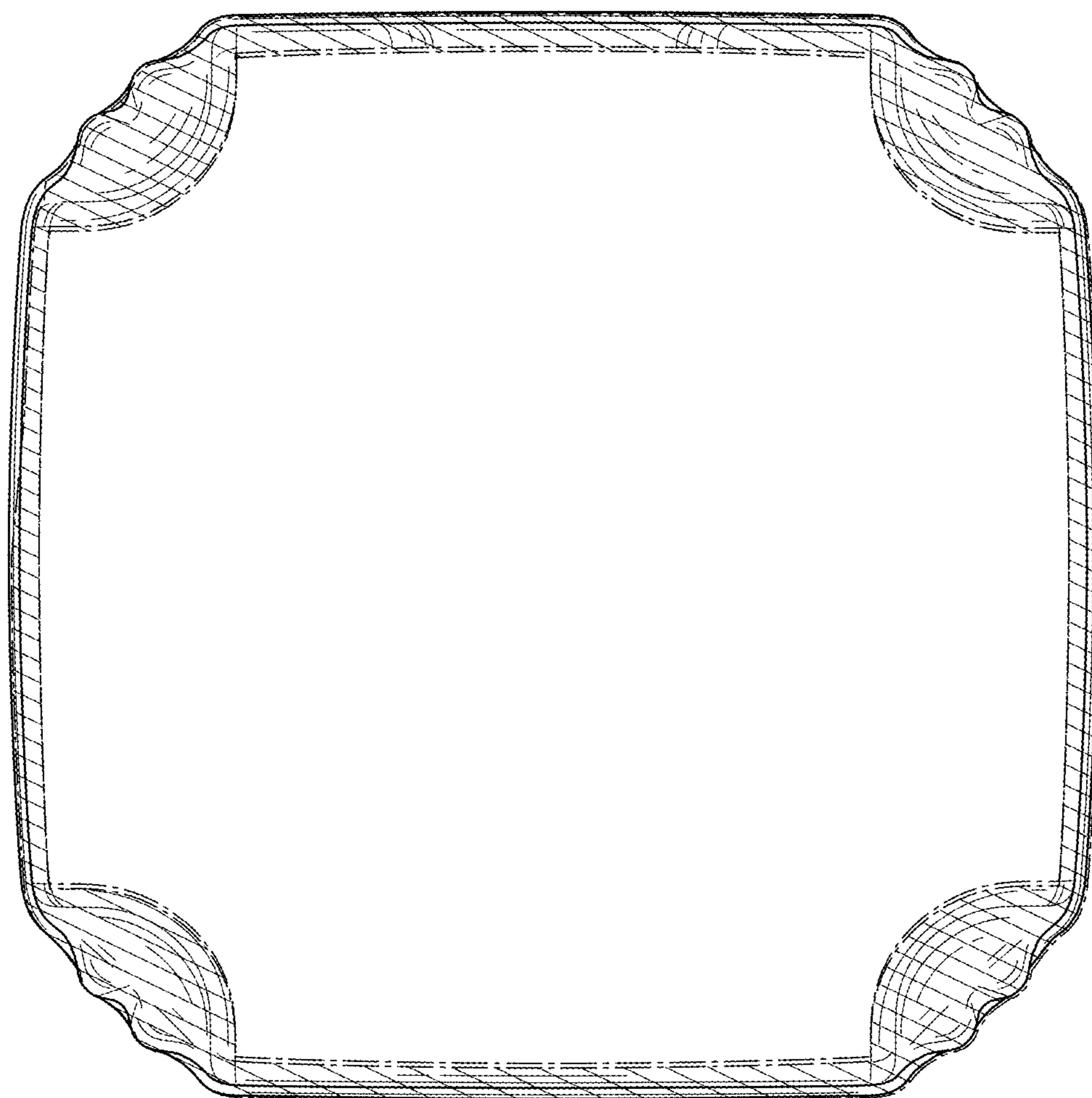


FIG. 8