



US00D813036S

(12) **United States Design Patent**
Prince

(10) **Patent No.:** **US D813,036 S**
(45) **Date of Patent:** **** Mar. 20, 2018**

- (54) **TRAY FOR BAGS CONTAINING LIQUID**
- (71) Applicant: **Parmalat Canada Inc.**, Etobicoke (CA)
- (72) Inventor: **Sidney Scott Prince**, Hamilton (CA)
- (73) Assignee: **Parmalat Canada Inc.**, Etobicoke (CA)
- (**) Term: **15 Years**
- (21) Appl. No.: **29/585,178**
- (22) Filed: **Nov. 21, 2016**

Related U.S. Application Data

- (62) Division of application No. 29/504,281, filed on Oct. 3, 2014.

Foreign Application Priority Data

- Oct. 3, 2014 (CA) 155896
- (51) **LOC (11) Cl.** **09-03**
- (52) **U.S. Cl.**
USPC **D9/456**

(58) **Field of Classification Search**

USPC D3/20, 200, 201, 271.1, 272, 273, 302, D3/304, 306, 309-315, 319, 901; D6/512, 515-525, 553, 567, 570, 571, D6/672; D7/311, 323, 326, 329-331, D7/337, 339, 346, 347, 350.1-350.4, D7/352-367, 387, 388, 391, 392.1, 393, D7/395, 401.1, 402, 407-410, 415, 500, D7/505, 538-545, 552.1, 552.2, 553.2, D7/554.3, 555-566, 584-587, 601.1, D7/602-609, 637, 672-674, 698, 701, D7/704; D9/414, 418, 420-424, 427, D9/430-435, 455, 456, 517, 737, 738, D9/739, 740, 741, 744, 745, 756, 759, D9/760, 761; D19/1, 27, 102, 103; D24/127, 128, 216, 224, 227-229, 230, D24/232; D28/61, 73, 76; D32/55, 58; D14/219, 260.1; D12/406, 411, 419, 425,

(Continued)

(56) **References Cited**

U.S. PATENT DOCUMENTS

D193,448 S 8/1962 Thellig
D196,150 S 8/1963 Welm

(Continued)

FOREIGN PATENT DOCUMENTS

EP 1142796 A1 10/2001

OTHER PUBLICATIONS

Letter filed Jun. 19, 2015 with the Canadian Intellectual Property Office by a third party in respect of Canadian Patent Application No. 2,837,799, dated Jun. 19, 2015, pp. 1-6.

(Continued)

Primary Examiner — Thomas Johannes

Assistant Examiner — Catherine S Posthauer

(74) *Attorney, Agent, or Firm* — Wolf, Greenfield & Sacks, P.C.

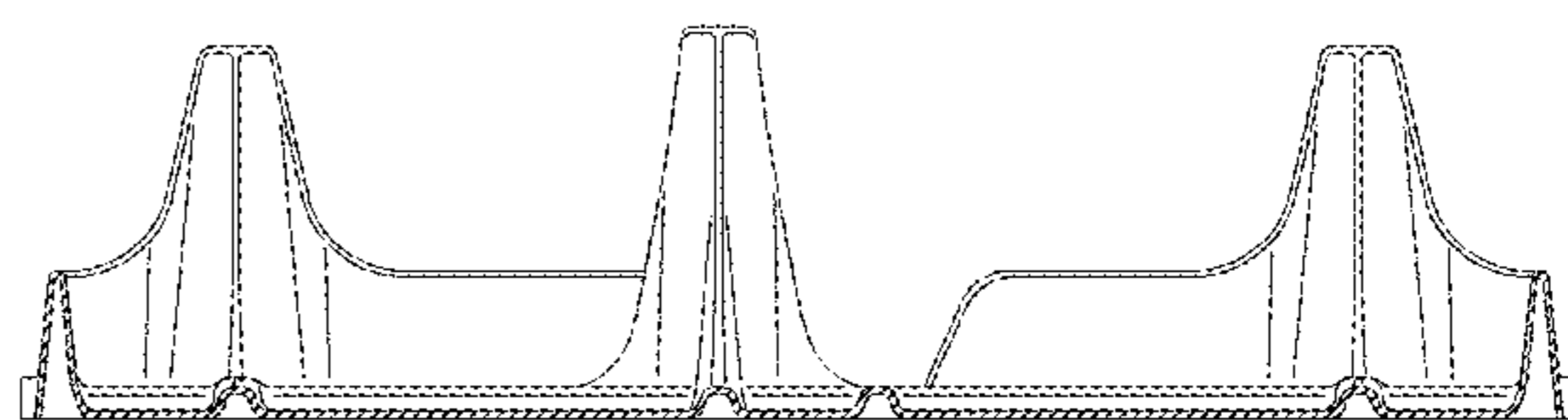
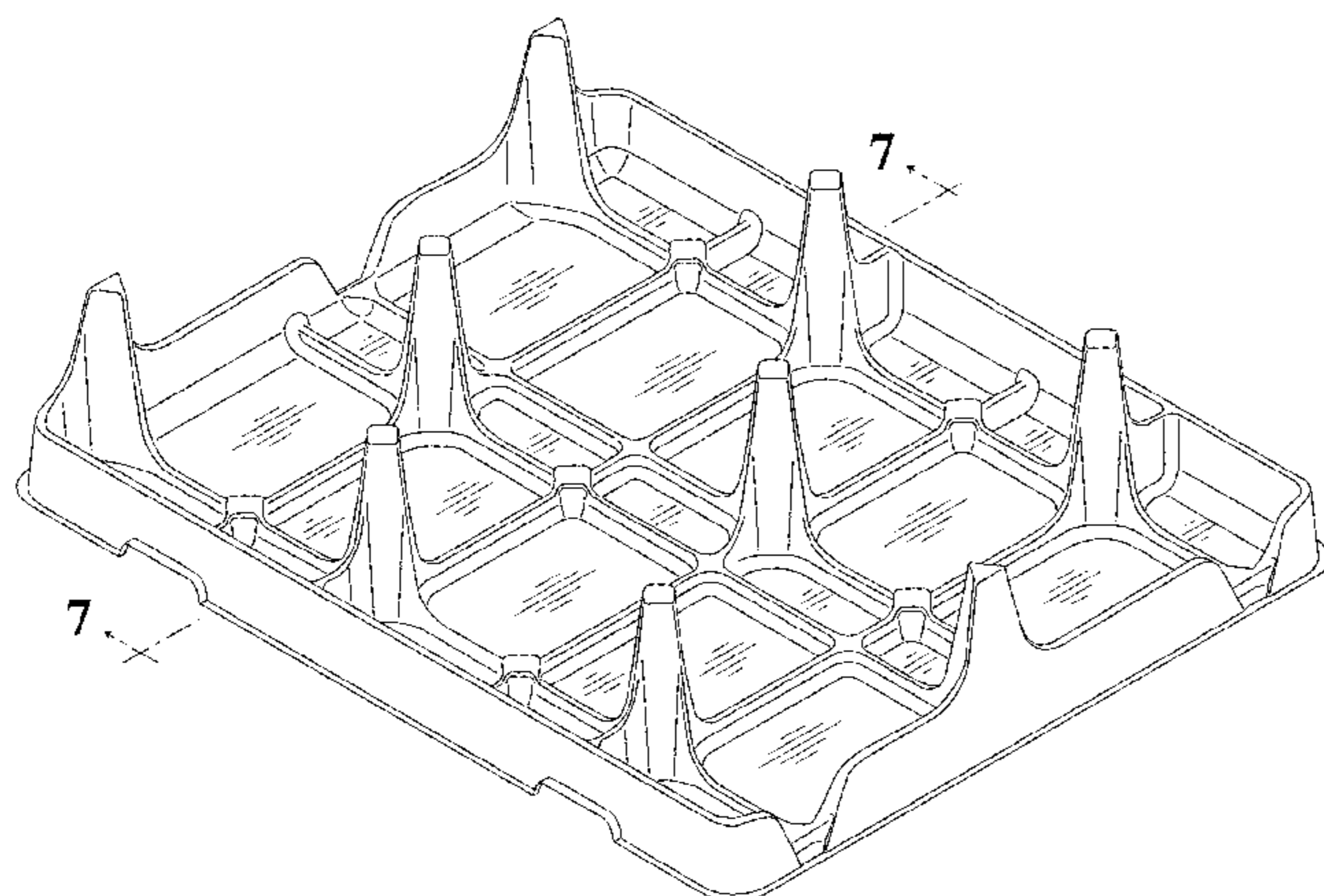
(57) **CLAIM**

The ornamental design for the tray for bags containing liquid, as shown and described.

DESCRIPTION

FIG. 1 is a perspective view of the tray for bags containing liquid showing my new design;
FIG. 2 is a front view thereof;
FIG. 3 is a left view thereof;
FIG. 4 is a right view thereof;
FIG. 5 is a top view thereof;
FIG. 6 is a bottom view thereof; and,
FIG. 7 is a cross-section view thereof taken along line 7-7 of FIG. 1.

1 Claim, 5 Drawing Sheets



(58) **Field of Classification Search**

USPC D12/426; D25/1, 2, 3, 16, 56, 61, 100, D25/101
 CPC B65D 1/243; B65D 2501/24019; B65D 2501/24165; B65D 2501/24152; B65D 11/18; B65D 85/32; B65D 85/30; B65B 1/04; A47J 27/00; A47J 27/002; A47J 27/004; A47J 27/08; A47J 27/21; A47J 27/58; A47J 35/025; A47J 45/061; A47J 45/065; A47J 45/071; A47J 45/08; A47J 29/00; A47J 29/02; A47J 29/04; A47J 29/06; A45J 37/00; A45J 37/10; A45J 37/101; A45J 37/103; A45J 37/1204; A45J 37/0704; H05B 6/06; H05B 6/12; A01K 41/02; A01K 41/026; A01K 41/04; A23B 5/00; A23B 5/005; A23B 5/0052; F26B 25/18; A47F 5/0807; A47B 73/00
 See application file for complete search history.

6,688,471 B2 2/2004 Stone et al.
 D505,014 S 5/2005 Apps
 D524,651 S 7/2006 Perret
 D529,401 S 10/2006 Aoki
 D535,881 S 1/2007 Liukko
 D568,687 S * 5/2008 Lovett D7/553.3
 D587,116 S 2/2009 Landry
 D590,715 S 4/2009 Gilfert
 D620,605 S 7/2010 Reitze
 D645,156 S 9/2011 Reitz
 D656,821 S * 4/2012 Marcoux D9/456
 D658,989 S 5/2012 Nelissen
 D683,541 S 6/2013 Lindstrom
 D700,053 S * 2/2014 Chudleigh D9/456
 8,925,742 B1 * 1/2015 Chitayat A47L 19/04
 211/132.1
 D732,187 S 6/2015 Houkal
 D743,793 S 11/2015 Prince
 D743,794 S 11/2015 Carroll
 D752,437 S 3/2016 Heintzelman
 D766,664 S * 9/2016 Wilson D7/553.2
 D770,856 S * 11/2016 Li D7/553.2
 D772,068 S * 11/2016 Zheng D9/414
 2001/0015329 A1 * 8/2001 Apps B65D 1/243
 206/427
 2002/0148837 A1 * 10/2002 Apps B65D 1/243
 220/515
 2002/0195452 A1 * 12/2002 Apps B65D 1/243
 220/515
 2010/0084297 A1 * 4/2010 Apps B65D 1/243
 206/427
 2010/0084302 A1 * 4/2010 Apps B65D 1/243
 206/503
 2010/0230318 A1 * 9/2010 Stahl B65D 1/243
 206/509
 2010/0258467 A1 * 10/2010 Apps B65D 1/243
 206/427
 2010/0258469 A1 * 10/2010 Apps B65D 1/243
 206/505
 2011/0056861 A1 * 3/2011 Apps B65D 1/243
 206/499
 2011/0114641 A1 * 5/2011 Hassell B65D 1/243
 220/513

(56) **References Cited**

U.S. PATENT DOCUMENTS

3,151,799 A 10/1964 Engles, Jr. et al.
 3,229,814 A 1/1966 Cowman
 D207,807 S 5/1967 Kramer
 D229,674 S 12/1973 Quigg
 4,101,049 A 7/1978 Wallace et al.
 D254,956 S 5/1980 Gilley
 4,813,543 A 3/1989 Goldberg
 D323,416 S 1/1992 Iverson
 D327,357 S 6/1992 Rehrig
 D360,825 S 8/1995 Knoss
 5,520,010 A 5/1996 Altman
 D371,728 S 7/1996 Krueger
 D379,717 S 6/1997 Apps
 5,651,461 A 7/1997 Apps
 5,660,279 A * 8/1997 Apps B65D 1/243
 206/503
 D383,032 S 9/1997 Hollenger
 5,855,277 A 1/1999 Apps et al.
 6,038,784 A 3/2000 Dunn
 6,073,793 A * 6/2000 Apps B65D 1/243
 206/203
 6,131,730 A * 10/2000 Hsu B65D 1/243
 206/203
 D440,118 S 4/2001 Claffy
 6,454,120 B1 * 9/2002 Hammett B65D 1/243
 206/203
 D465,417 S 11/2002 Apps
 D479,414 S 9/2003 Sparkowski
 D485,756 S 1/2004 Apps

OTHER PUBLICATIONS

Examination Search Report in related Canadian Patent Application No. 2,837,799, dated Oct. 14, 2014, pp. 1-14.
 Office Action in related Canadian Patent Application No. 2,837,799, dated Aug. 18, 2015, pp. 1-3.
 U.S. Appl. No. 29/504,281, filed Oct. 3, 2014, Sidney Scott Prince.
 U.S. Appl. No. 14/136,032, filed Dec. 20, 2013, Sidney Scott Prince.
 U.S. Pat. No. 2,837,799, dated Aug. 28, 2015, Office Action.

* cited by examiner

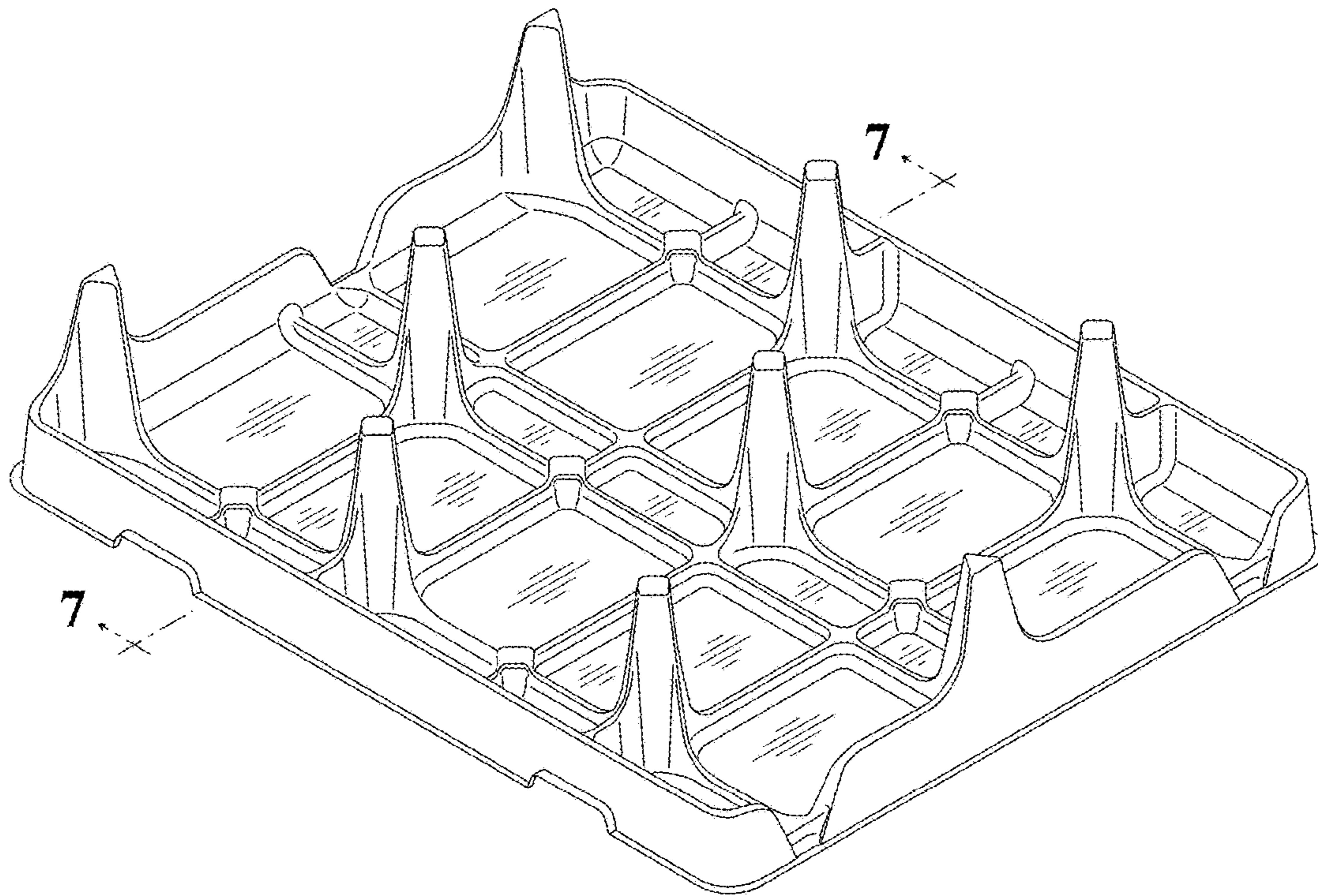


FIG. 1

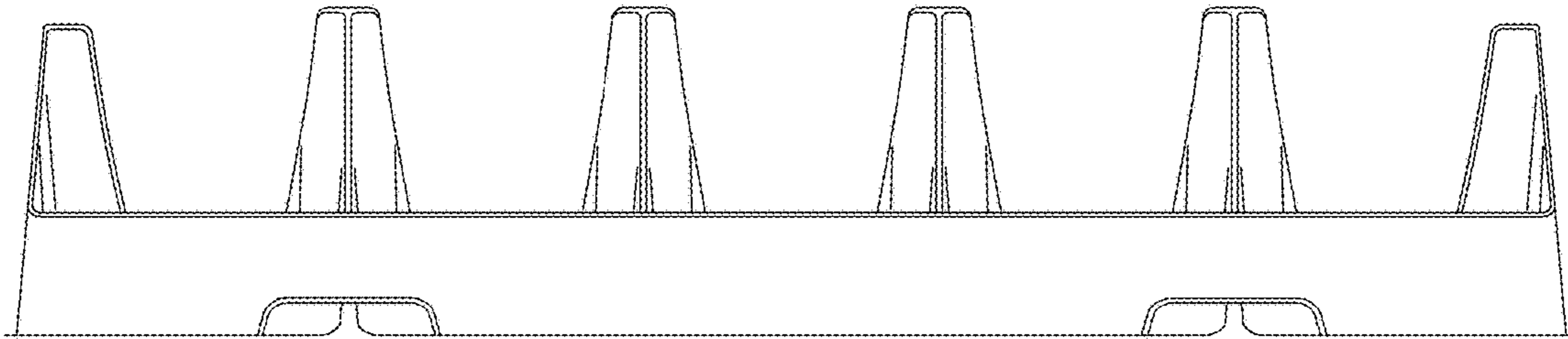


FIG. 2

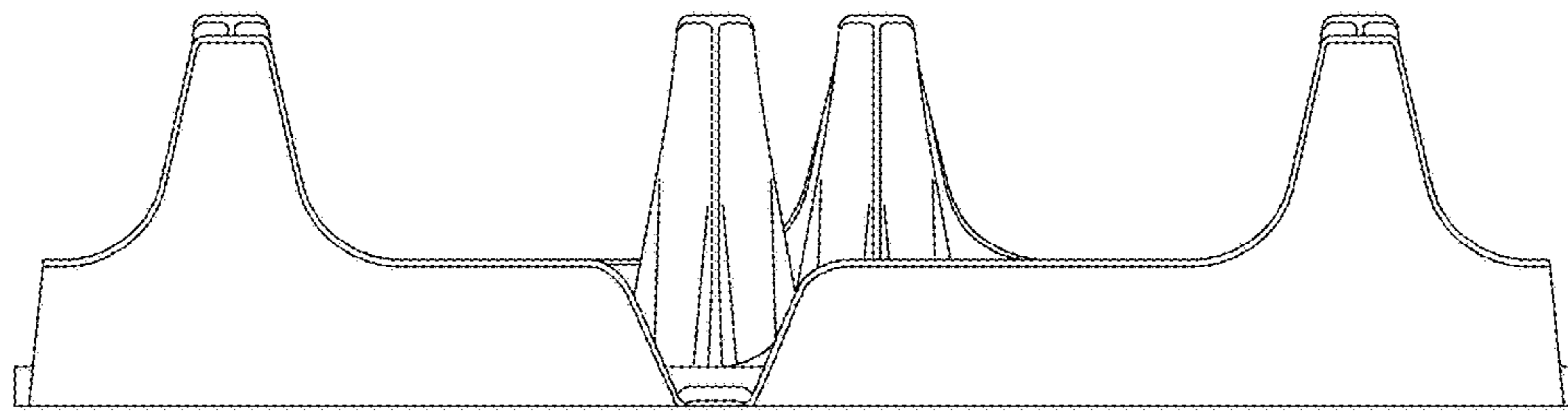


FIG. 3

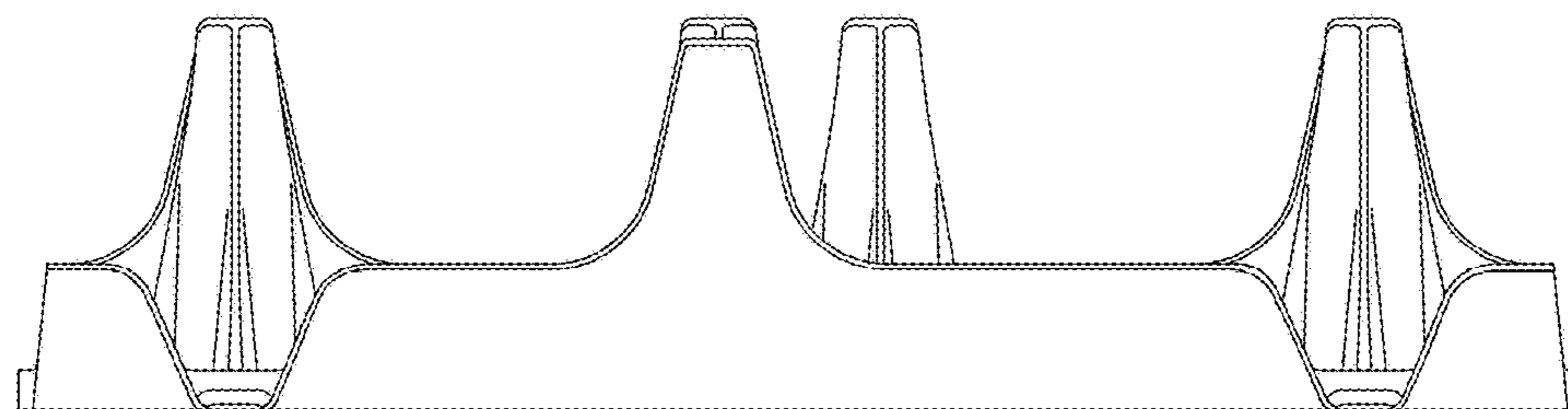


FIG. 4

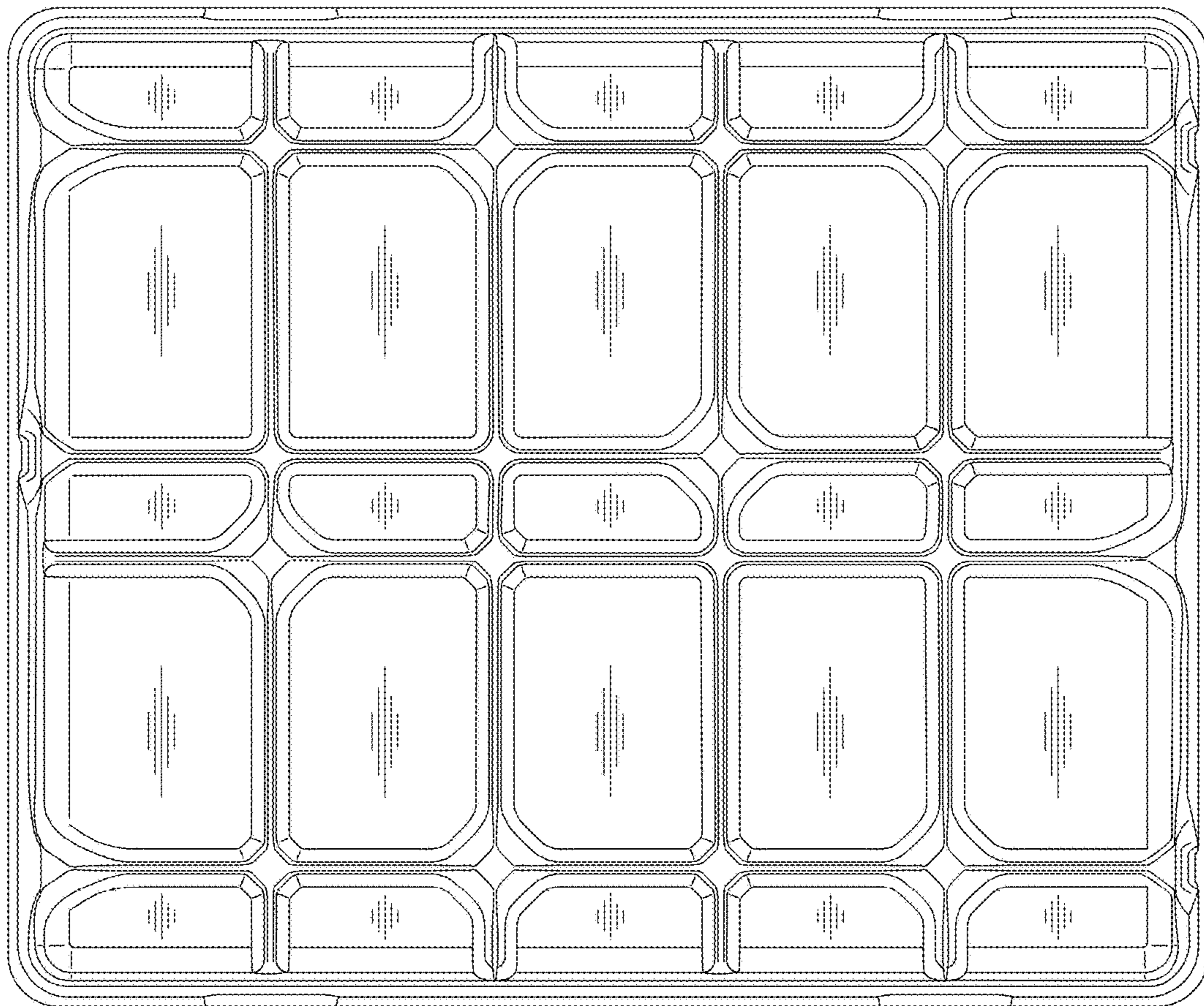


FIG. 5

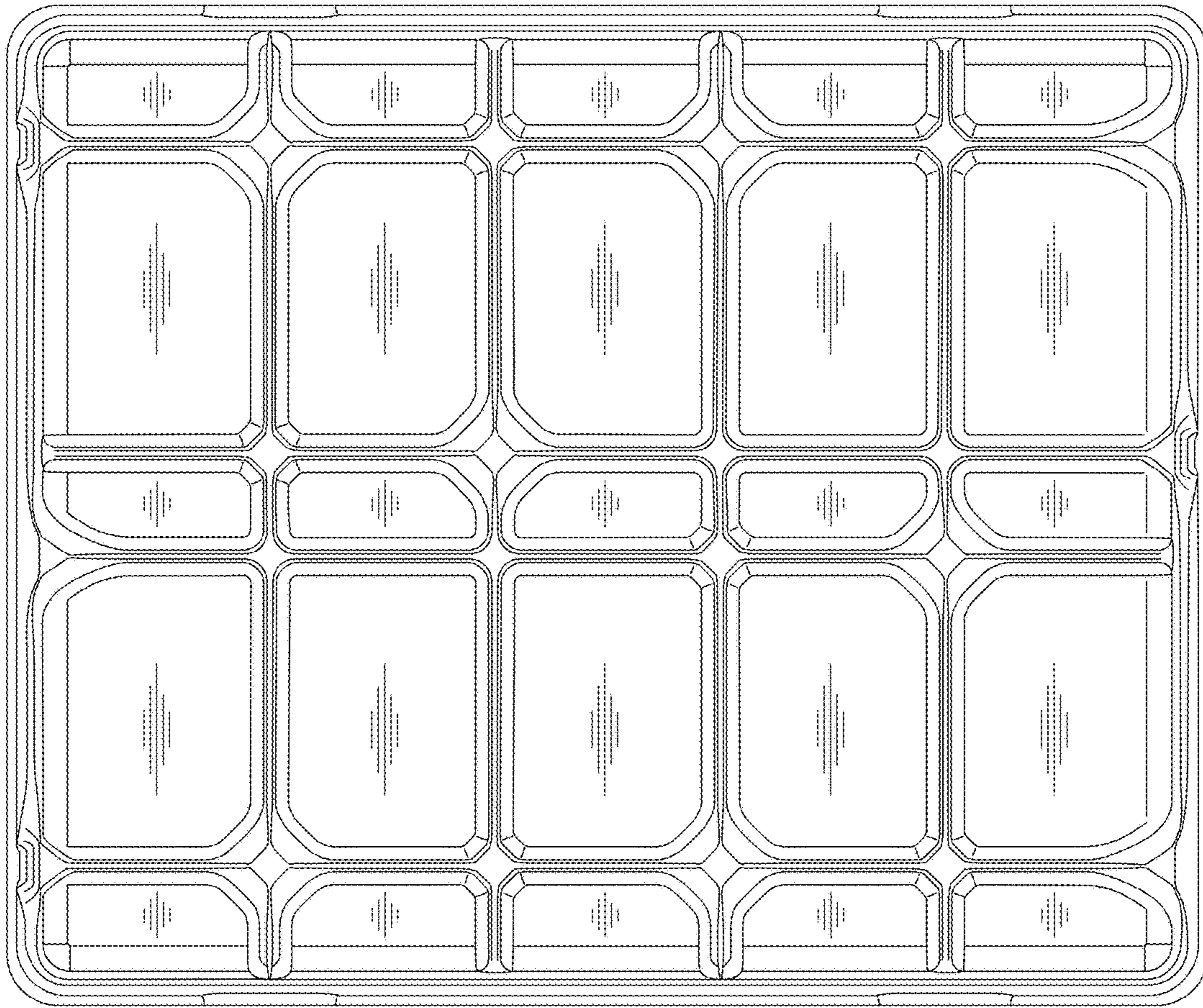


FIG. 6

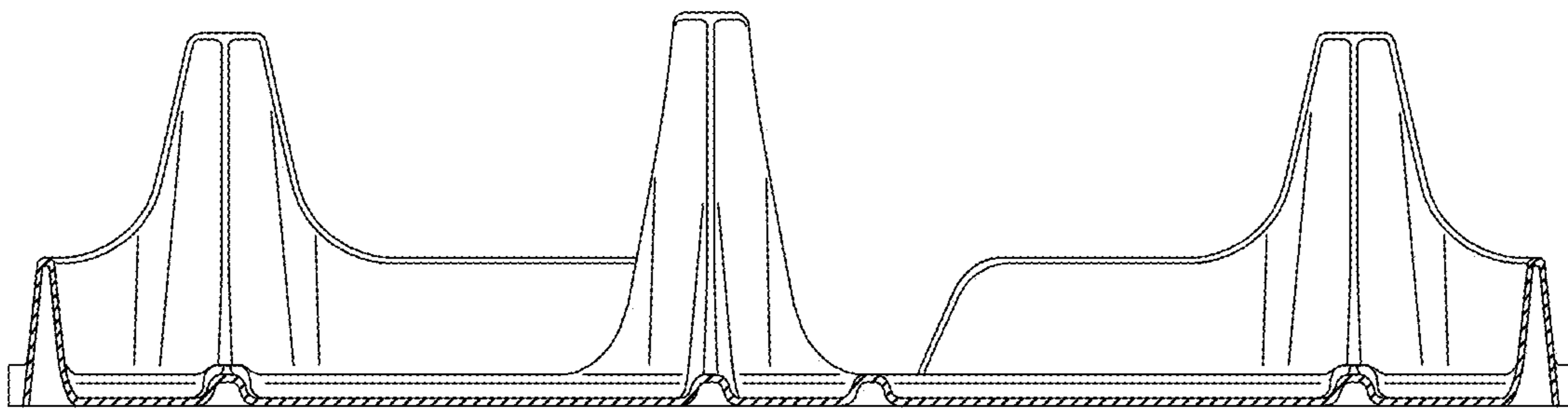


FIG. 7