



US00D813033S

(12) **United States Design Patent**
Horn

(10) **Patent No.:** **US D813,033 S**
(45) **Date of Patent:** **** Mar. 20, 2018**

(54) **CAP WITH A WRITE-ON SURFACE AND WRITING IMPLEMENT HOLDER**

(71) Applicant: **Kimberlee A Horn**, Crawfordsville, IN (US)

(72) Inventor: **Kimberlee A Horn**, Crawfordsville, IN (US)

(**) Term: **15 Years**

(21) Appl. No.: **29/542,682**

(22) Filed: **Oct. 16, 2015**

(51) **LOC (11) Cl.** **09-07**

(52) **U.S. Cl.**
USPC **D9/436; D9/449**

(58) **Field of Classification Search**
USPC D7/300.2, 305, 316, 397, 510, 635;
D9/434-436, 438, 439, 440, 443, 447,
(Continued)

(56) **References Cited**

U.S. PATENT DOCUMENTS

D380,674 S * 7/1997 Smith D9/717
D589,793 S * 4/2009 Christensen D9/434
(Continued)

Primary Examiner — Robert M. Spear

Assistant Examiner — Darcey E Heflin

(74) *Attorney, Agent, or Firm* — James Ray and Associates; Alexander Pokot

(57) **CLAIM**

The ornamental design for a cap with a write-on surface and writing implement holder, as shown and described.

DESCRIPTION

FIG. 1 depicts a perspective view of one embodiment of a cap showing my new design.

FIG. 2 is a front view of the cap of FIG. 1.
FIG. 3 depicts a rear view of the cap in FIG. 1.
FIG. 4 depicts a right view of the cap in FIG. 1.
FIG. 5 depicts a left side view of the cap in FIG. 1.
FIG. 6 depicts a top view of the cap in FIG. 1.
FIG. 7 depicts a bottom view of the cap in FIG. 1.
FIG. 8 depicts an exploded perspective environmental view of the cap in FIG. 1 for a medicine container with a writing implement.

FIG. 9 depicts another perspective view of the cap in FIG. 1.

FIG. 10 depicts a perspective view of another embodiment of a cap showing my new design;

FIG. 11 is a front view of the cap of FIG. 10.

FIG. 12 depicts a rear view of the cap in FIG. 10.

FIG. 13 depicts a right view of the cap in FIG. 10.

FIG. 14 depicts a left side view of the cap in FIG. 10.

FIG. 15 depicts a top view of the cap in FIG. 10.

FIG. 16 depicts a bottom view of the cap in FIG. 10.

FIG. 17 depicts another perspective view of the cap in FIG. 10.

FIG. 18 depicts a perspective view of another embodiment of a cap showing my new design.

FIG. 19 is a front view of the cap of FIG. 18.

FIG. 20 depicts a rear view of the cap in FIG. 18.

FIG. 21 depicts a right view of the cap in FIG. 18.

FIG. 22 depicts a left side view of the cap in FIG. 18.

FIG. 23 depicts a top view of the cap in FIG. 18.

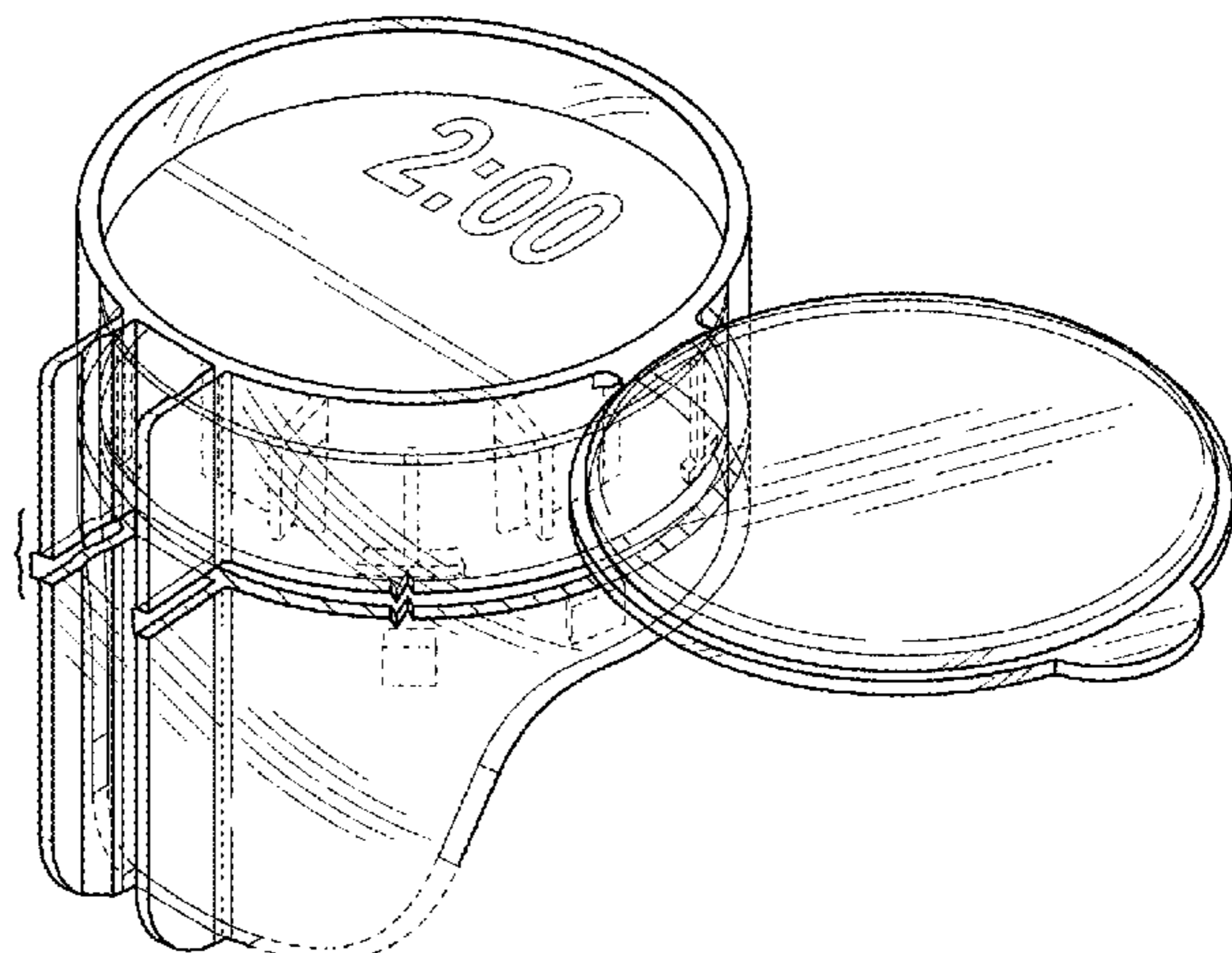
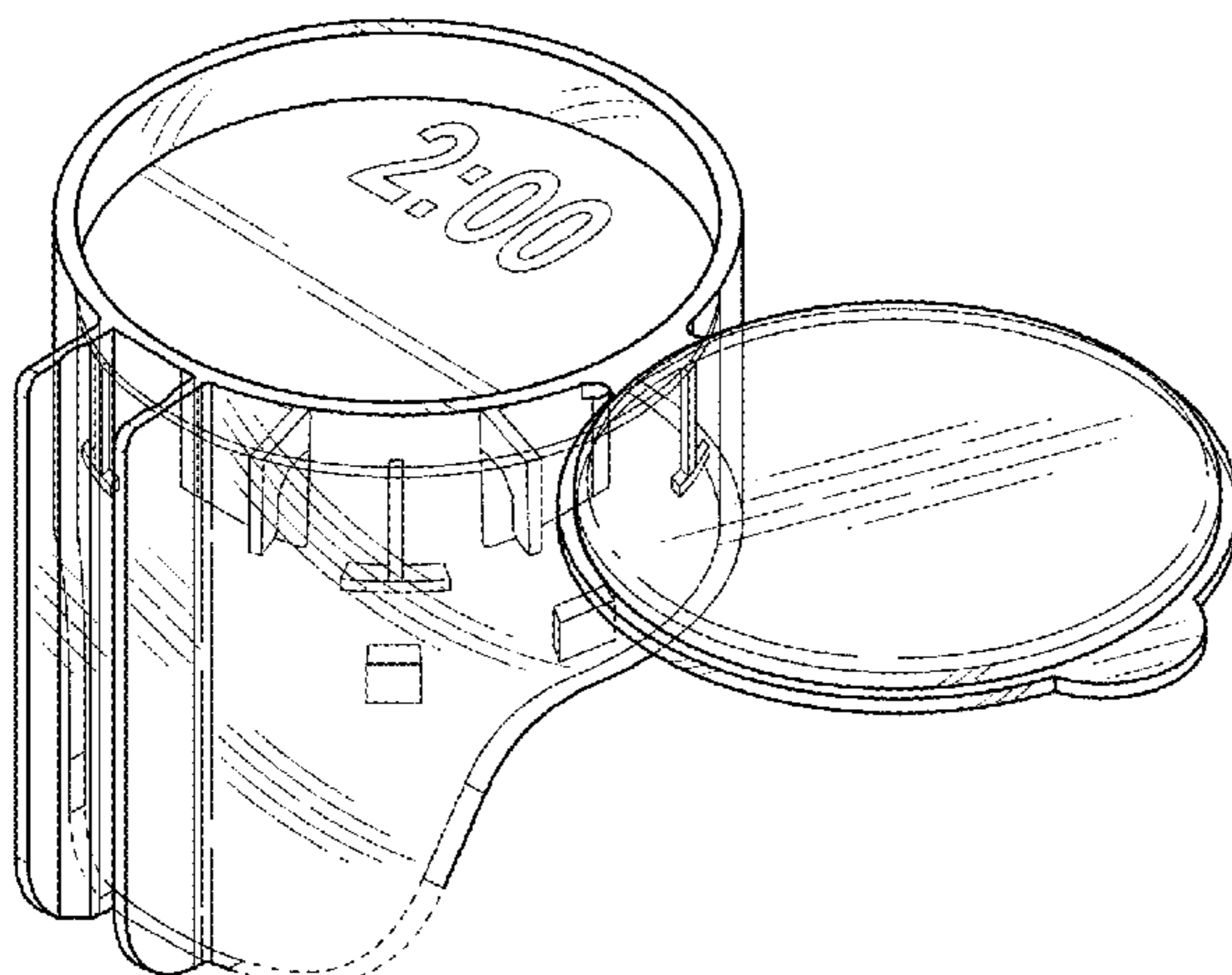
FIG. 24 depicts a bottom view of the cap in FIG. 18.

FIG. 25 depicts an exploded perspective environmental view of the cap in FIG. 18 for a medicine container with a writing implement; and,

FIG. 26 depicts another perspective view of the cap in FIG. 18.

The objects shown in broken, phantom lines are provided for environmental purposes only and form no part of the claimed design. In FIGS. 10-17, the cap is shown with a symbolic break in its midsection. The appearance of any portion of the article between the break lines forms no part of the claimed design.

1 Claim, 11 Drawing Sheets



(58) **Field of Classification Search**

USPC D9/449, 450, 454, 499, 715, 717, 718,
D9/719; D23/260, 269, 390
CPC B65D 23/12; B65D 51/18; B65D 25/20
See application file for complete search history.

(56) **References Cited**

U.S. PATENT DOCUMENTS

D612,237 S *	3/2010	Richey	D9/447
D630,405 S *	1/2011	Healy	D34/10
D707,492 S *	6/2014	George	D7/510
D733,418 S *	7/2015	Horn	D3/203.2
D746,679 S *	1/2016	Jasso Gomez	D9/443
D747,157 S *	1/2016	Pasho	D7/620
D752,381 S *	3/2016	Wahl	D7/392.1
2014/0209489 A1 *	7/2014	Horn	B65D 25/20 206/216
2015/0047998 A1 *	2/2015	Horn	B65D 67/02 206/459.5
2015/0108016 A1 *	4/2015	Horn	A61J 1/00 206/232
2015/0108027 A1 *	4/2015	Horn	A61J 7/04 206/459.1

* cited by examiner

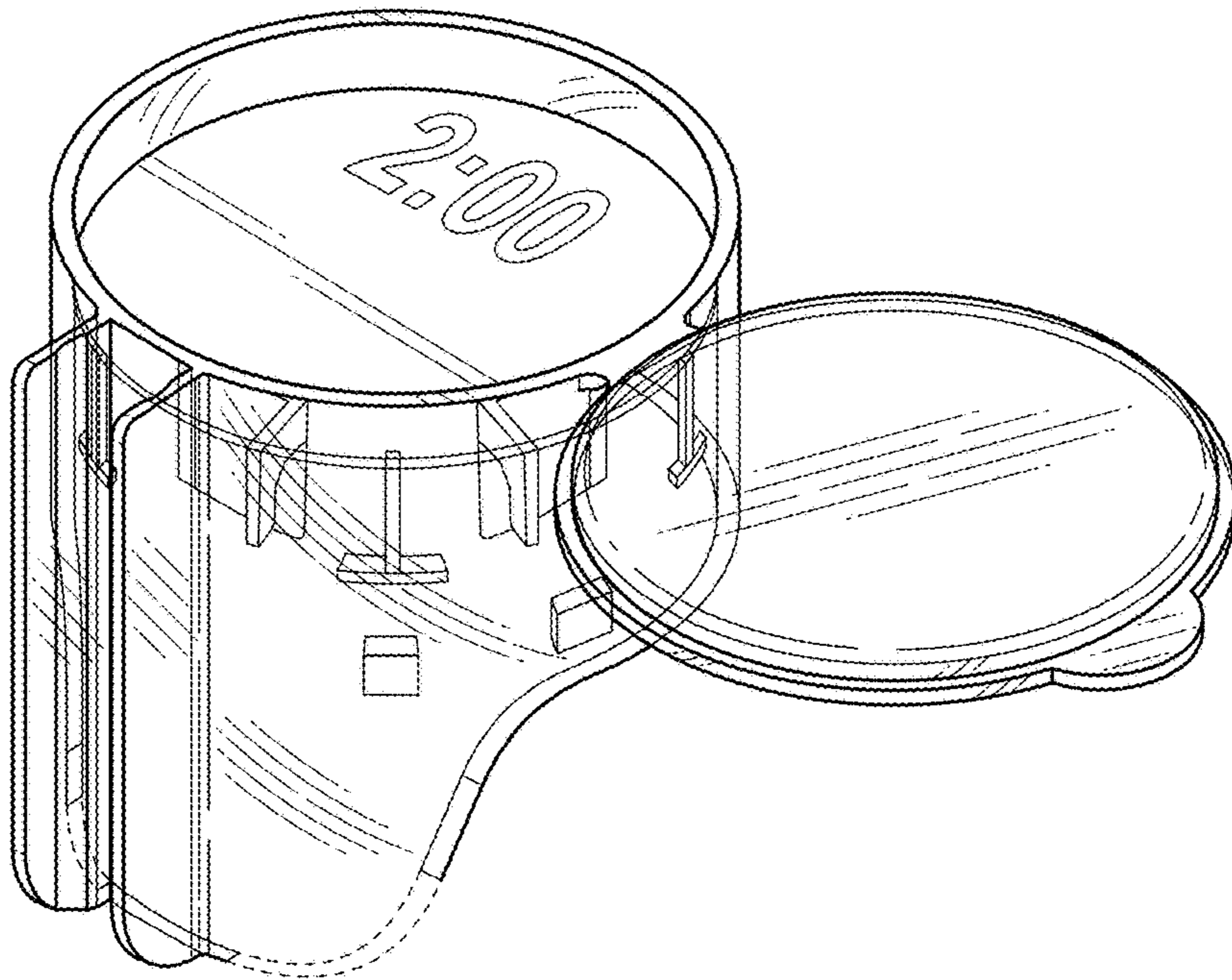


FIG. 1

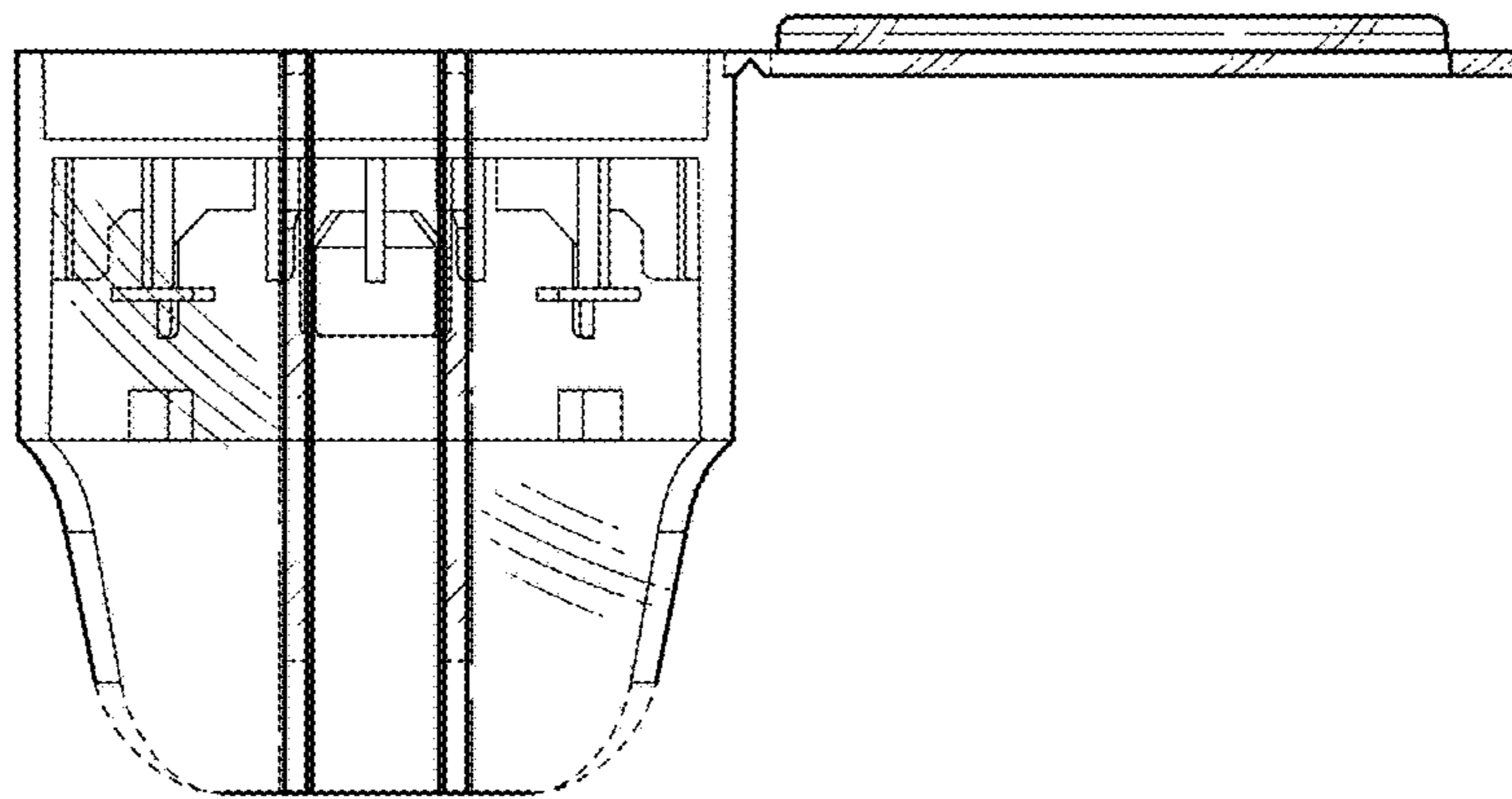


FIG. 2

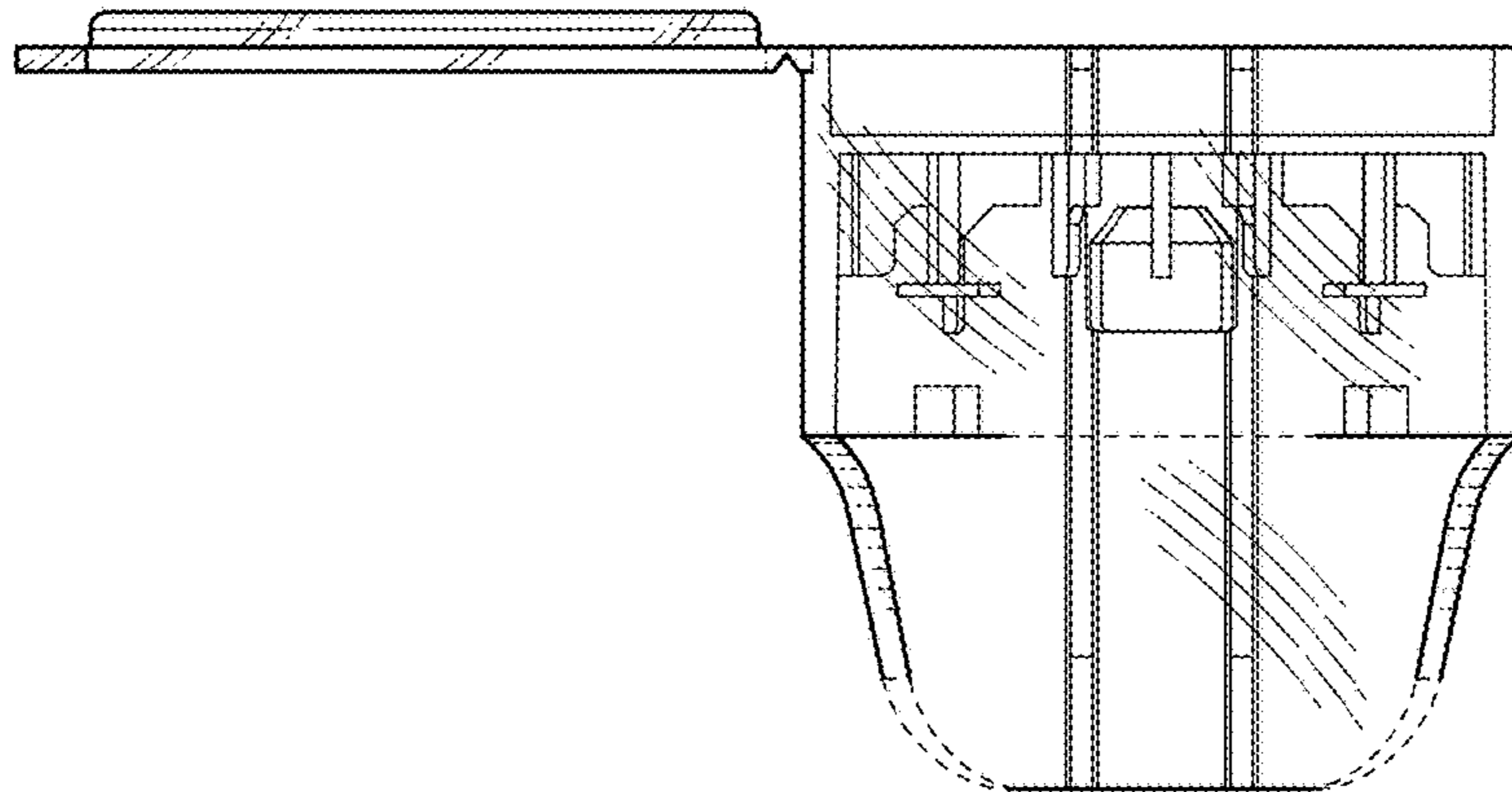


FIG. 3

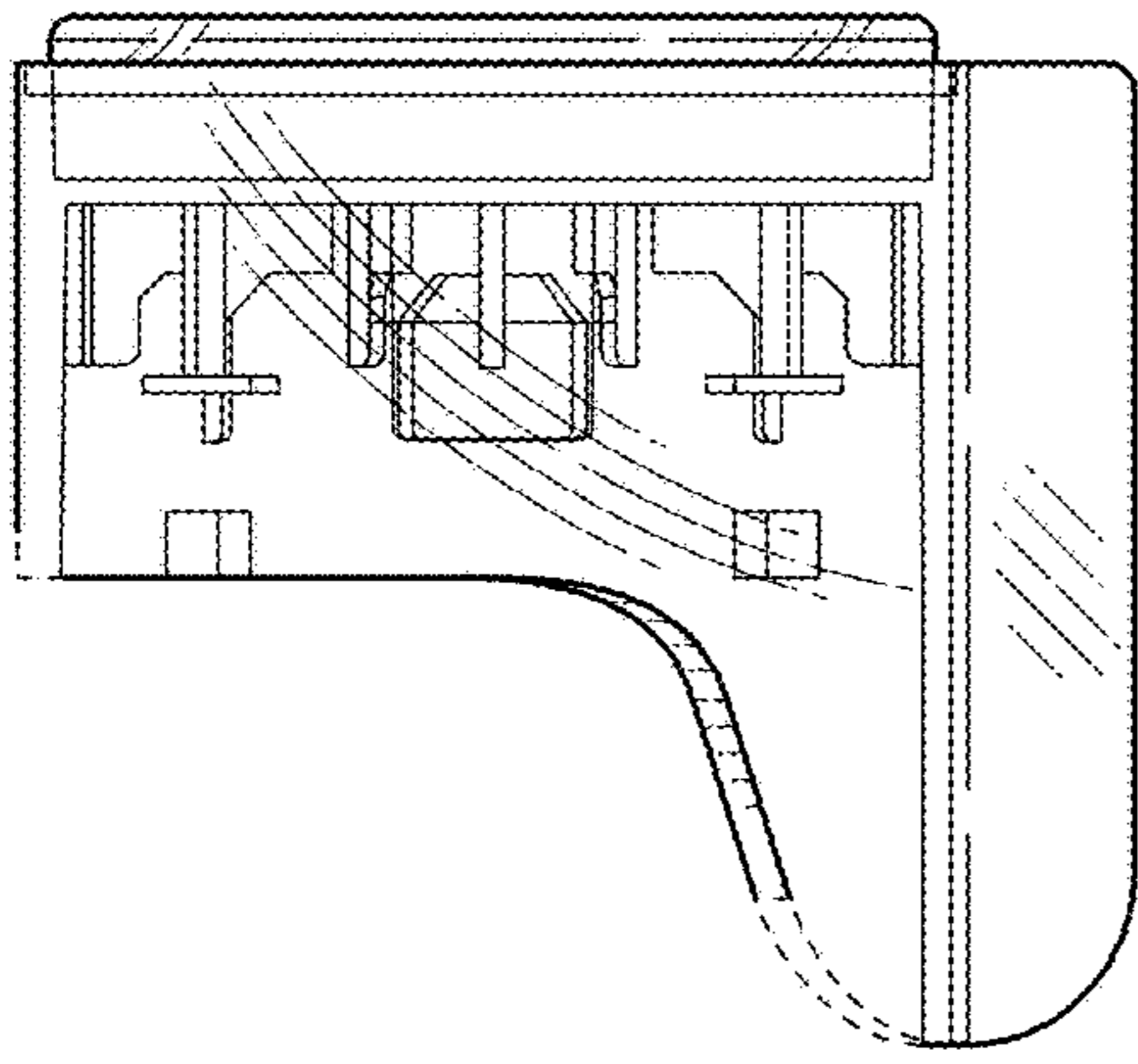


FIG. 4

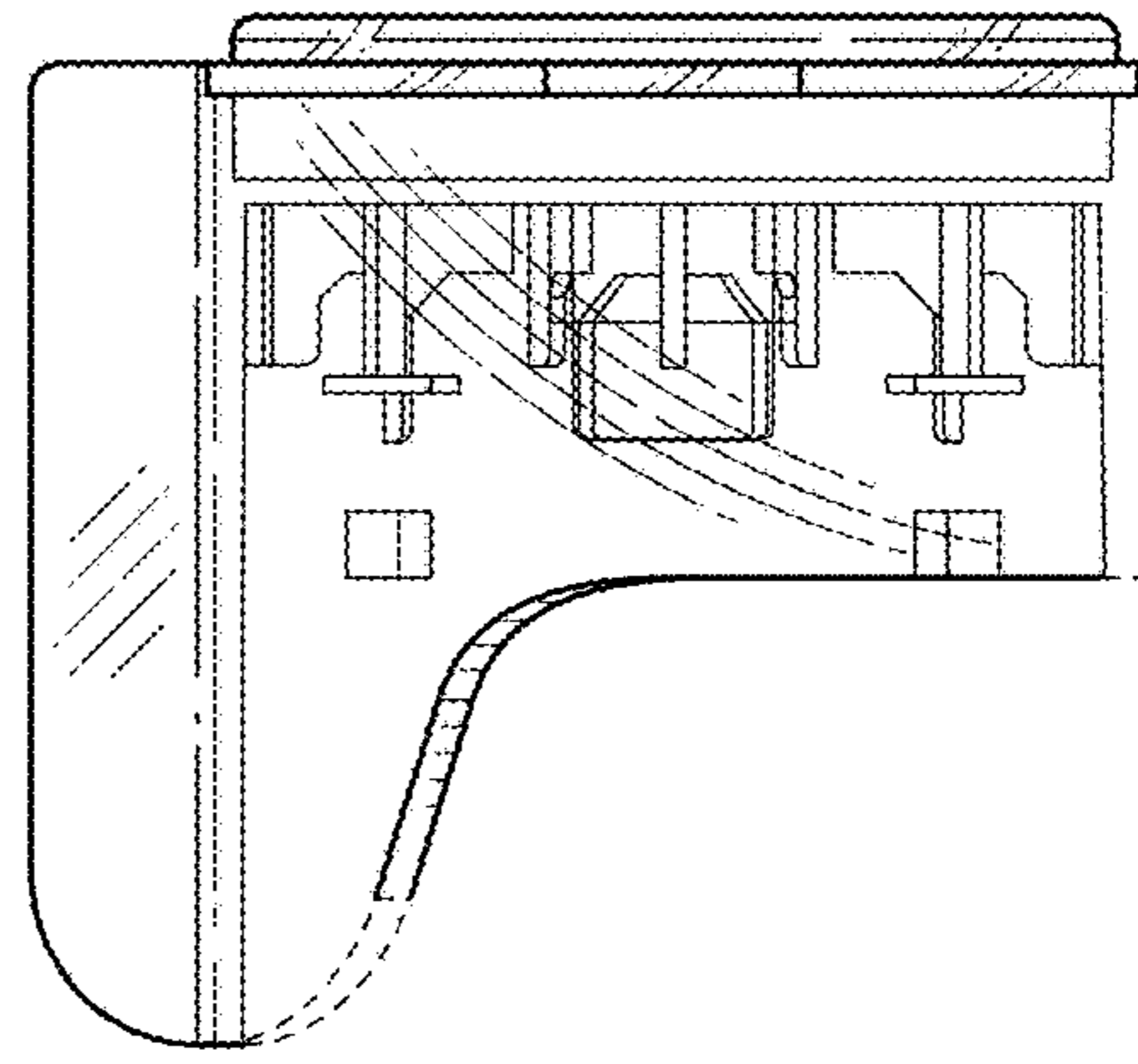


FIG. 5

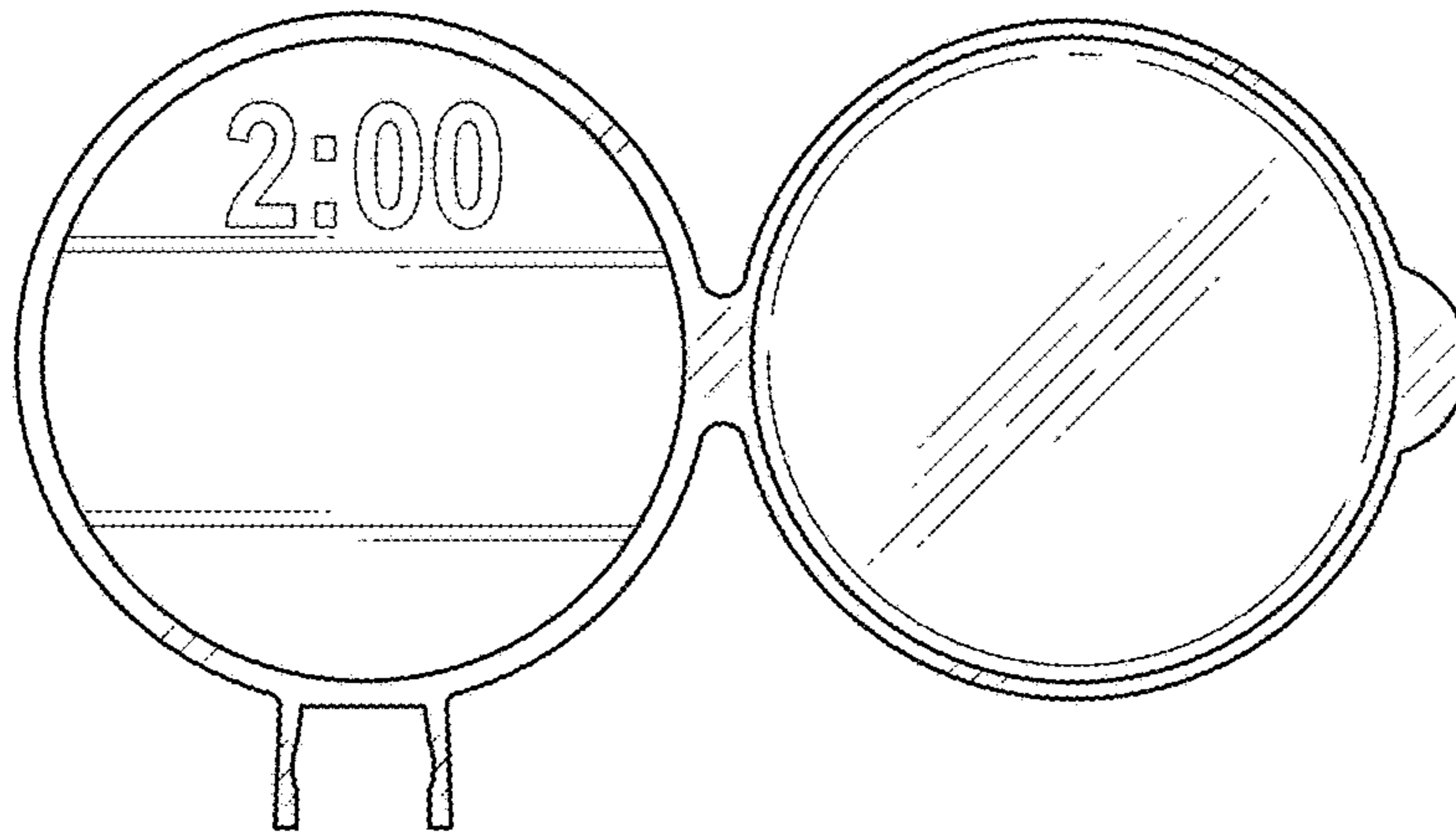


FIG. 6

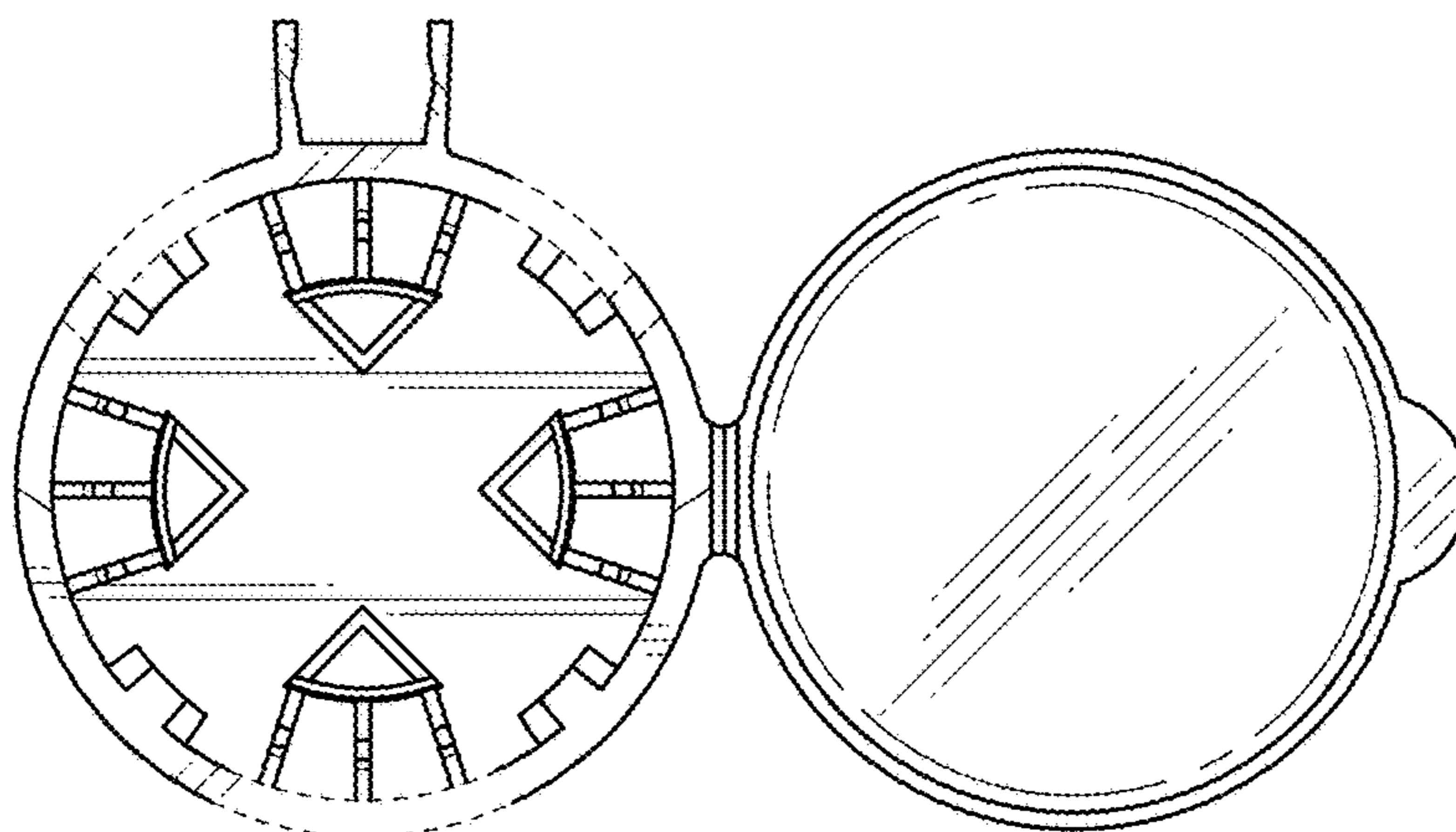


FIG. 7

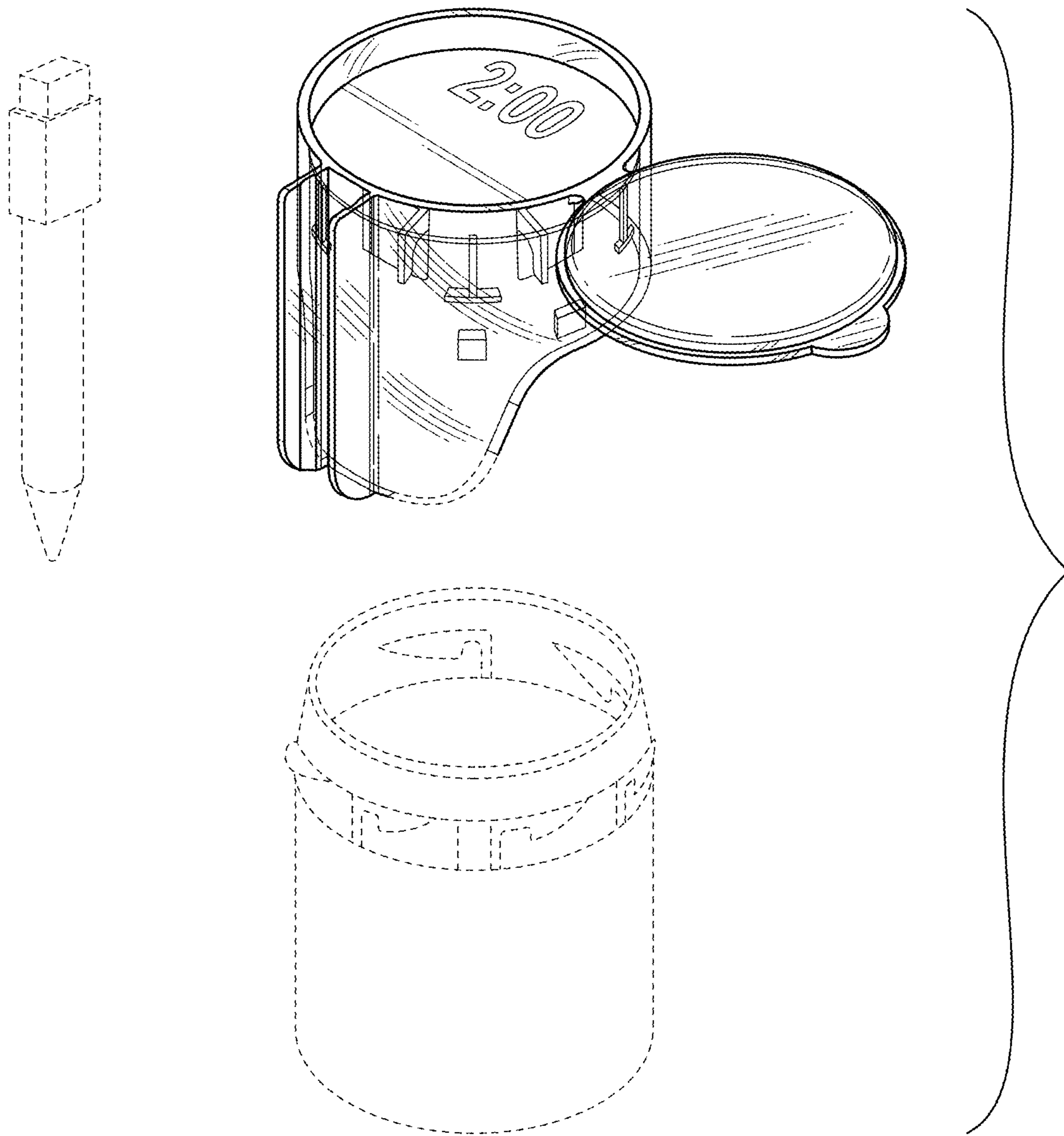


FIG. 8

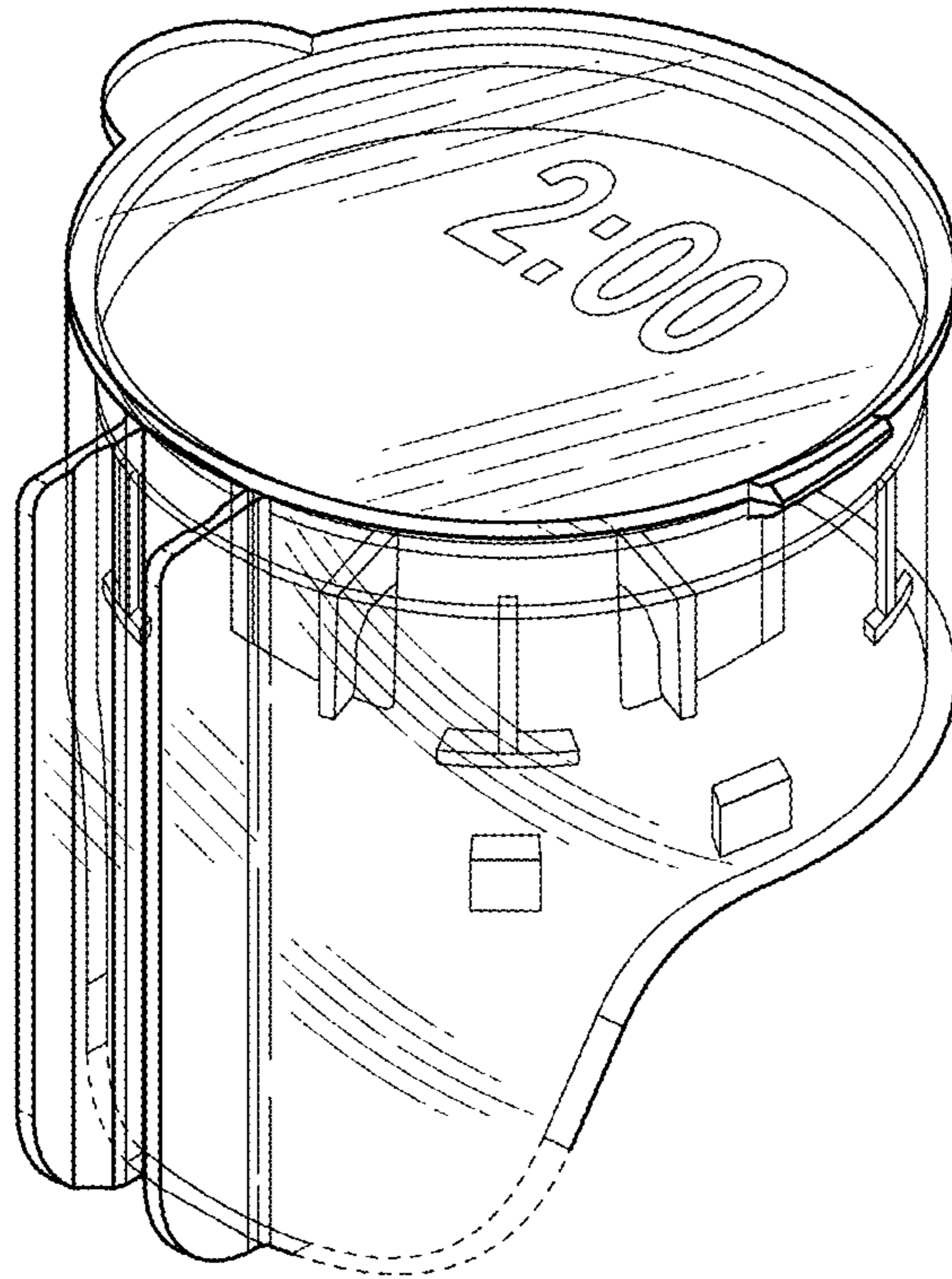


FIG. 9

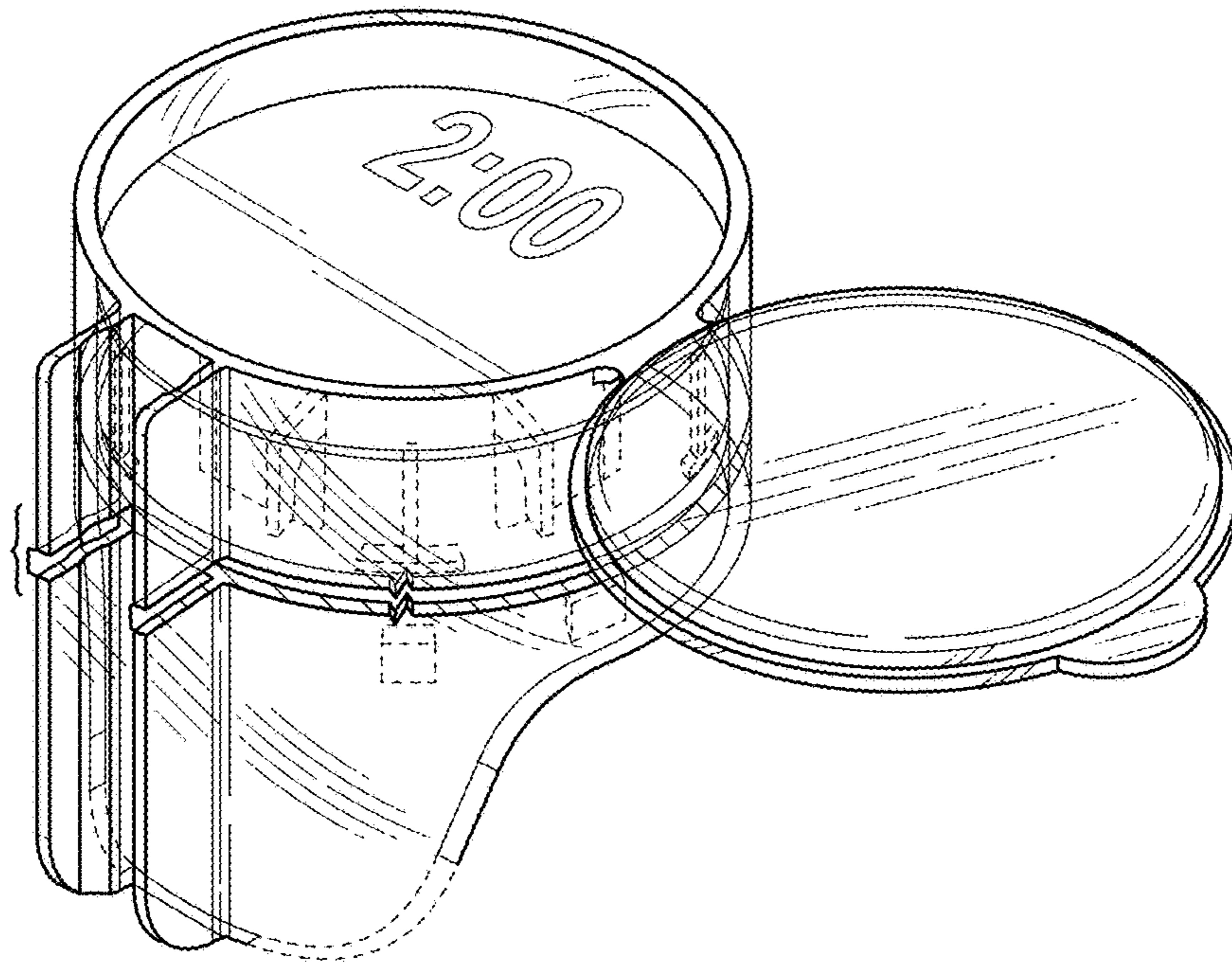


FIG. 10

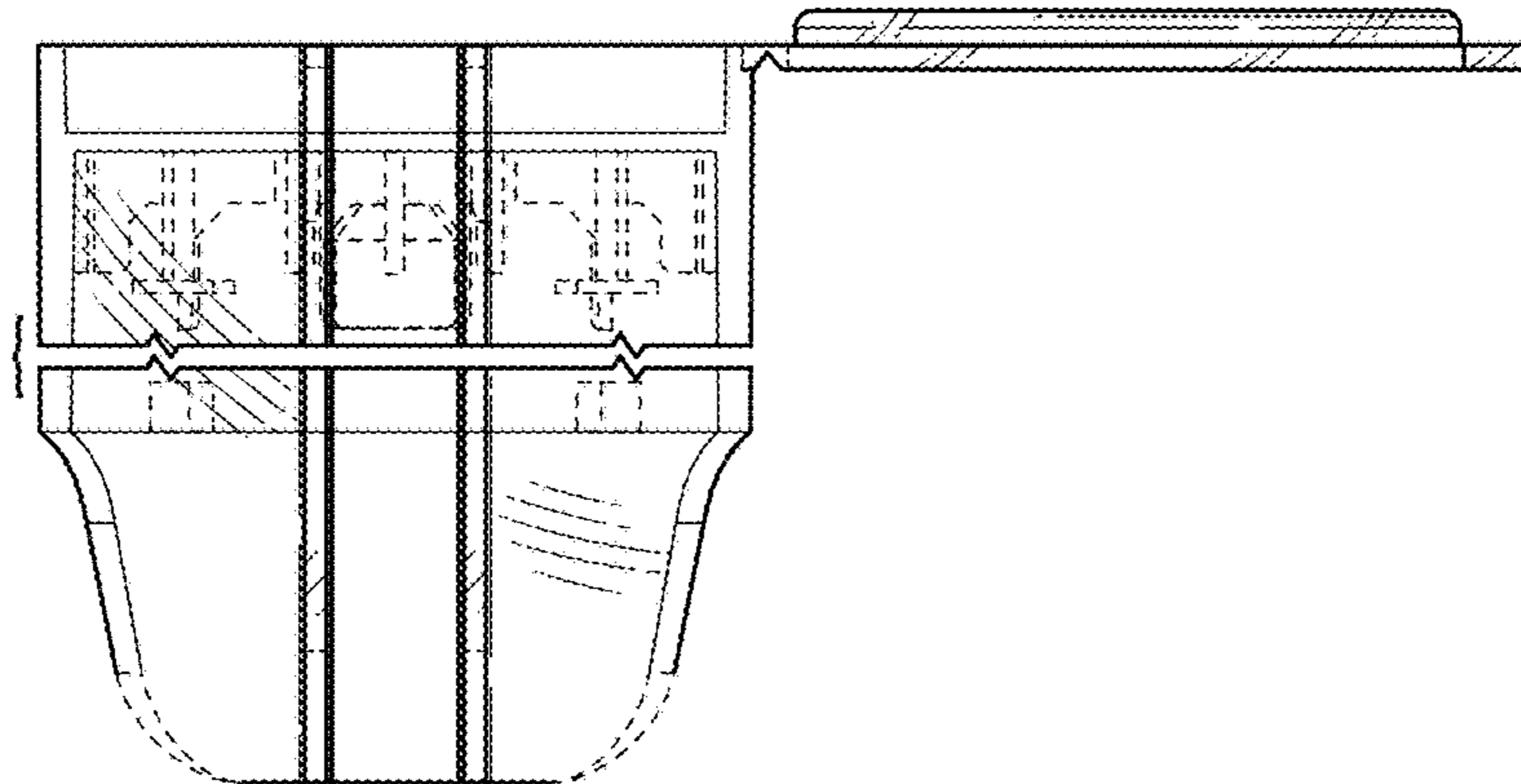


FIG. 11

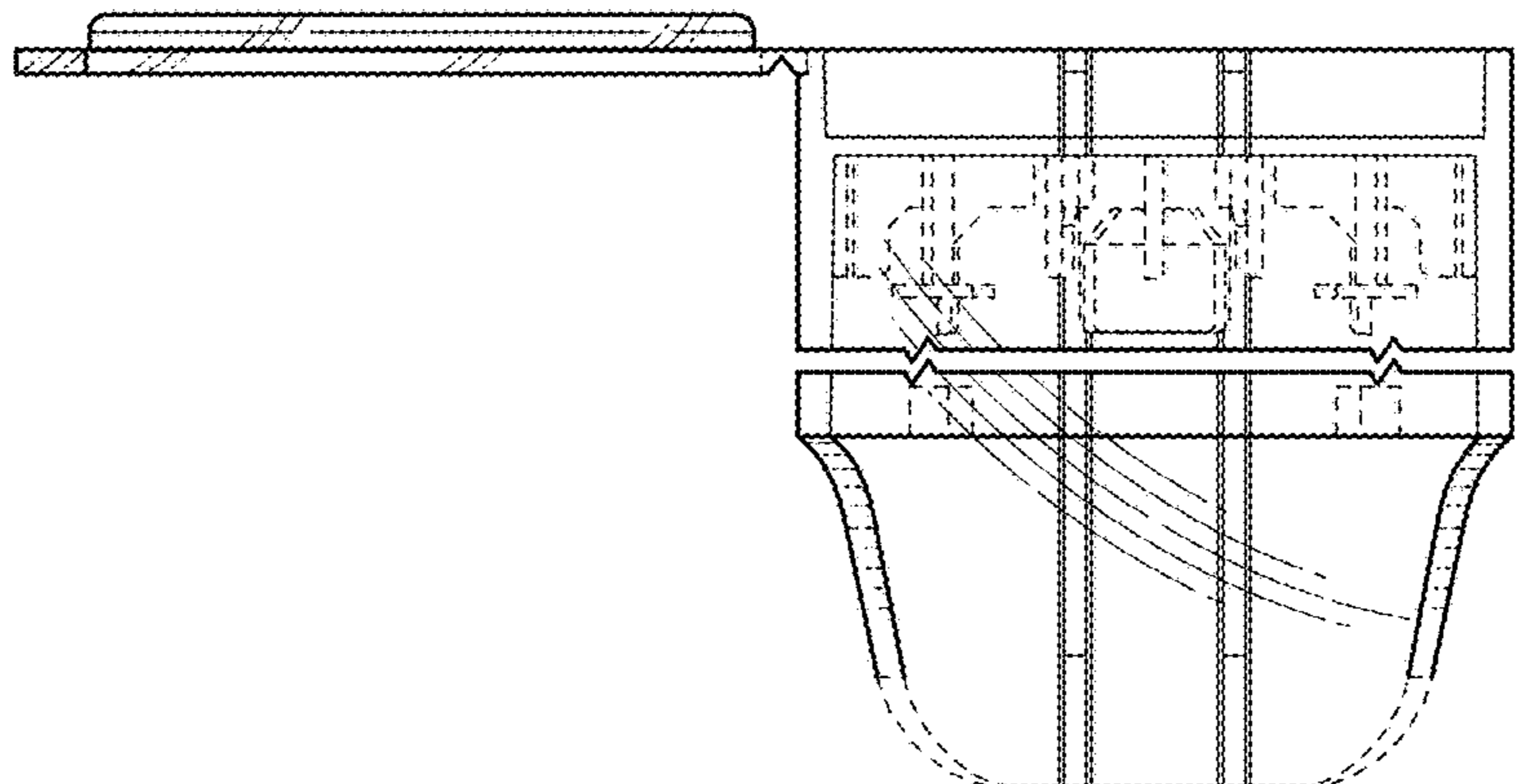


FIG. 12

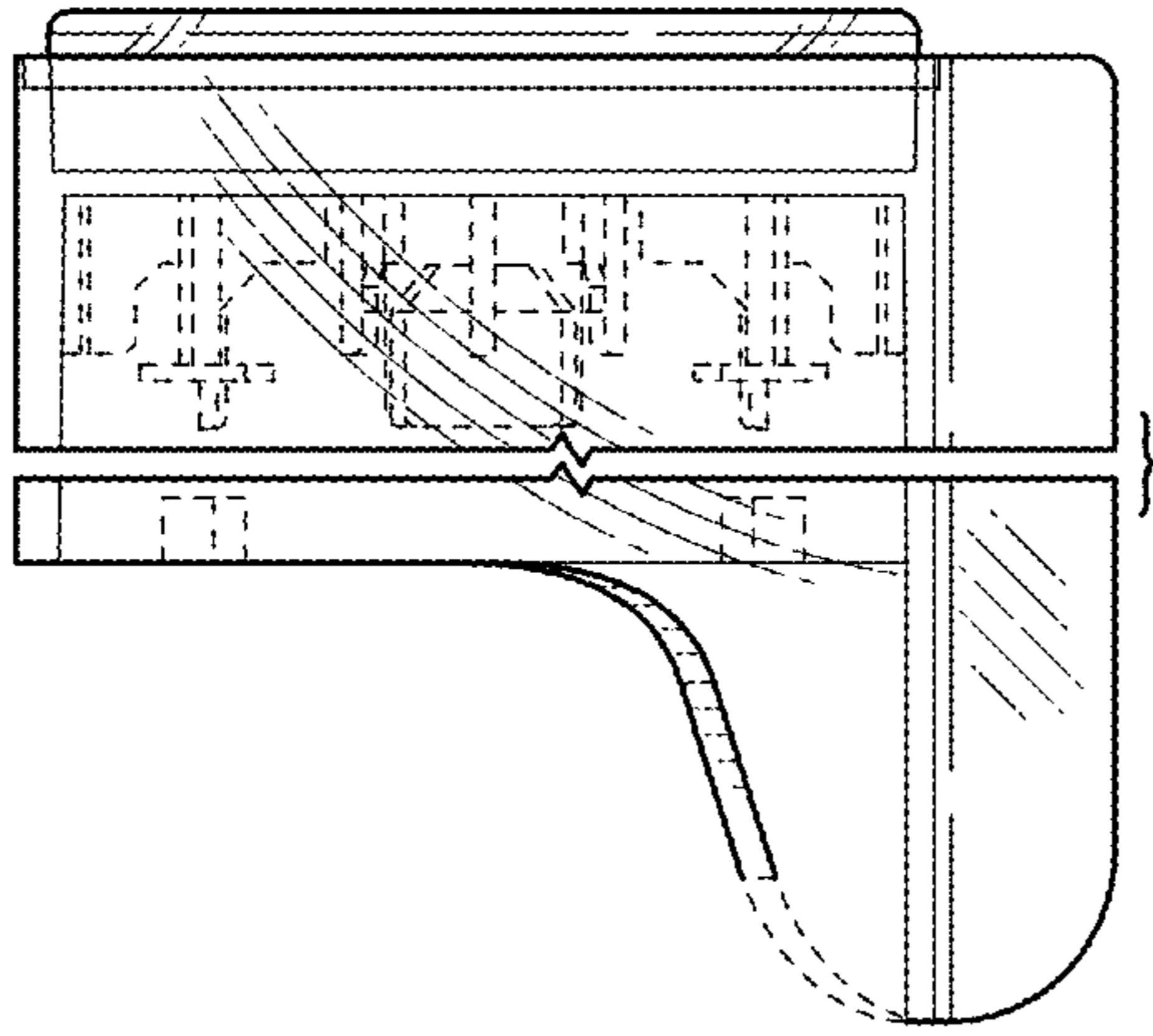


FIG. 13

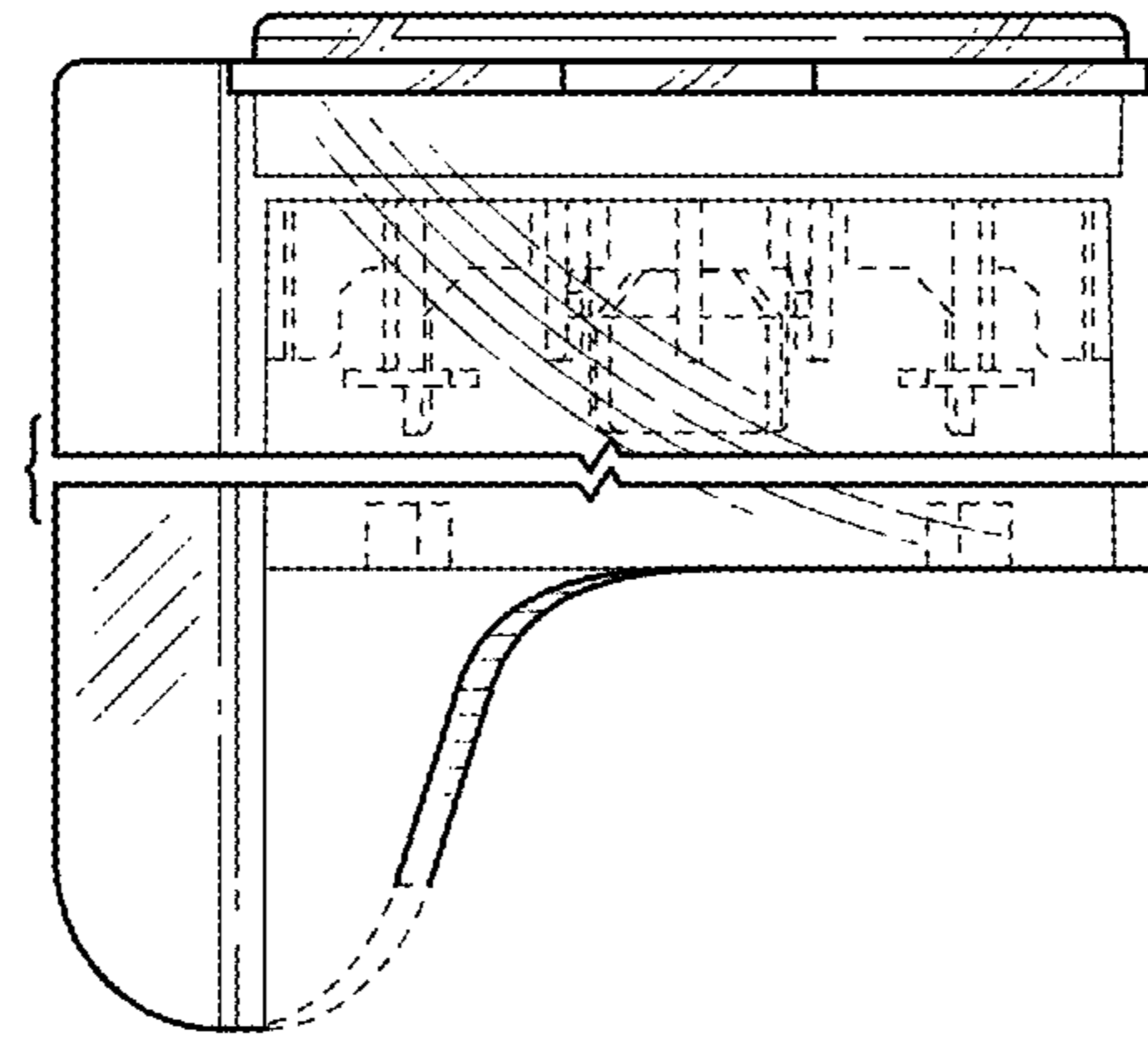


FIG. 14

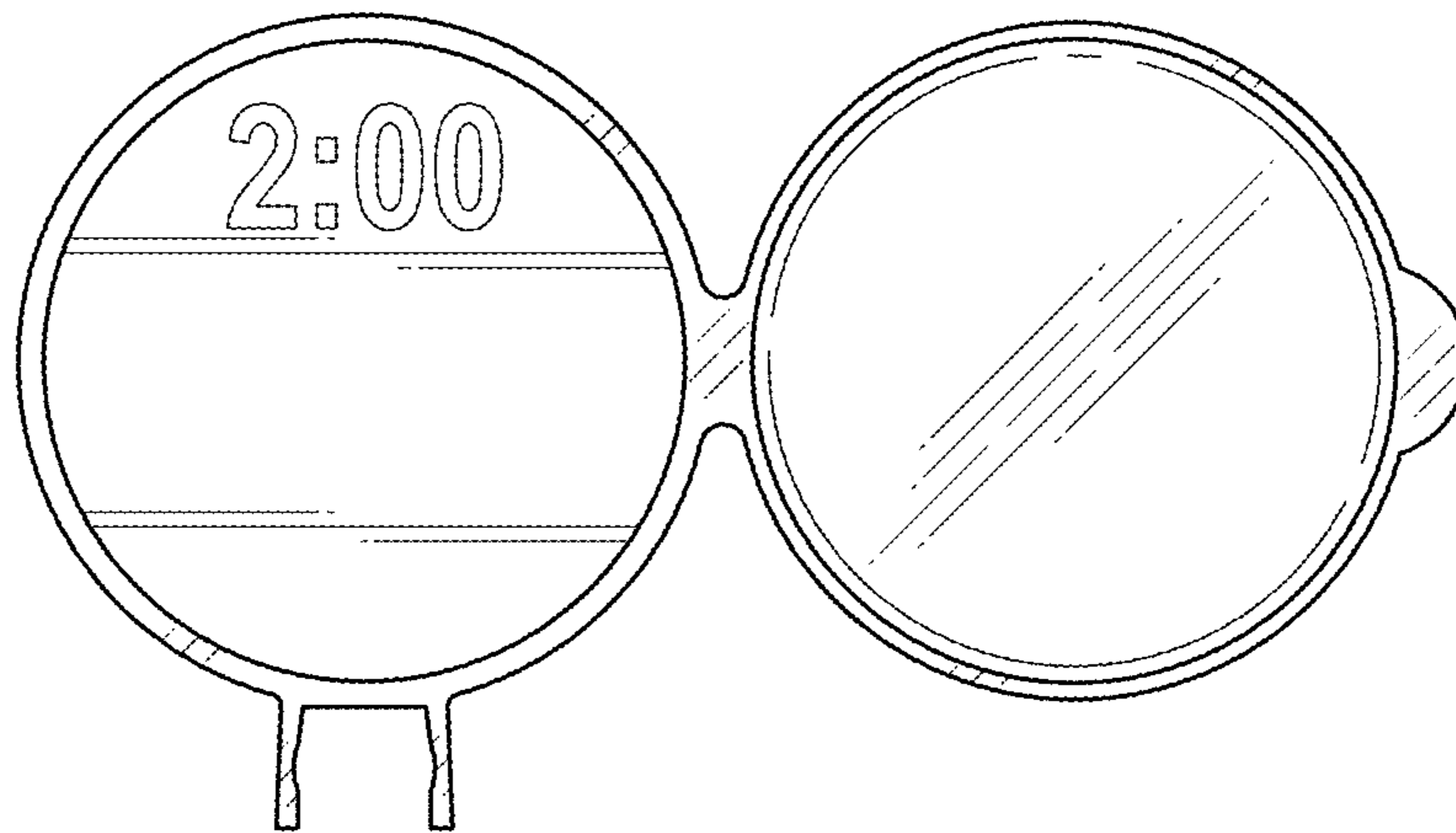


FIG. 15

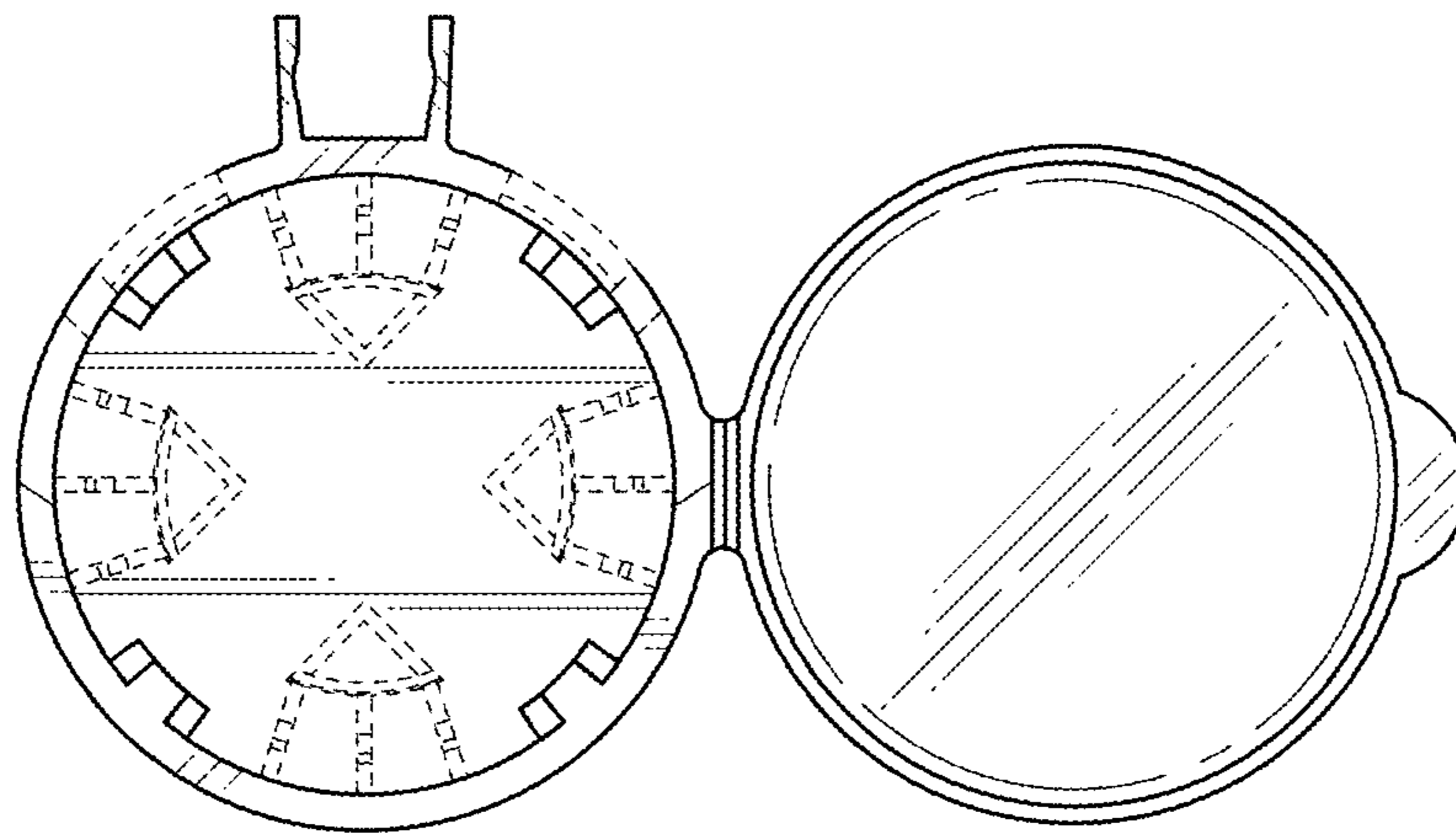


FIG. 16

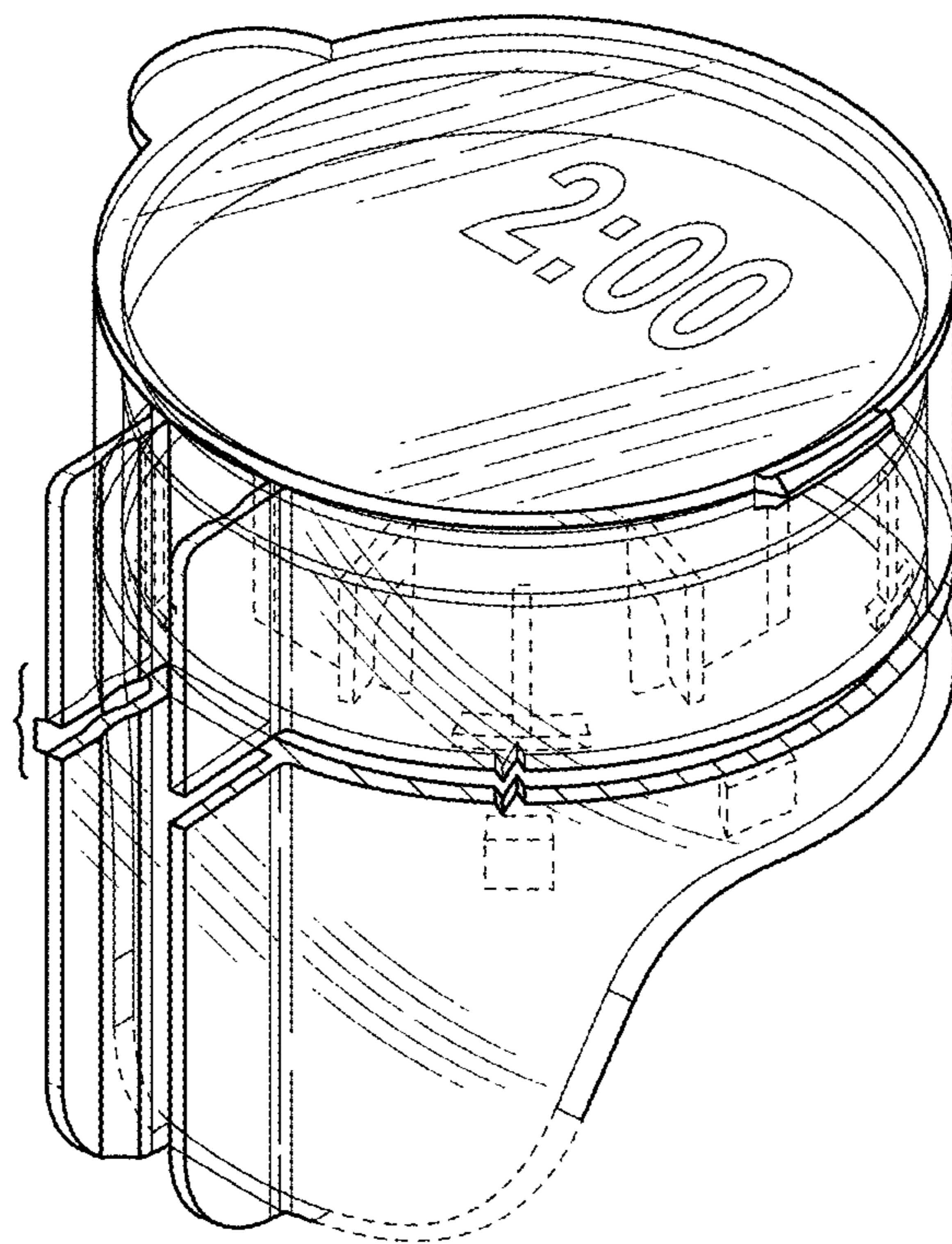


FIG. 17

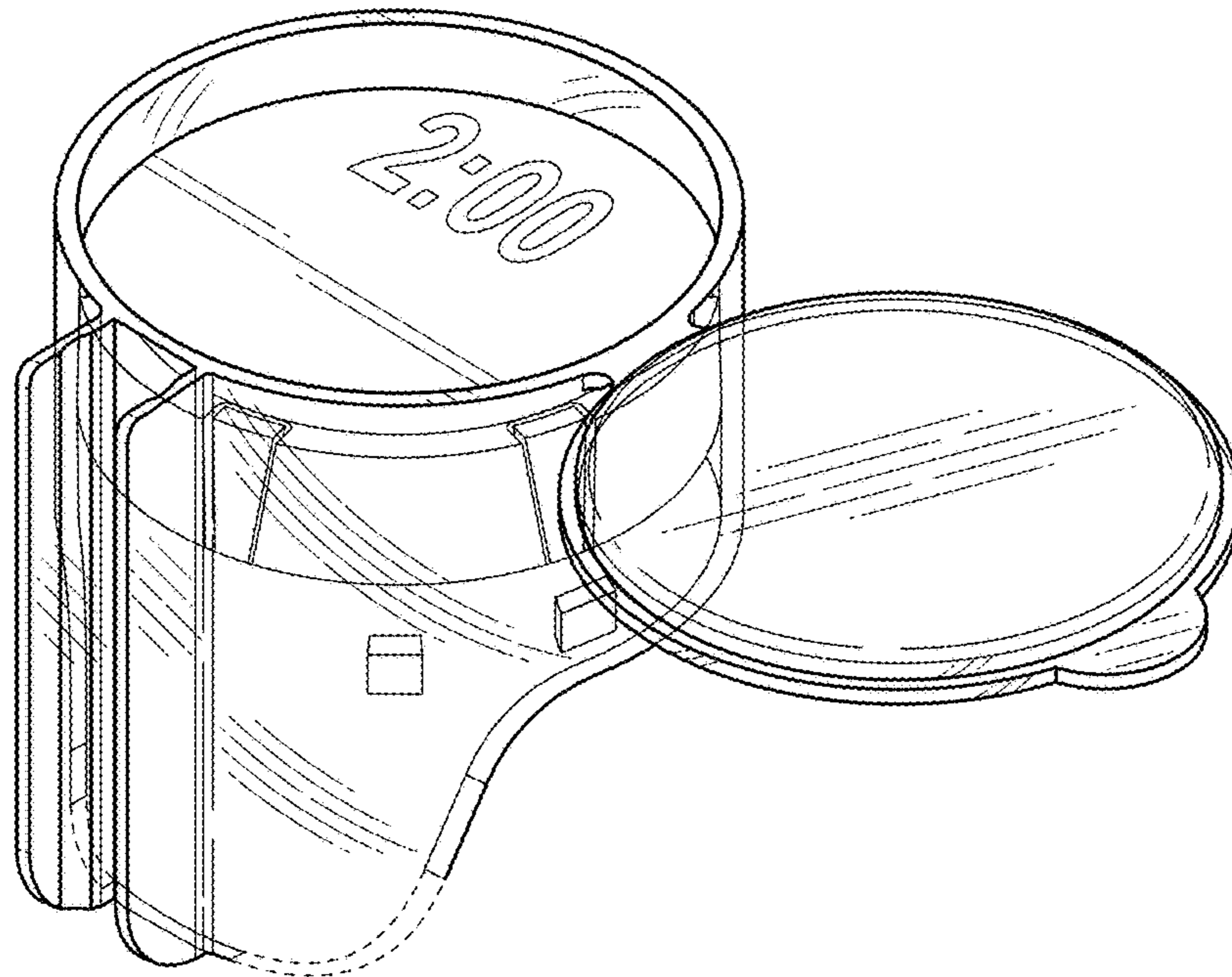


FIG. 18

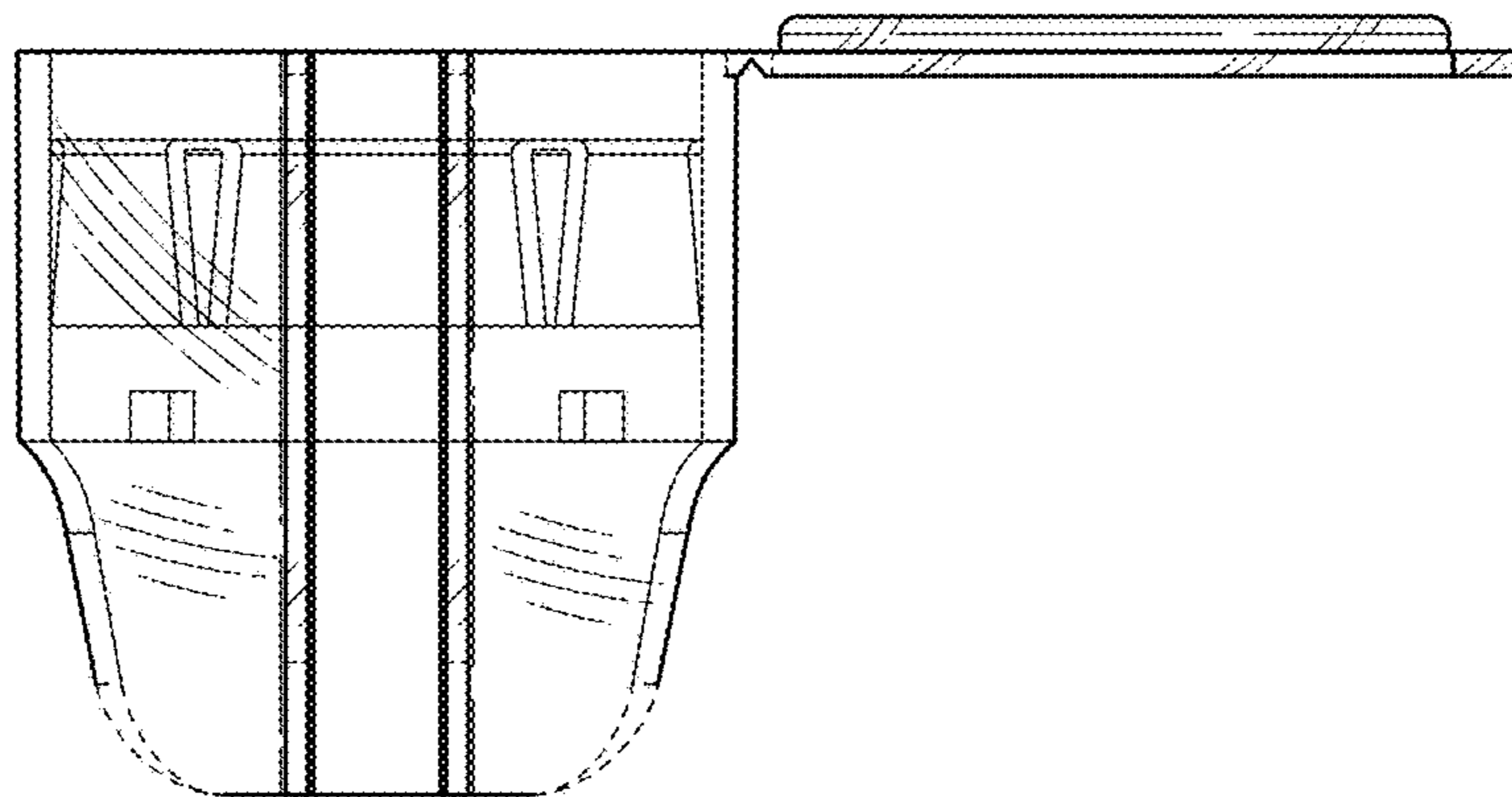


FIG. 19

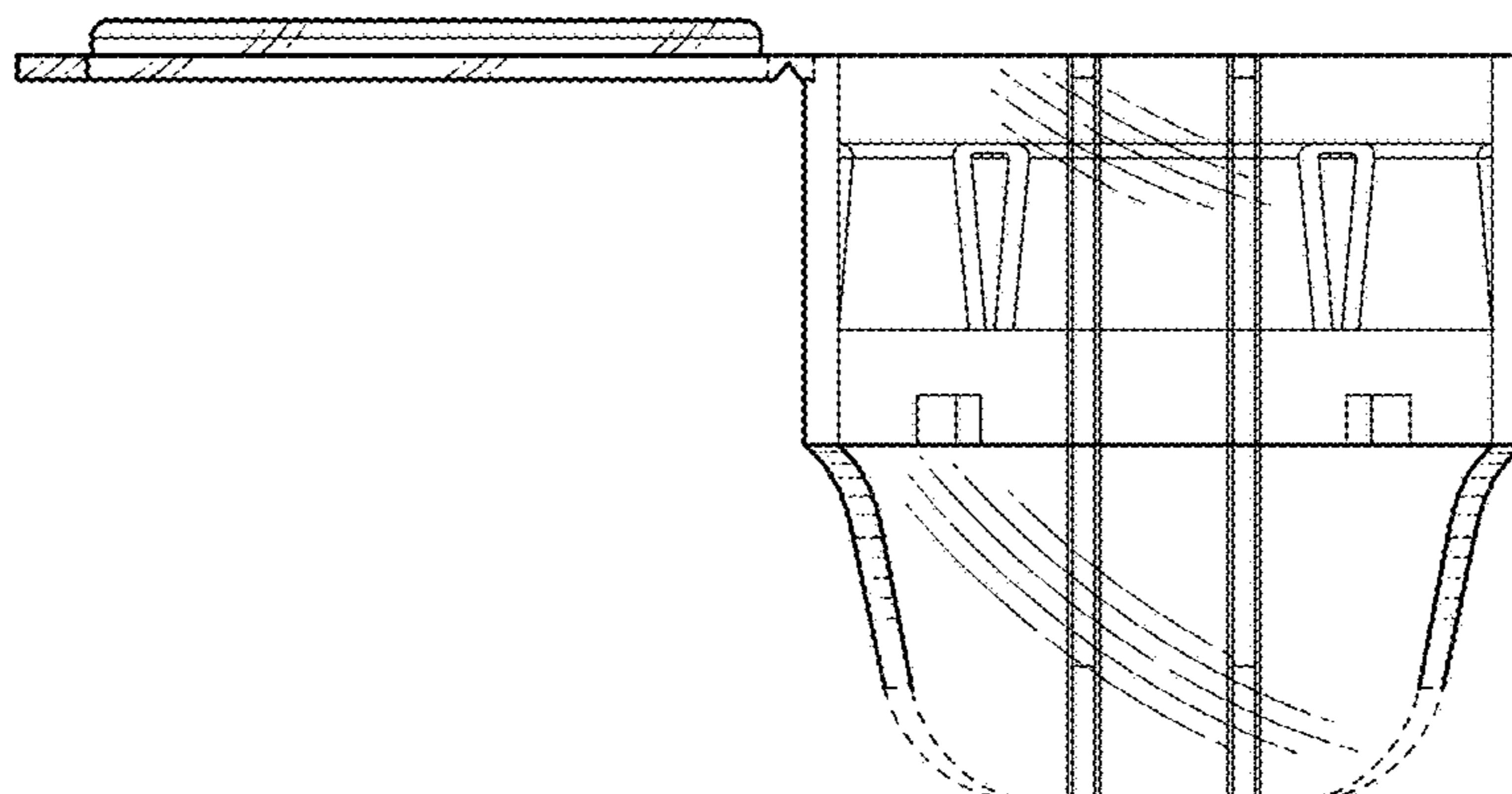


FIG. 20

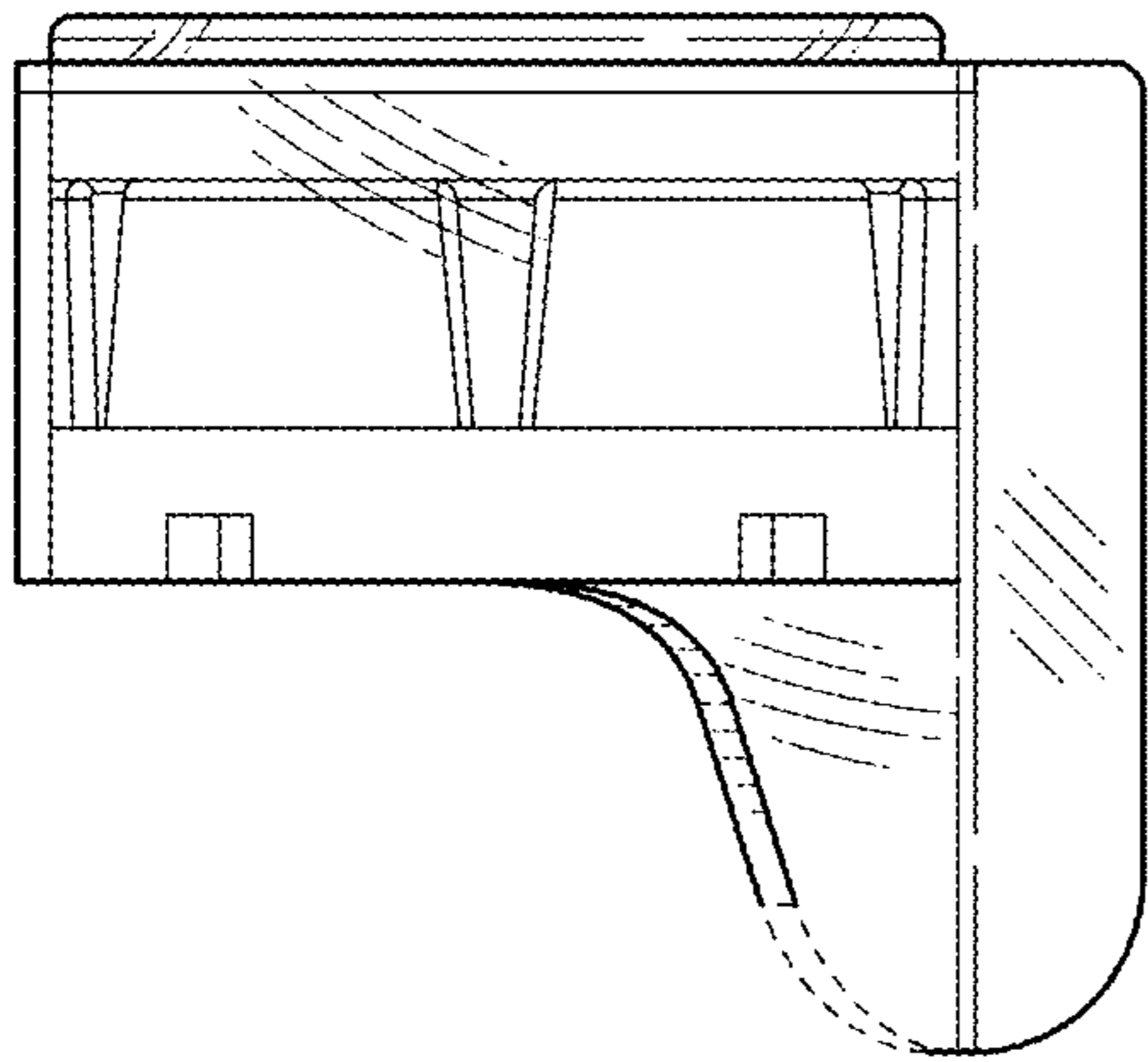


FIG. 21

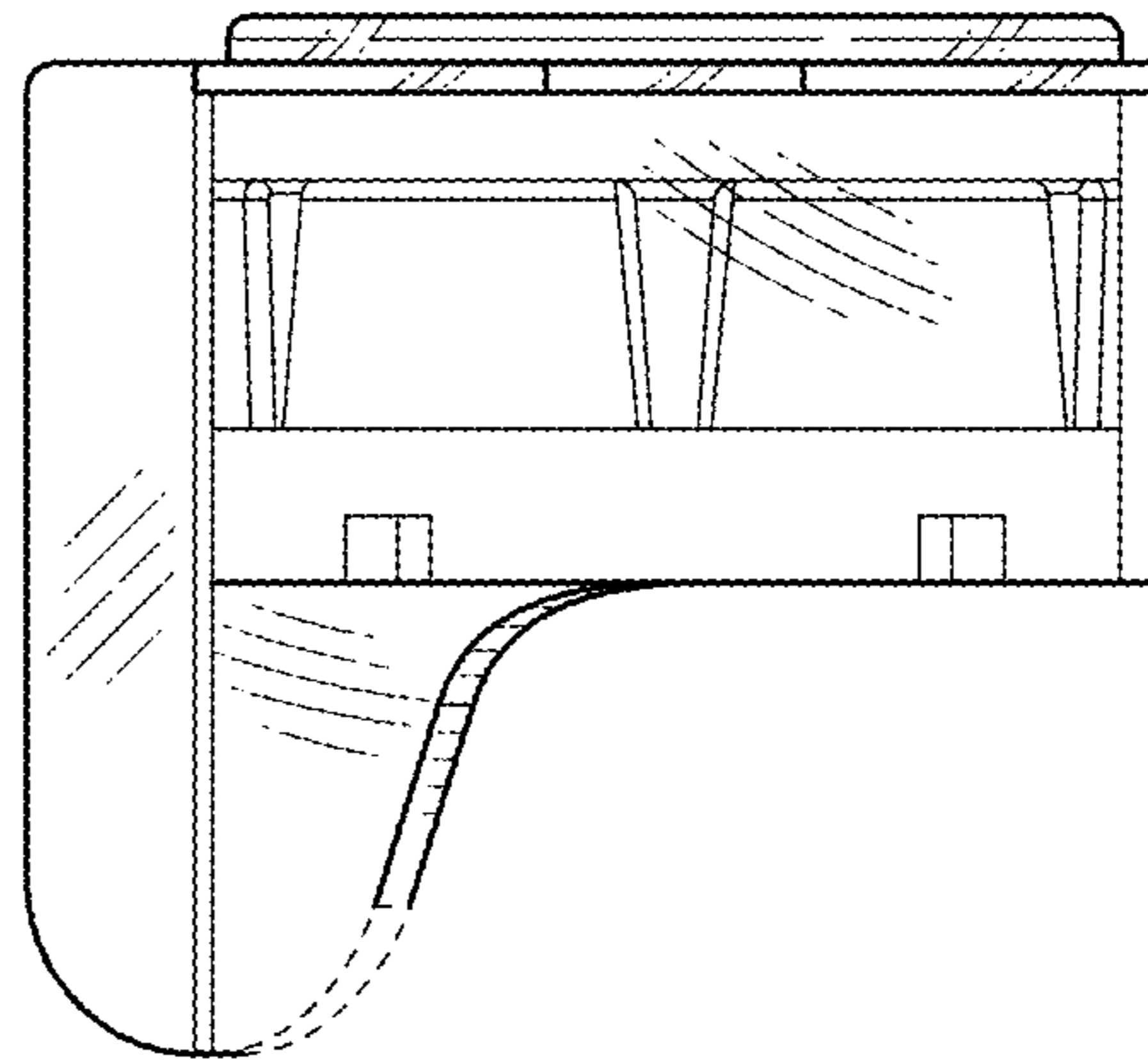


FIG. 22

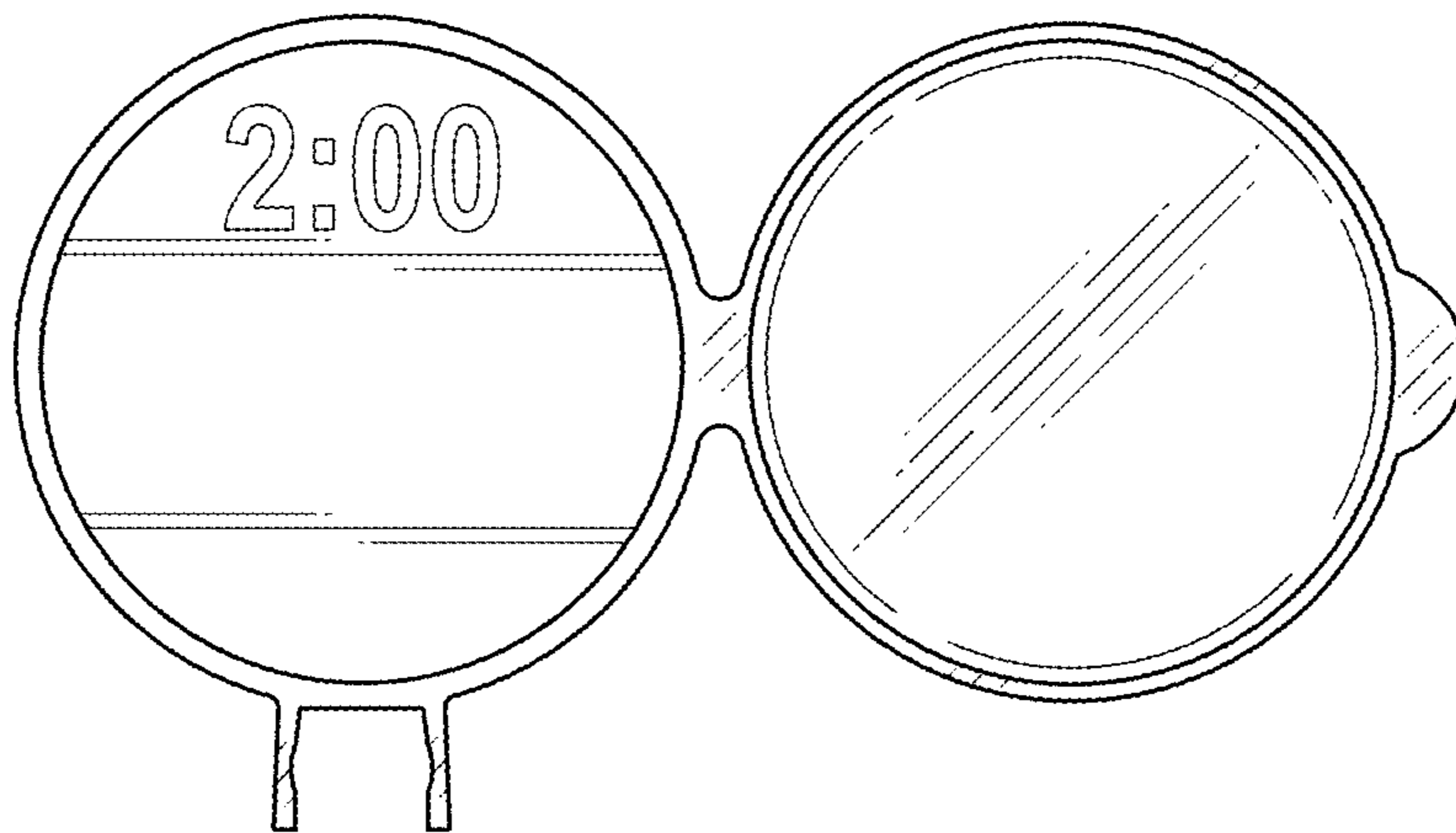


FIG. 23

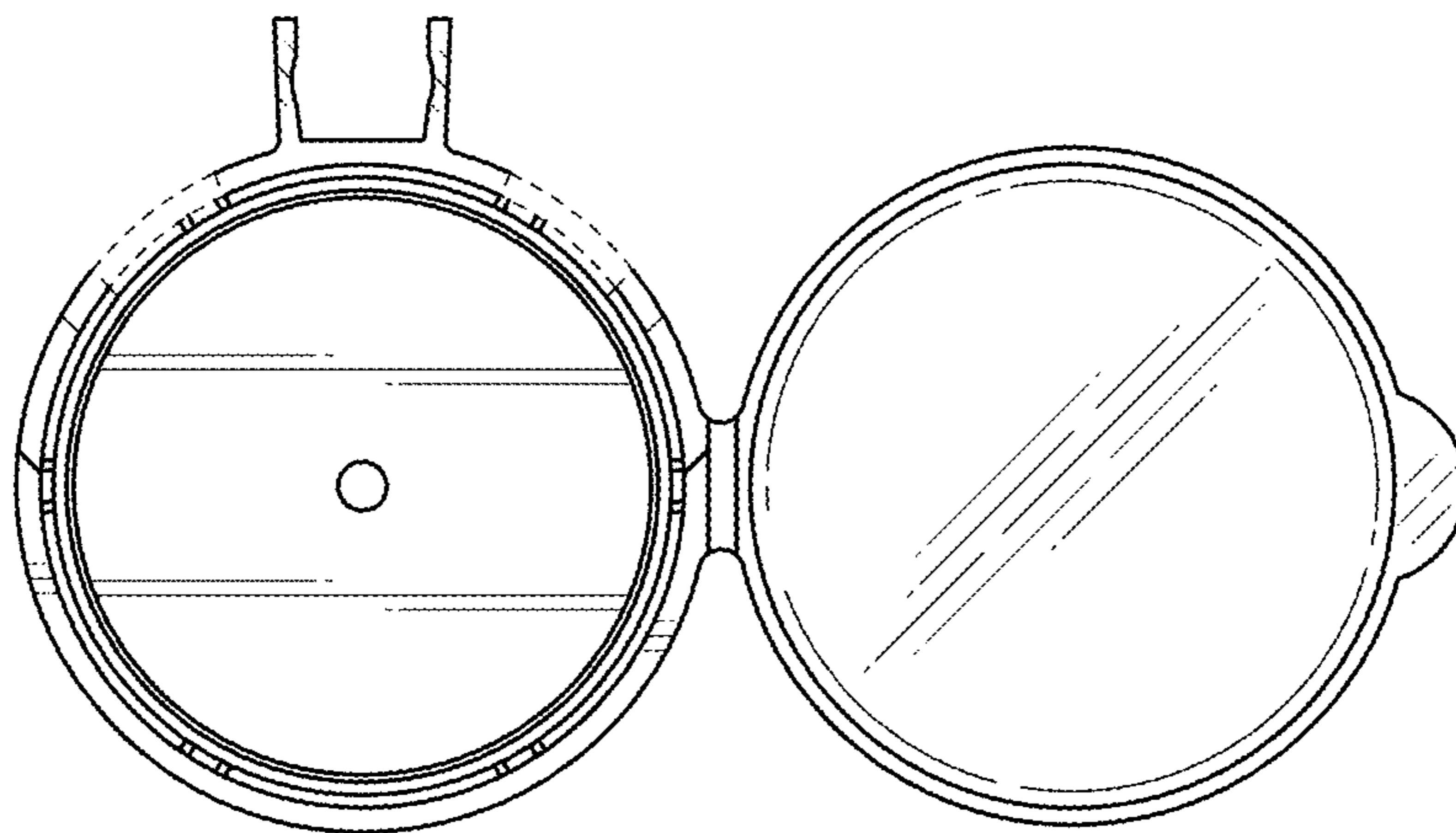


FIG. 24

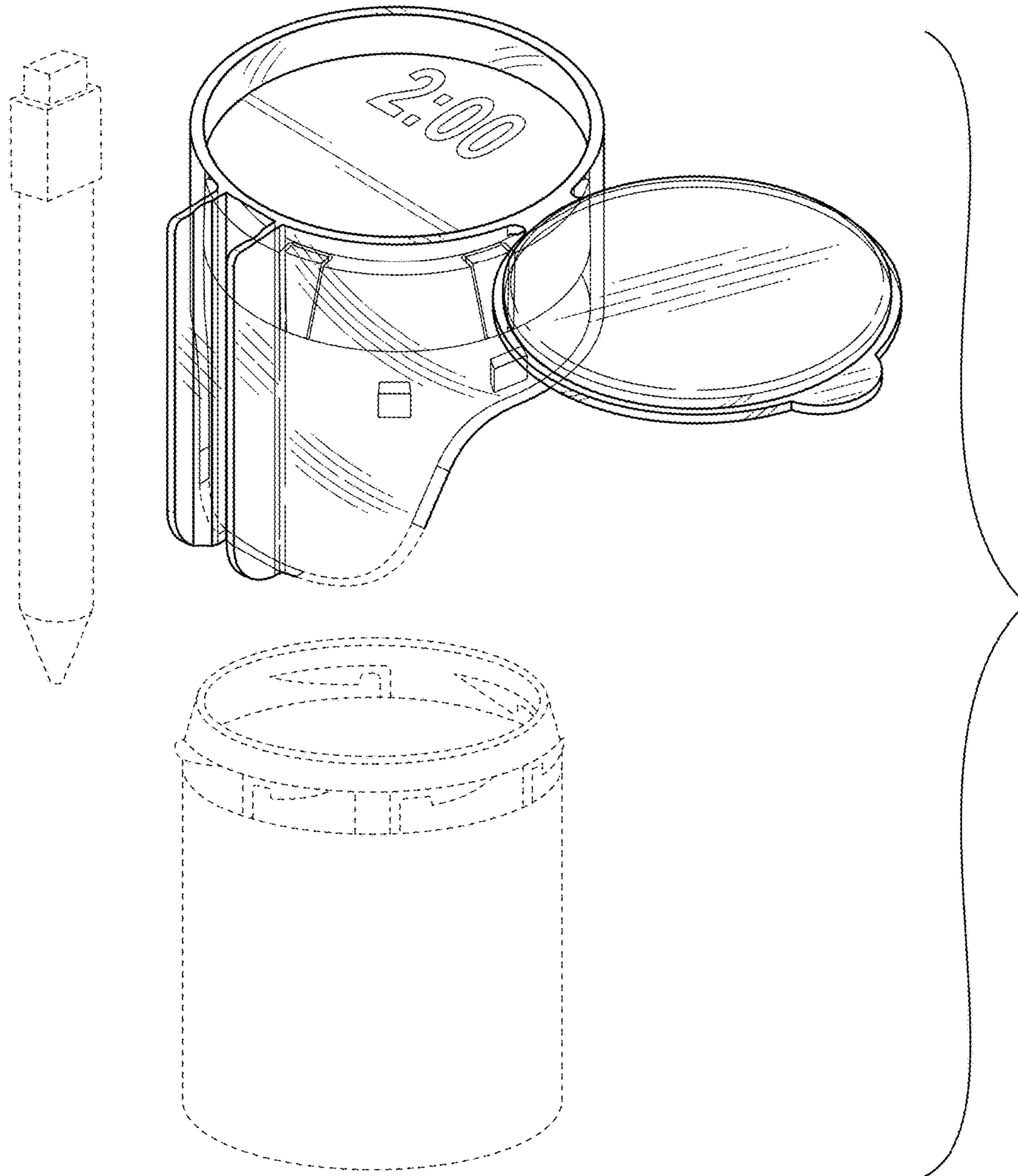


FIG. 25

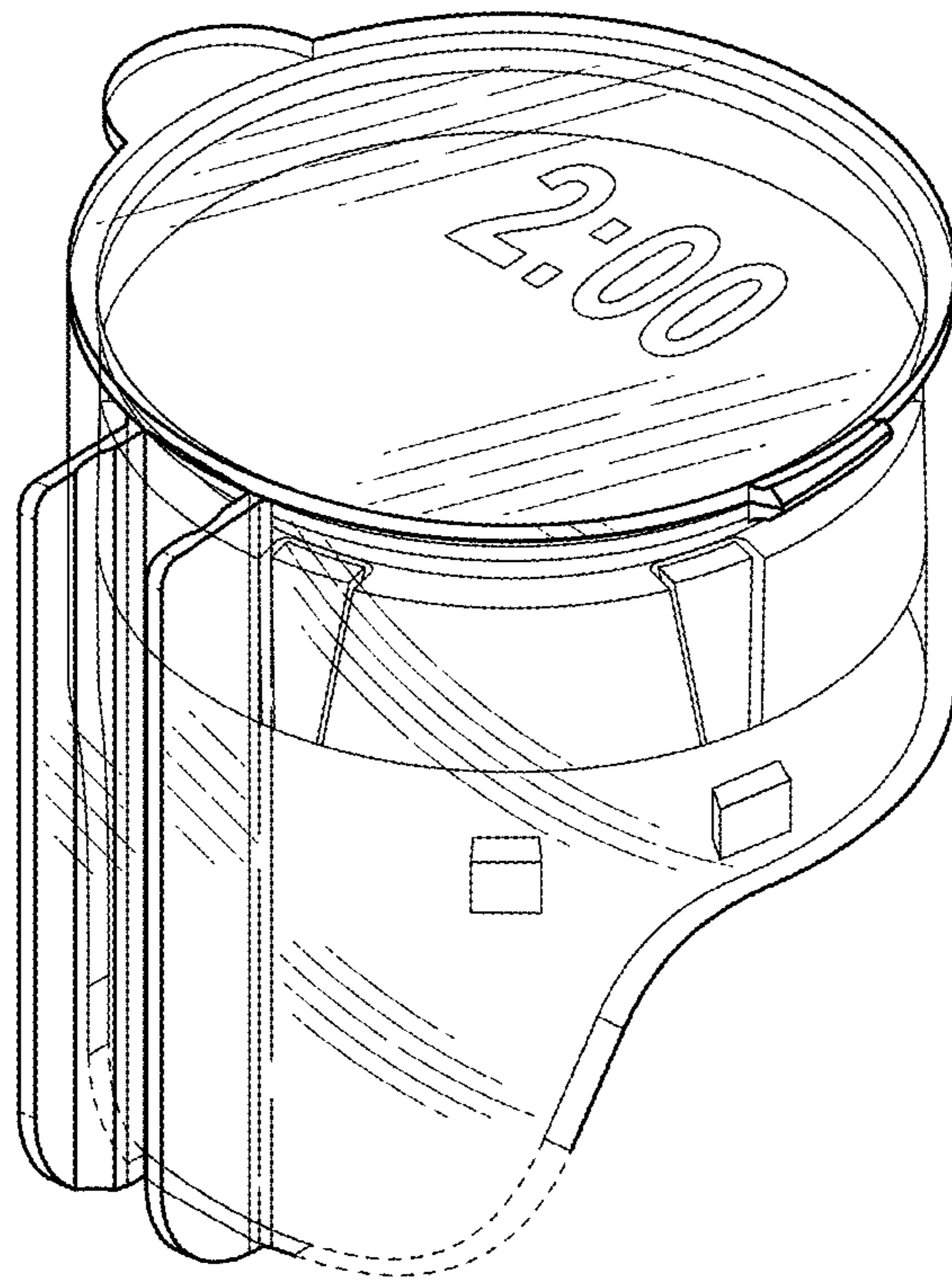


FIG. 26