



US00D813032S

(12) **United States Design Patent**
Daley et al.

(10) **Patent No.:** **US D813,032 S**
(45) **Date of Patent:** **** Mar. 20, 2018**

(54) **BOTTLE CAP**

(71) Applicant: **CVS Pharmacy, Inc.**, Woonsocket, RI (US)

(72) Inventors: **Bennett P. Daley**, Waltham, MA (US); **Ryan Neil Peter Hall**, Clinton, MA (US); **Michael David Miller**, Tewksbury, MA (US); **Daniel Nelsen**, Central Falls, RI (US); **Peter Rezac**, Sterling, MA (US); **Timothy Andrew Vanderpoel**, Hudson, MA (US)

(73) Assignee: **CVS Pharmacy, Inc.**, Woonsocket, RI (US)

(**) Term: **15 Years**

(21) Appl. No.: **29/583,553**

(22) Filed: **Nov. 7, 2016**

(51) **LOC (11) Cl.** **09-07**

(52) **U.S. Cl.**
USPC **D9/435**

(58) **Field of Classification Search**
USPC D7/300, 396.2, 511, 629; D9/434, 435, D9/439, 440, 443, 445, 499, 504, 744, D9/745, 751
CPC ... B65D 2251/07; B65D 50/045; B65D 83/04
See application file for complete search history.

(56) **References Cited**

U.S. PATENT DOCUMENTS

3,252,492 A *	5/1966	Marchant	B65D 47/0885	215/10
3,405,831 A	10/1968	Hudson			
3,794,200 A	2/1974	Marks			
3,993,209 A	11/1976	Julian			
4,098,419 A	7/1978	Virog, Jr. et al.			
D360,134 S	7/1995	Snyder			

5,662,233 A 9/1997 Reid
5,803,287 A 9/1998 Kusz
6,123,212 A 9/2000 Russell et al.
(Continued)

OTHER PUBLICATIONS

Grumpy Foot. Square Bottle by Ex-Apple Engineers. 2017 [earliest online date], [site visited Sep. 7, 2017]. Available from Internet, <URL:https://www.grumpyfoot.com/square-bottle-by-former-apple-engineers/>.*

(Continued)

Primary Examiner — Robert M. Spear

Assistant Examiner — Darcey E Heflin

(74) *Attorney, Agent, or Firm* — Patent Law Works LLP

(57) **CLAIM**

The ornamental design for a bottle cap, as shown and described.

DESCRIPTION

FIG. 1 is a top, front, and right perspective view of a bottle cap showing the new design.

FIG. 2 is a bottom, rear, and right perspective view of the bottle cap showing the new design.

FIG. 3 is a top, rear, and left perspective view of the bottle cap showing the new design.

FIG. 4 is a top view of the bottle cap showing the new design.

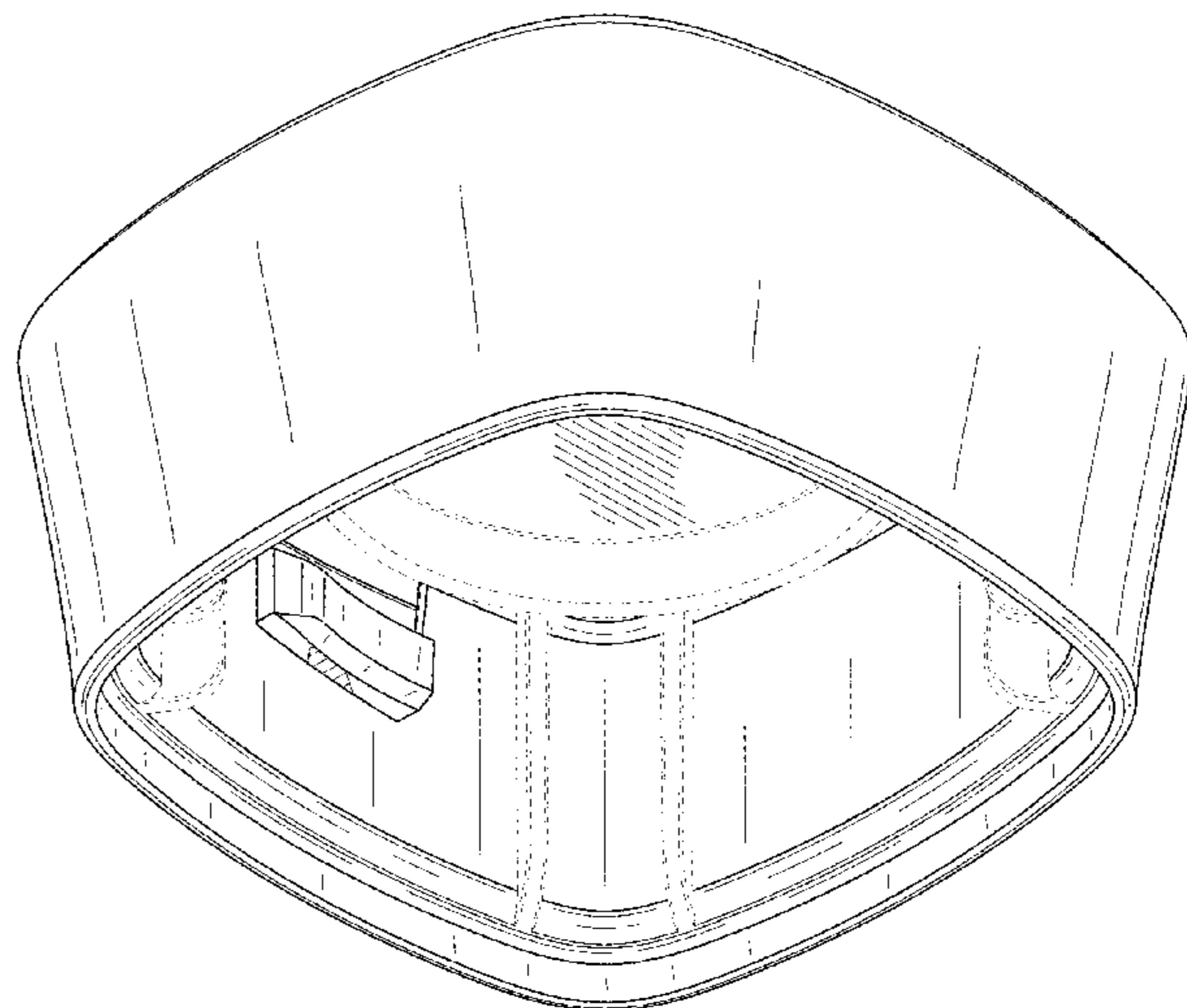
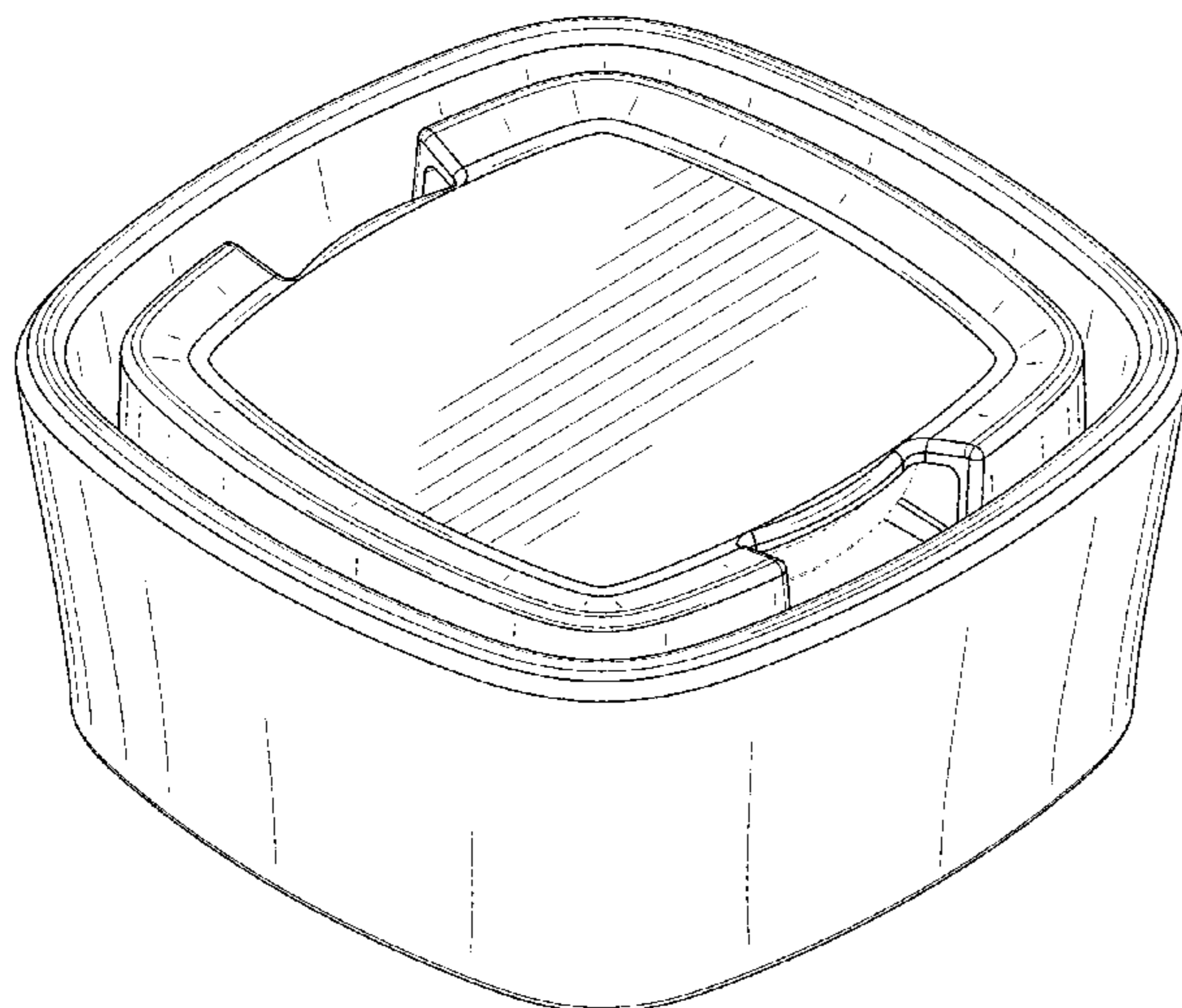
FIG. 5 is a bottom view of the bottle cap showing the new design.

FIG. 6 is a left side view of the bottle cap showing the new design (the right side view being a mirror image thereof); and,

FIG. 7 is a front view of the bottle cap showing the new design (the rear view being a mirror image thereof).

Within the drawings, the even spaced dash-dash lines, and the areas within the dash-dash lines, show unclaimed portions of the bottle cap and form no part of the claimed design.

1 Claim, 6 Drawing Sheets



(56)

References Cited

U.S. PATENT DOCUMENTS

D442,868 S 5/2001 Gavin
 D456,272 S 4/2002 Sadeghi et al.
 D481,640 S 11/2003 Biesecker
 6,802,418 B2 10/2004 Atkinson et al.
 D498,143 S 11/2004 Rashid
 D531,913 S 11/2006 Heisner et al.
 D539,651 S 4/2007 Snyder
 D540,669 S * 4/2007 George D7/392.1
 D576,876 S * 9/2008 Mount D9/449
 D587,586 S 3/2009 Patzak
 D619,473 S 7/2010 Biesecker et al.
 D620,369 S 7/2010 Servaire et al.
 D622,591 S * 8/2010 Biesecker D9/435
 D630,518 S 1/2011 Biesecker et al.
 D639,669 S * 6/2011 Adler D9/435
 D654,799 S 2/2012 Liu
 D678,074 S 3/2013 De France
 D691,054 S * 10/2013 Olsson D9/435
 8,616,407 B2 * 12/2013 Sawicki B65D 43/169
 215/237
 D698,250 S * 1/2014 Wade D9/435
 D698,251 S * 1/2014 Wade D9/435
 D733,787 S 7/2015 Baker et al.
 D733,788 S 7/2015 Baker et al.
 D736,635 S 8/2015 Sadler et al.

D739,759 S 9/2015 Warner et al.
 D742,242 S 11/2015 McDaniel et al.
 D754,240 S * 4/2016 Samuels D16/219
 D756,234 S 5/2016 Orset
 D765,508 S * 9/2016 Wu D9/439
 D772,659 S * 11/2016 Middleton D7/629
 D776,544 S 1/2017 Staab
 D786,086 S * 5/2017 Miller D9/560
 D786,674 S * 5/2017 Miller D9/446
 D786,683 S * 5/2017 Miller D9/529
 D792,233 S * 7/2017 Miller D9/560
 2006/0255041 A1 * 11/2006 Parks B65D 21/0219
 220/301
 2009/0152229 A1 6/2009 Falzoni
 2009/0223985 A1 9/2009 Carmody et al.
 2009/0266736 A1 10/2009 Sprishen et al.
 2011/0049085 A1 3/2011 Lembke
 2011/0094990 A1 4/2011 Sprishen et al.
 2017/0057711 A1 * 3/2017 Miller B65D 50/045

OTHER PUBLICATIONS

Lulusoso. Perfume Bottle Cap. May 29, 2012 [earliest online date],
 [site visited Sep. 7, 2017]. Available from Internet, <URL:<http://sell.lulusoso.com/selling-leads/1961487/Perfume-Bottle-Cap-Square-shape-Plastic-material.html>>.*

* cited by examiner

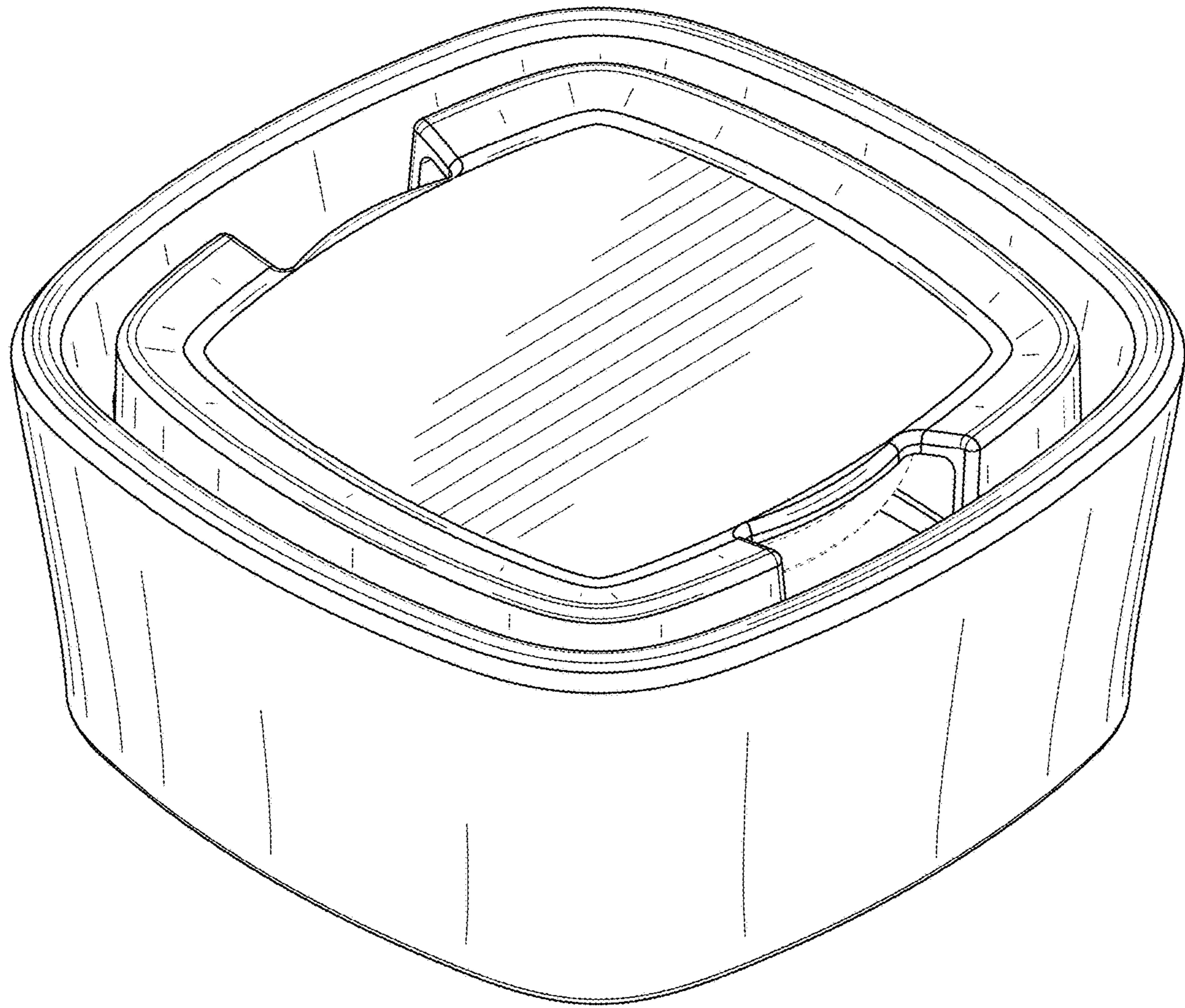


FIG. 1

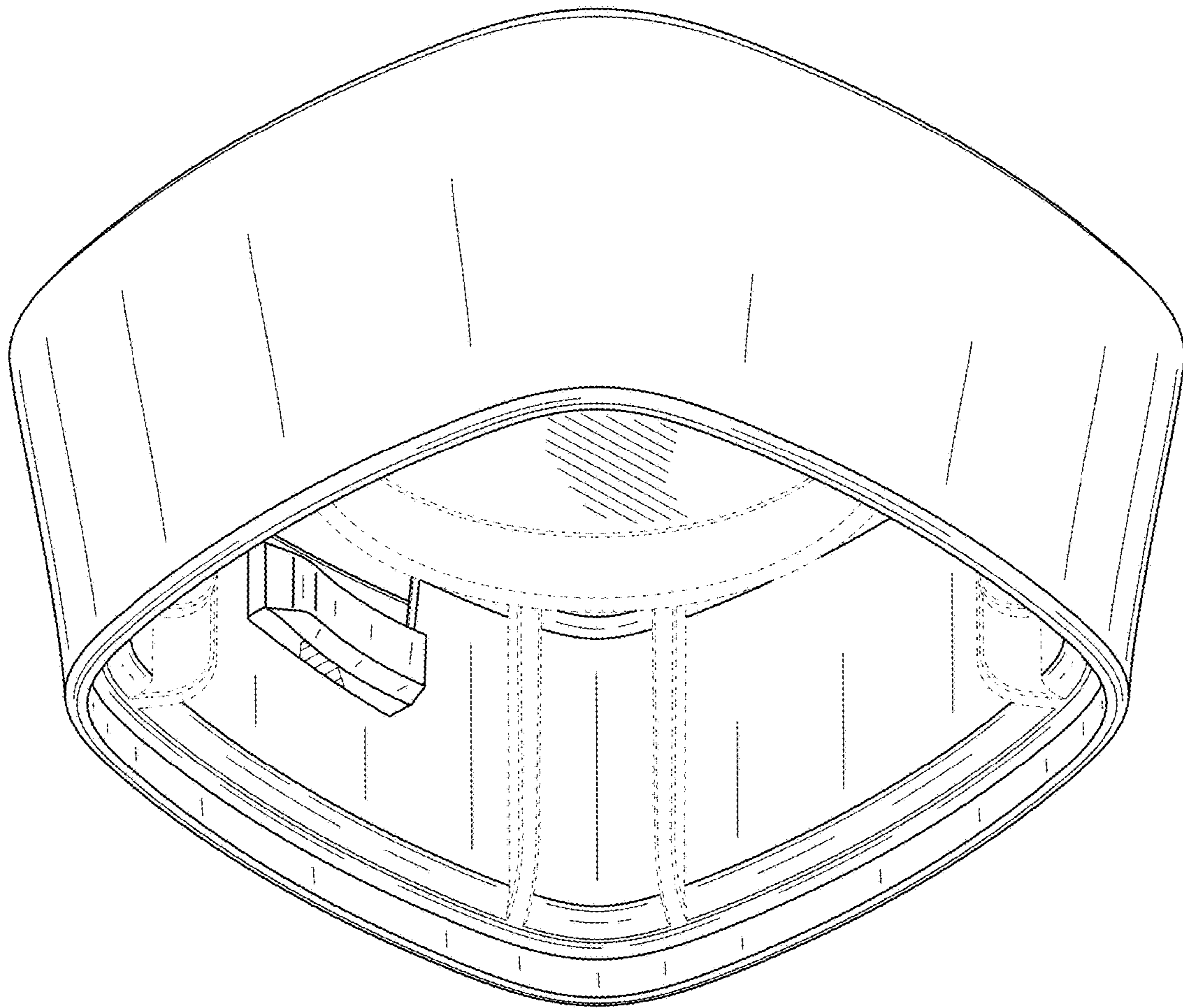


FIG. 2

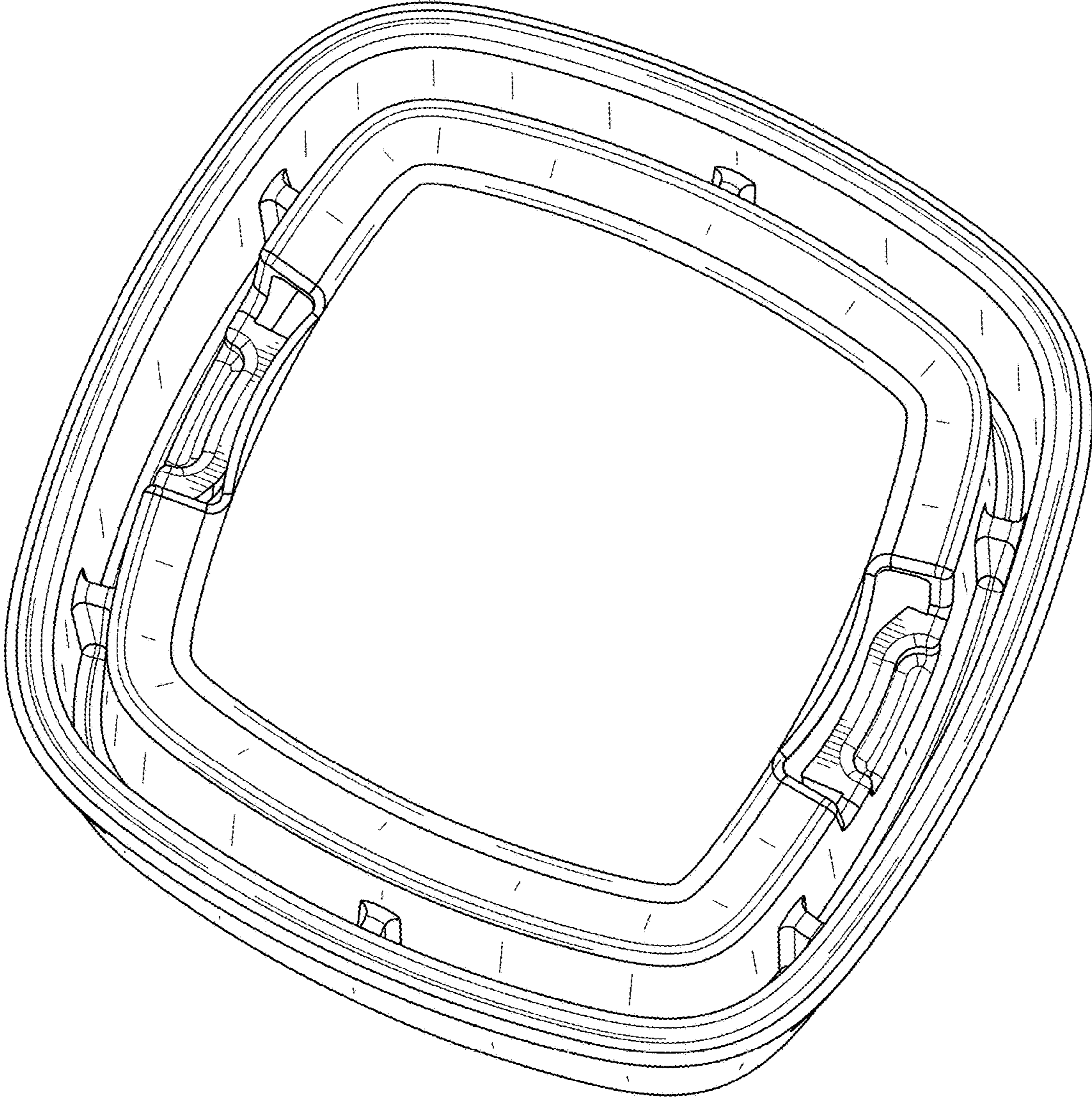


FIG. 3

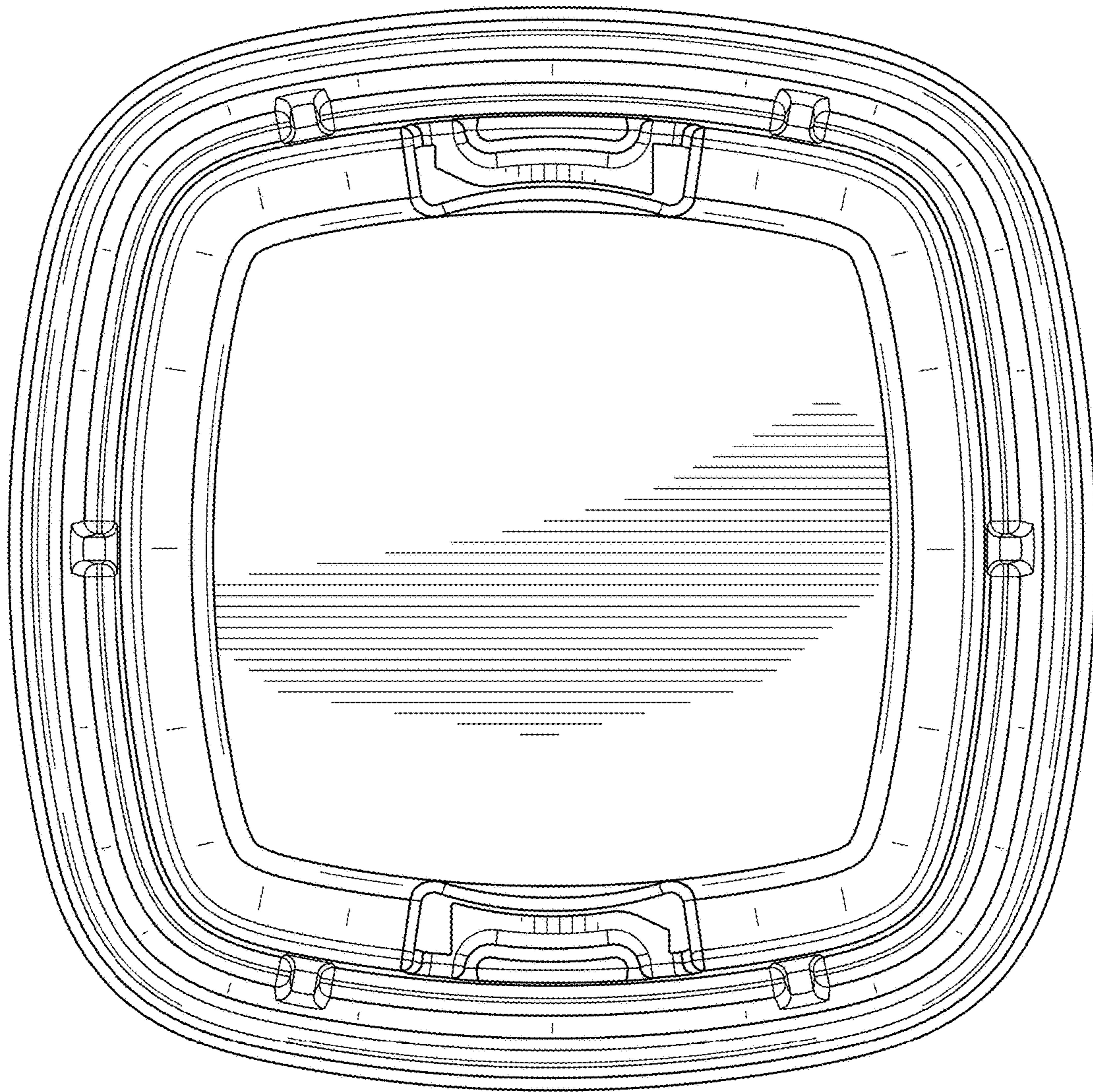


FIG. 4

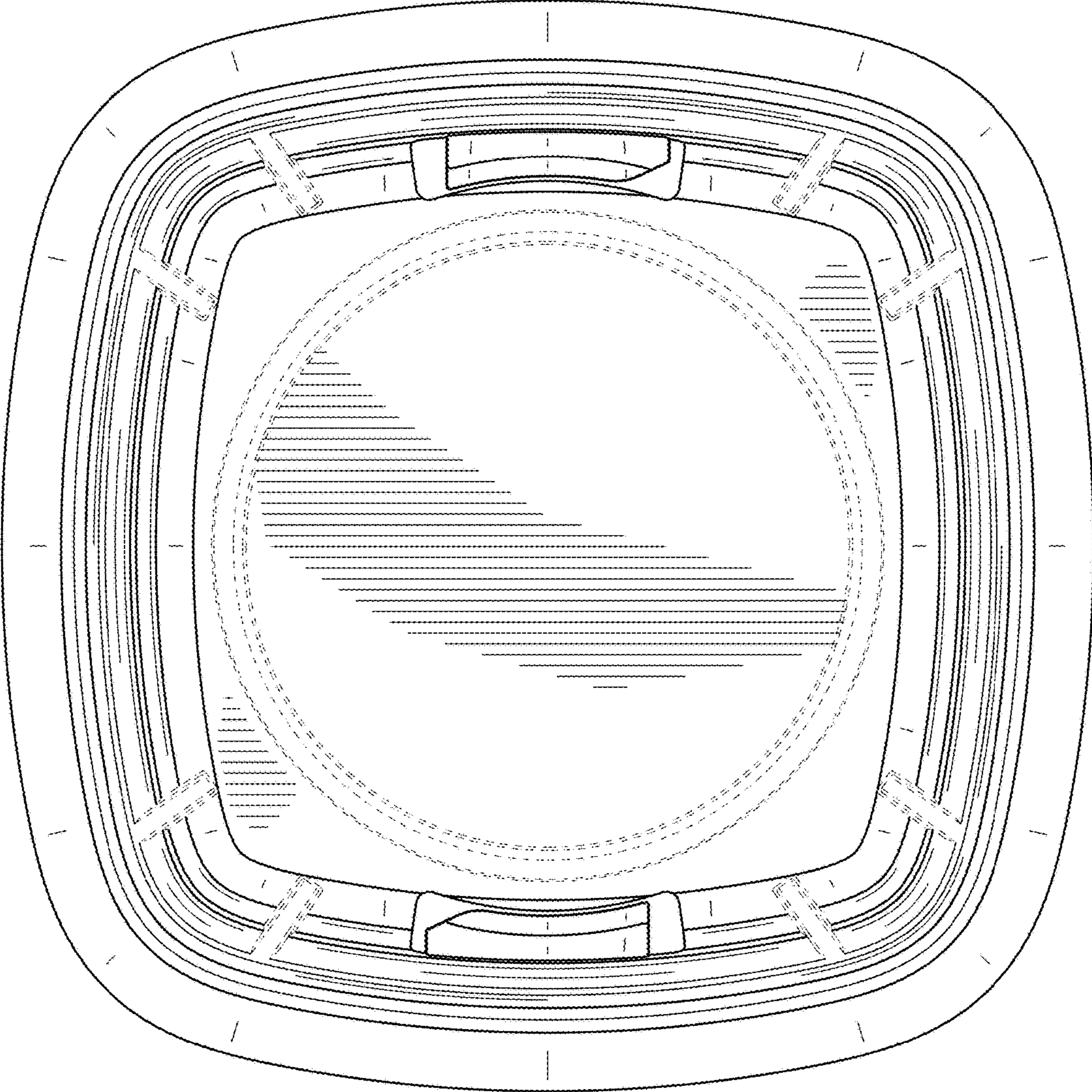


FIG. 5

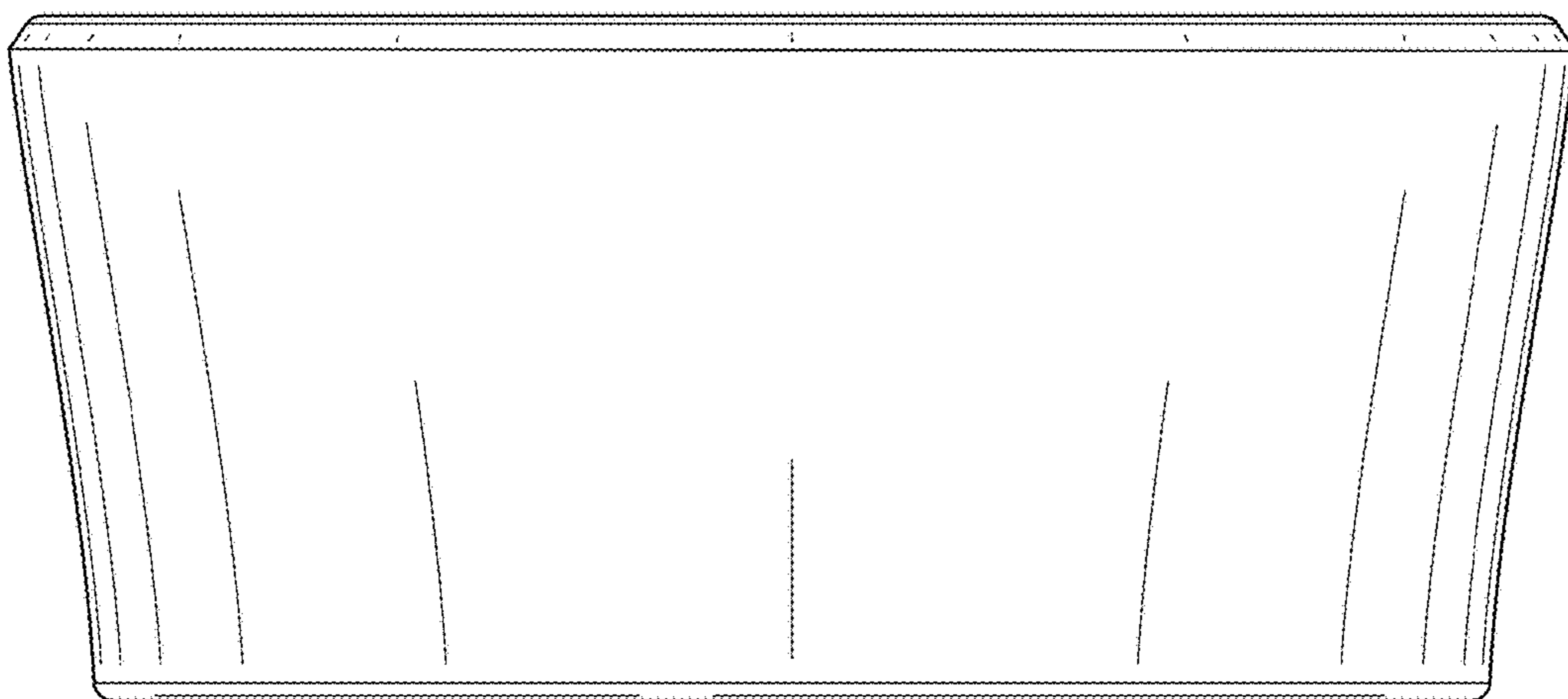


FIG. 6

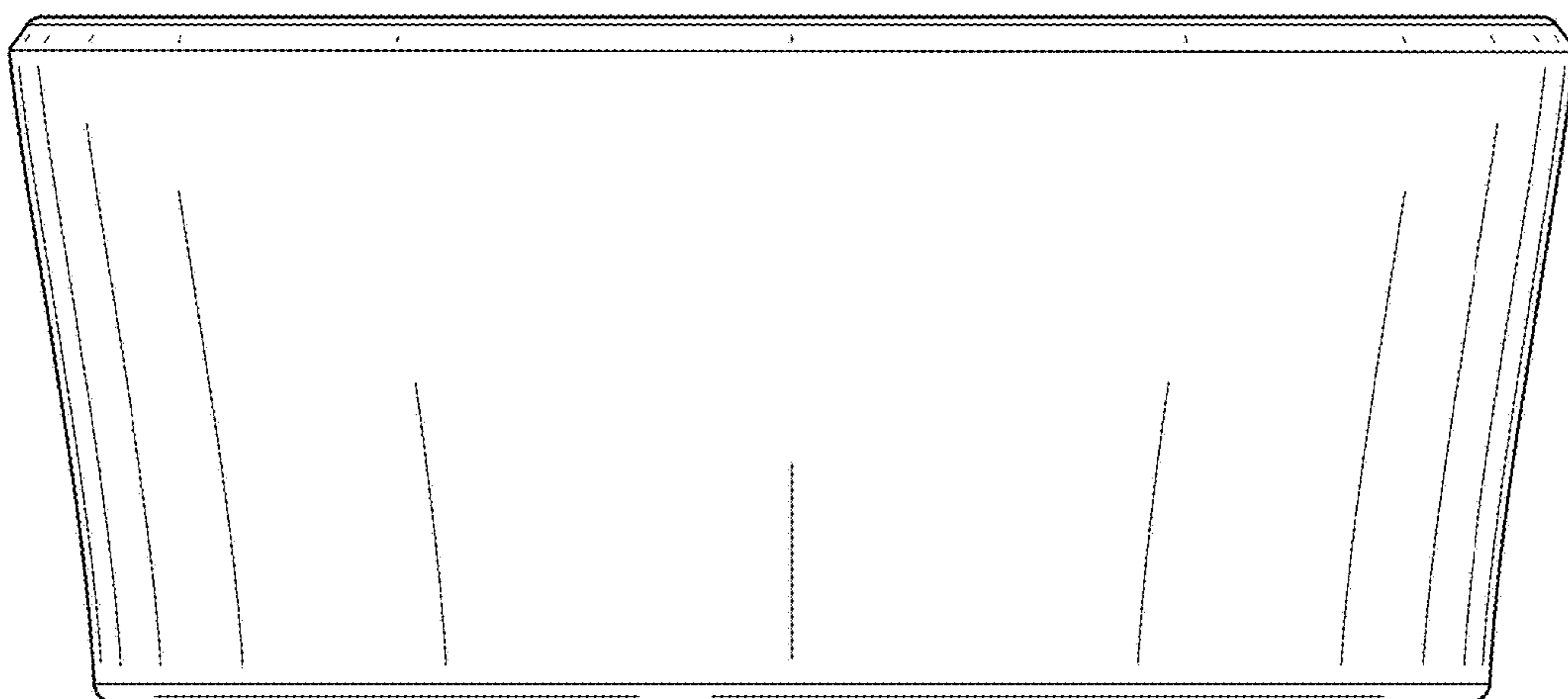


FIG. 7