



US00D813030S

(12) **United States Design Patent** (10) **Patent No.:** **US D813,030 S**
Powers et al. (45) **Date of Patent:** **** Mar. 20, 2018**

(54) **OVER THE COUNTER MEDICINAL CONTAINER WITH SURFACE ORNAMENTATION**

(71) Applicant: **The Procter & Gamble Company**, Cincinnati, OH (US)

(72) Inventors: **Diane Danheiser Powers**, Mason, OH (US); **Andrea Marie Subler**, West Chester, OH (US)

(73) Assignee: **The Procter & Gamble Company**, Cincinnati, OH (US)

(**) Term: **15 Years**

(21) Appl. No.: **29/550,497**

(22) Filed: **Jan. 5, 2016**

Related U.S. Application Data

(60) Division of application No. 29/526,166, filed on May 7, 2015, now Pat. No. Des. 749,947, which is a continuation of application No. 29/443,217, filed on Jan. 15, 2013, now abandoned, which is a continuation of application No. 29/401,368, filed on Sep. 12, 2011, now Pat. No. Des. 677,580, which is a continuation-in-part of application No. 29/387,106, filed on Mar. 9, 2011, now Pat. No. Des. 669,790.

(51) **LOC (11) Cl.** **09-03**

(52) **U.S. Cl.**
USPC **D9/434**

(58) **Field of Classification Search**
USPC D9/434, 432, 435, 414, 433, 655, 499, D9/711, 645; D5/7; 340/693.12

CPC G07F 17/246
See application file for complete search history.

(56) **References Cited**

U.S. PATENT DOCUMENTS

| | | | | |
|----------------|---------|---------|-------|---------------------------|
| 6,195,015 B1 * | 2/2001 | Jacobs | | G07F 17/246 340/693.12 |
| D608,636 S * | 1/2010 | Seol | | D9/432 |
| D615,418 S * | 5/2010 | Criss | | D9/711 |
| D625,196 S * | 10/2010 | Partin | | D9/645 |
| D626,010 S * | 10/2010 | Criss | | D9/711 |
| D632,973 S * | 2/2011 | Criss | | D9/711 |
| D637,486 S * | 5/2011 | Andrew | | D5/7 |
| D639,179 S * | 6/2011 | Powers | | D9/434 |
| D650,273 S * | 12/2011 | Tekulve | | D9/432 |
| D669,790 S * | 10/2012 | Powers | | D9/434 |

(Continued)

Primary Examiner — Rhea Shields

(74) *Attorney, Agent, or Firm* — Amanda Herman; Alexandra S. Anoff

(57) **CLAIM**

The ornamental design for an over the counter medicinal container with surface ornamentation, as shown and described.

DESCRIPTION

The present application file contains at least one drawing executed in color. Copies of this patent or patent application publication with color drawing(s) will be provided by the Office upon request and payment of the necessary fee.

FIG. 1 is a perspective view of an over the counter medicinal container with surface ornamentation embodying our new design;

FIG. 2 is a front view thereof;

FIG. 3 is a rear side view thereof;

FIG. 4 is a right side view thereof;

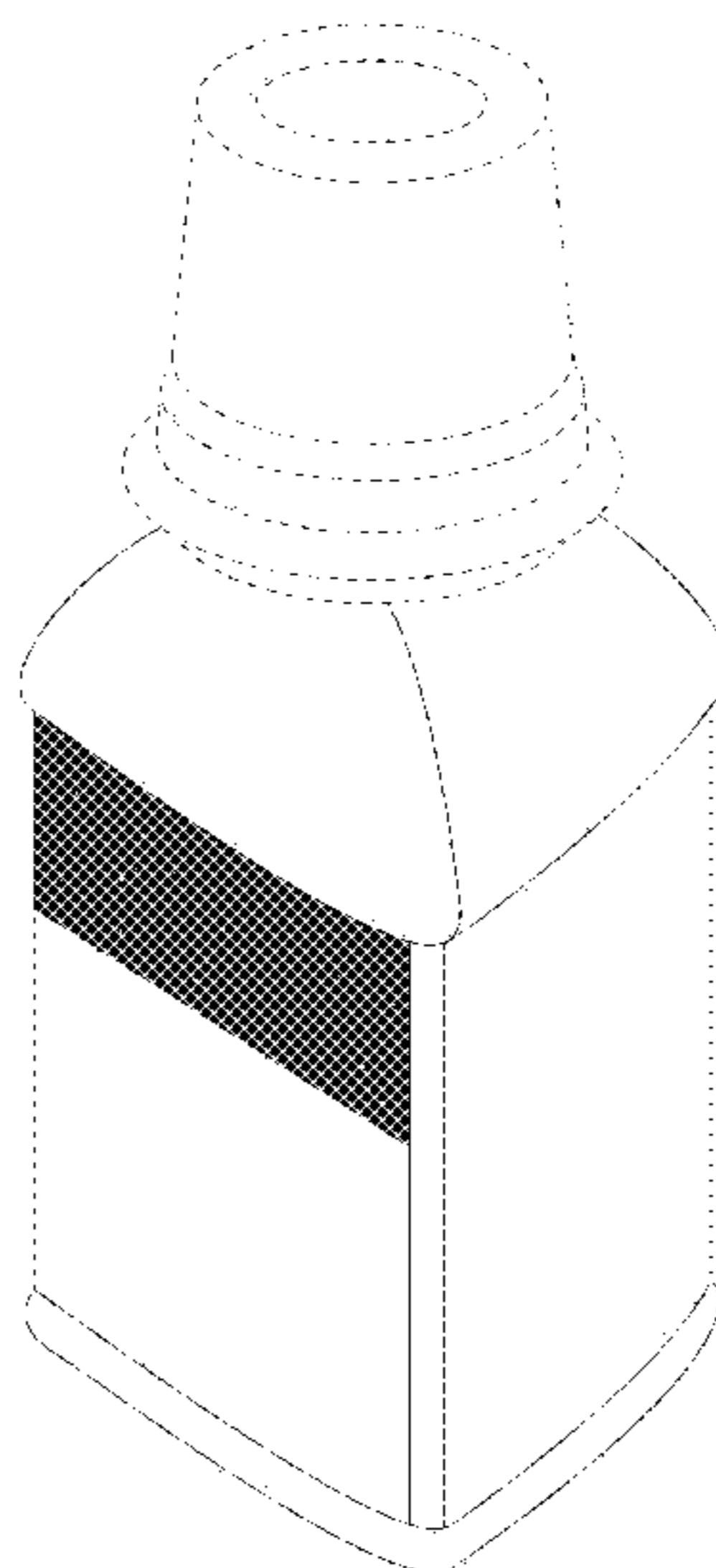
FIG. 5 is a left view thereof;

FIG. 6 is a top view thereof; and,

FIG. 7 is a bottom view thereof.

In the drawings, the broken lines are for the purpose of illustrating environment only and form no part of the claimed design.

1 Claim, 4 Drawing Sheets
(2 of 4 Drawing Sheet(s) Filed in Color)



(56)

References Cited

U.S. PATENT DOCUMENTS

| | | | | | | |
|----------|---|---|---------|-----------|-------|--------|
| D677,580 | S | * | 3/2013 | Powers | | D9/434 |
| D684,467 | S | * | 6/2013 | Macaulay | | D9/432 |
| D691,470 | S | * | 10/2013 | Macaulay | | D9/434 |
| D710,687 | S | * | 8/2014 | Katopo | | D9/432 |
| D718,620 | S | * | 12/2014 | Bischoff | | D9/435 |
| D740,651 | S | * | 10/2015 | Uribe | | D9/414 |
| D741,710 | S | * | 10/2015 | Katopo | | D9/433 |
| D749,945 | S | * | 2/2016 | Katopo | | D9/432 |
| D749,947 | S | * | 2/2016 | Powers | | D9/434 |
| D754,003 | S | * | 4/2016 | Pfeiffer | | D9/655 |
| D768,501 | S | * | 10/2016 | Spenceman | | D9/434 |
| D772,712 | S | * | 11/2016 | Uribe | | D9/499 |
| D777,035 | S | * | 1/2017 | Uribe | | D9/499 |

* cited by examiner

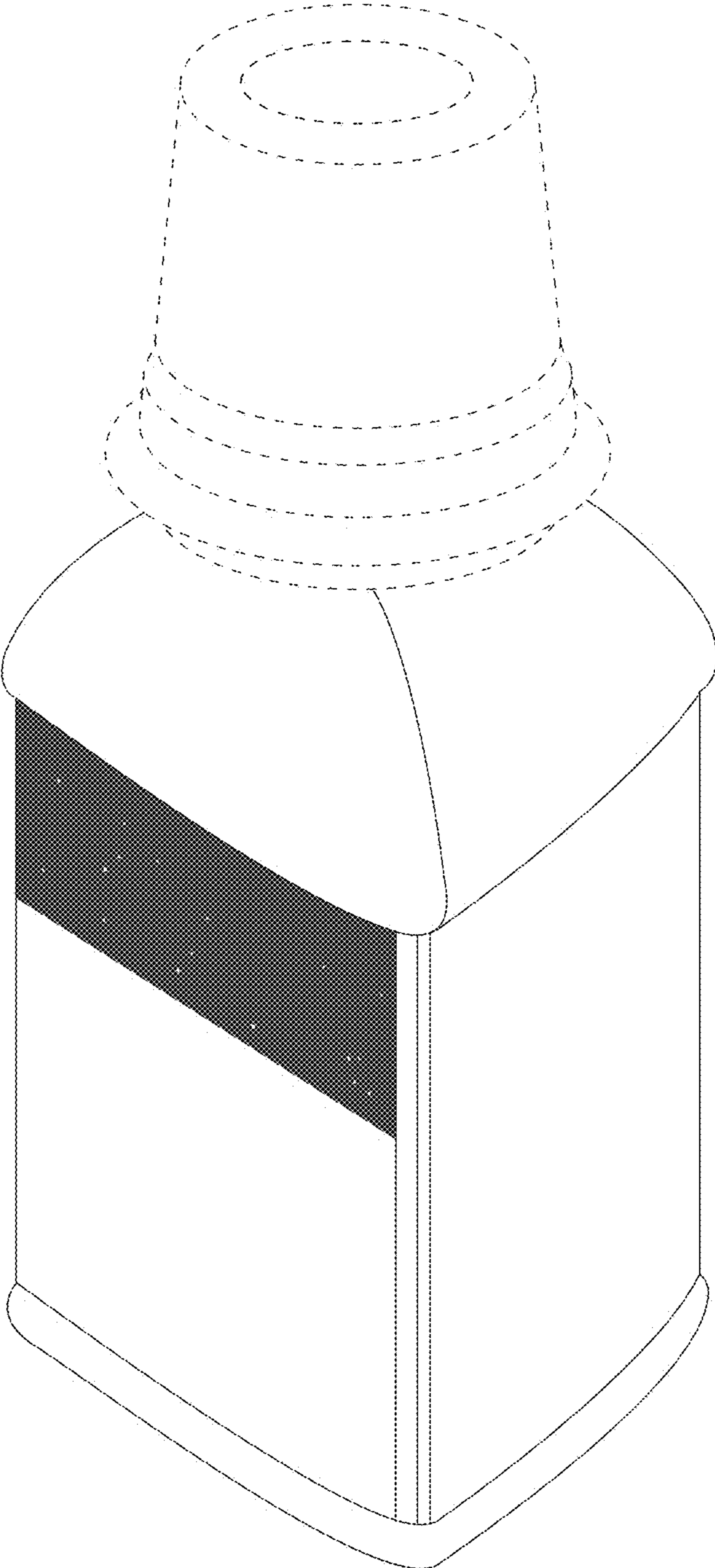


FIG. 1

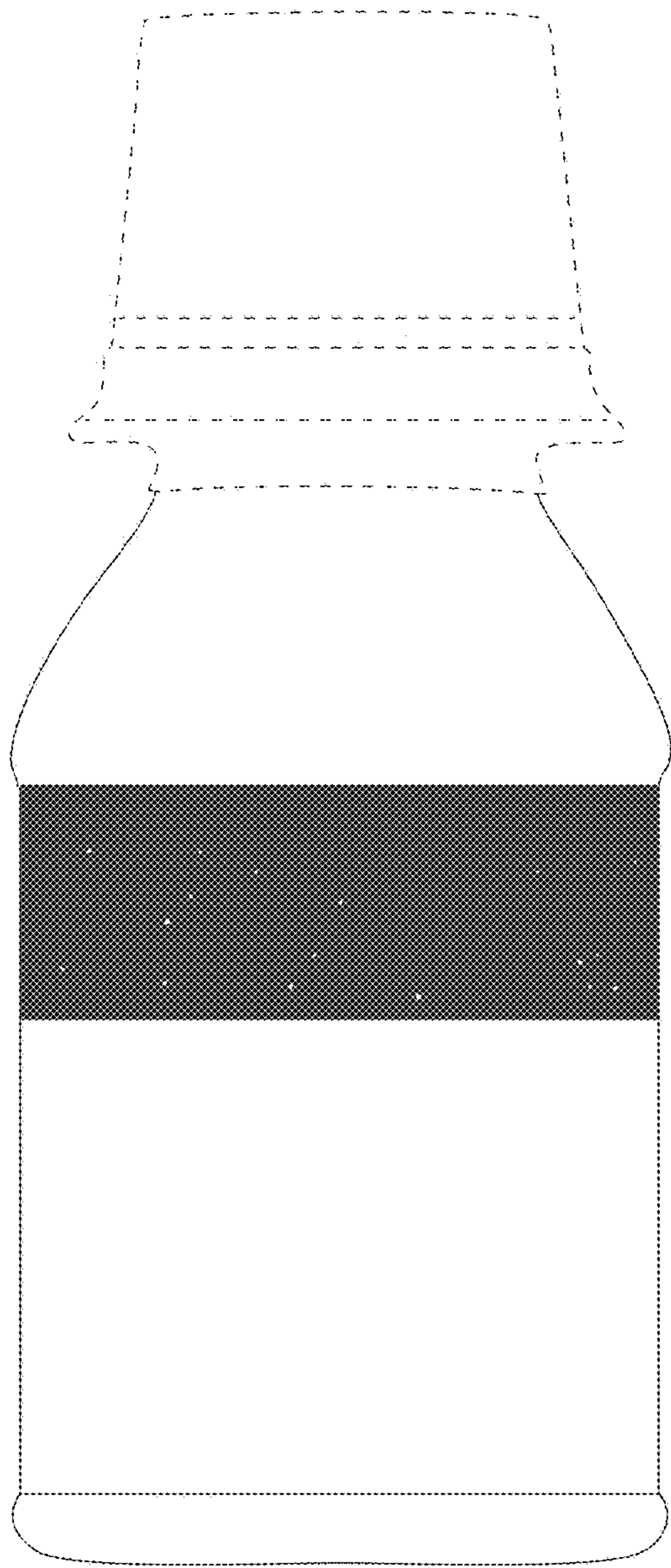


FIG. 2

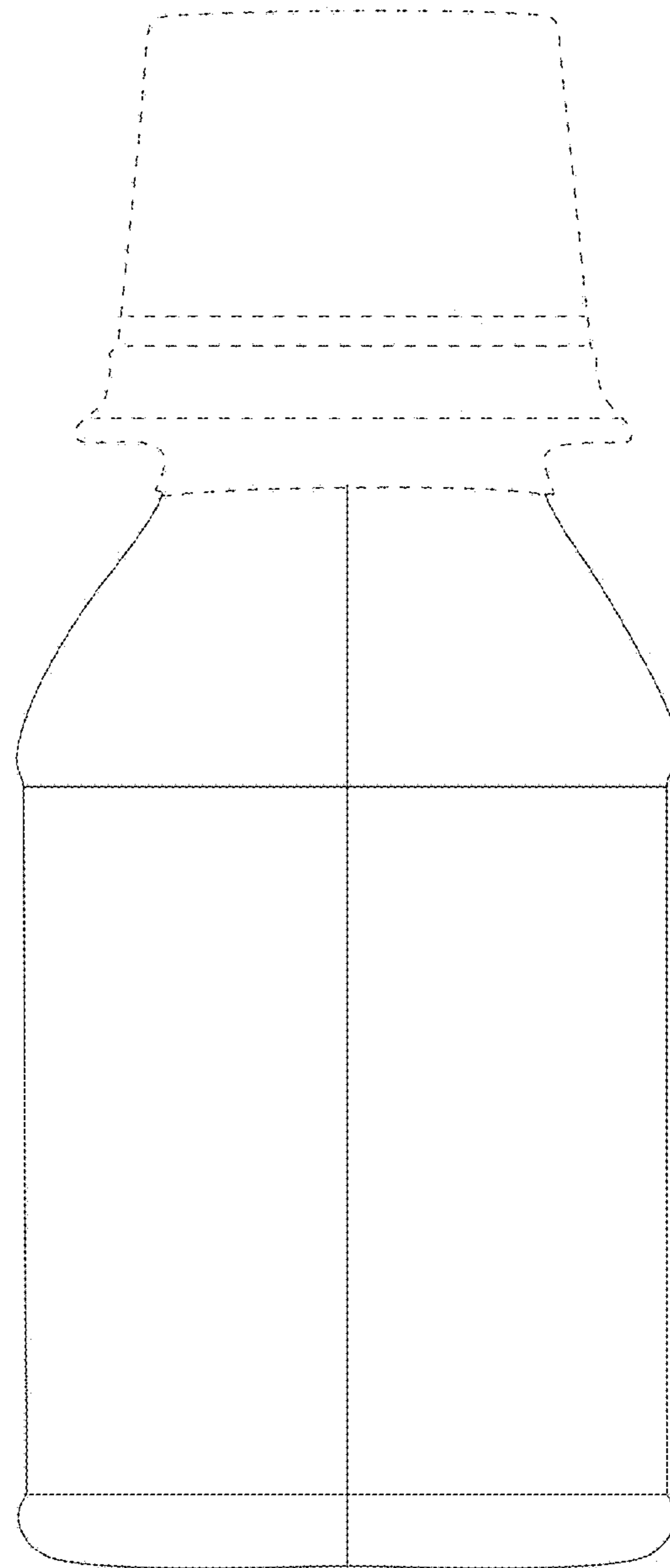


FIG. 3

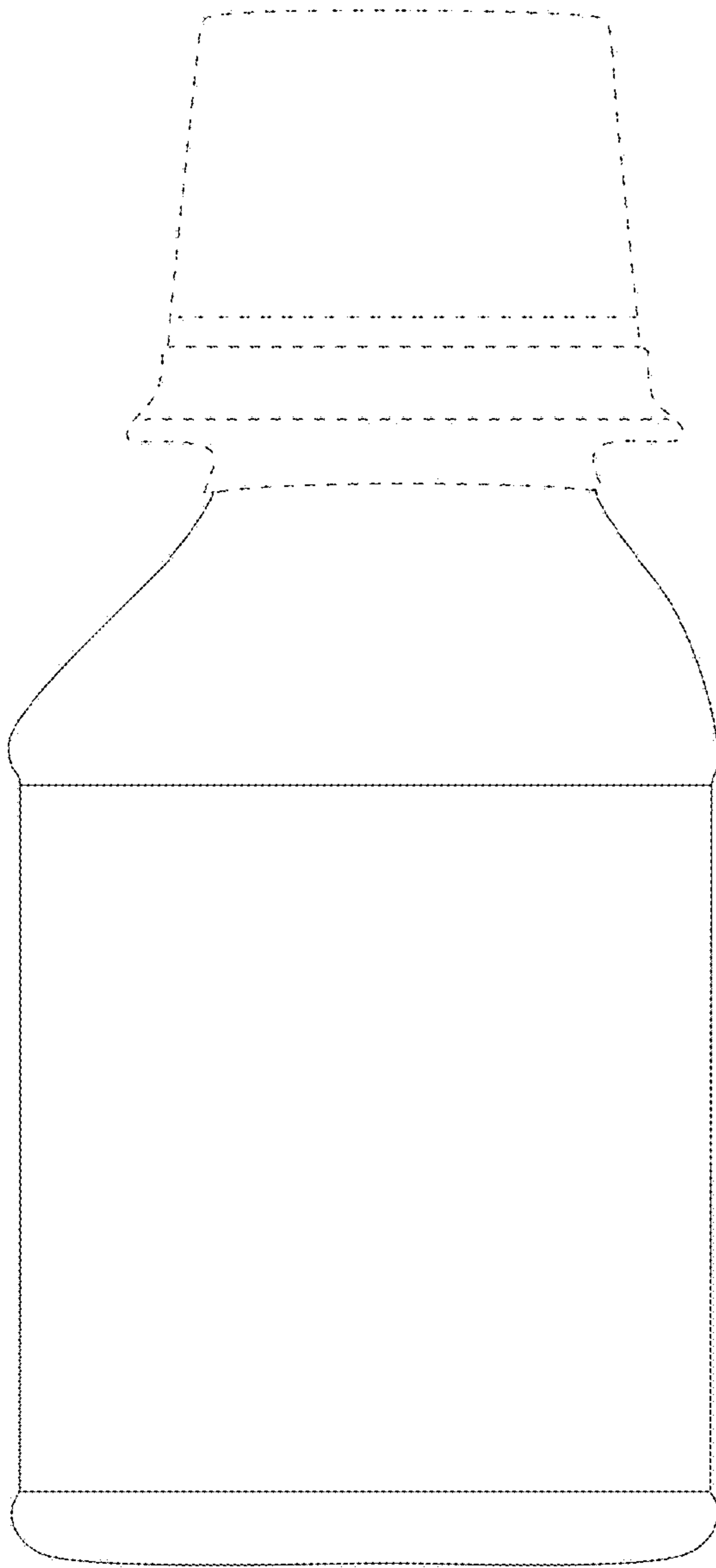


FIG. 4

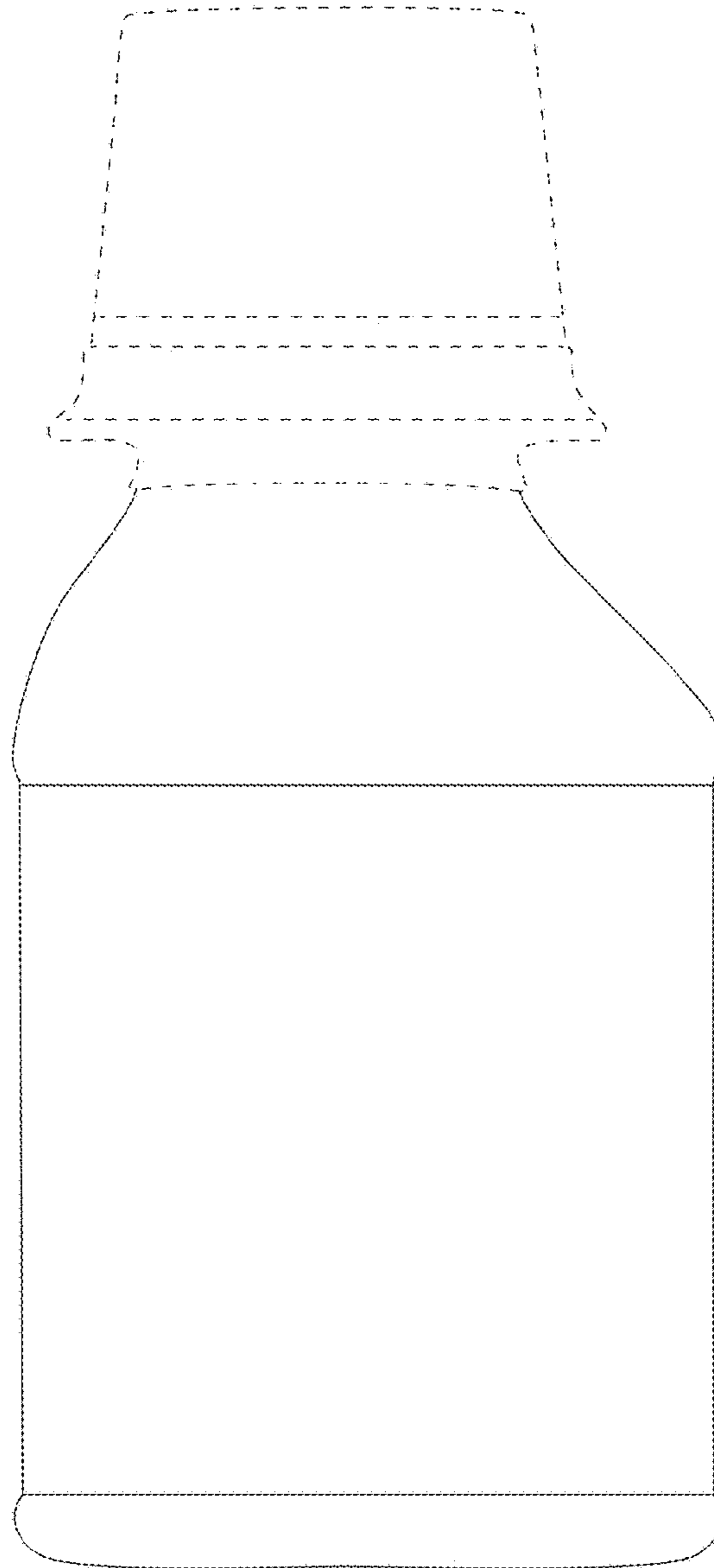


FIG. 5

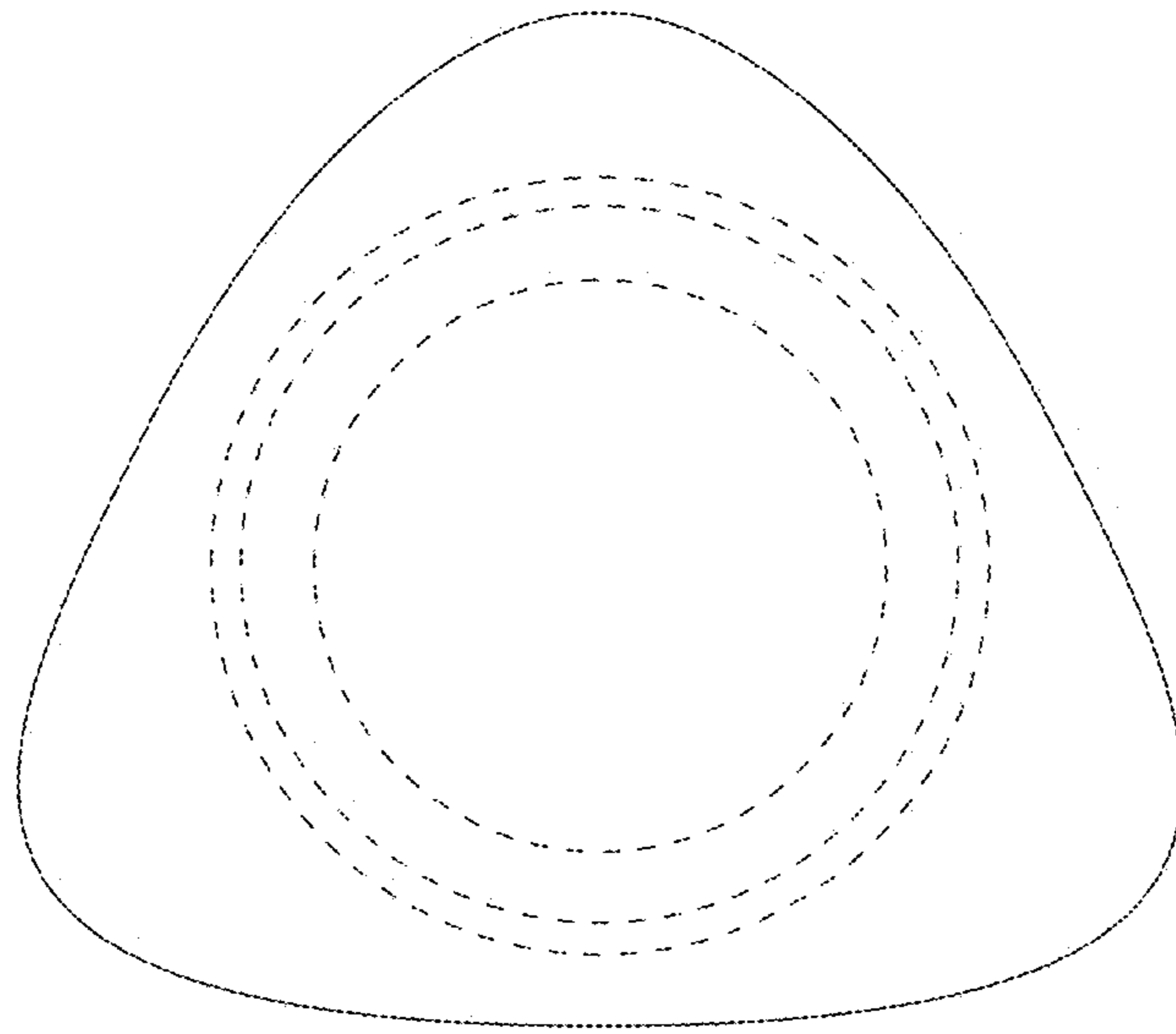


FIG. 6

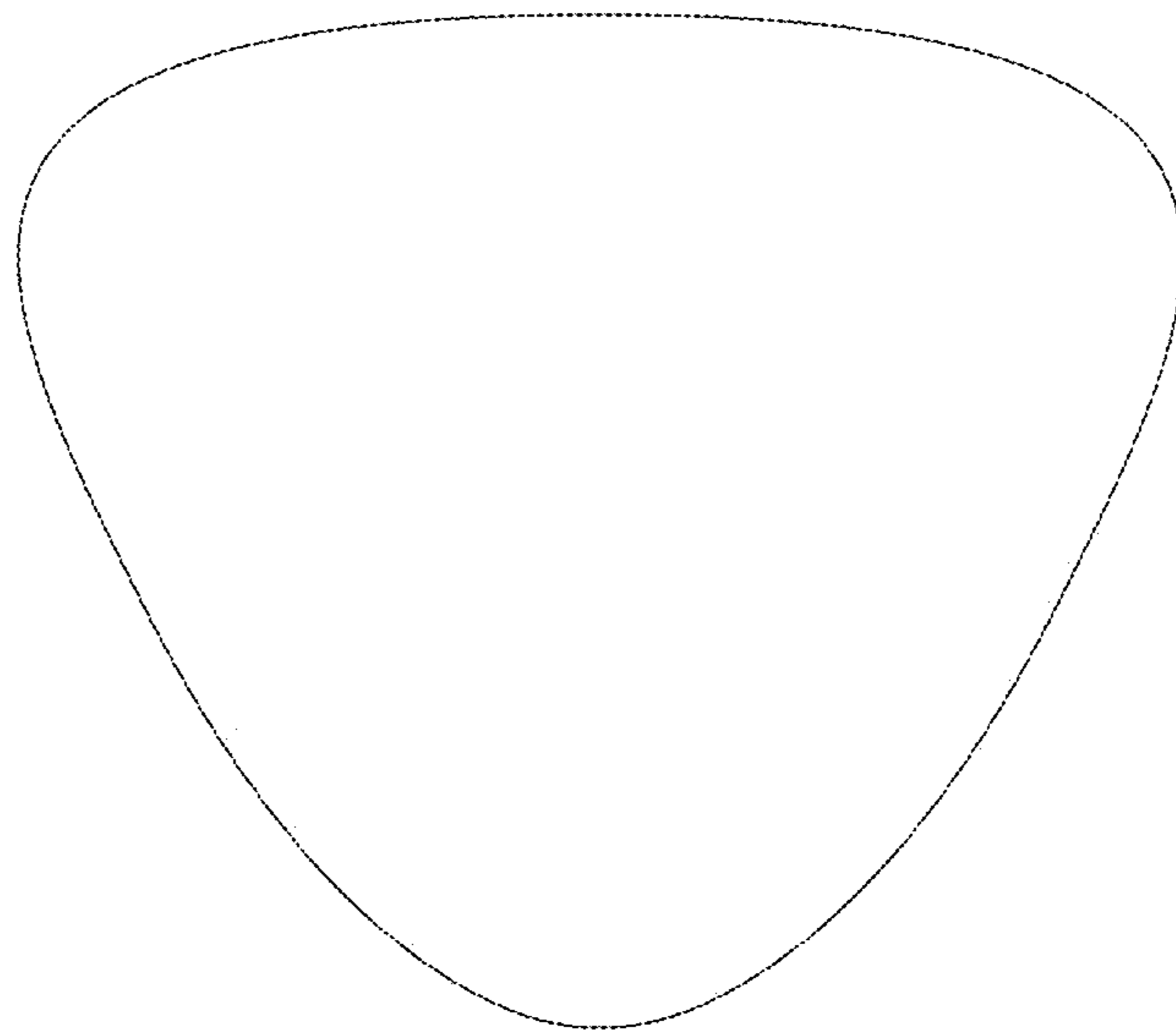


FIG. 7