



US00D813028S

(12) **United States Design Patent** (10) **Patent No.:** **US D813,028 S**
Saito et al. (45) **Date of Patent:** **** Mar. 20, 2018**

(54) **PACKAGE**

(71) Applicant: **Japan Tobacco Inc.**, Tokyo (JP)
(72) Inventors: **Masayoshi Saito**, Tokyo (JP); **Shinichi Iwata**, Tokyo (JP)
(73) Assignee: **Japan Tobacco Inc.**, Tokyo (JP)
(**) Term: **15 Years**

(21) Appl. No.: **29/571,890**
(22) Filed: **Jul. 22, 2016**

(30) **Foreign Application Priority Data**

Jan. 25, 2016 (JP) 2016-001278

(51) **LOC (11) Cl.** **09-03**

(52) **U.S. Cl.**
USPC **D9/415; D9/756**

(58) **Field of Classification Search**
USPC D9/414, 424, 456, 732, 737, 756, 759, D9/761; 206/261, 461, 462, 467, 469, 206/470, 471, 528, 530, 531, 532, 534, 206/534.2, 535-540, 534.1, 5, 34.2; D24/227, 229, 230
CPC B65D 75/327; B65D 2585/56; B65D 75/367; B65D 75/32; B65D 2575/3227; B65D 83/0445; B65D 2575/367; B65D 2575/3245; B65D 83/04; B65D 75/22; B65D 75/5855; B65D 75/323; B65D 2543/00296; B65D 5/4204; B65D 25/04; B65D 75/52; B65D 75/585; B65D 73/0035; B65D 73/0085; B65D 75/58; B65D 2543/00194; B65D 1/36; B65D 73/0078; B65D 2543/00805; B65D 73/0042; B65D 75/225; B65D 77/30; B65D 2543/00092; B65D 75/522; B65D 1/0223; B65C 75/32; B65C 2575/3245; B65C 75/323; B65C 75/585; B65C 73/0085; B65C 75/58; B65C 75/225

See application file for complete search history.

(56) **References Cited**

U.S. PATENT DOCUMENTS

D154,682 S * 8/1949 Hoag D9/756
D161,837 S * 2/1951 Hoag D9/756
D185,890 S * 8/1959 Barton 206/231
3,288,280 A * 11/1966 Bostrom B65D 75/36
206/461

(Continued)

OTHER PUBLICATIONS

Design Application No. HJ2404279000, downloaded on Oct. 22, 2012 [cited in search dated Aug. 16, 2017, relating to JP Design Application No. 2016-001278].

Primary Examiner — Lauren R Calve

(74) *Attorney, Agent, or Firm* — Venable LLP; Jeffri A. Kaminski

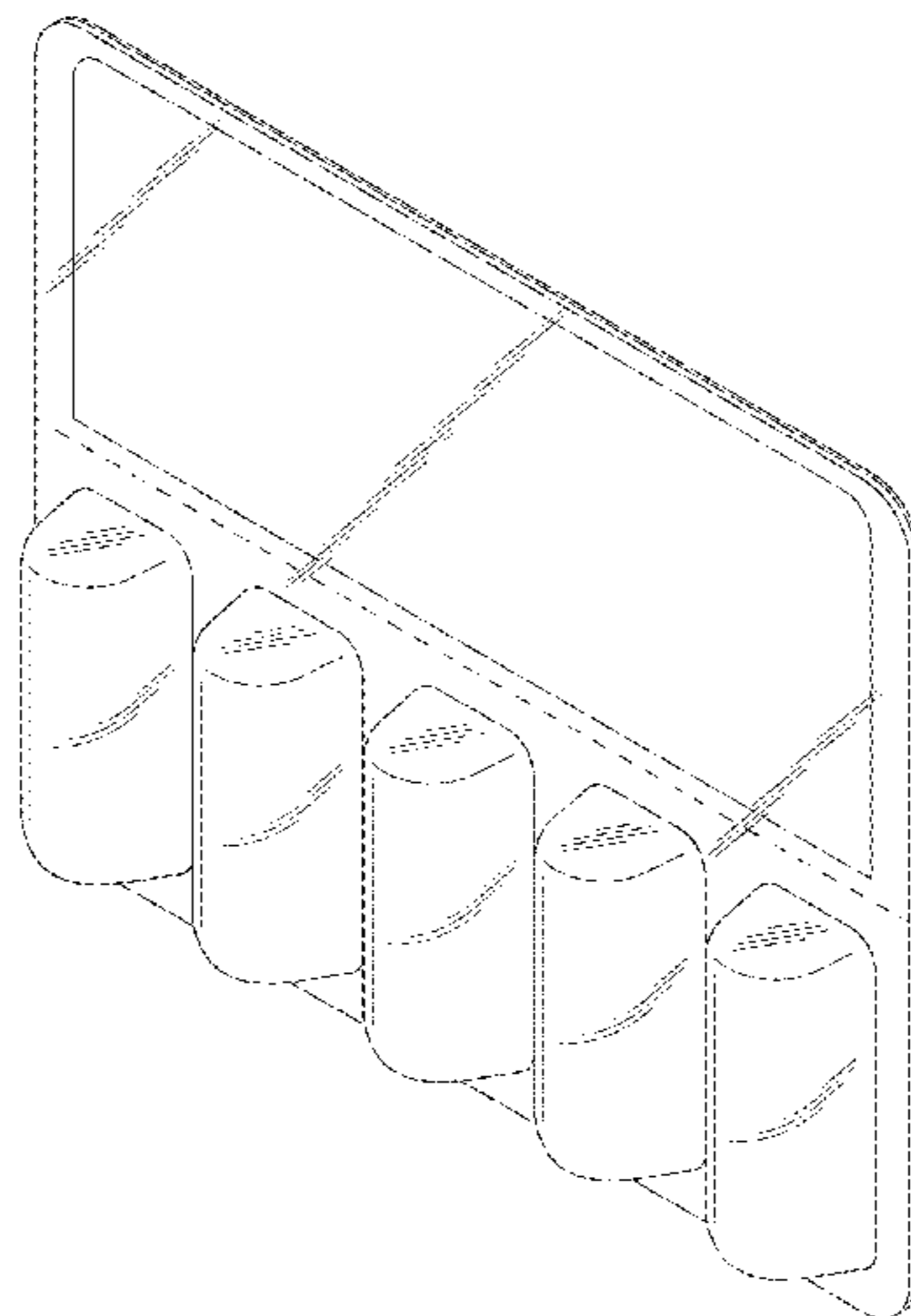
(57) **CLAIM**

The ornamental design for a package, as shown and described.

DESCRIPTION

FIG. 1 is a perspective view of a package, showing our new design;
FIG. 2 is a front view thereof;
FIG. 3 is a rear view thereof;
FIG. 4 is a top view thereof;
FIG. 5 is a bottom view thereof;
FIG. 6 is a left side view thereof;
FIG. 7 is a right side view thereof;
FIG. 8 is an enlarged sectional view thereof, taken along line 8-8 in FIG. 2; and,
FIG. 9 is a perspective view of FIG. 1 shown in a folded configuration.
The dashed lines in FIGS. 1, 2 and 3 indicate perforations and form part of the claimed design.

1 Claim, 6 Drawing Sheets



(56)

References Cited

U.S. PATENT DOCUMENTS

3,812,963 A * 5/1974 Zahuranec B65D 75/366
206/468
D390,457 S * 2/1998 Hoska D9/707
D480,301 S * 10/2003 Pratt D9/415
7,780,009 B2 * 8/2010 Casanova B65B 11/50
206/471
2004/0069675 A1 * 4/2004 Stevens B65D 1/36
206/538
2006/0124506 A1 * 6/2006 Fuchs B65D 75/367
206/703
2008/0272020 A1 * 11/2008 Aldridge B65D 83/0463
206/469
2010/0102062 A1 * 4/2010 Jones B65D 75/327
220/266
2011/0210036 A1 * 9/2011 Jones B65D 73/0092
206/531
2012/0152795 A1 * 6/2012 Leon Alonso A61J 1/035
206/531
2015/0272826 A1 * 10/2015 Alonso A61J 1/035
206/459.5

* cited by examiner

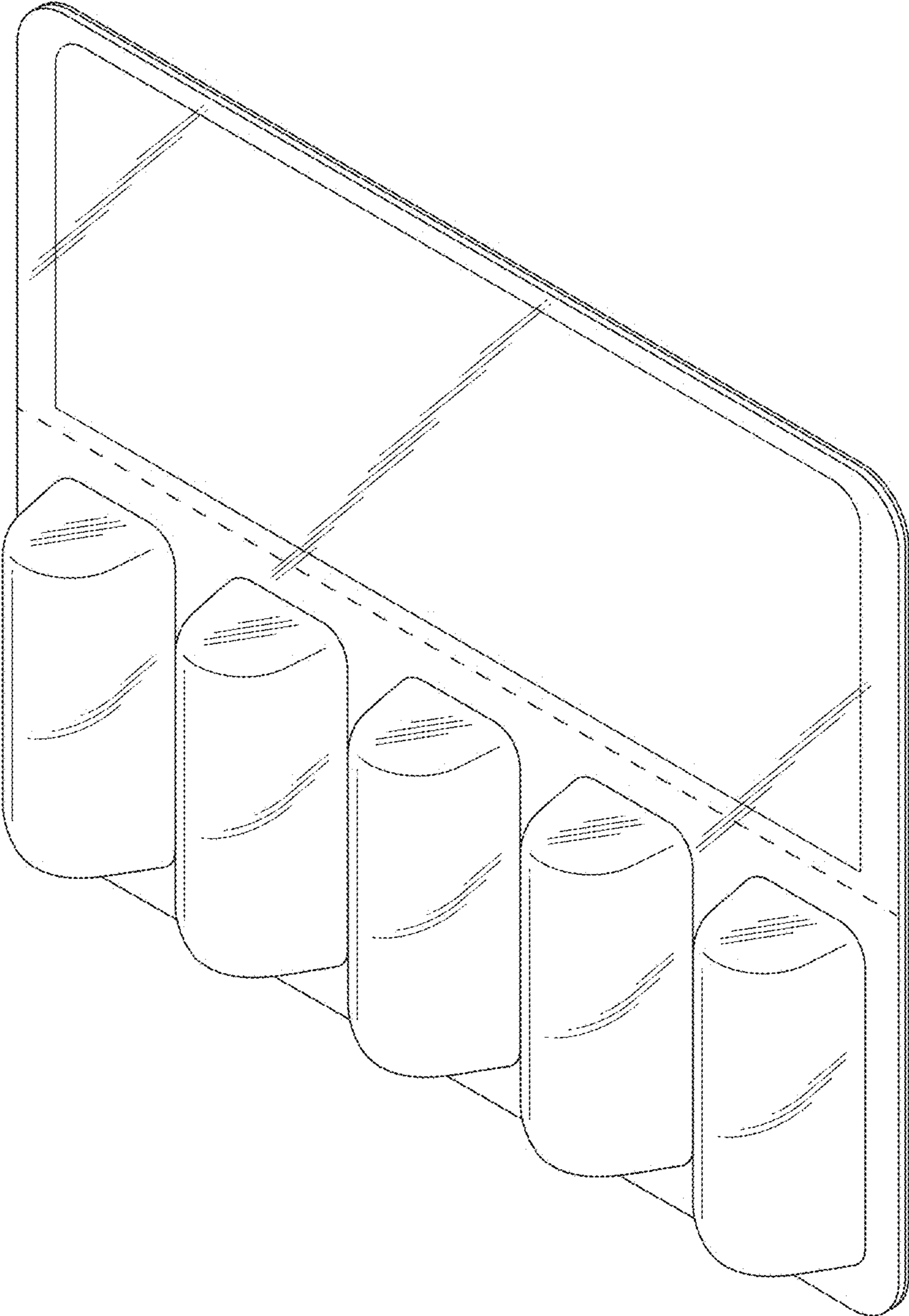


FIG. 1

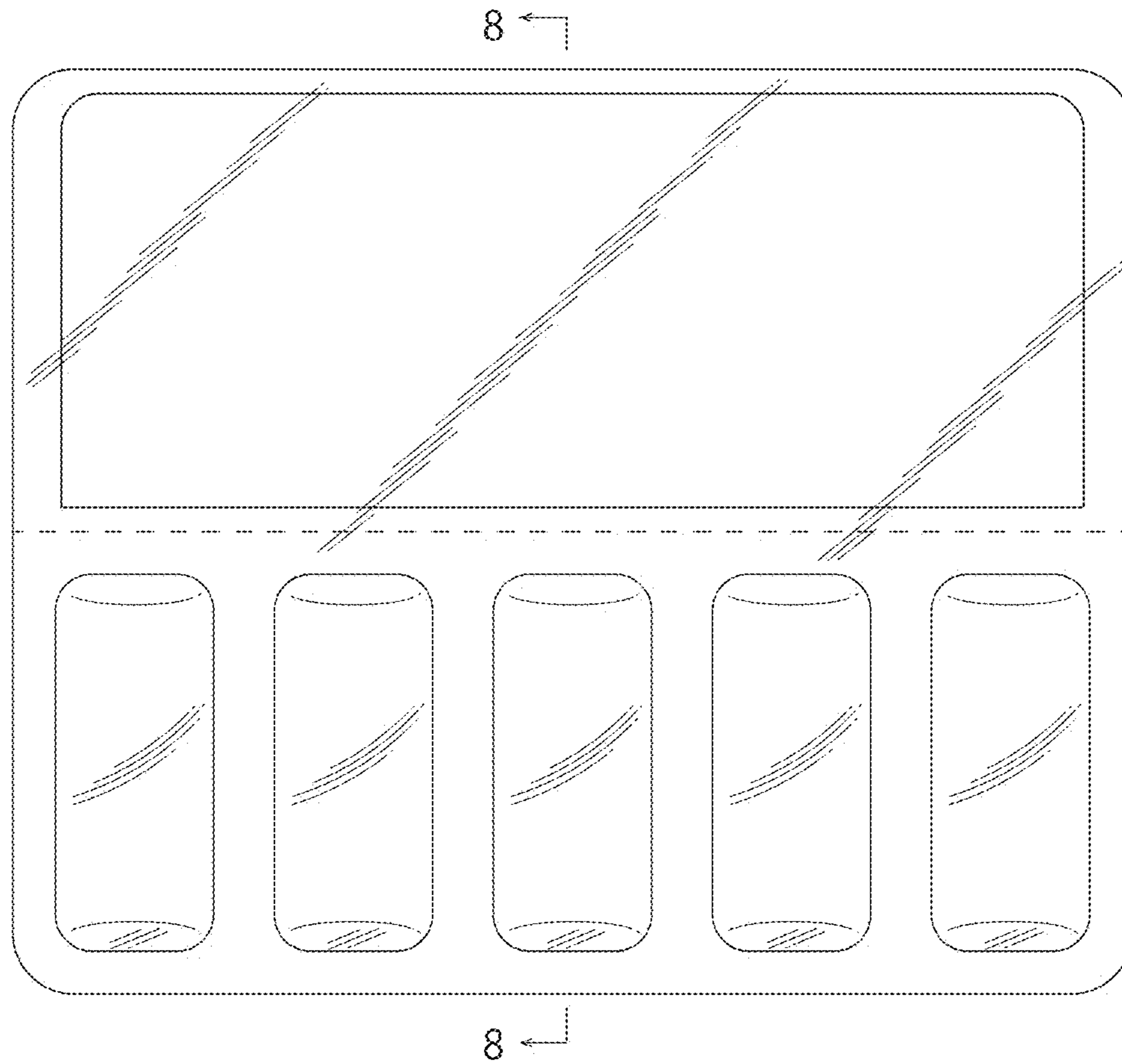


FIG. 2

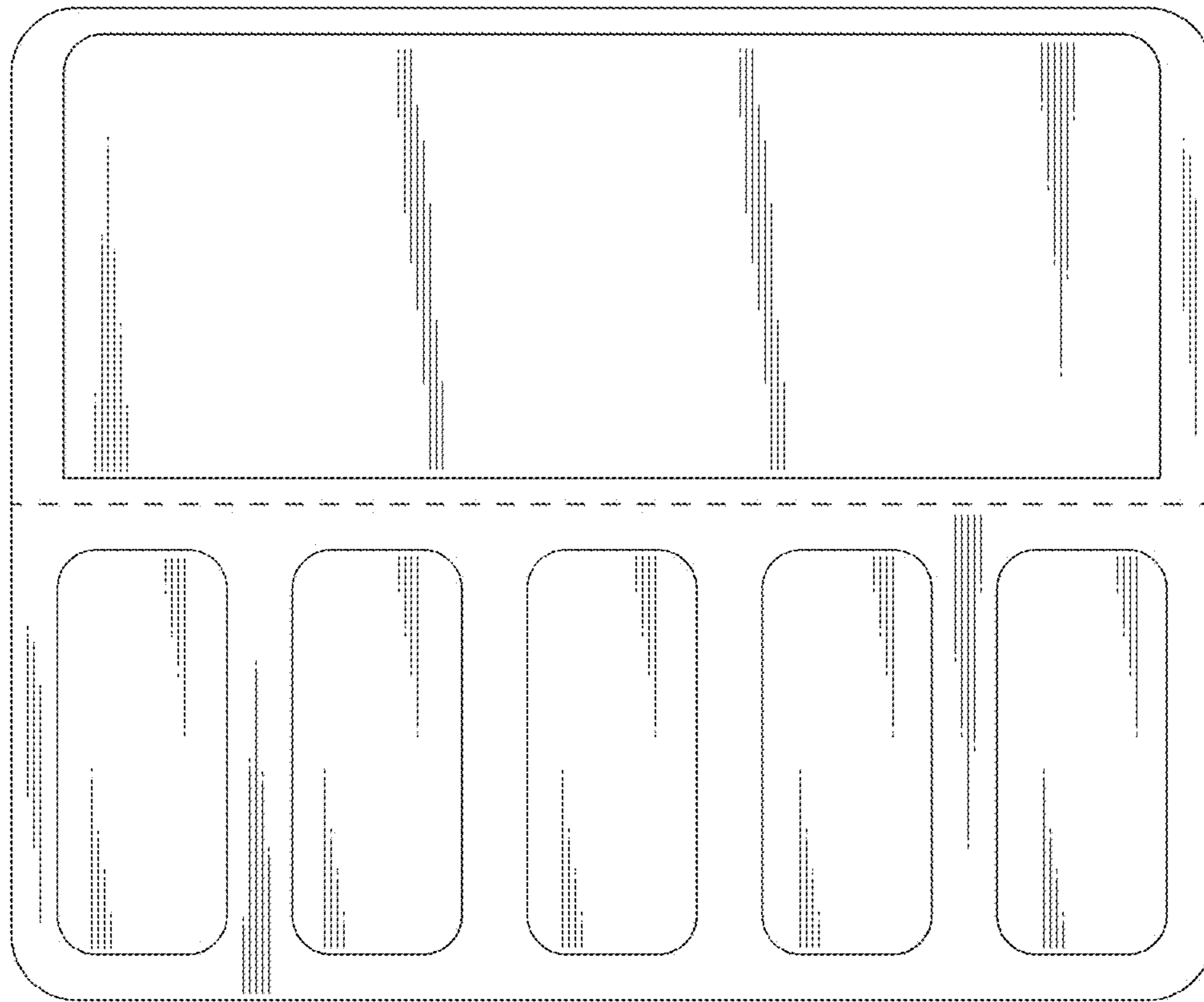


FIG. 3

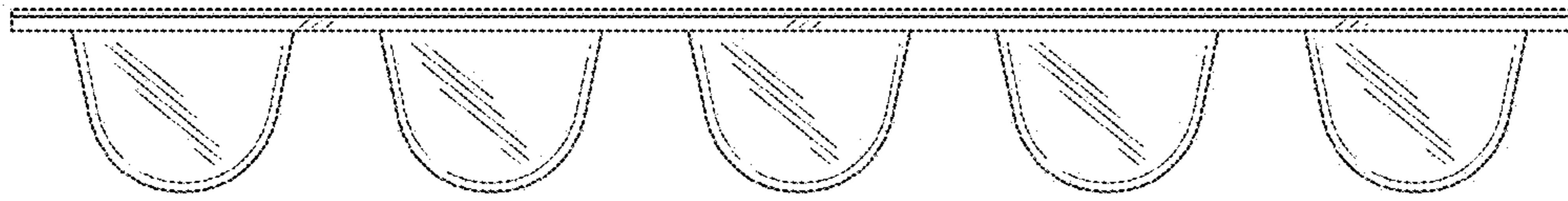


FIG. 4

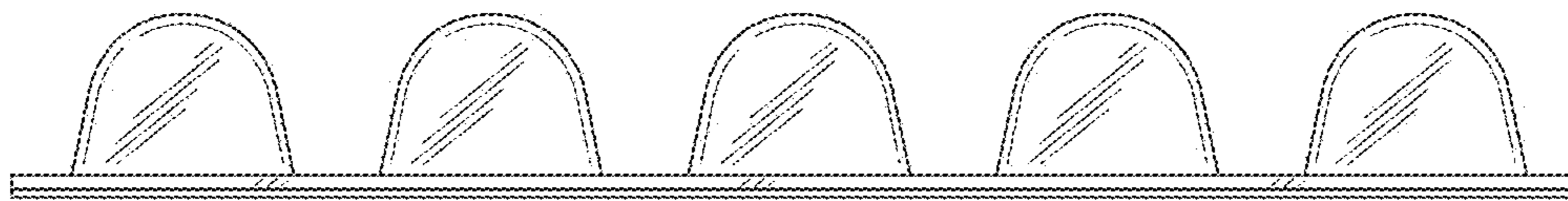


FIG. 5

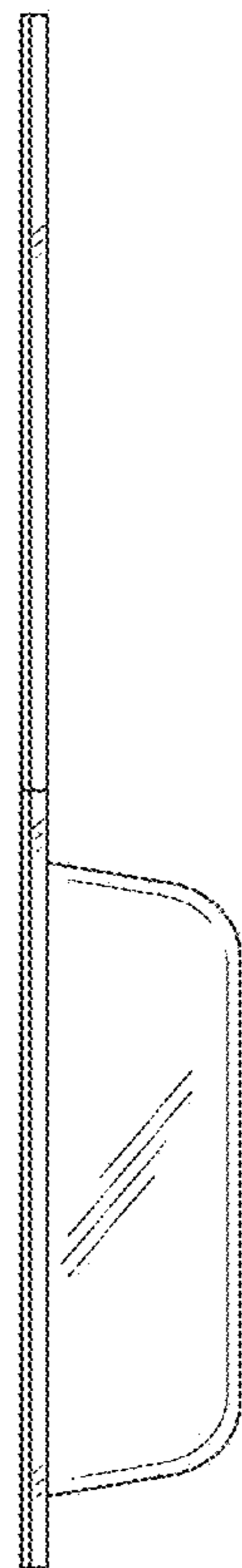


FIG. 6

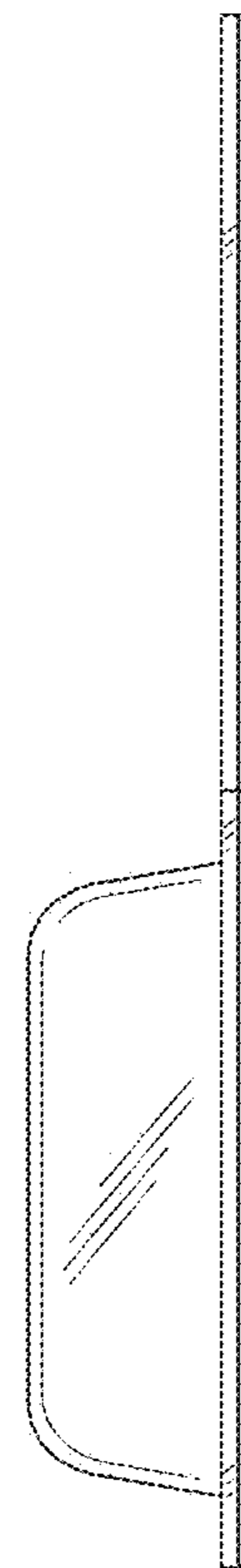


FIG. 7

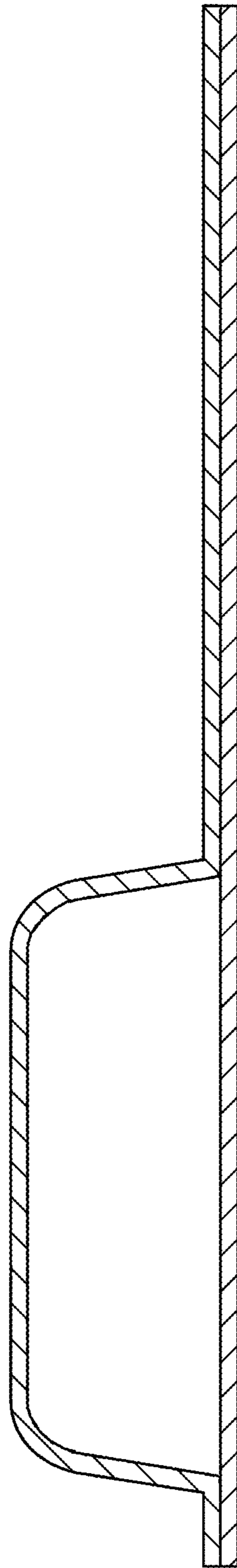


FIG. 8

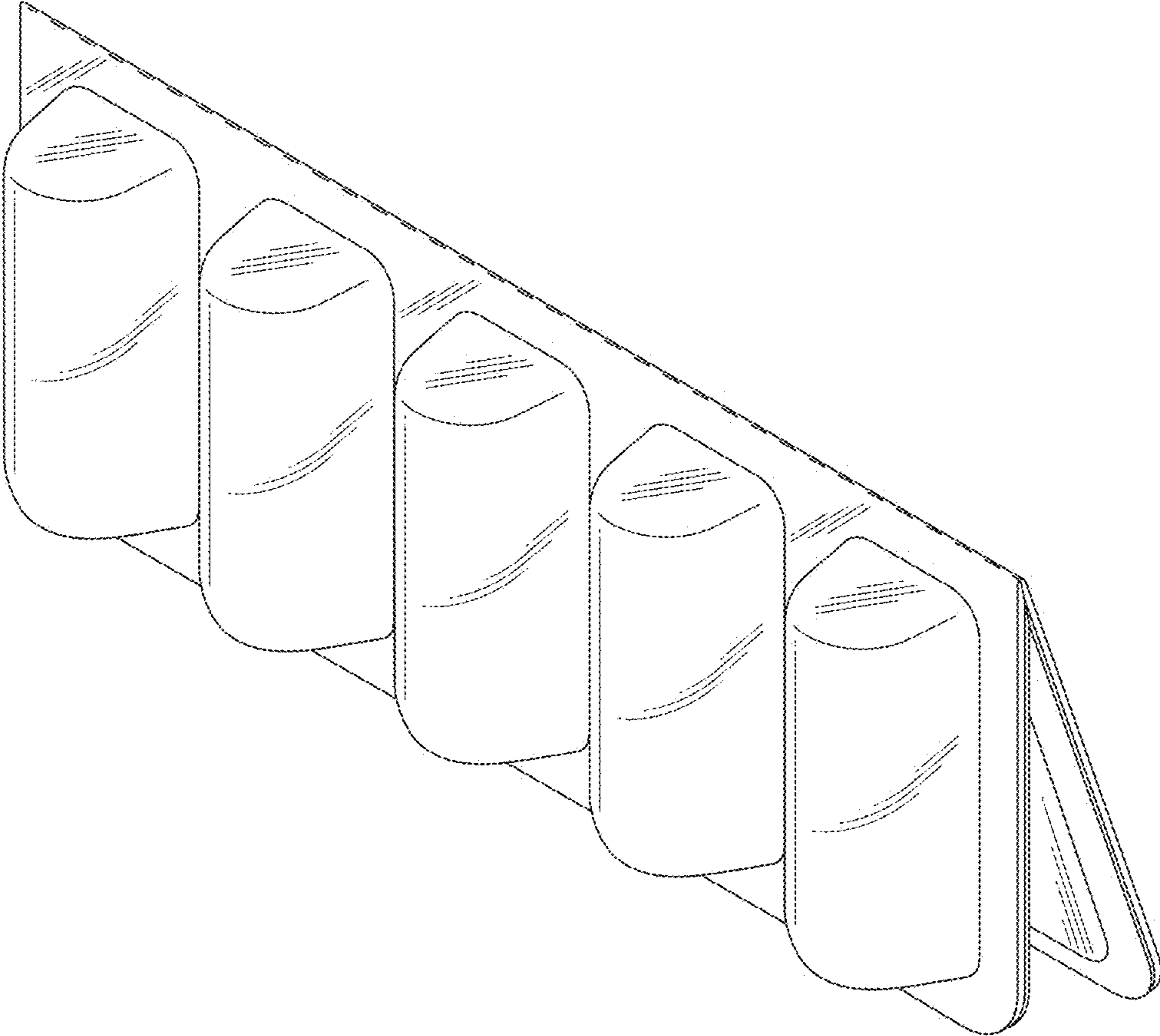


FIG. 9