



US00D813024S

(12) **United States Design Patent**
Neef

(10) **Patent No.: US D813,024 S**

(45) **Date of Patent: ** *Mar. 20, 2018**

(54) **FIXING FOR A PUSH PULL PROP**

(71) Applicant: **PFEIFER HOLDING GMBH & CO. KG, Memmingen (DE)**

(72) Inventor: **Christoph Neef, Kronburg (DE)**

(*) Notice: This patent is subject to a terminal disclaimer.

(**) Term: **15 Years**

(21) Appl. No.: **35/501,302**

(22) Filed: **Nov. 27, 2015**

(80) **Hague Agreement Data**

Int. Filing Date: **Nov. 27, 2015**

Int. Reg. No.: **DM/091627**

Int. Reg. Date: **Nov. 27, 2015**

Int. Reg. Pub. Date: **Jul. 29, 2016**

(30) **Foreign Application Priority Data**

May 29, 2015 (EM) 002709907

(51) **LOC (11) Cl.** **08-08**

(52) **U.S. Cl.**

USPC **D8/382**

(58) **Field of Classification Search**

USPC D8/71, 72, 349, 354, 376, 380, 382, 384,
D8/394, 396, 397, 398, 400; D21/680,
D21/684; D23/259, 262; D25/62, 66,
D25/68, 126, 133, 134

CPC . E04C 5/161; E04C 5/20; E04H 12/00; E04H
12/2261; E04H 12/2269; A63B 21/0728

See application file for complete search history.

(56) **References Cited**

U.S. PATENT DOCUMENTS

805,570 A * 11/1905 Maldaner E06B 9/323
182/228.4

1,083,120 A * 12/1913 May E04C 5/161
285/402

4,269,010 A * 5/1981 Glass E02D 5/80
52/154
D285,050 S * 8/1986 Looney D8/402
5,381,636 A * 1/1995 Kassardjian B29C 45/14065
138/96 R
D363,657 S * 10/1995 Kassardjian D8/354
5,523,043 A * 6/1996 Kassardjian B29C 45/14065
264/273
5,729,941 A * 3/1998 Kassardjian E04C 5/161
248/523
5,943,836 A * 8/1999 Kassardjian E04C 5/161
248/523
5,946,871 A * 9/1999 Kassardjian B29C 45/14065
138/96 R
6,402,117 B1 * 6/2002 Tsai E04H 12/2261
248/530
6,712,330 B1 * 3/2004 Damiano E04H 12/2261
248/519
6,955,330 B1 * 10/2005 Weiser E01F 9/681
248/529
7,303,171 B1 * 12/2007 Chen B60R 11/00
224/908

(Continued)

OTHER PUBLICATIONS

The New Pfeifer MoFi is Here!, J&P Building Systems Ltd, News Release, Mar. 13, 2017, www.jp-uk.com/news/news/new-pfeifer-mofi-here.*

Primary Examiner — Elizabeth Albert

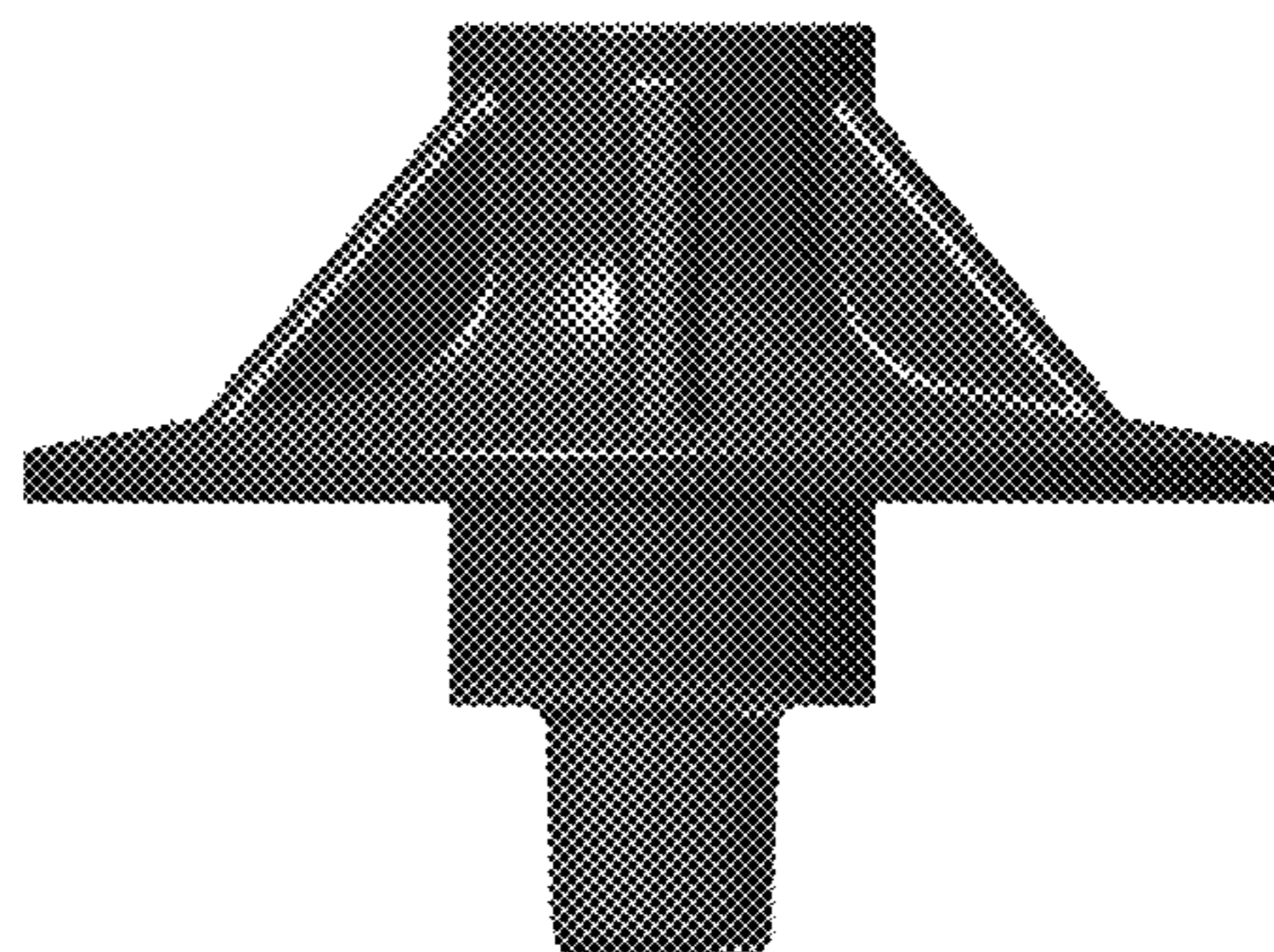
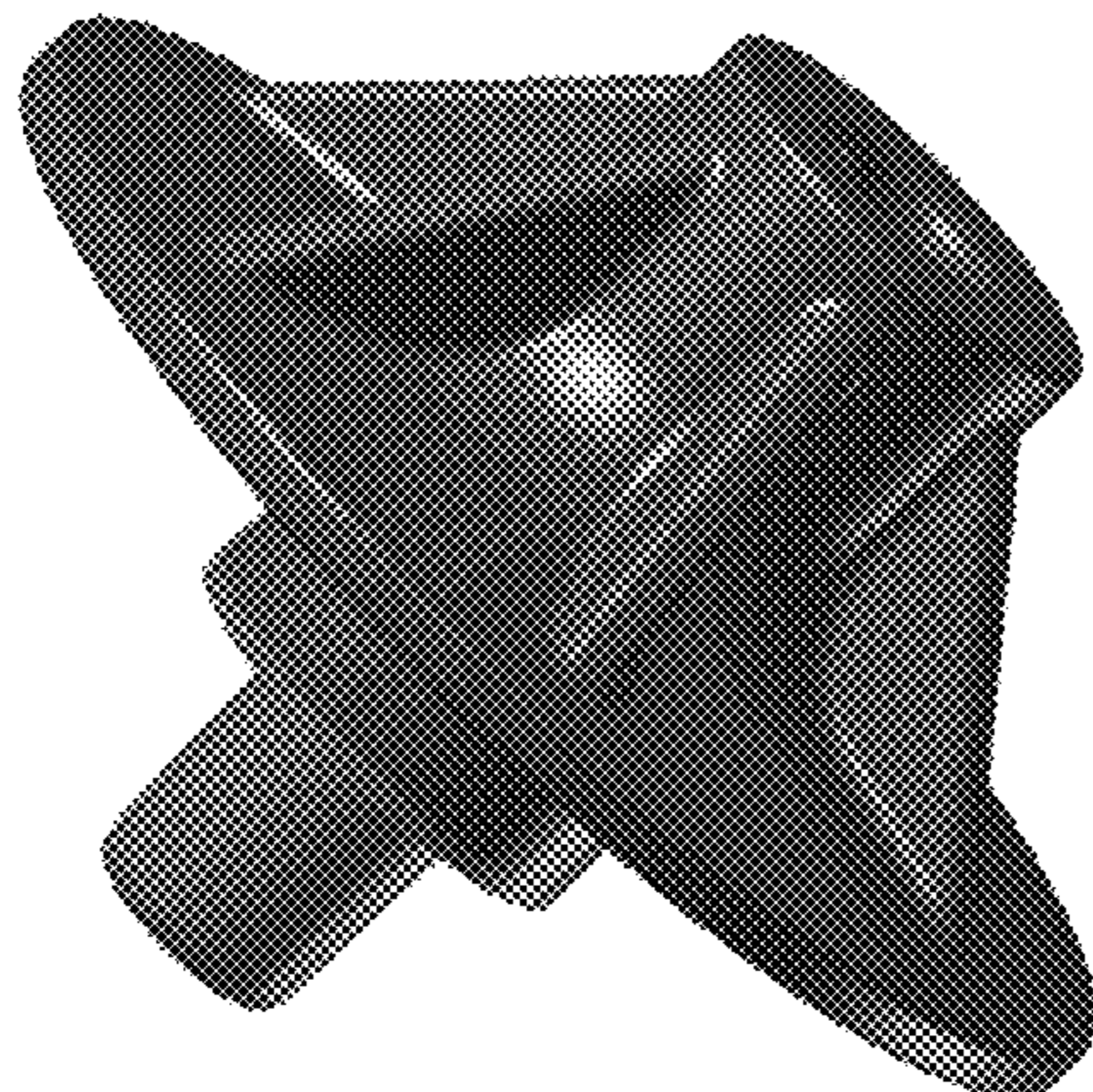
(57) **CLAIM**

I claim the ornamental design for a fixing for a push pull prop, as shown and described.

DESCRIPTION

4.1 is a top front perspective view of a fixing for a push pull prop embodying my design;
4.2 is a bottom perspective view of **4.1**; and
4.3 is a side elevational view of **4.1**.

1 Claim, 1 Drawing Sheet



(56)

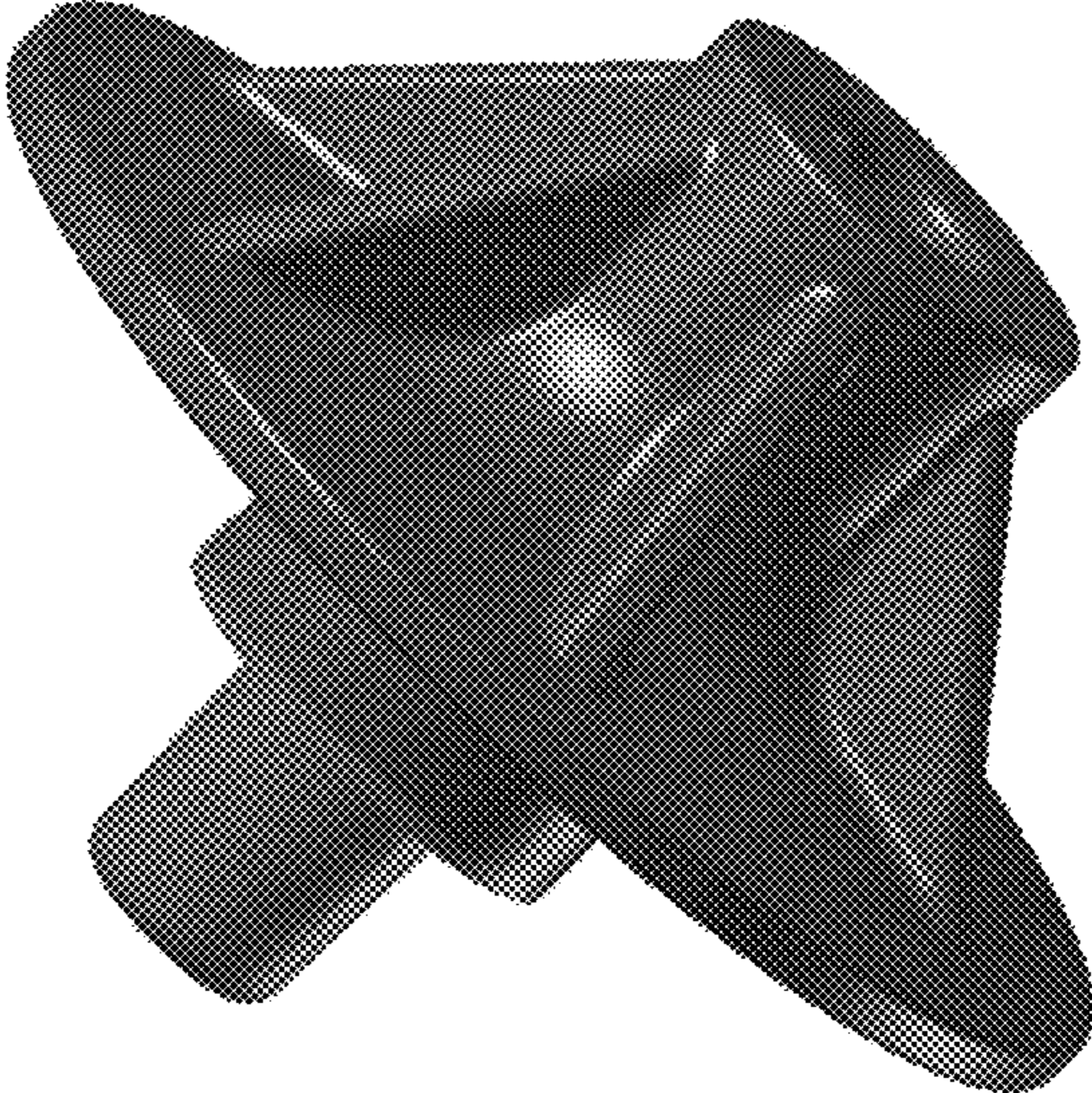
References Cited

U.S. PATENT DOCUMENTS

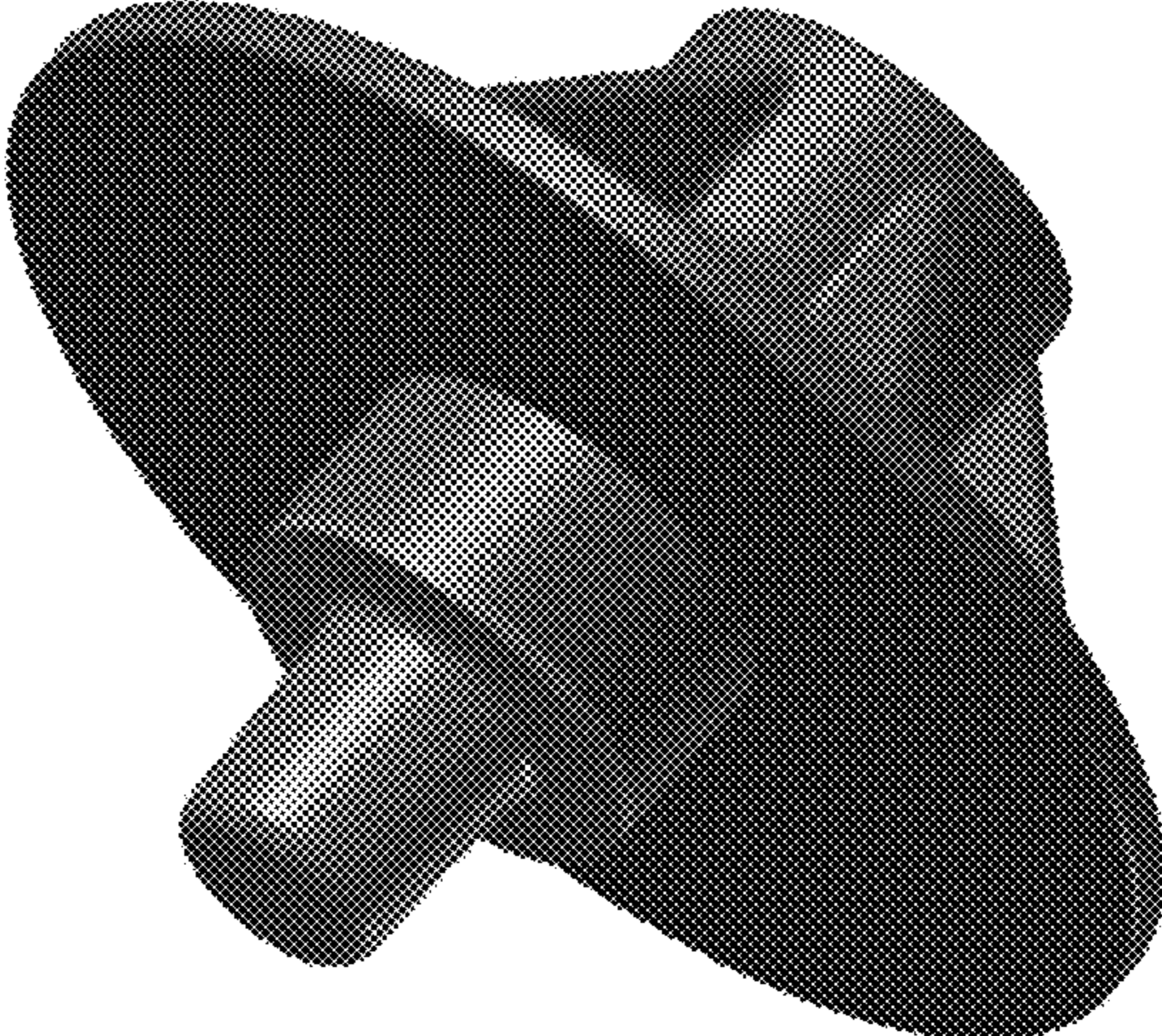
7,650,700 B1 * 1/2010 Blankenship E04F 21/0092
33/527
7,716,898 B1 * 5/2010 Dunn E04C 5/161
248/49
7,819,786 B1 * 10/2010 Cao A63B 21/0726
482/106
8,141,309 B2 * 3/2012 Kubicek E04C 5/161
138/96 R
D657,233 S * 4/2012 Penney D8/376
D732,946 S * 6/2015 Smith D8/400
D737,120 S * 8/2015 Recker D8/354
D762,458 S * 8/2016 Horne D8/354
9,662,530 B2 * 5/2017 Dimitrov A63B 21/0728
2009/0313927 A1 * 12/2009 Myers, Jr. E04C 5/161
52/301
2017/0152641 A1 * 6/2017 Serna Garc
A-Conde E02D 27/425

* cited by examiner

4.1



4.2



4.3

