



US00D813023S

(12) **United States Design Patent**
Reigstad

(10) **Patent No.:** **US D813,023 S**
(45) **Date of Patent:** **** Mar. 20, 2018**

(54) **POST-TENSION CONCRETE SPLICING DEVICE**

(71) Applicant: **REIGSTAD & ASSOCIATES, INC.**,
Saint Paul, MN (US)

(72) Inventor: **Gordon H. Reigstad**, Saint Paul, MN
(US)

(73) Assignee: **REIGSTAD & ASSOCIATES, INC.**,
Saint Paul, MN (US)

(**) Term: **15 Years**

(21) Appl. No.: **29/573,605**

(22) Filed: **Aug. 8, 2016**

(51) **LOC (11) Cl.** **08-08**

(52) **U.S. Cl.**
USPC **D8/382**

(58) **Field of Classification Search**
USPC D8/14, 71, 349, 354, 382, 394, 396, 397,
D8/499; D25/102, 119, 124, 133, 164,
D25/199

CPC ... E04C 5/08; E04C 5/165; E04C 5/18; E04C
5/162; E04B 5/32; E04B 2005/324; E04B
2103/02; F16B 7/182

See application file for complete search history.

(56) **References Cited**

U.S. PATENT DOCUMENTS

518,793 A	4/1894	Smith	
2,251,189 A *	7/1941	Jensen	H01R 4/20 174/90
2,843,408 A *	7/1958	Stukenborg	F16B 7/06 403/299
4,099,360 A	7/1978	Outram	
4,708,038 A *	11/1987	Hellnick	E21B 17/0423 285/333
5,046,878 A *	9/1991	Young	E04C 5/165 403/13

5,152,118 A *	10/1992	Lancelot	E04C 5/125 52/848
5,230,199 A	7/1993	Yee	
5,305,573 A	4/1994	Baumann	
5,411,347 A	5/1995	Bowmer et al.	
5,746,555 A *	5/1998	McEvoy	E04C 5/165 403/307
5,876,147 A	3/1999	Longo	
5,924,235 A *	7/1999	McCulley	A01K 87/02 403/334
6,073,642 A *	6/2000	Huang	A45B 9/00 135/114
6,152,643 A	11/2000	Miller	
6,202,282 B1 *	3/2001	Holdsworth	E04C 5/165 29/456

(Continued)

Primary Examiner — Sandra S Snapp

Assistant Examiner — Ieisha N Price

(74) *Attorney, Agent, or Firm* — Hamre, Schumann,
Mueller & Larson, P.C.

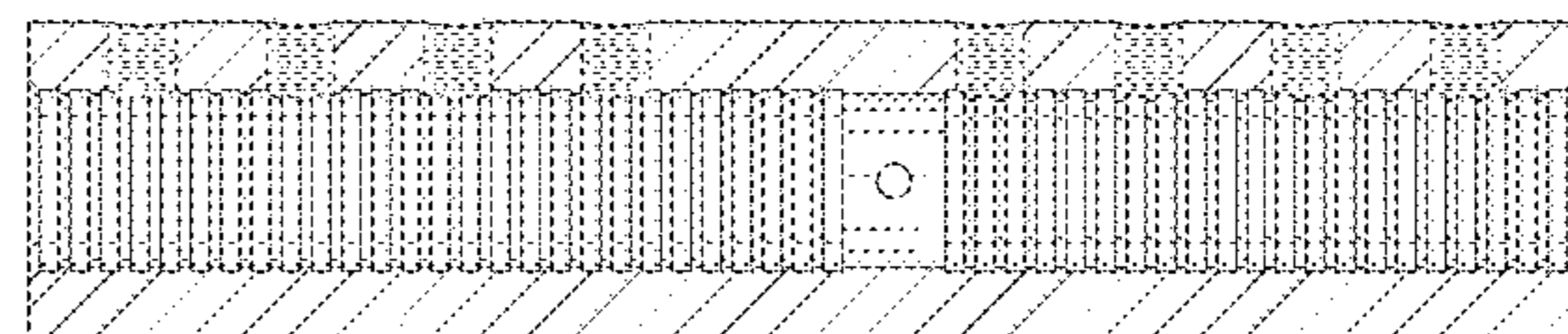
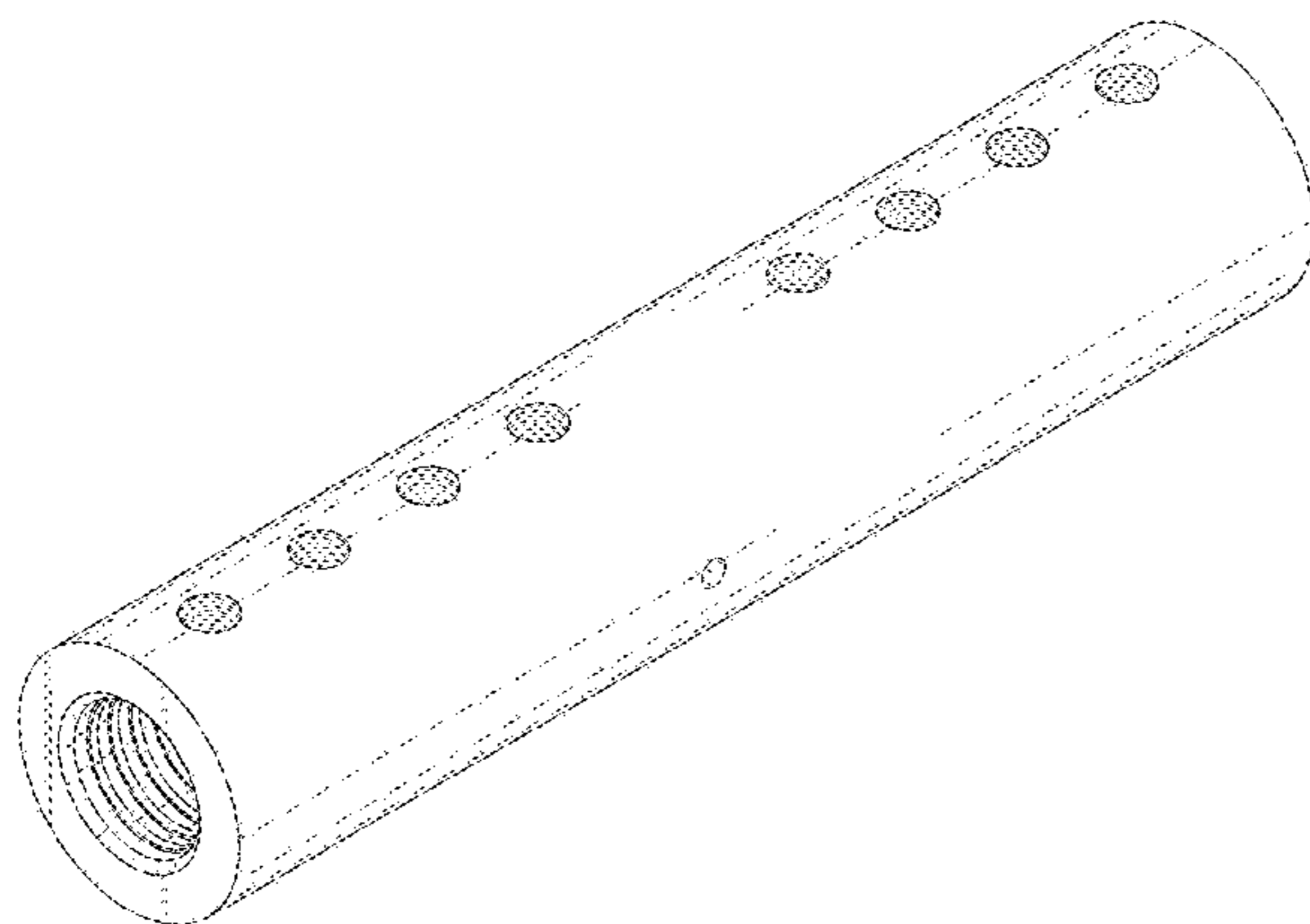
(57) **CLAIM**

The ornamental design for a post-tension concrete splicing device, as shown and described.

DESCRIPTION

FIG. 1 is a perspective view of a post-tension concrete splicing device;
 FIG. 2 is a front elevational view thereof;
 FIG. 3 is a rear elevational view thereof;
 FIG. 4 is a top elevational view thereof;
 FIG. 5 is a bottom elevational view thereof;
 FIG. 6 is a left side view thereof, and a right side view is a mirror image of the left side view;
 FIG. 7 is a section view along 7-7 in FIG. 6; and,
 FIG. 8 is a section view along 8-8 in FIG. 2.
 The broken lines defining threaded bolt holes illustrate environmental subject matter only and form no part of the claimed design. Surface shading lines form no part of the claimed design.

1 Claim, 5 Drawing Sheets



US D813,023 S

Page 2

(56)

References Cited

U.S. PATENT DOCUMENTS

D489,967 S *	5/2004	Funk	D8/382	2005/0180813 A1	8/2005	Van De Riet	
6,851,245 B1 *	2/2005	Abukawa	E04C 5/165	2006/0067785 A1 *	3/2006	Holdsworth E04C 5/165
				403/305				
6,964,408 B1 *	11/2005	Scalfari	A63D 5/08	2006/0108805 A1 *	5/2006	Papousek E04C 5/165
				254/234				
D579,990 S *	11/2008	Dalcourt	D21/662	2006/0228170 A1 *	10/2006	Joo E04C 5/165
D605,499 S *	12/2009	Gaudron	D8/349				
D714,132 S *	9/2014	Hazantonis	D8/382	2007/0175167 A1	8/2007	Allen et al.	
8,985,709 B2 *	3/2015	Schlanger	B60B 1/003	2008/0172979 A1	7/2008	Wilson et al.	
				301/104	2010/0031607 A1 *	2/2010	Oliva E04C 5/165
2002/0114664 A1 *	8/2002	Gregel	E04C 5/165				
				403/305	2013/0230350 A1	9/2013	Kim et al.	
2004/0238558 A1 *	12/2004	Frohlich	E04C 5/165	2014/0010590 A1	1/2014	Stewart et al.	
				221/210	2014/0318704 A1	10/2014	Yamazaki et al.	
2005/0072103 A1 *	4/2005	Hopwood	E04C 5/165	2015/0176278 A1	6/2015	Reigstad	
				52/633	2016/0340902 A1	11/2016	Reigstad	
2005/0169701 A1 *	8/2005	Kies	E04C 5/165	2017/0081853 A1	3/2017	Kim	
				403/293	2017/0097090 A1 *	4/2017	Lochmann F02F 3/00
					2017/0130473 A1	5/2017	Weise	
					2017/0204608 A1 *	7/2017	Yang E04C 5/165
					2017/0204609 A1	7/2017	Reigstad	

* cited by examiner

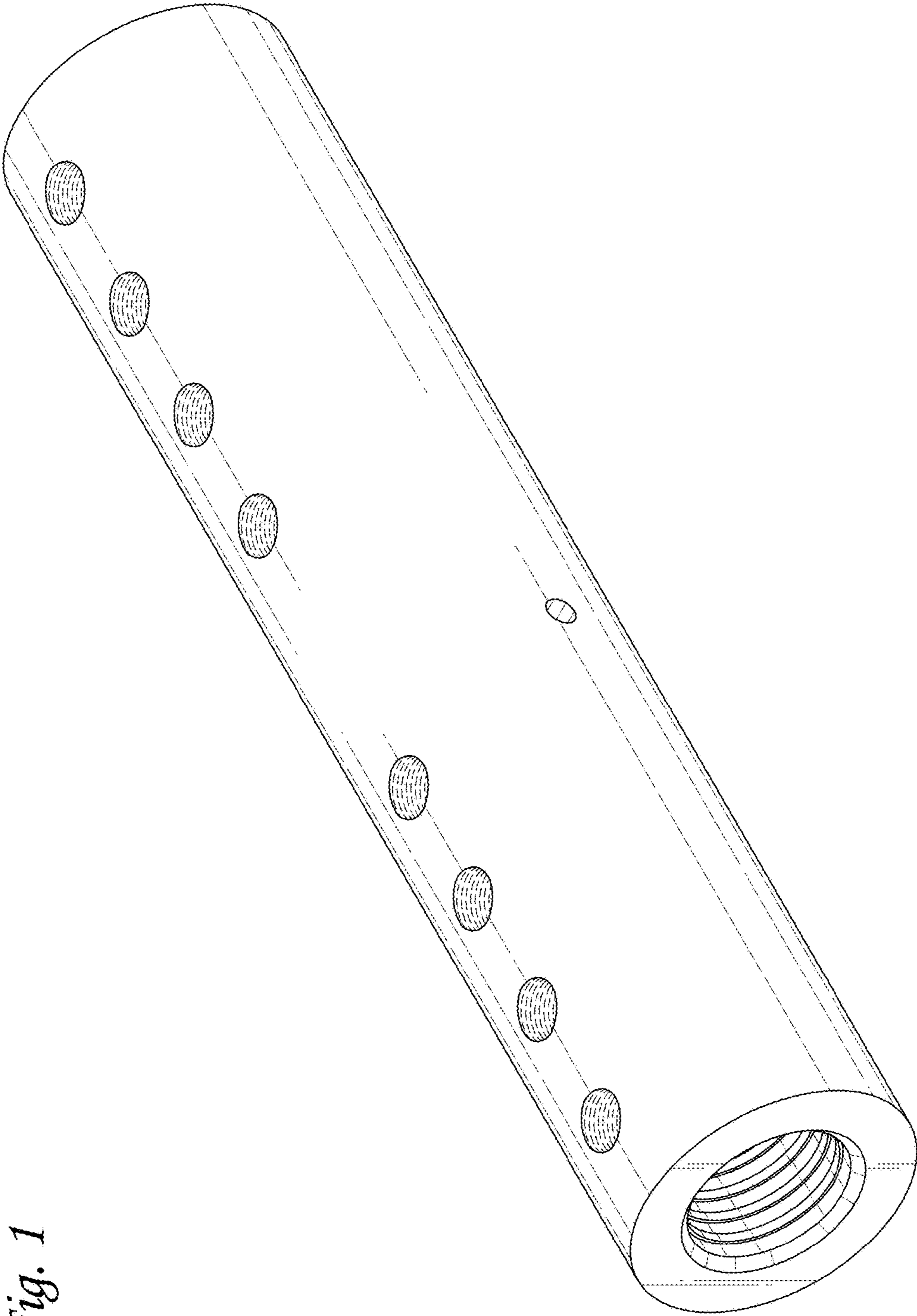


Fig. 1

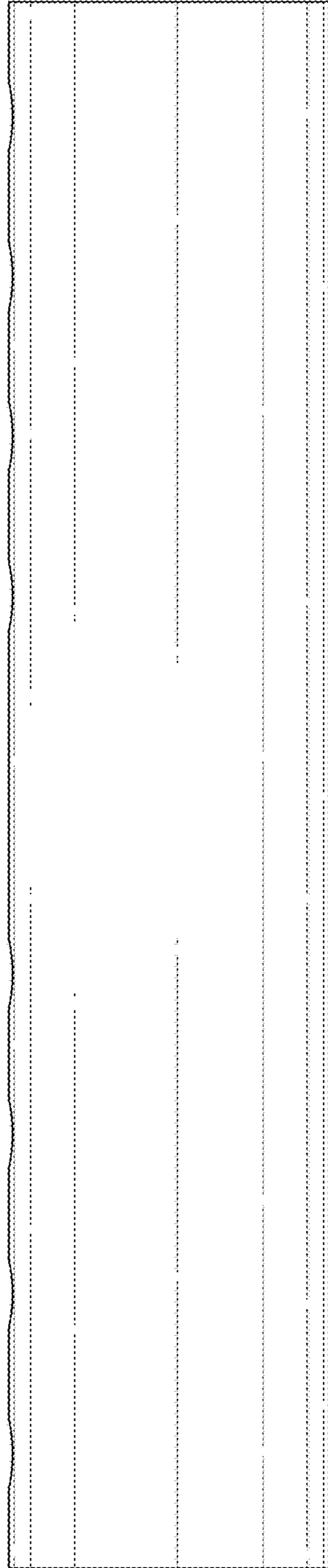
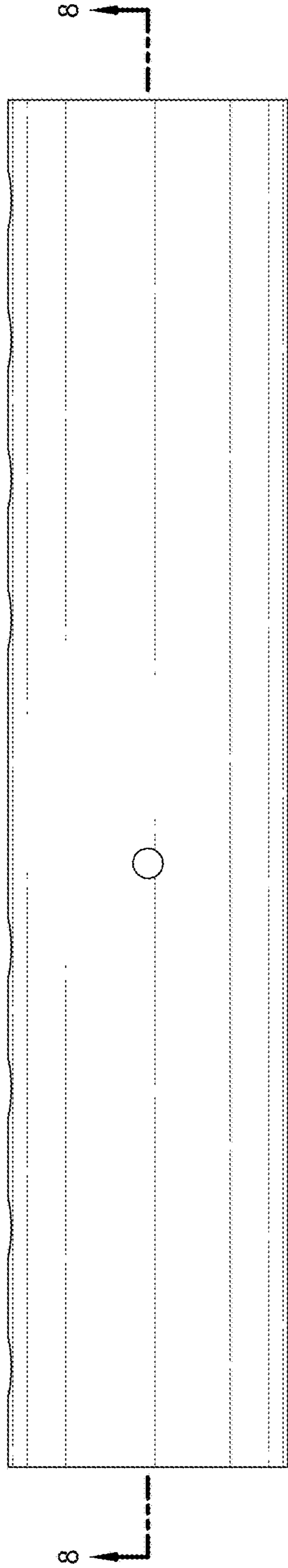


Fig. 2

Fig. 3

Fig. 4

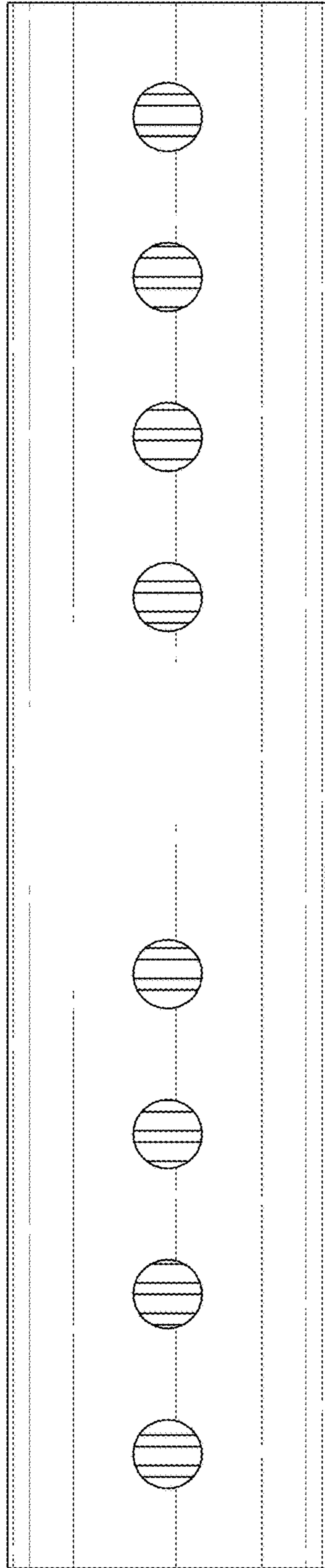


Fig. 5

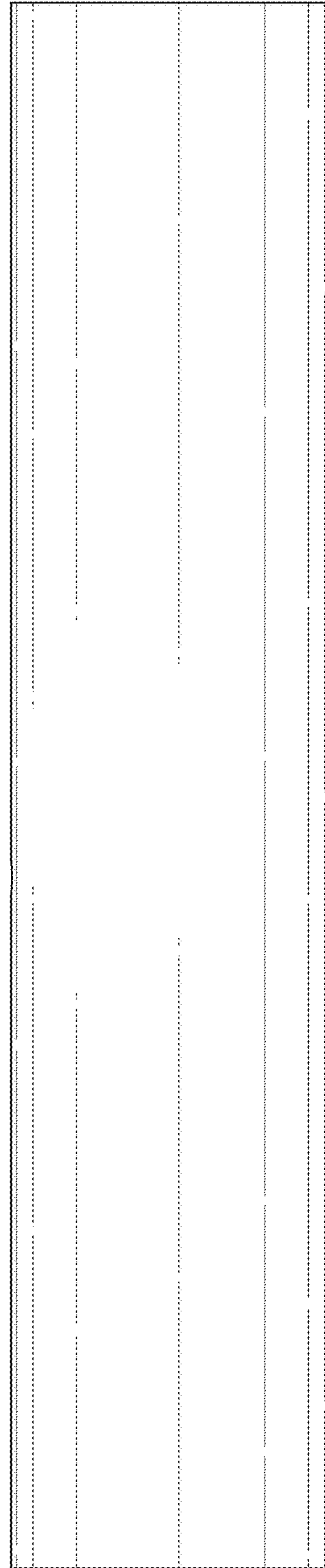


Fig. 6

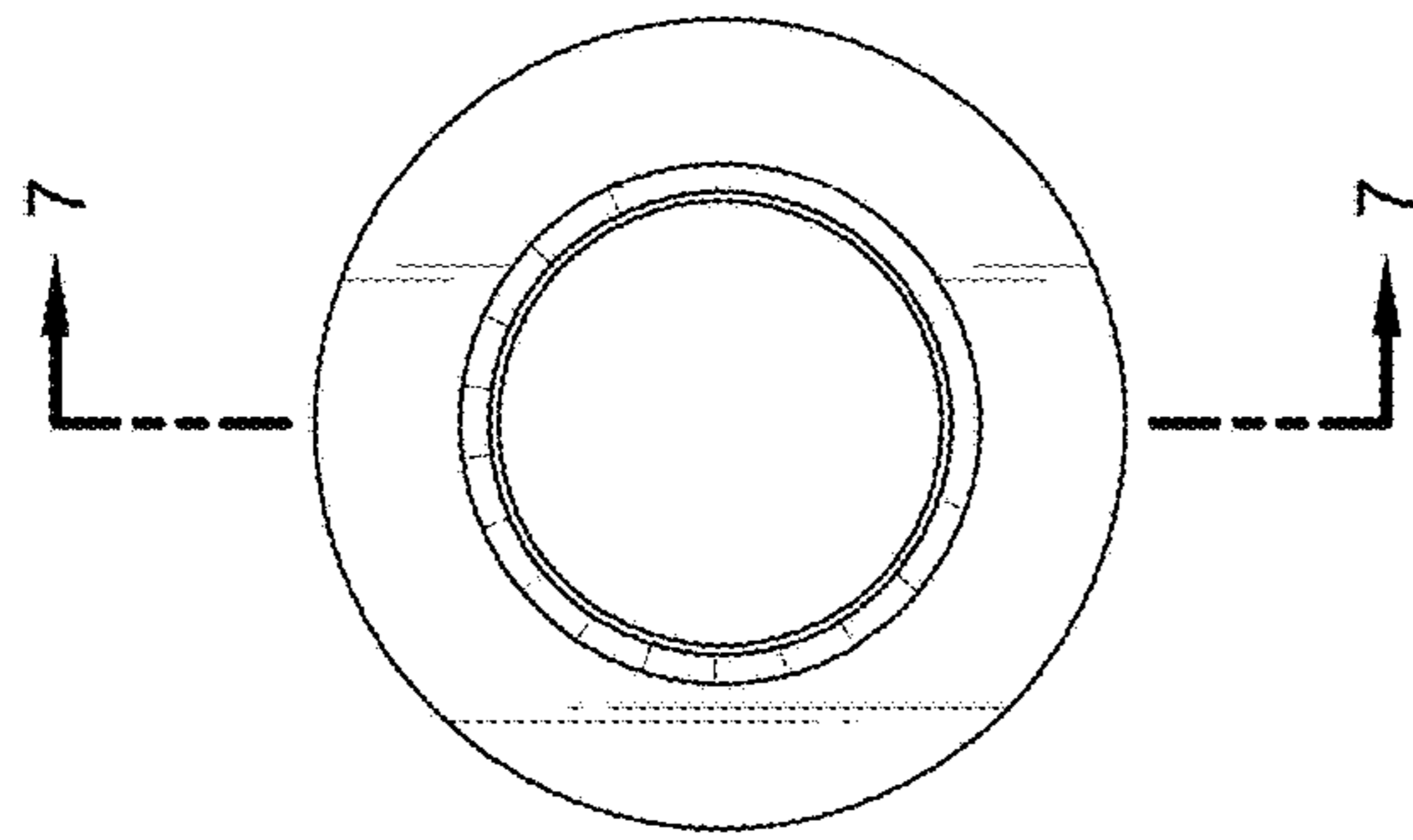
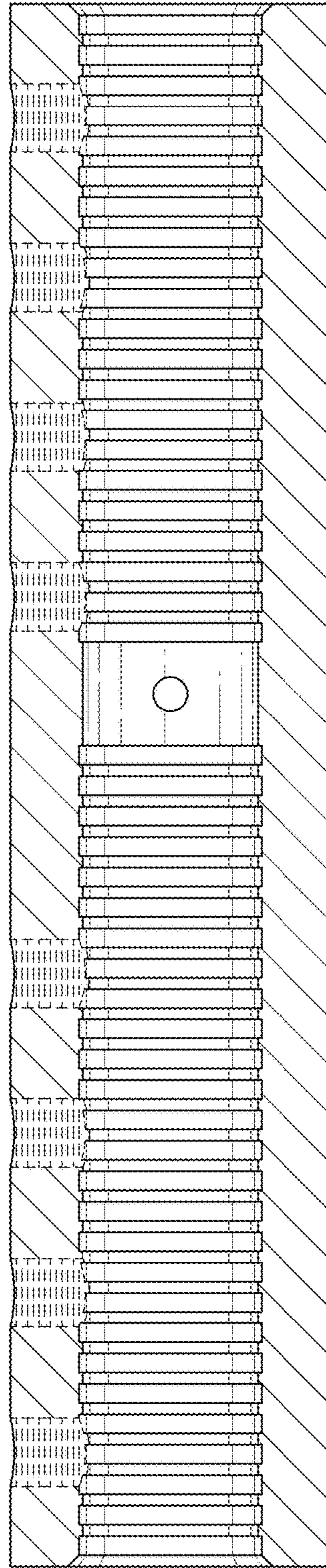


Fig. 7



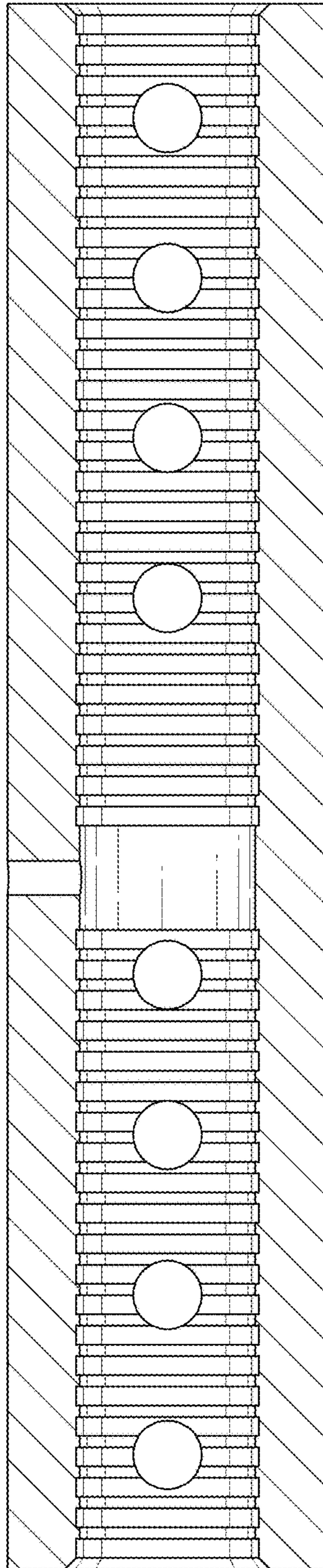


Fig. 8