



US00D813020S

(12) **United States Design Patent**
DeDios-Shirley et al.

(10) **Patent No.:** **US D813,020 S**
(45) **Date of Patent:** **** Mar. 20, 2018**

(54) **ADJUSTABLE WALL MOUNT**

(71) Applicant: **HIDEit Mounts, Inc.**, Reno, NV (US)

(72) Inventors: **Relina Belen DeDios-Shirley**, Reno, NV (US); **Charles Edward Shirley**, Reno, NV (US)

(73) Assignee: **HIDEit Mounts, Inc.**, Reno, NV (US)

(**) Term: **15 Years**

(21) Appl. No.: **29/588,834**

(22) Filed: **Dec. 23, 2016**

(51) **LOC (11) Cl.** **08-05**

(52) **U.S. Cl.**
USPC **D8/380**

(58) **Field of Classification Search**
USPC D8/381, 380, 373, 371, 370, 366, 354;
248/311, 316.1
See application file for complete search history.

(56) **References Cited**

U.S. PATENT DOCUMENTS

D242,766 S	12/1976	Neece	
4,079,604 A *	3/1978	Anderegg B60R 11/0205 248/285.1
4,467,244 A	8/1984	Dickie	
D296,075 S *	6/1988	Jones D15/7
5,044,589 A *	9/1991	Milne A47H 1/124 160/902
5,227,582 A	7/1993	Velasco et al.	
D370,171 S *	5/1996	Emerson D8/354
D388,136 S *	12/1997	Lecocq D21/502
5,765,850 A *	6/1998	Emerson B60D 1/46 280/490.1
D409,079 S	5/1999	Sobczynski	
6,402,111 B1 *	6/2002	Stewart A47B 21/0314 248/295.11
6,554,527 B1	4/2003	O'Donnell et al.	

(Continued)

OTHER PUBLICATIONS

Relina Belen Dedios-Shirley, et al, Design U.S. Appl. No. 29/530,127, filed Jun. 12, 2015, issued Aug. 23, 2016.

(Continued)

Primary Examiner — Lakiya G Rogers

Assistant Examiner — Harold E Blackwell, II

(74) *Attorney, Agent, or Firm* — Holland & Hart LLP

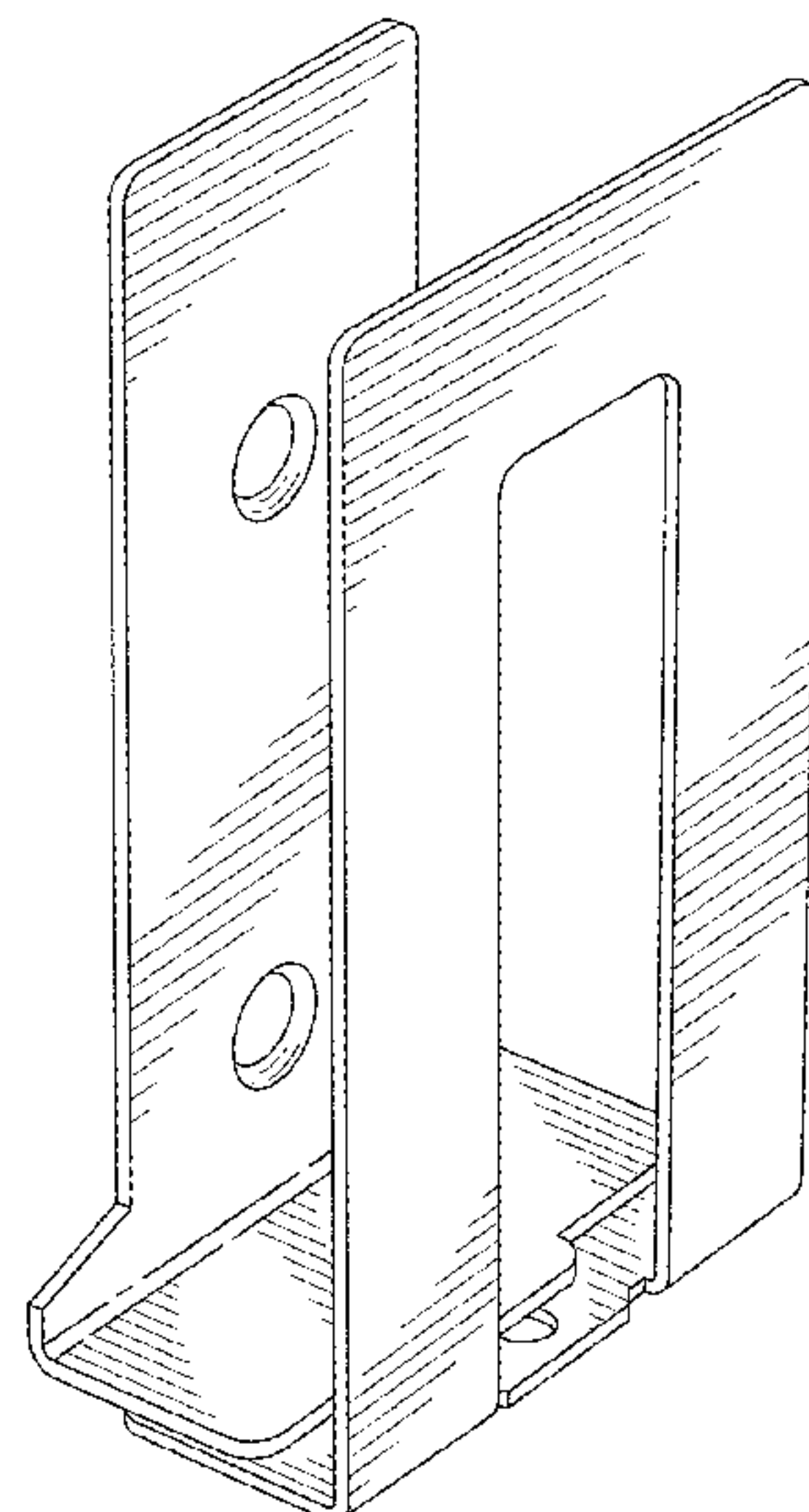
(57) **CLAIM**

The ornamental design for an adjustable wall mount, as shown and described.

DESCRIPTION

FIG. 1 is a perspective view of the adjustable wall mount showing our new design;
 FIG. 2 is a side view of the adjustable wall mount shown in FIG. 1;
 FIG. 3 is an opposite side view of FIG. 2 of the adjustable wall mount shown in FIG. 1;
 FIG. 4 is a rear elevational view of the adjustable wall mount shown in FIG. 1;
 FIG. 5 is a front elevational view of the adjustable wall mount shown in FIG. 1;
 FIG. 6 is a top plan view of the adjustable wall mount shown in FIG. 1;
 FIG. 7 is a bottom plan view of the adjustable wall mount shown in FIG. 1.
 FIG. 8 is a perspective view of the adjustable wall mount shown in FIG. 1 containing an object mounted to the mount in phantom; and,
 FIG. 9 is an exploded perspective view of the adjustable wall mount shown in FIG. 1.
 The broken lines in FIG. 8, of the adjustable wall mount, illustrate unclaimed environment which form no part of the claimed design.

1 Claim, 9 Drawing Sheets



(56)

References Cited

U.S. PATENT DOCUMENTS

7,312,396 B1 * 12/2007 Gorman H02G 3/125
174/480
D568,727 S * 5/2008 Walker D8/380
7,918,426 B2 * 4/2011 Short F16M 11/105
248/225.11
8,141,836 B2 * 3/2012 Saez F16M 11/041
248/295.11
D710,340 S 8/2014 Wengreen et al.
D734,305 S 7/2015 Wengreen
D735,174 S 7/2015 Wengreen
D764,256 S 8/2016 DeDios-Shirley et al.
D767,973 S 10/2016 Dedios-Shirley et al.
2005/0023419 A1 2/2005 Frankel
2007/0235609 A1 10/2007 Chun et al.
2012/0312950 A1 12/2012 Sears
2015/0264823 A1 * 9/2015 Shirley F16M 13/02
248/287.1

OTHER PUBLICATIONS

Relina Belen Dedios-Shirley, et al, Design U.S. Appl. No.
29/530,129, filed Jun. 12, 2015, issued Oct. 4, 2016.

* cited by examiner

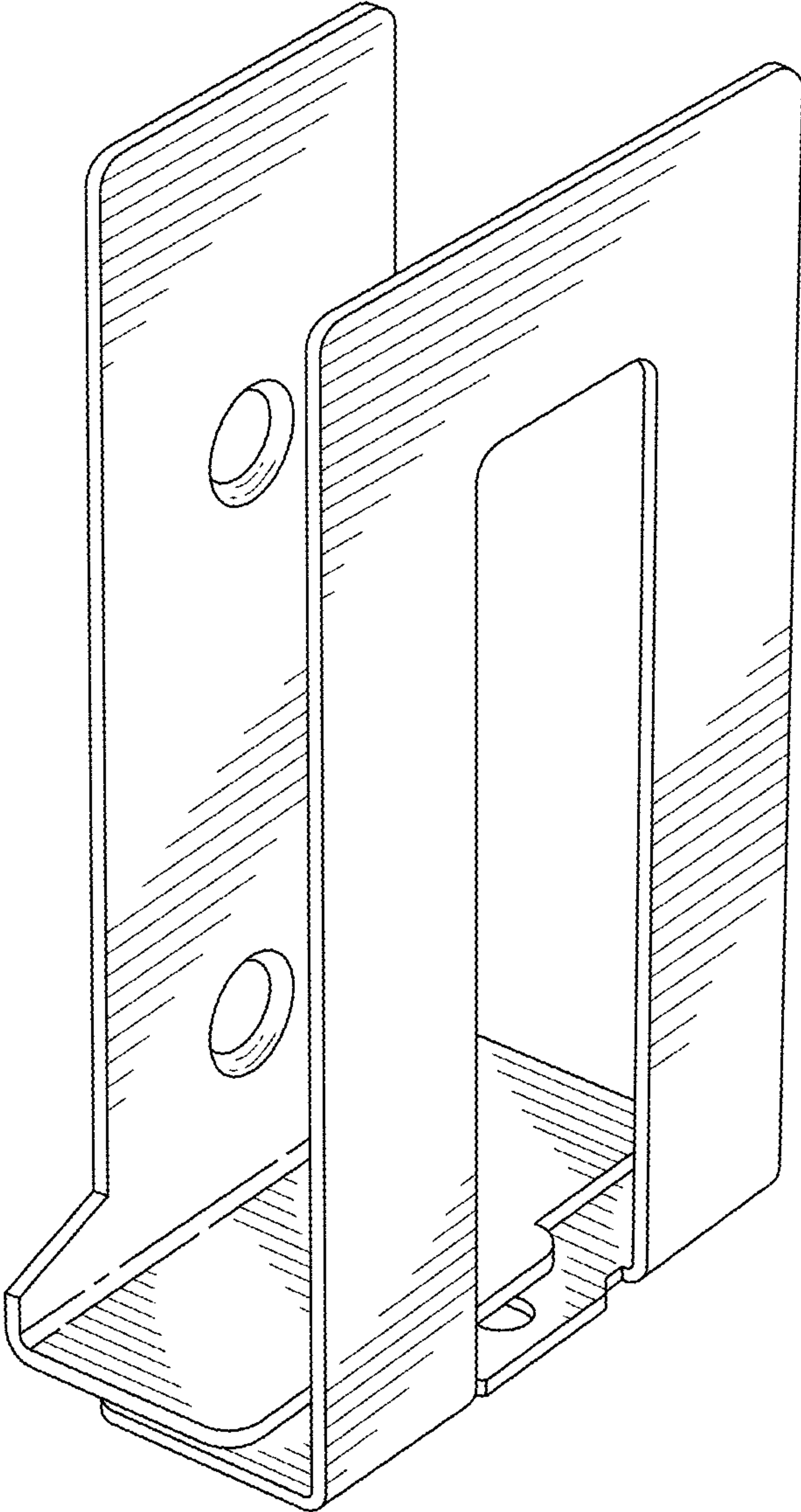


FIG. 1

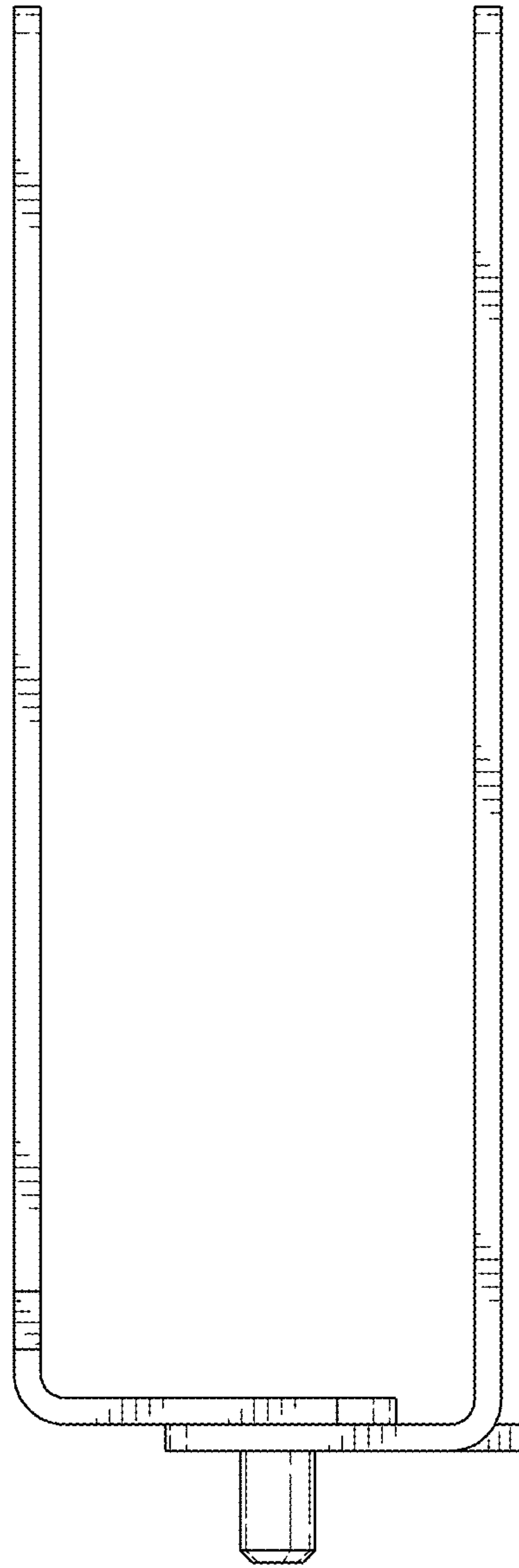


FIG. 2

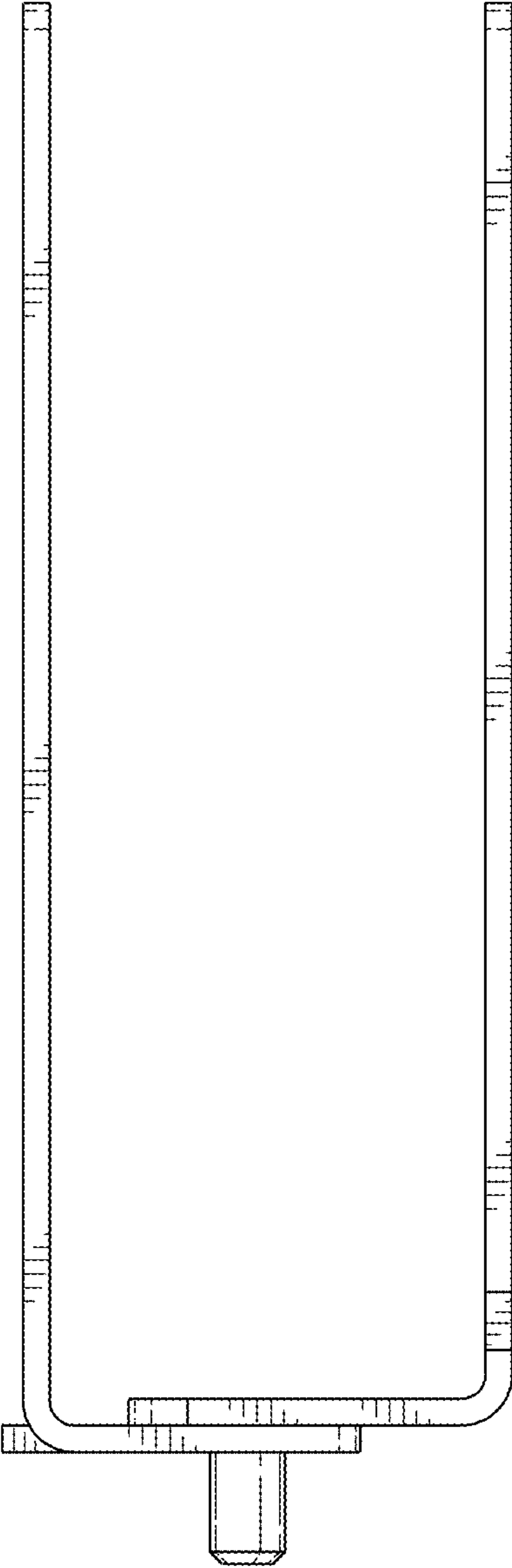


FIG. 3

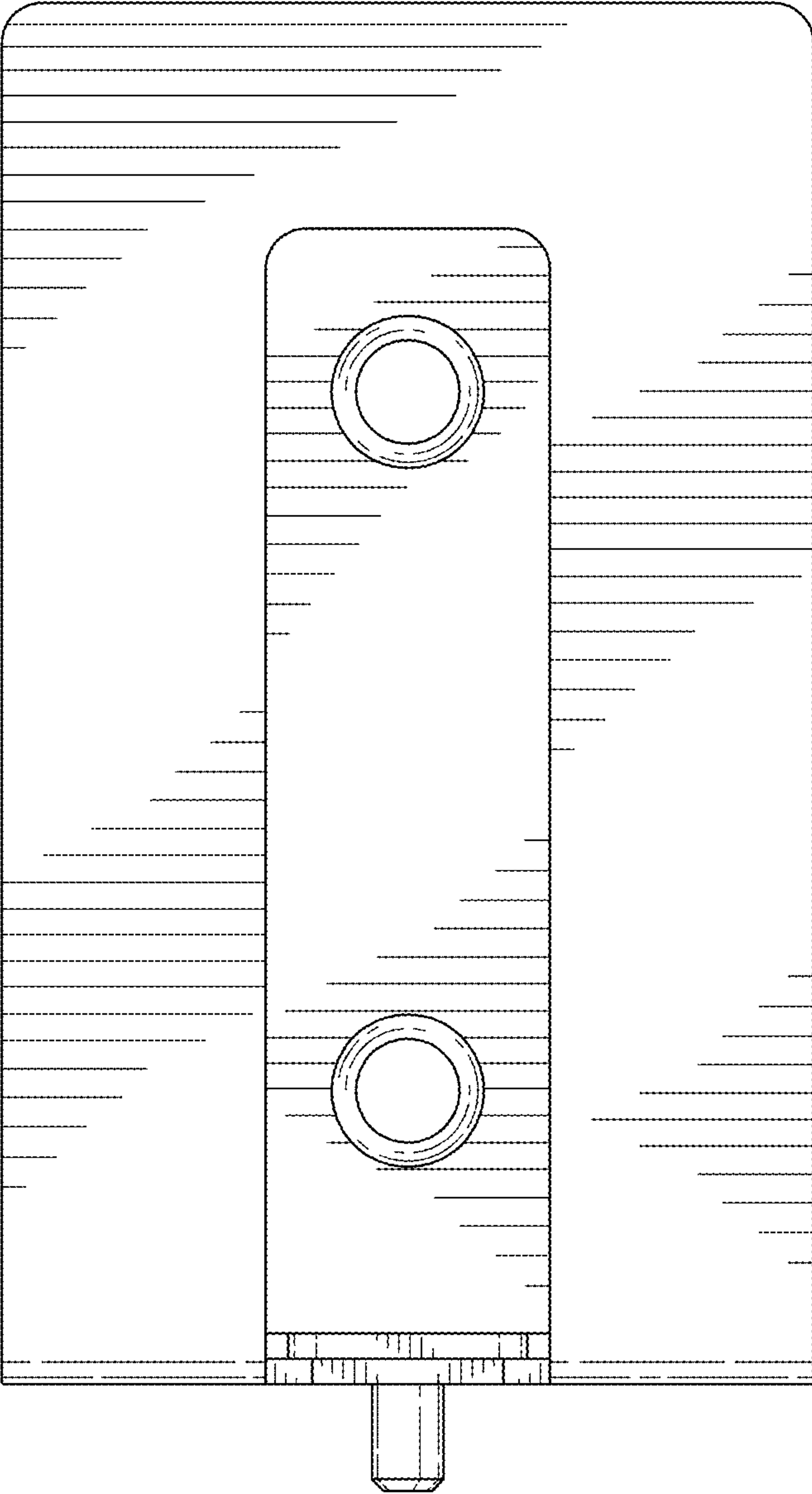


FIG. 4

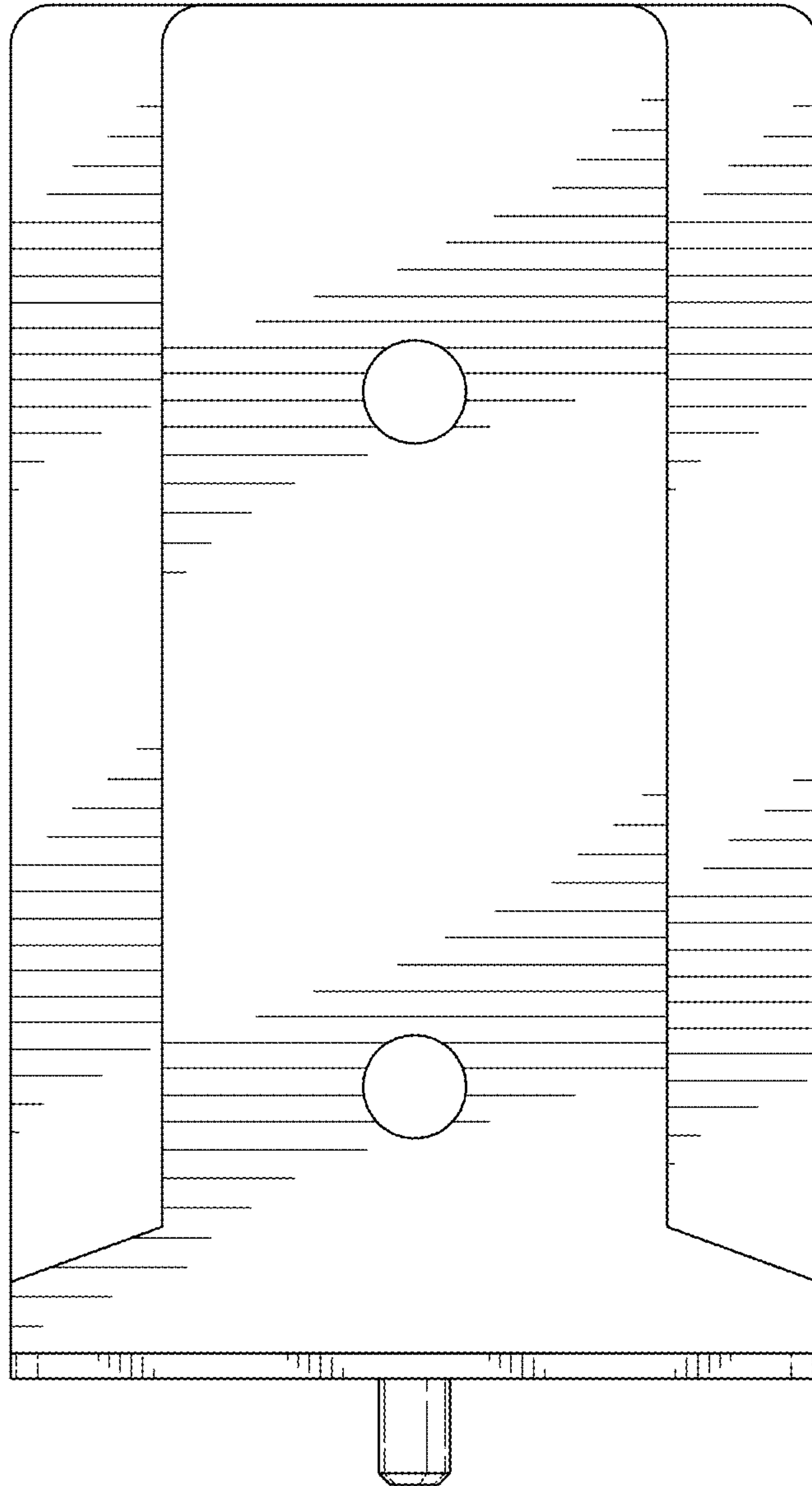


FIG. 5

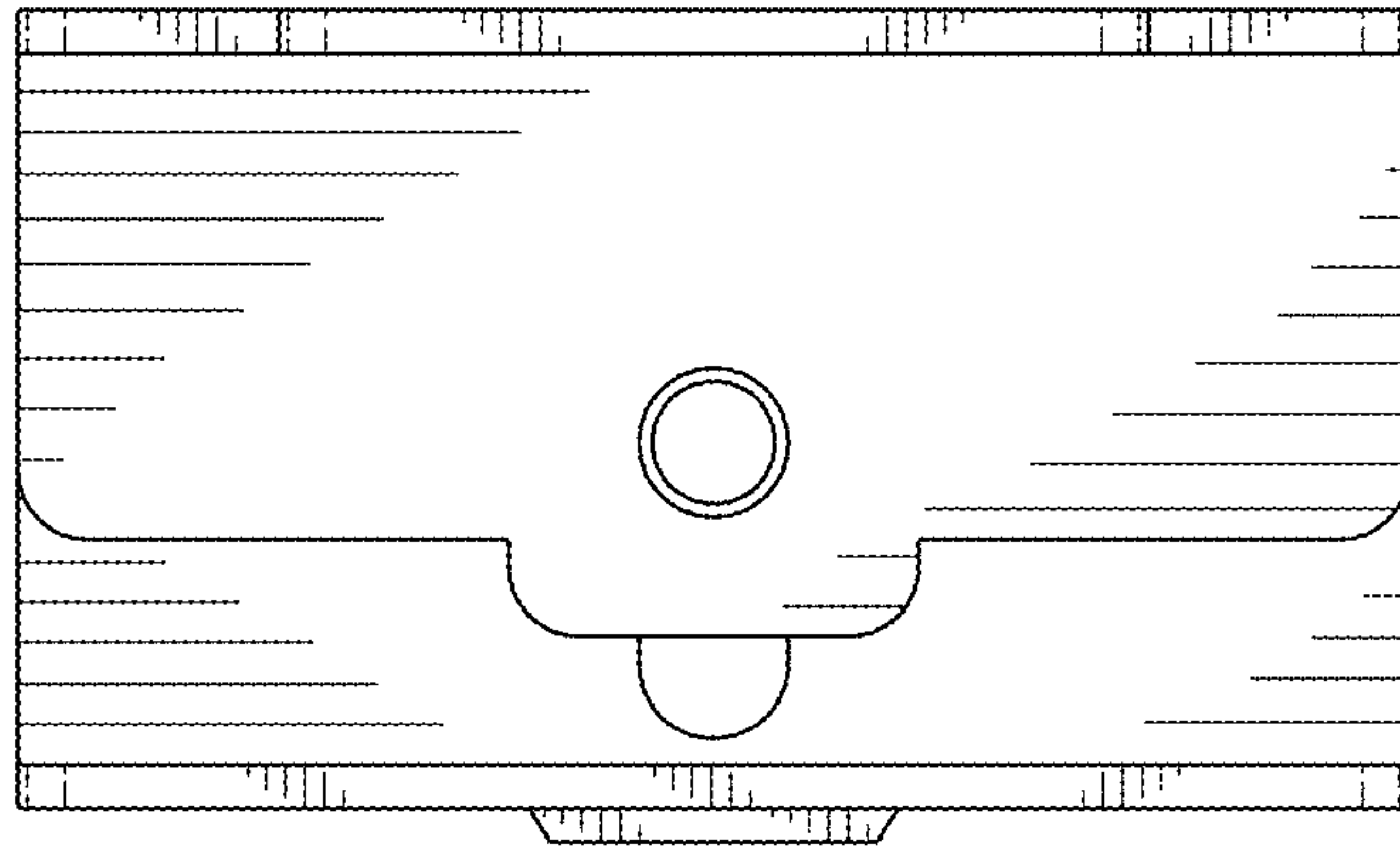


FIG. 6

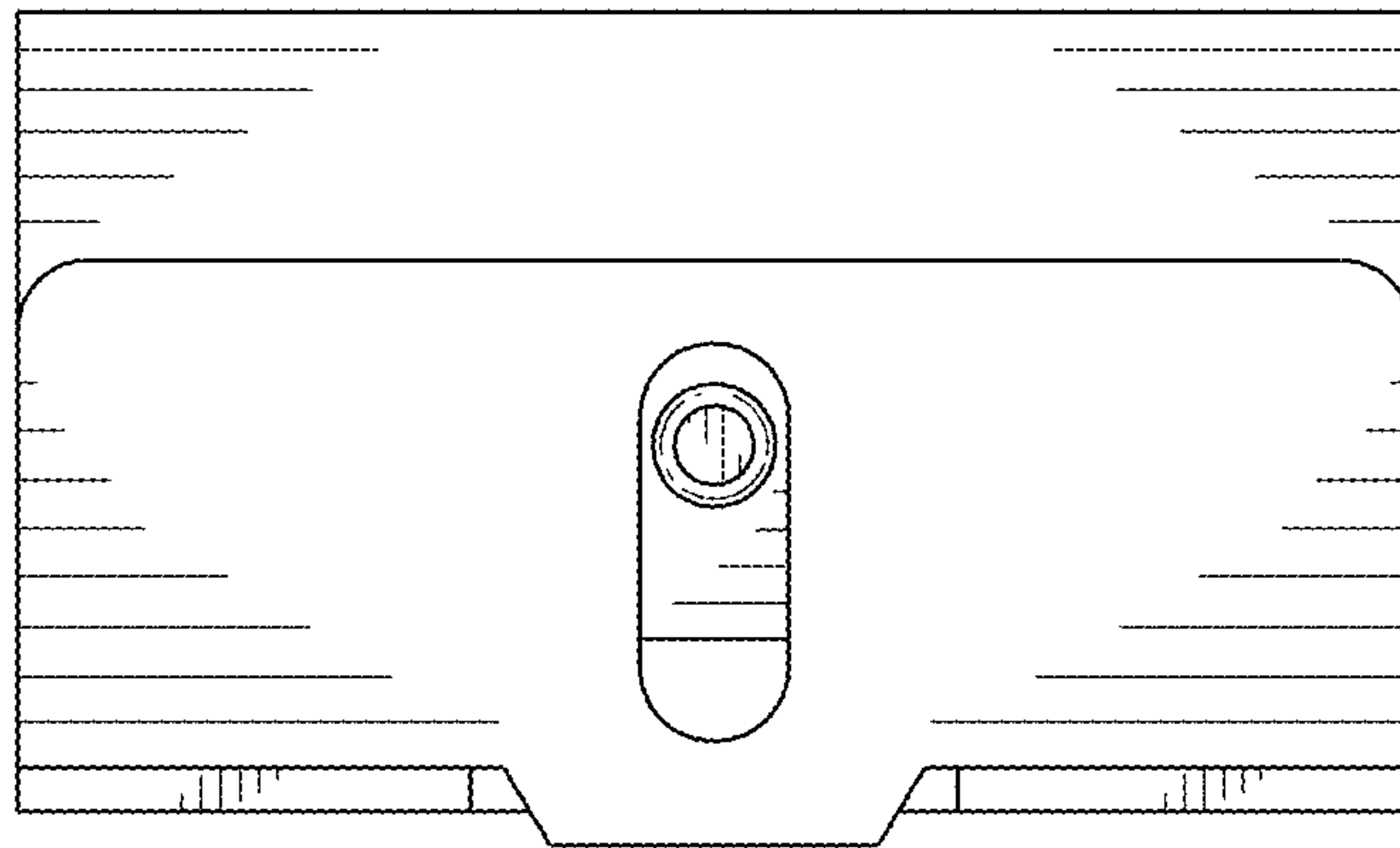


FIG. 7

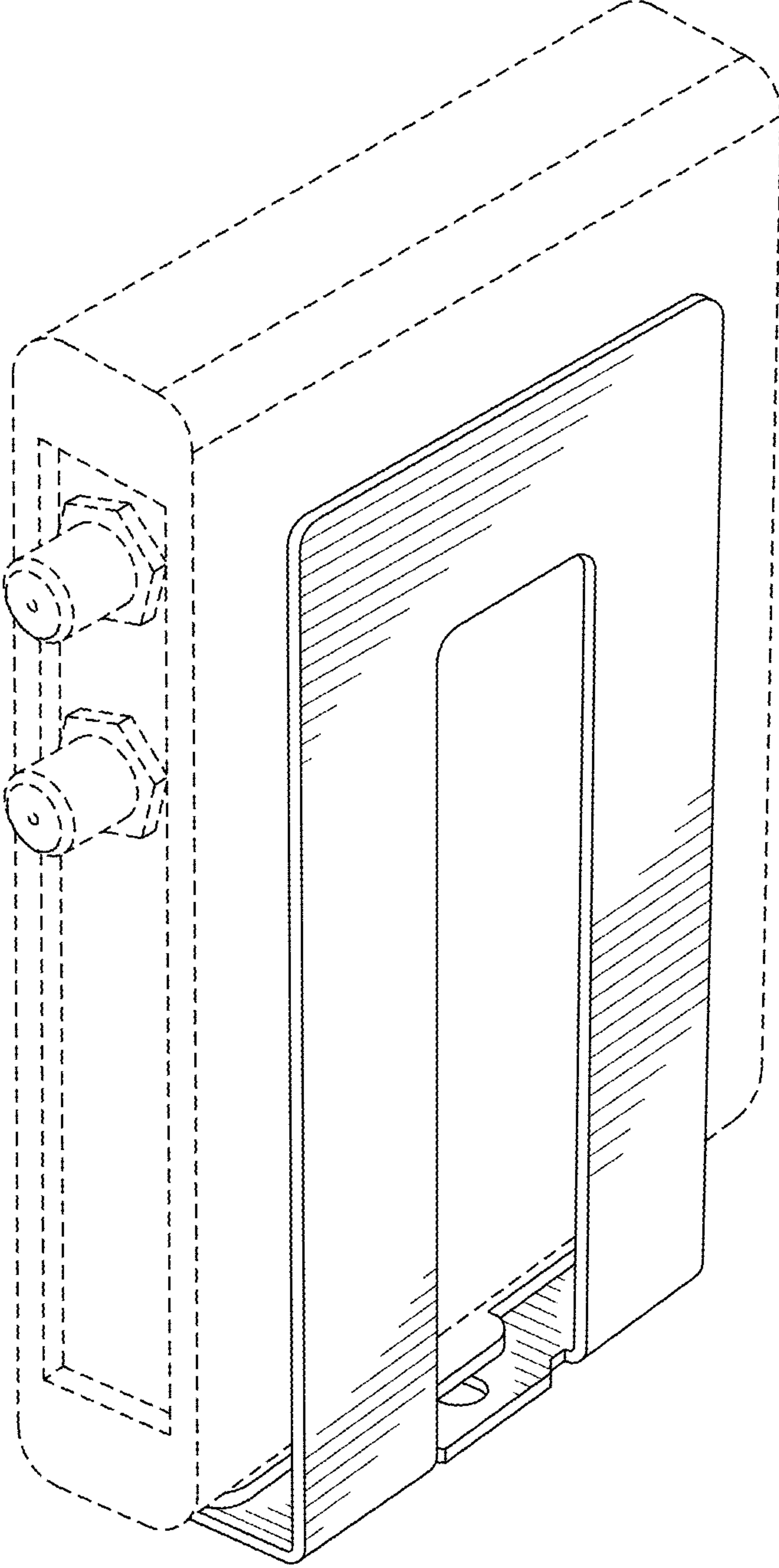


FIG. 8

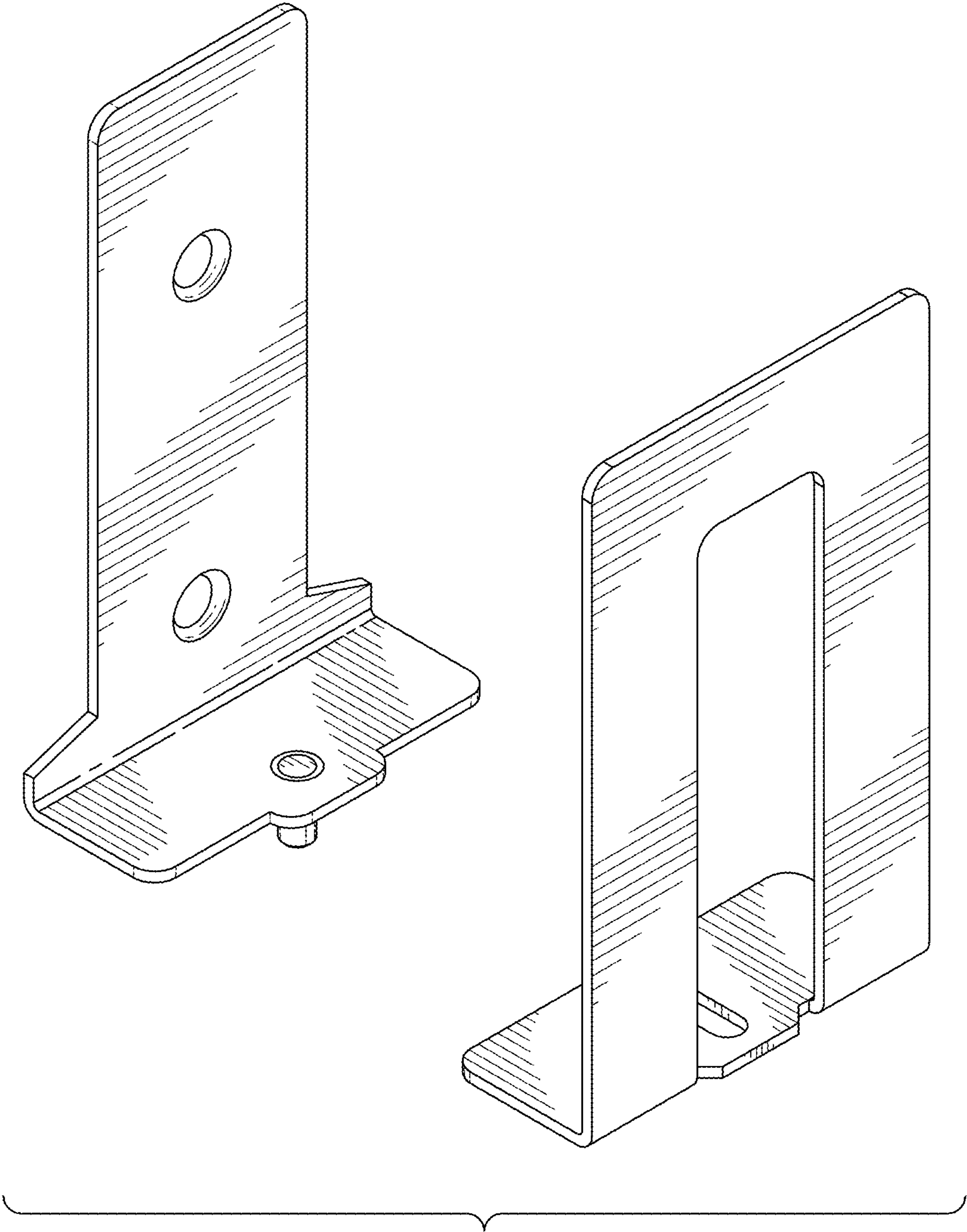


FIG. 9