



US00D813019S

(12) **United States Design Patent**
Wendling

(10) **Patent No.:** **US D813,019 S**

(45) **Date of Patent:** **** Mar. 20, 2018**

(54) **WHEEL STOP**

CPC .. F16B 7/0466; F16B 7/04; F16L 3/00; E04B
2001/405; B60B 33/0089; B60B 33/0097
See application file for complete search history.

(71) Applicant: **Allan Wendling**, New Lothrop, MI
(US)

(56) **References Cited**

U.S. PATENT DOCUMENTS

(72) Inventor: **Allan Wendling**, New Lothrop, MI
(US)

5,210,903 A *	5/1993	Horning	B60B 33/00 16/18 R
D437,772 S *	2/2001	Erwin	D8/354
D440,483 S *	4/2001	Bushey	D8/374
D549,555 S *	8/2007	Ignagni	D8/354
D579,762 S *	11/2008	Sempliner	D8/356

(**) Term: **15 Years**

* cited by examiner

(21) Appl. No.: **29/573,039**

Primary Examiner — Rosemary K Tarcza

Assistant Examiner — Christy Nemeth

(22) Filed: **Aug. 2, 2016**

(74) *Attorney, Agent, or Firm* — Dinsmore & Shohl LLP

(51) **LOC (11) Cl.** **08-05**

(57) **CLAIM**

(52) **U.S. Cl.**

The ornamental design for a wheel stop, as shown and described.

USPC **D8/374**

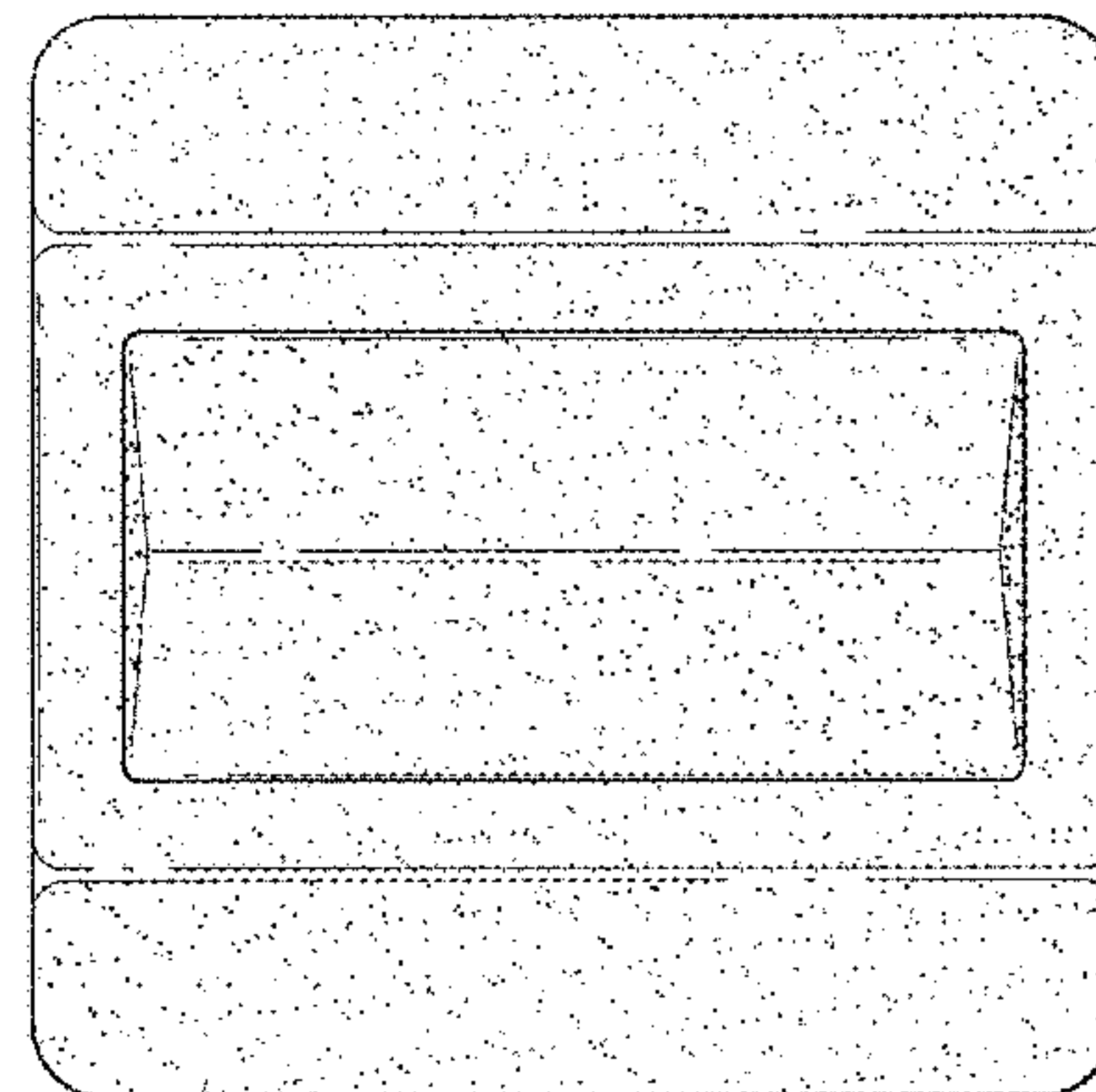
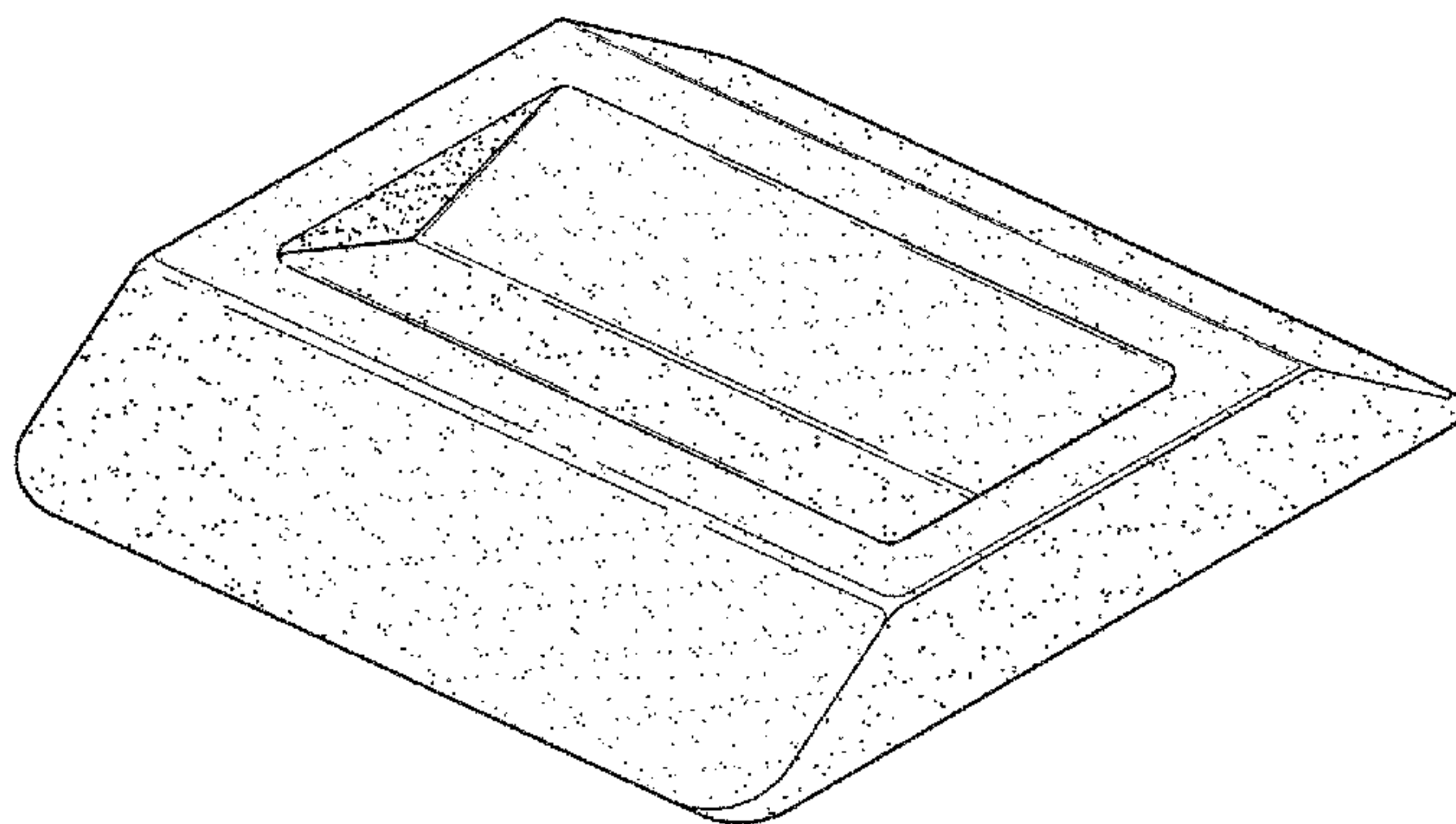
DESCRIPTION

(58) **Field of Classification Search**

USPC D8/349–356, 358, 359, 363, 365, 366,
D8/371, 373, 374, 375, 380, 381, 382,
D8/387, 391, 393, 394, 396, 370;
D14/239, 126, 451

FIG. 1 is a perspective view of a wheel stop of my design;
FIG. 2 is a top plan view thereof;
FIG. 3 is a side view thereof, the opposite side being a mirror
image thereof; and,
FIG. 4 is a front elevation view thereof, the rear elevation
view being a mirror image thereof.

1 Claim, 1 Drawing Sheet



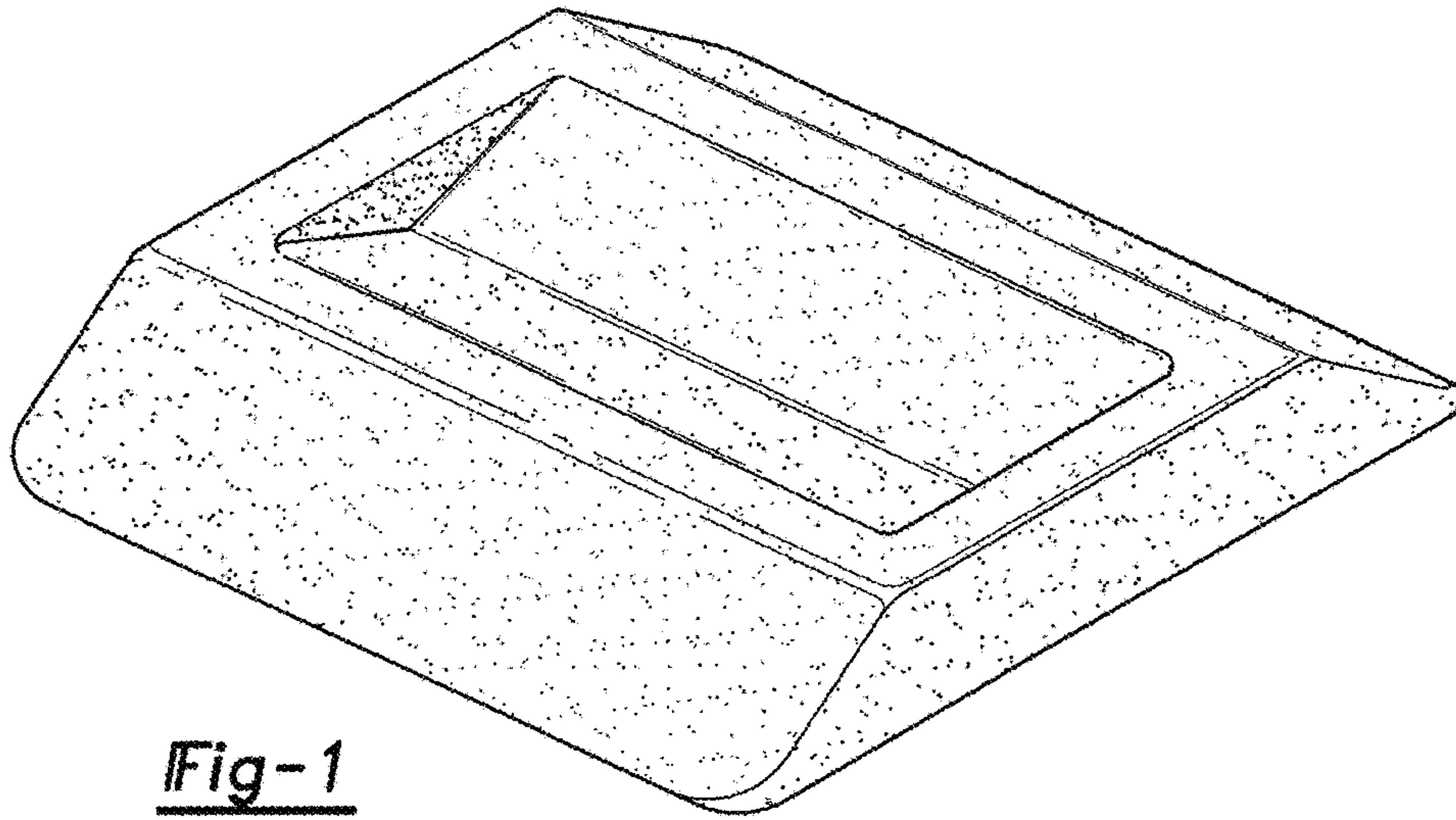


Fig-1

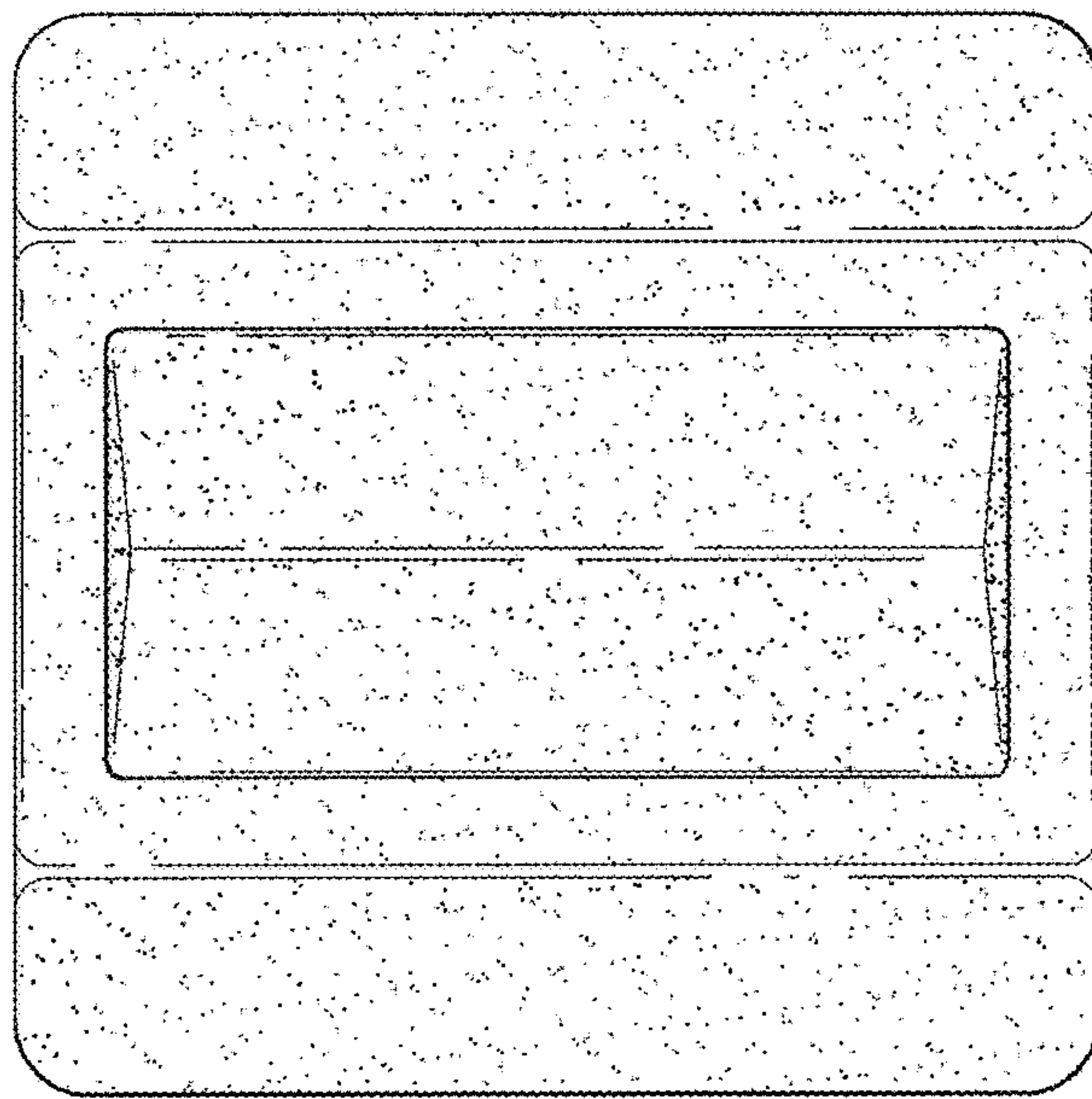


Fig-2



Fig-3

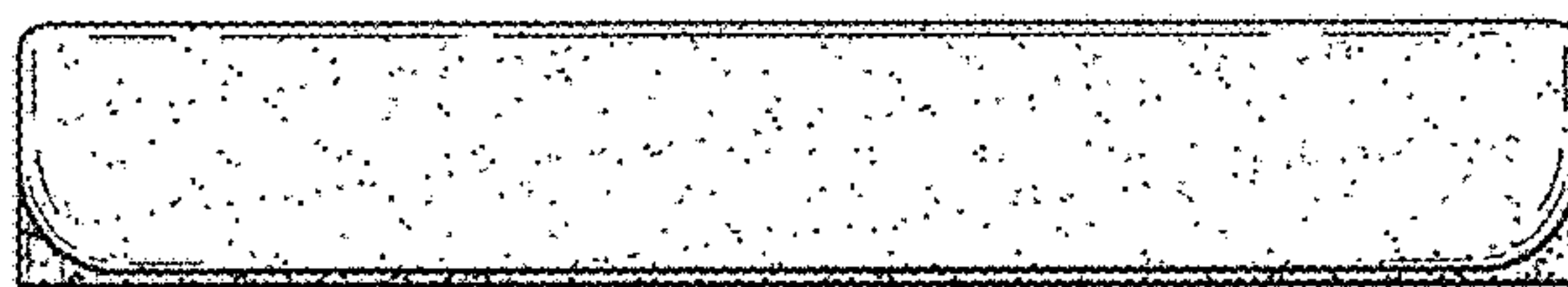


Fig-4