



US00D813018S

(12) **United States Design Patent** (10) **Patent No.:** **US D813,018 S**  
**Ryu et al.** (45) **Date of Patent:** **\*\* Mar. 20, 2018**

(54) **BRACKET FOR TV RECEIVER**  
(71) Applicant: **LG ELECTRONICS INC.**, Seoul (KR)  
(72) Inventors: **Junghan Ryu**, Seoul (KR); **Sehdong Yoo**, Seoul (KR); **Bodeung Hwang**, Seoul (KR); **Yuonui Chong**, Seoul (KR); **Yongseok Kim**, Seoul (KR); **Seonkyu Kim**, Seoul (KR)  
(73) Assignee: **LG Electronics Inc.**, Seoul (KR)  
(\*\*) Term: **15 Years**  
(21) Appl. No.: **35/502,197**  
(22) Filed: **Jun. 24, 2016**  
(80) **Hague Agreement Data**  
Int. Filing Date: **Jun. 24, 2016**  
Int. Reg. No.: **DM/093128**  
Int. Reg. Date: **Jun. 24, 2016**  
Int. Reg. Pub. Date: **Dec. 30, 2016**  
(30) **Foreign Application Priority Data**  
Dec. 28, 2015 (KR) ..... 30-2015-0066593  
(51) **LOC (11) Cl.** ..... **08-05**  
(52) **U.S. Cl.**  
USPC ..... **D8/367**  
(58) **Field of Classification Search**  
USPC ..... D8/44, 367, 383, 396; D14/375, 447, D14/451; D6/309  
CPC ..... F16M 11/041  
See application file for complete search history.

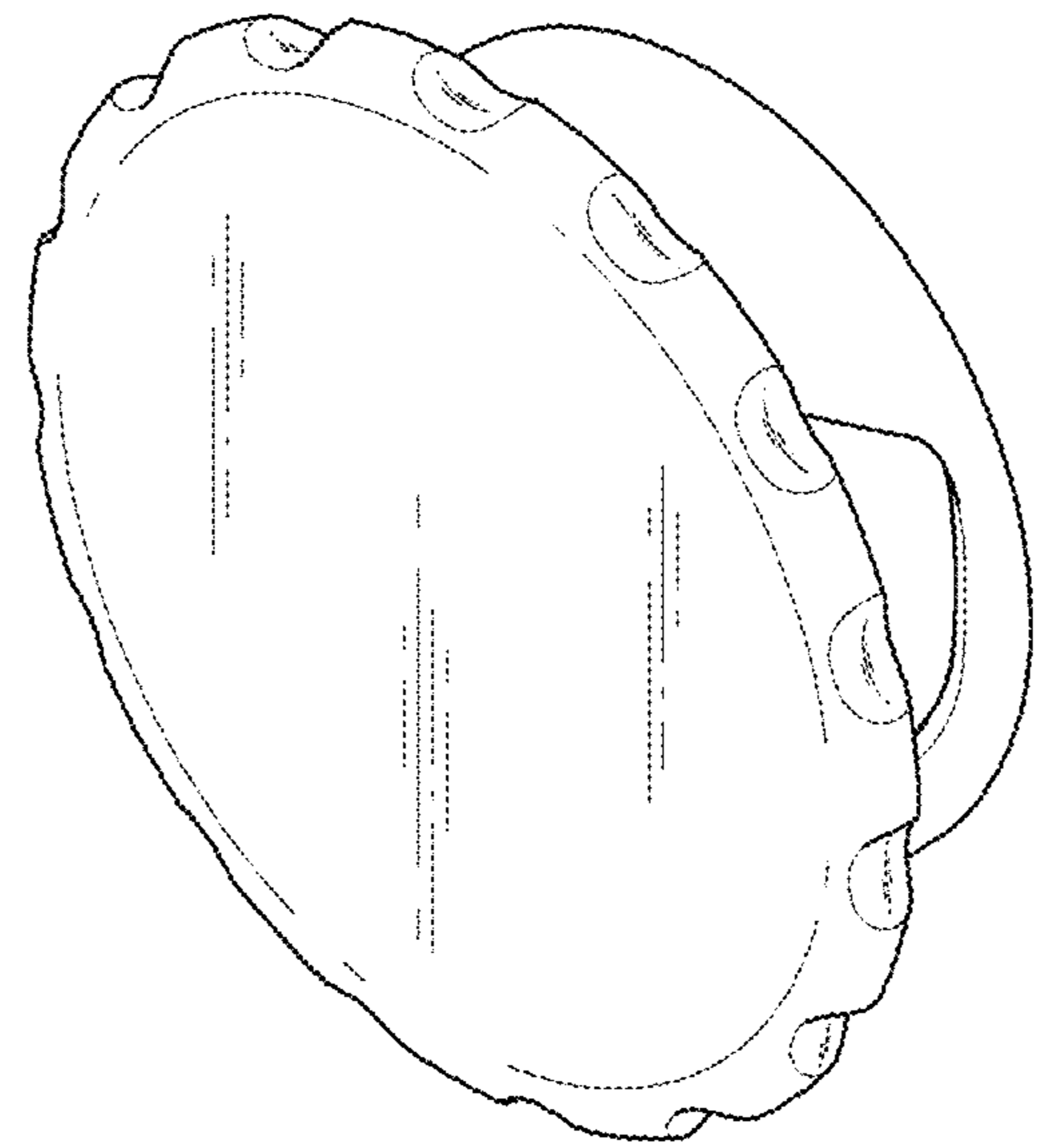
(56) **References Cited**  
U.S. PATENT DOCUMENTS  
D377,142 S \* 1/1997 Yang ..... D8/356  
D602,345 S \* 10/2009 Veilleux ..... D8/367  
D719,961 S \* 12/2014 Xiang ..... D14/447  
D758,837 S \* 6/2016 Symons ..... D8/383  
D776,518 S \* 1/2017 Bainbridge ..... D8/356  
D803,647 S \* 11/2017 Hansen ..... D8/44

\* cited by examiner  
*Primary Examiner* — Barbara Fox  
*Assistant Examiner* — Eliza Bennett-Hattan  
(74) *Attorney, Agent, or Firm* — Birch, Stewart, Kolasch & Birch, LLP

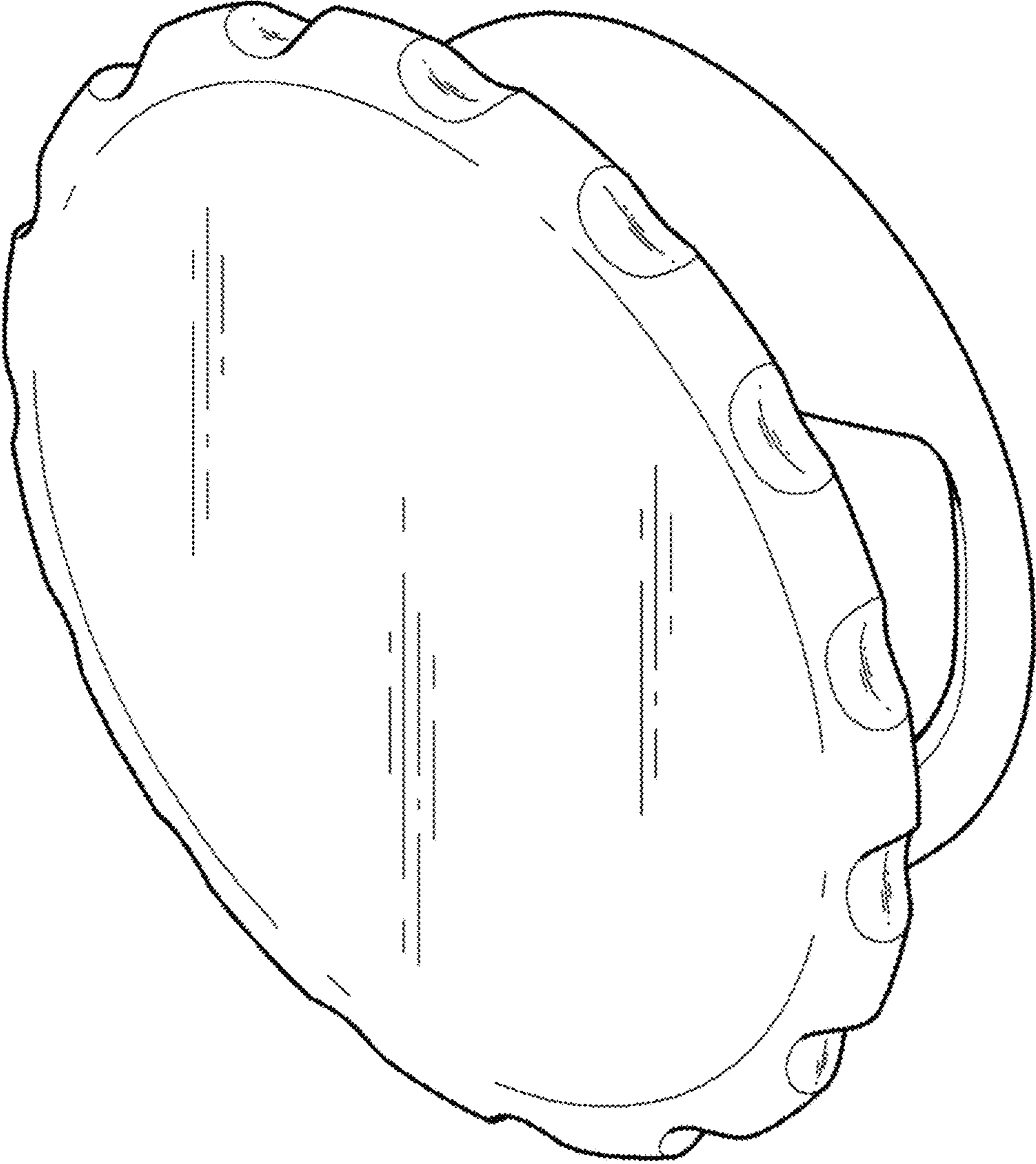
(57) **CLAIM**  
The ornamental design for a bracket for TV receiver, as shown and described.

**DESCRIPTION**  
1. Bracket for TV receiver  
1.1 : Perspective  
1.2 : Rear perspective view  
1.3 : Front  
1.4 : Back  
1.5 : Left  
1.6 : Right  
1.7 : Top  
1.8 : Bottom  
1.9 : is an exploded view of the bracket for TV receiver.  
1.10 : is a rear perspective view of the bracket for TV receiver in a position of use.  
The broken lines in Figs. 1.9 and 1.10 depict environmental subject matter only and form no part of the claimed design.

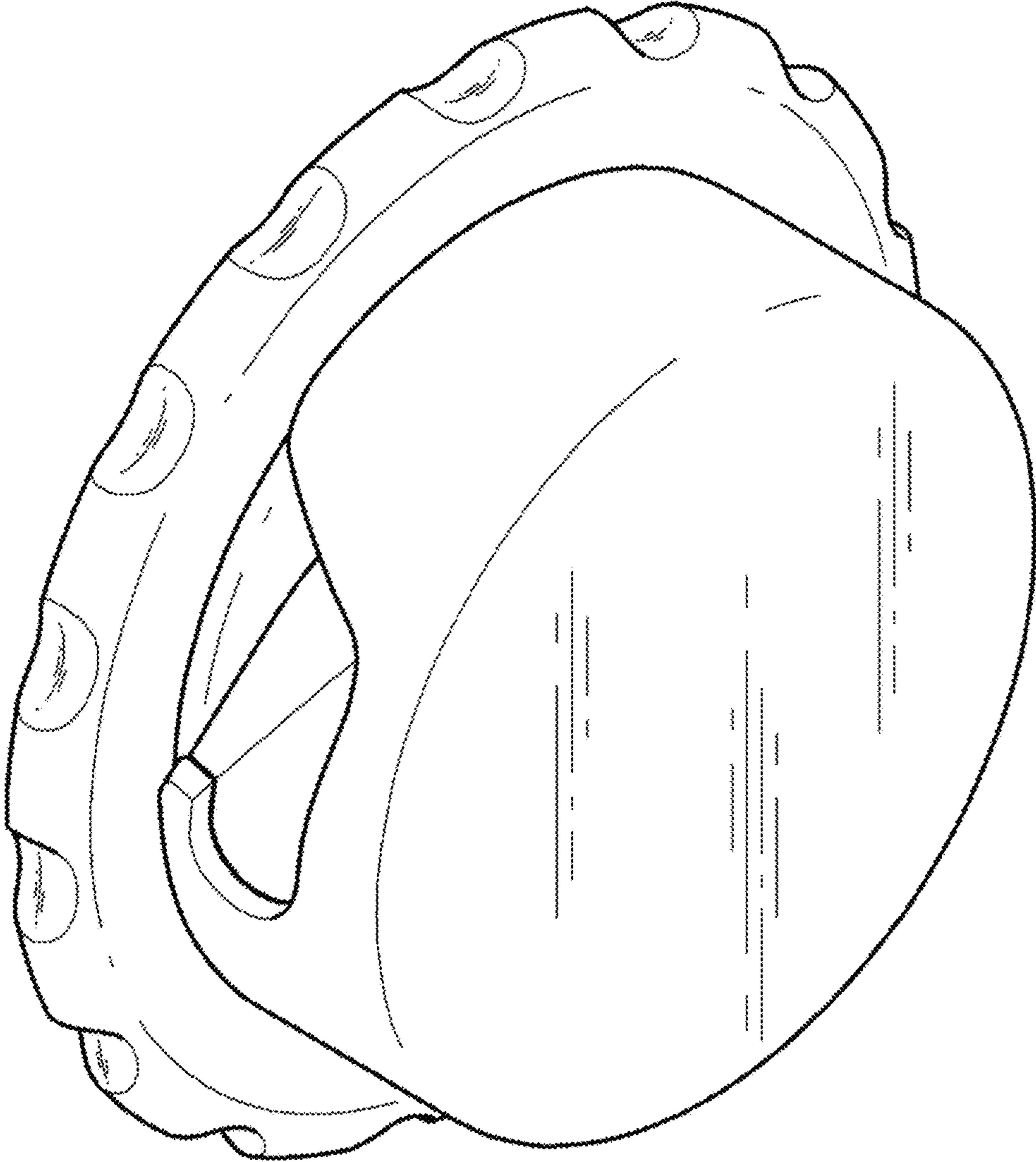
**1 Claim, 10 Drawing Sheets**



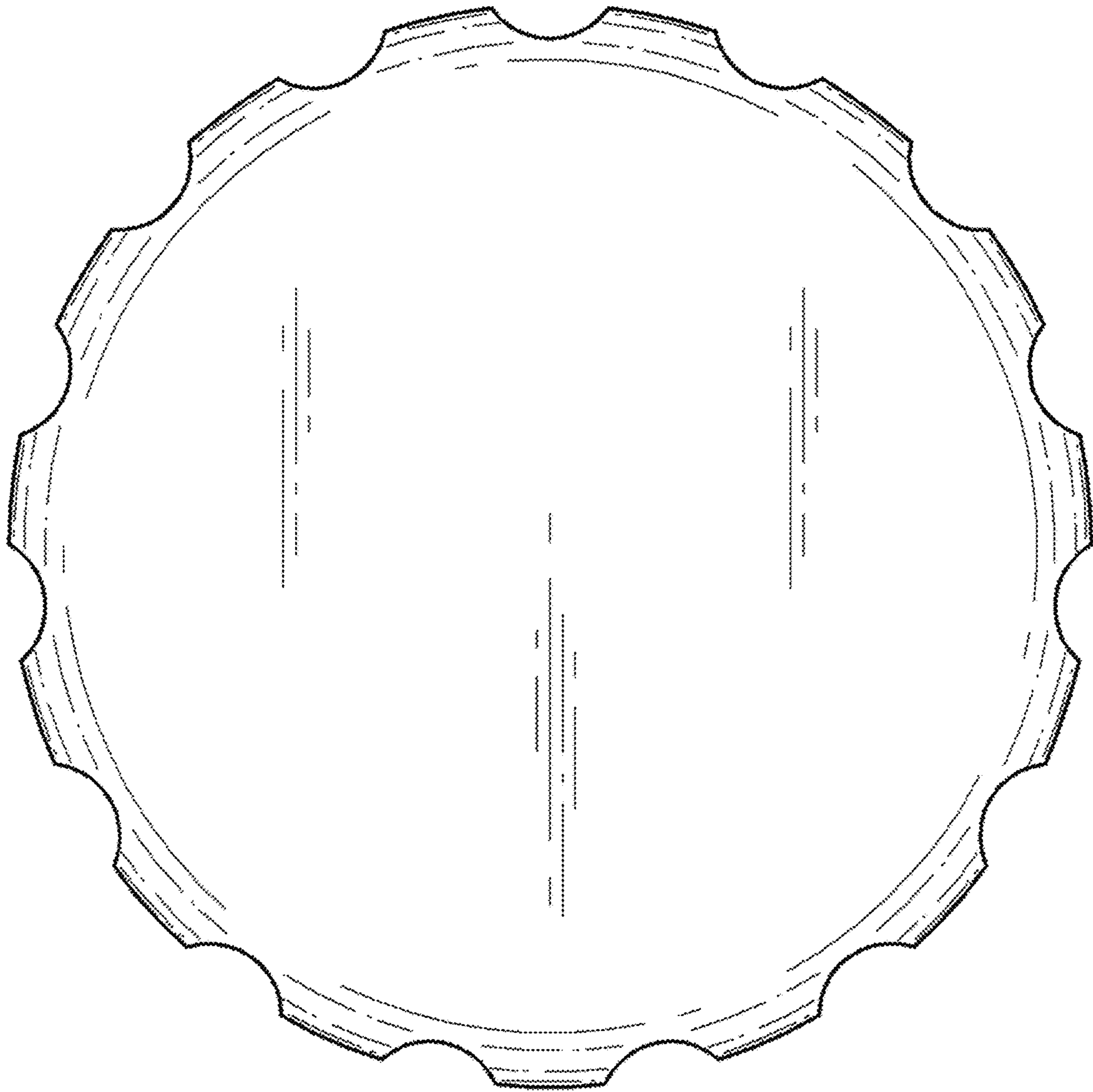
1.1



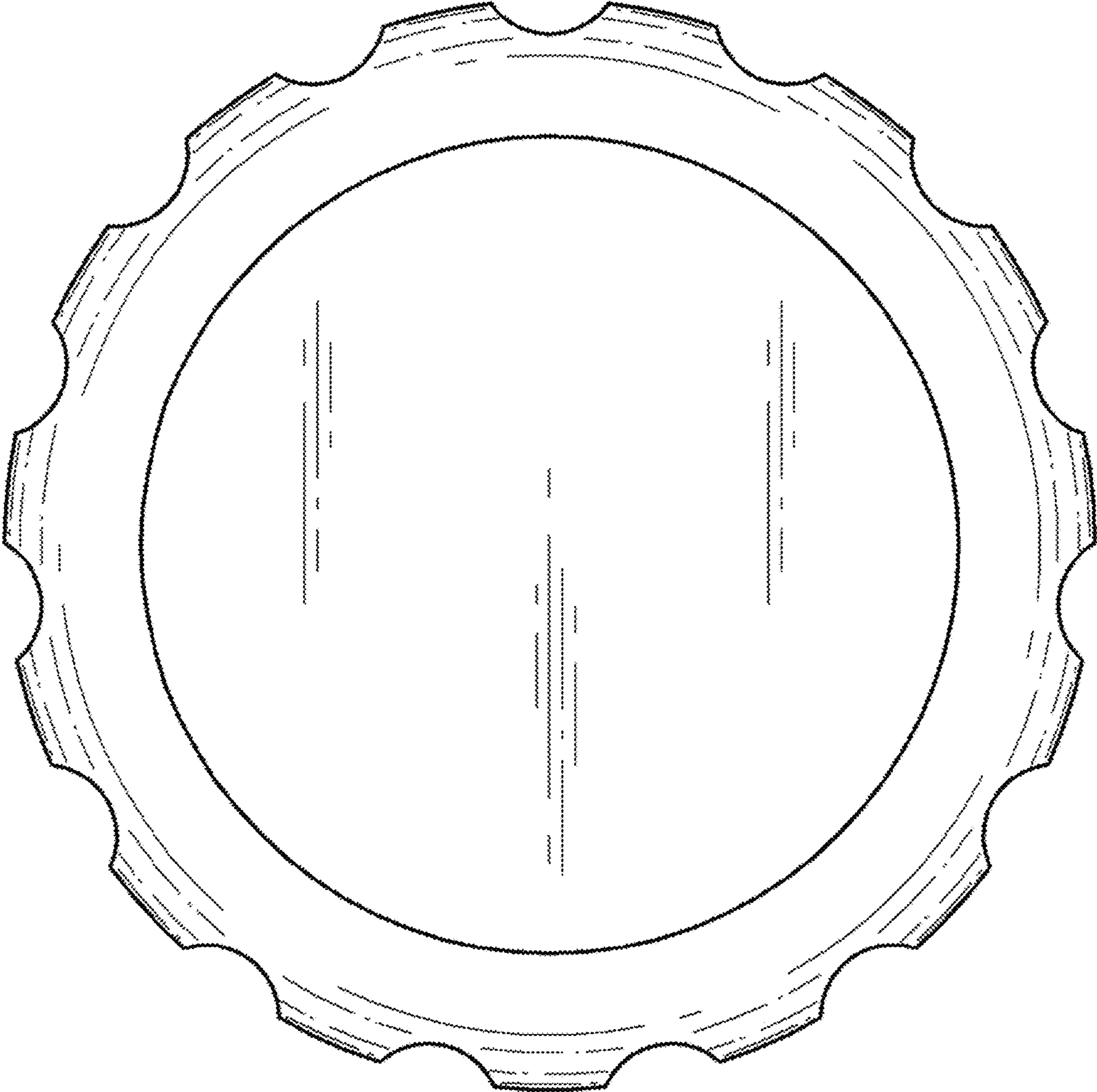
1.2



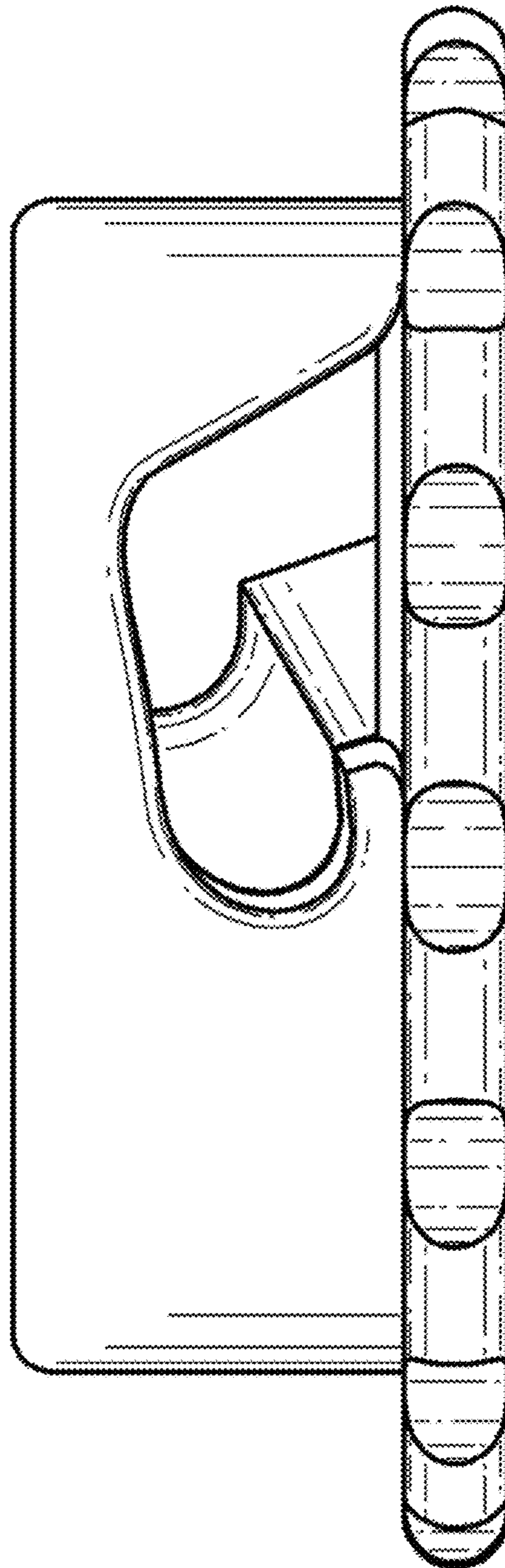
1.3



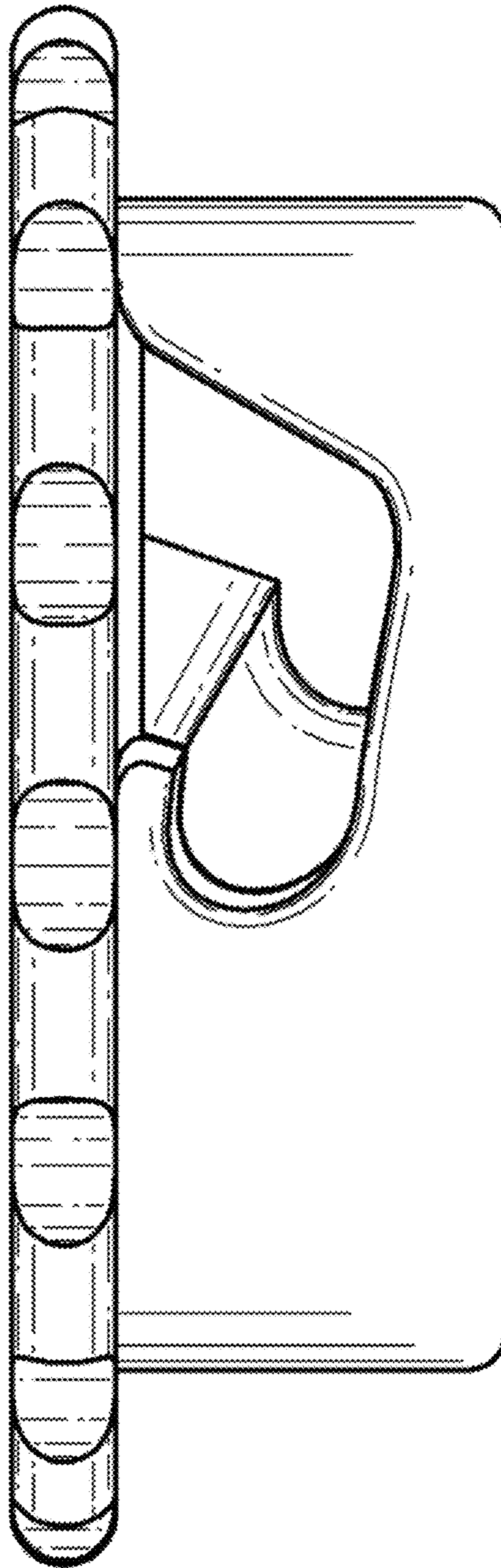
1.4



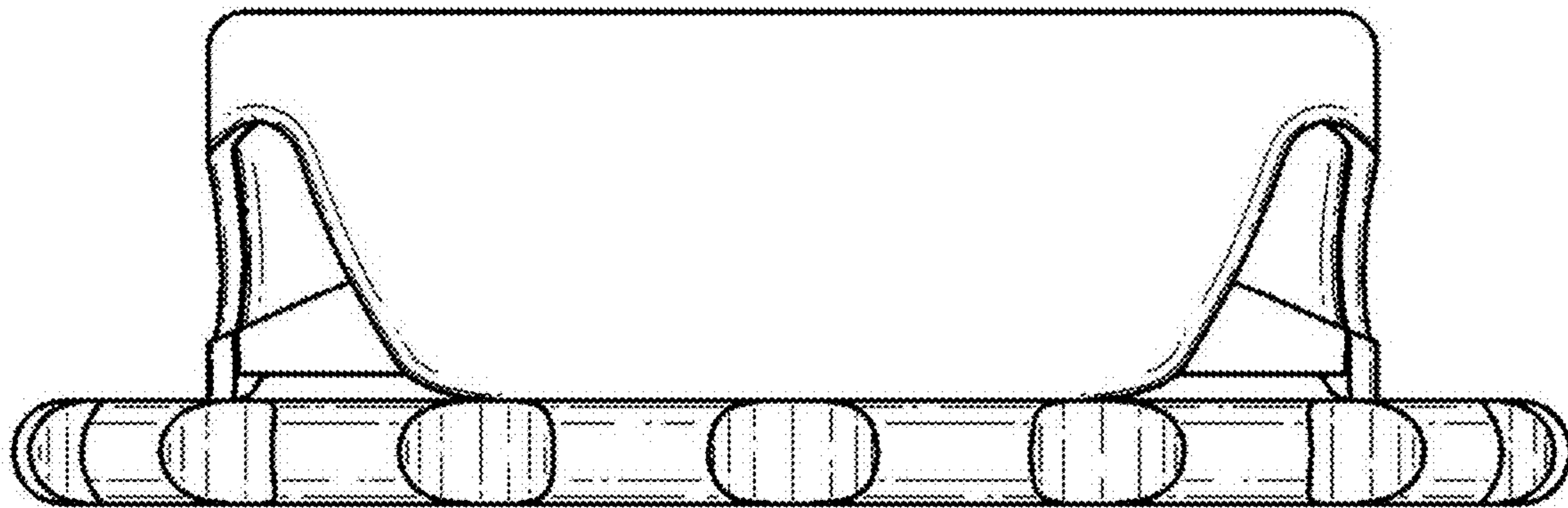
1.5



1.6

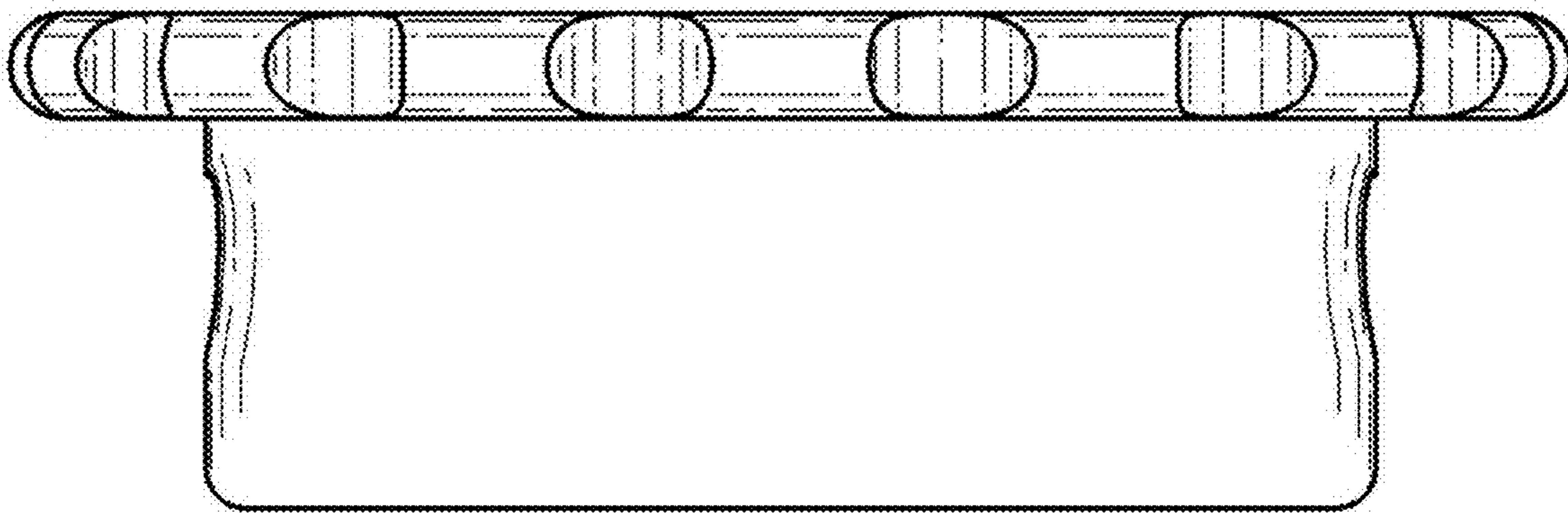


1.7

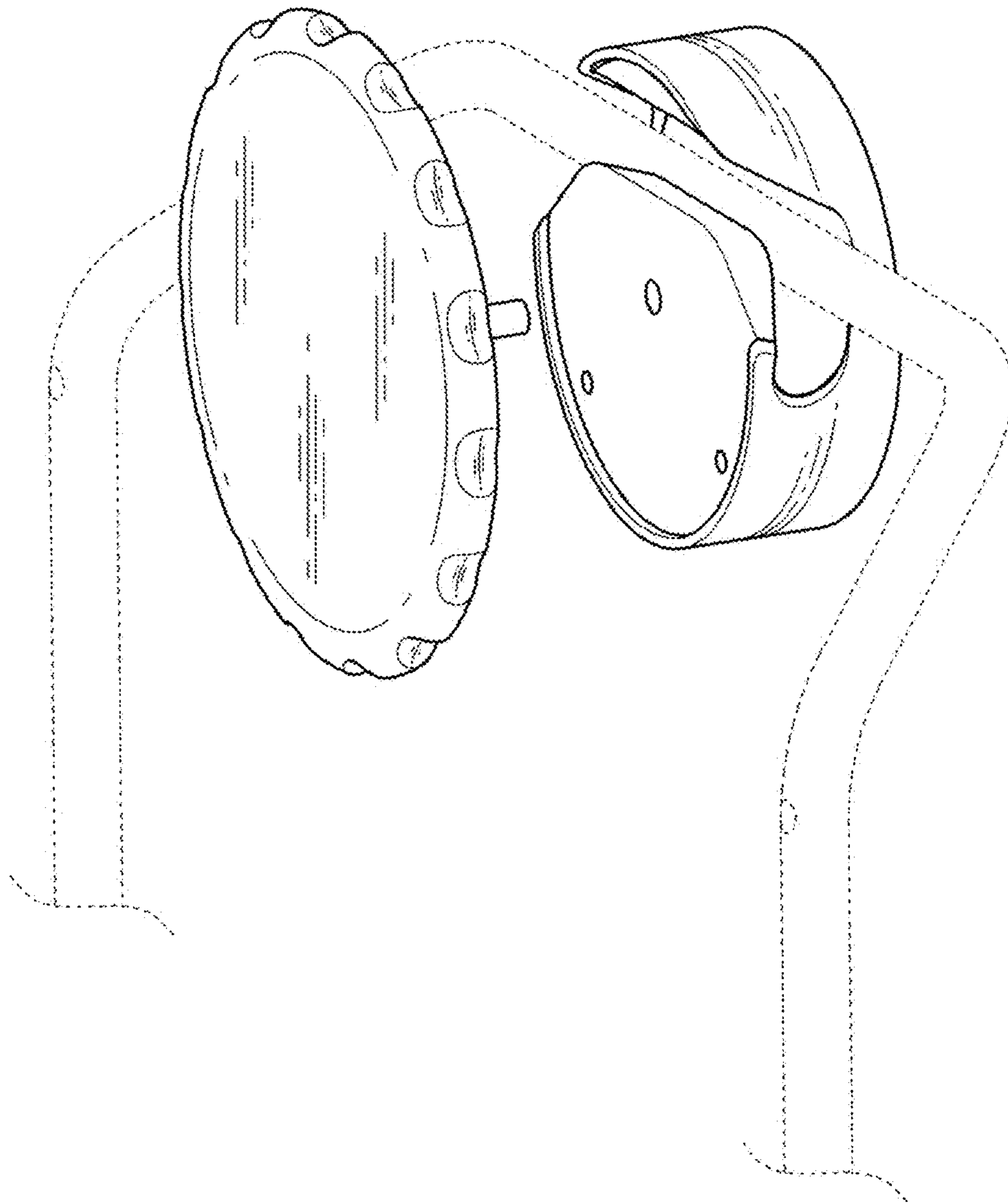




1.8



1.9



1.10

