



US00D813017S

(12) **United States Design Patent**
Wang et al.

(10) **Patent No.: US D813,017 S**
(45) **Date of Patent: ** *Mar. 20, 2018**

(54) **HOSE REEL**

(56) **References Cited**

(71) Applicant: **INTRADIN (SHANGHAI) MACHINERY CO., LTD.**, Shanghai (CN)
(72) Inventors: **Gaofeng Wang**, Shanghai (CN); **Kuanjin Liu**, Shanghai (CN); **Biao Zhang**, Shanghai (CN); **Ping Li**, Shanghai (CN); **Xuan Guo**, Shanghai (CN)

U.S. PATENT DOCUMENTS

D404,286	S	*	1/1999	Plantz	D8/359
D475,277	S	*	6/2003	Wu	D8/358
D491,444	S	*	6/2004	Nicholls	D8/358
D496,253	S	*	9/2004	Kovacik	D8/358
6,889,701	B2	*	5/2005	Kovacik	B65H 75/38 137/15.18
D511,294	S	*	11/2005	Kovacik	D8/358
D624,020	S	*	9/2010	Kovacik	D13/137.4
D666,080	S	*	8/2012	Boehler	D8/359

(*) Notice: This patent is subject to a terminal disclaimer.

* cited by examiner

(**) Term: **15 Years**

Primary Examiner — Robert M Spear

Assistant Examiner — Eliza Bennett-Hattan

(21) Appl. No.: **29/544,353**

(74) *Attorney, Agent, or Firm* — Wayne & Ken, LLC;
Tony Hom

(22) Filed: **Nov. 3, 2015**

(51) **LOC (11) Cl.** **08-05**

(57) **CLAIM**

(52) **U.S. Cl.**

The ornamental design for hose reel, as shown and described.

USPC **D8/359**

(58) **Field of Classification Search**

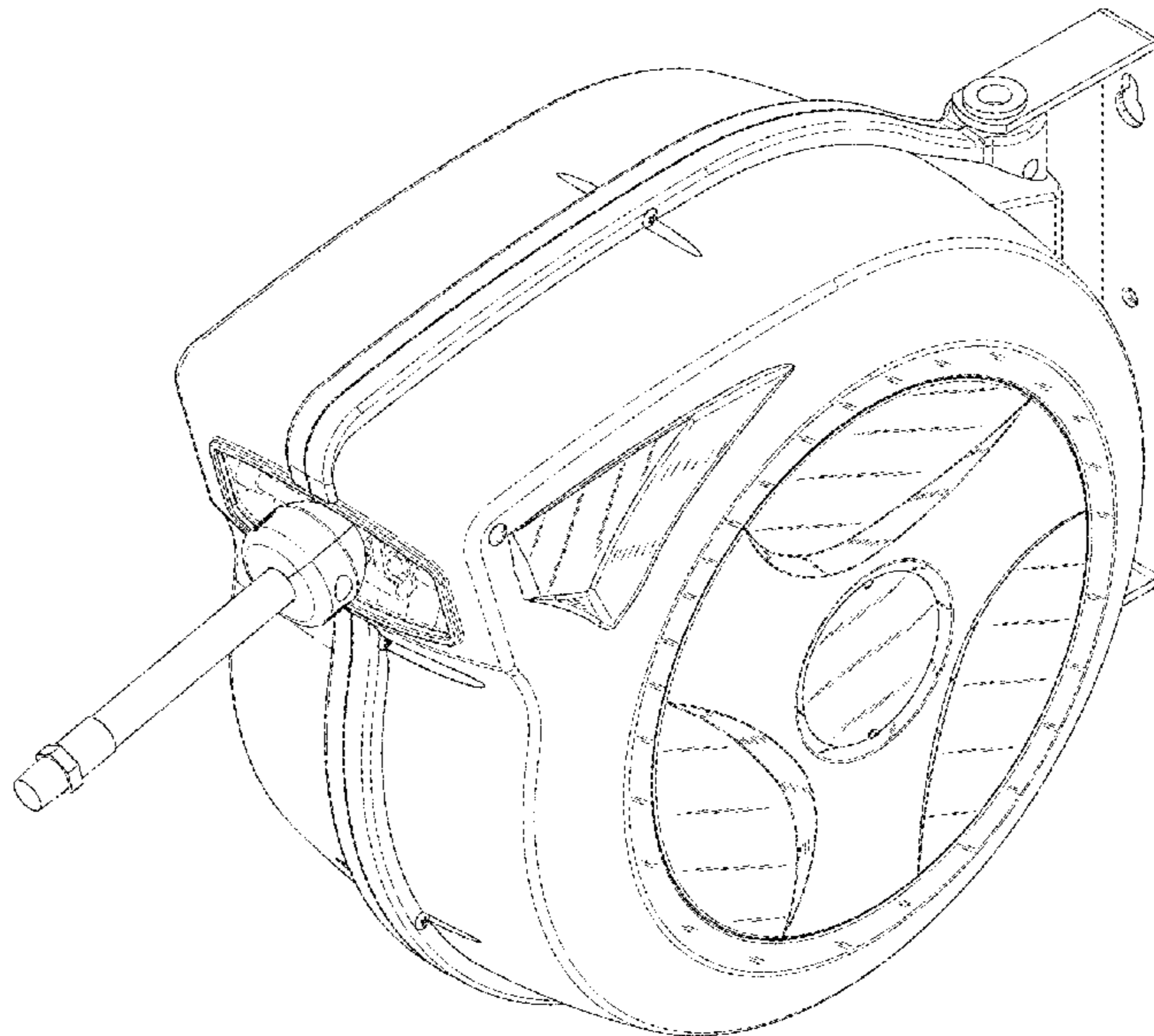
DESCRIPTION

USPC D8/374, 382, 354, 377, 358, 356, 359;
D10/72, 61, 62; D12/19, 501, 204;
D24/138; D3/318, 279, 271.12, 24;
D15/67; D14/484; D34/27, 14, 19, 24,
D34/25; D21/424, 425, 533, 534, 535,
D21/536; D25/48.4; D22/140, 137;
D13/107
CPC B65H 2701/33; B65H 75/4471; B65H
75/4478; B65H 75/40; B65H 75/38;
B65H 75/4402; B65H 2402/412; B65H
75/4494; B65H 54/585; B65H 75/265;
Y10T 137/6954; Y10T 137/6929; Y10T
403/32975; B08B 2203/0276; A62C
33/02

FIG. 1 is perspective view showing our design;
FIG. 2 is front view showing our design;
FIG. 3 is a back view showing our design;
FIG. 4 is a top view showing our design;
FIG. 5 is a bottom view showing our design;
FIG. 6 is a left view showing our design; and,
FIG. 7 is a right view showing our design.
The broken lines in the drawing depict environmental subject matter only and form no part of the claimed design.

See application file for complete search history.

1 Claim, 7 Drawing Sheets



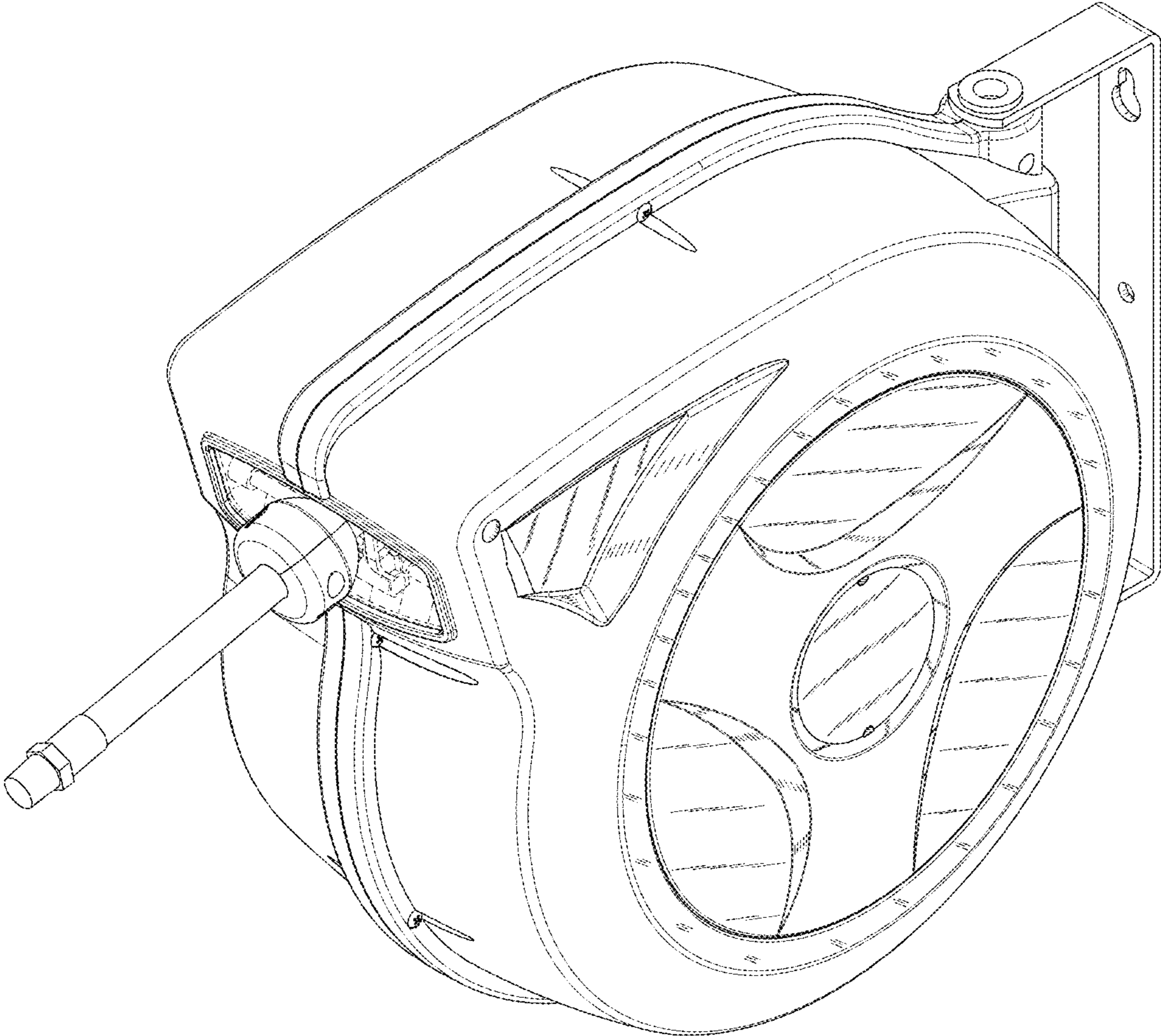


FIG .1

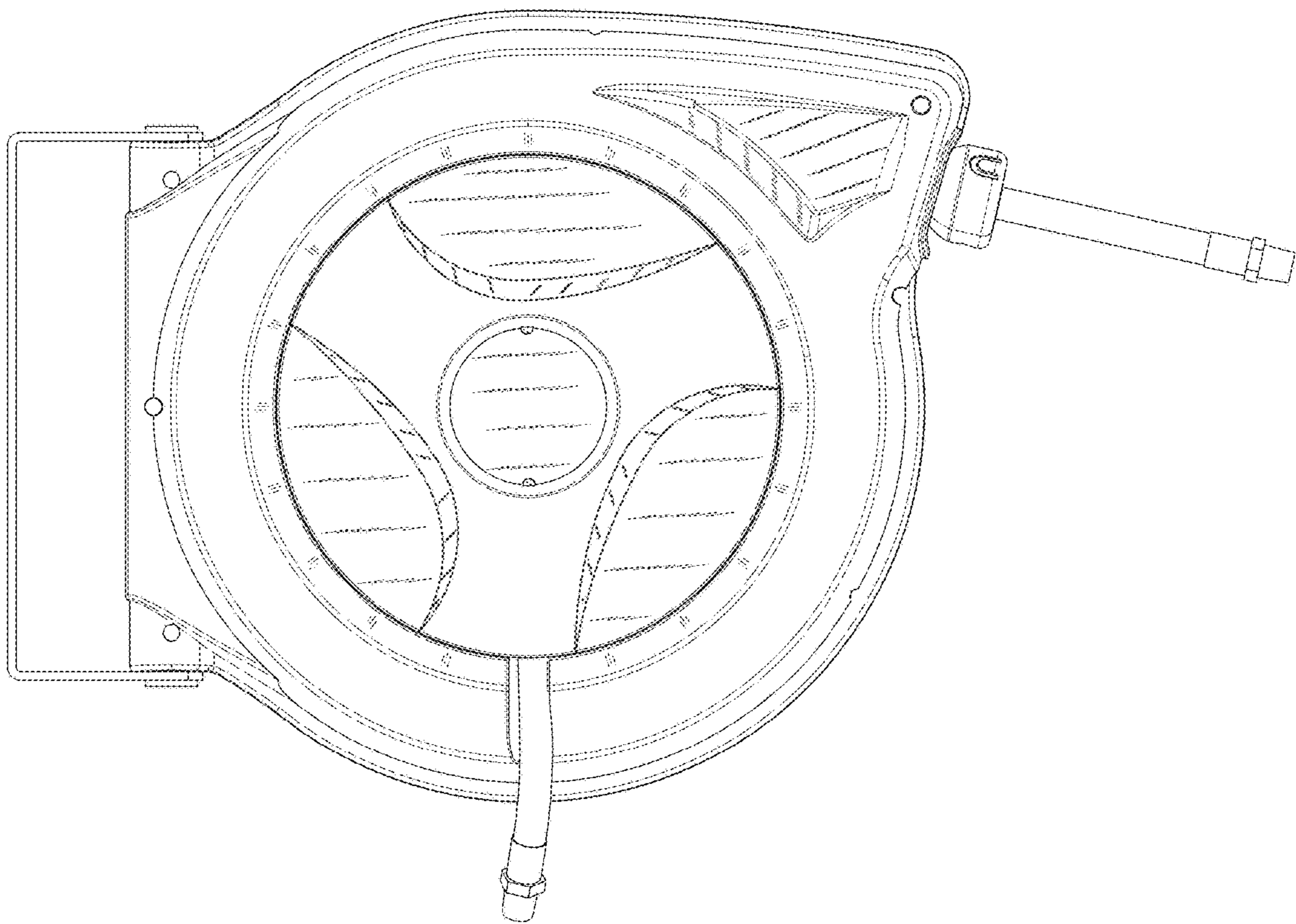


FIG .2

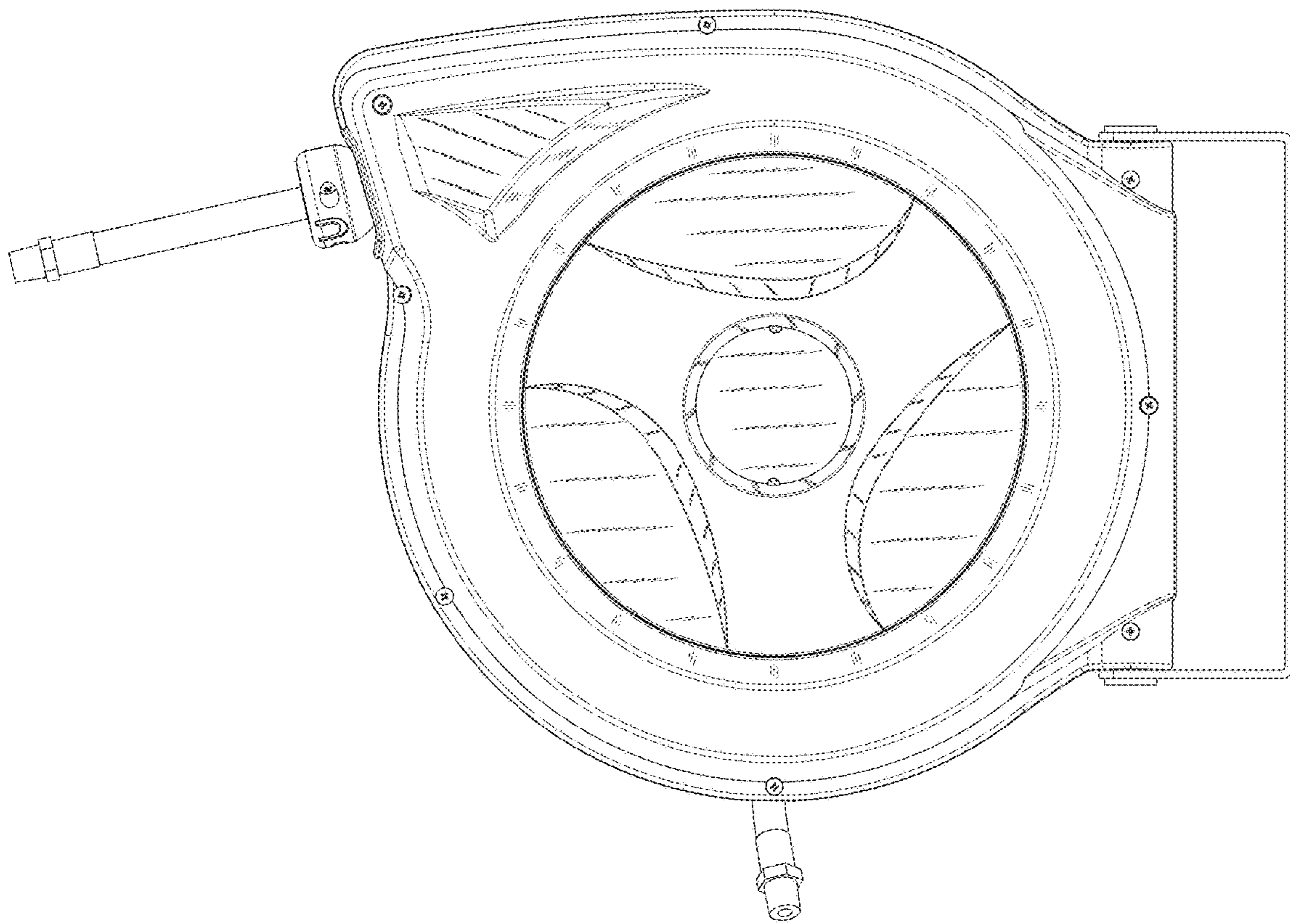


FIG .3

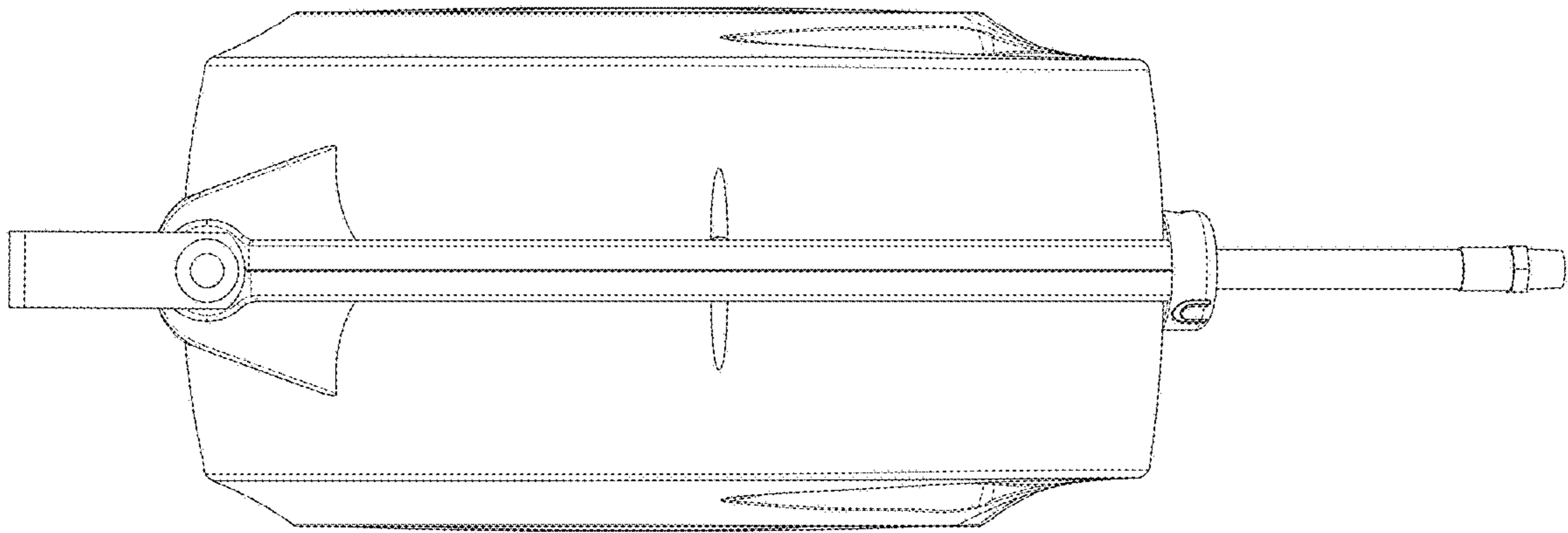


FIG .4

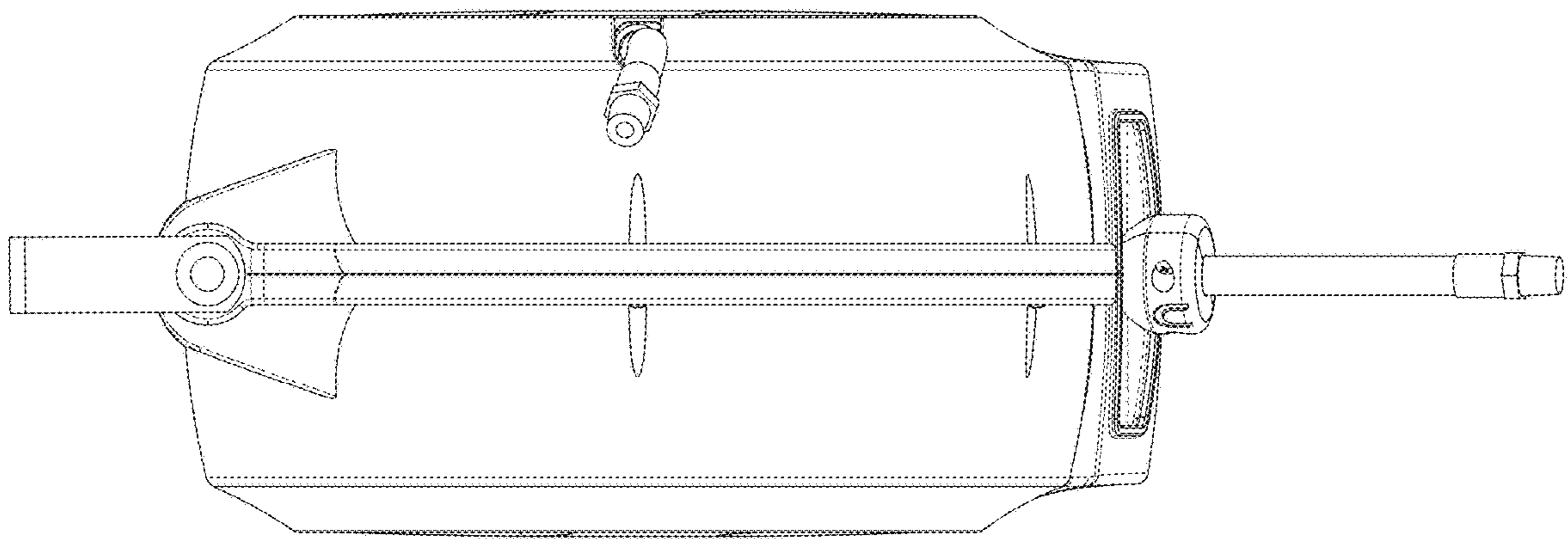


FIG .5

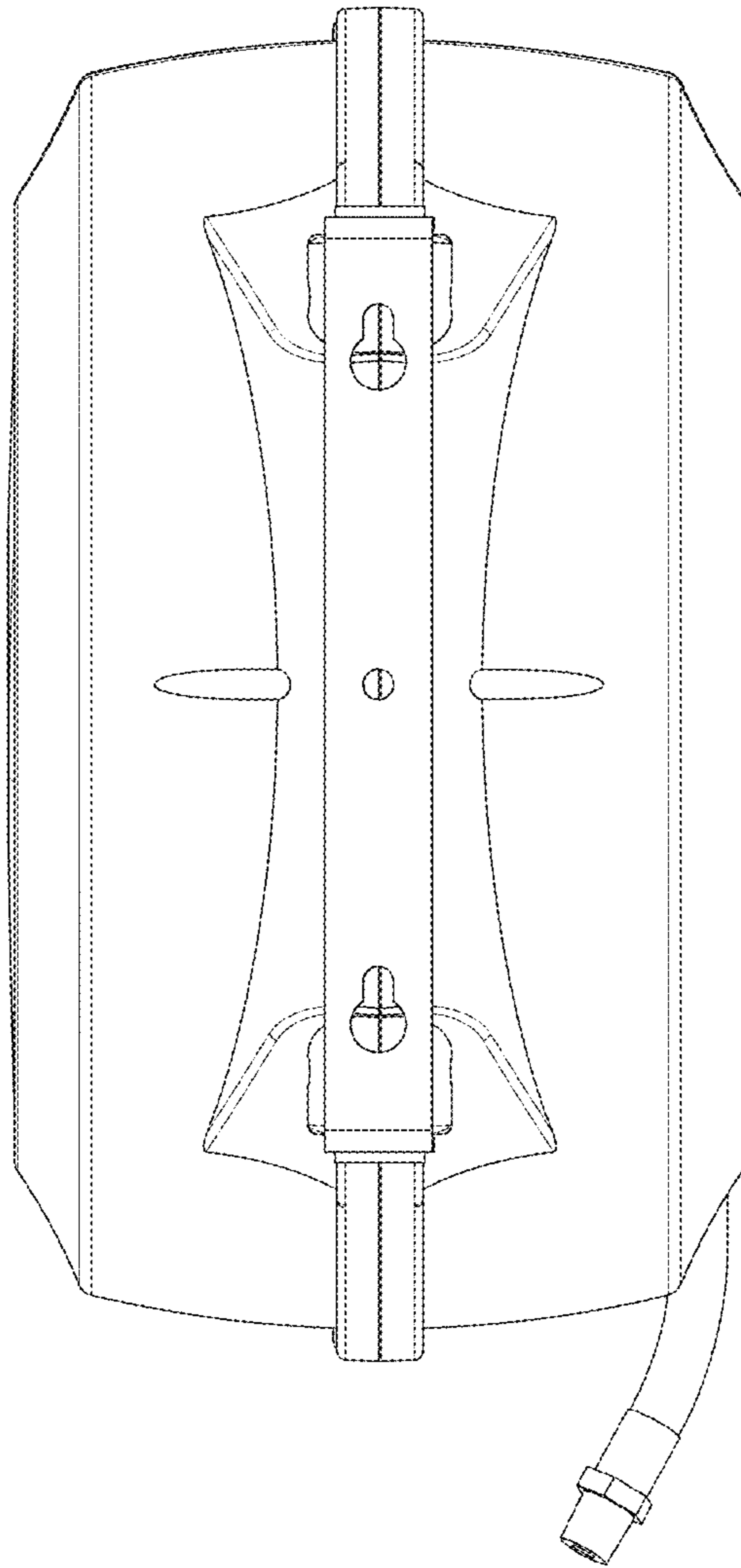


FIG .6

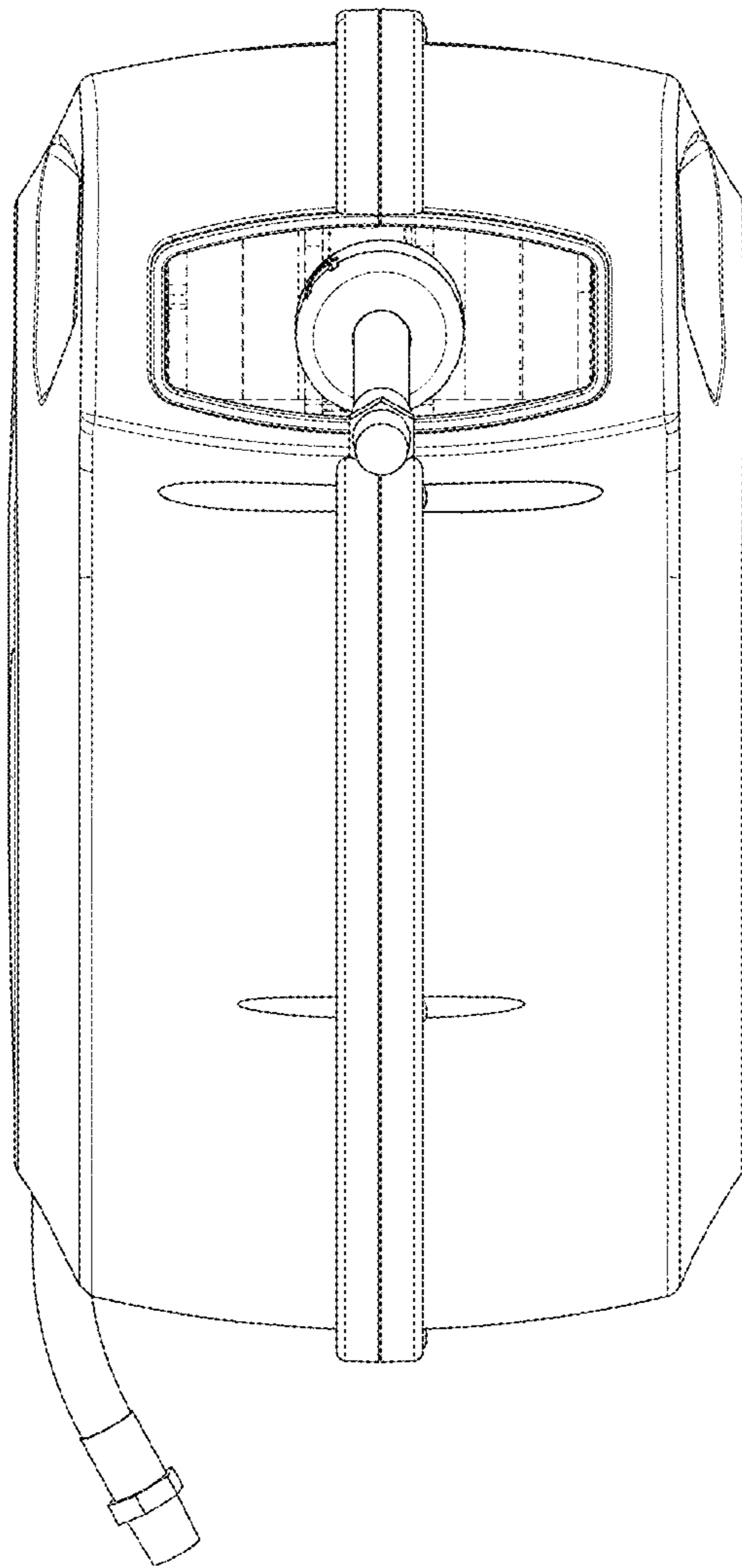


FIG .7