



US00D813015S

(12) **United States Design Patent**
O'Brien et al.

(10) **Patent No.:** **US D813,015 S**
(45) **Date of Patent:** **** Mar. 20, 2018**

(54) **CABLE ACCESSORY**

(71) Applicants: **Stephen O'Brien**, Dublin (IE); **Tony Kelly**, Dublin (IE)

(72) Inventors: **Stephen O'Brien**, Dublin (IE); **Tony Kelly**, Dublin (IE)

(73) Assignee: **Cableflag Limited**, Dublin (IE)

(**) Term: **15 Years**

(21) Appl. No.: **29/590,712**

(22) Filed: **Jan. 12, 2017**

(30) **Foreign Application Priority Data**

Jul. 15, 2016 (EM) 003308246-0001

(51) **LOC (11) Cl.** **09-06**

(52) **U.S. Cl.**
USPC **D8/356**

(58) **Field of Classification Search**
USPC D8/356, 354, 349
CPC B65H 57/16; E02D 5/803; B63B 21/045;
B63B 59/02; B60D 1/18; B60P 1/103;
Y10T 24/3918; H02G 7/12
See application file for complete search history.

(56) **References Cited**

U.S. PATENT DOCUMENTS

- 2,396,836 A * 3/1946 Ellinwood F16L 3/2235
174/135
- 2,937,833 A * 5/1960 Sachs F16L 3/2235
248/49
- 3,546,364 A * 12/1970 O'Neel H01R 11/03
174/72 R
- 3,740,692 A * 6/1973 Filhaber H01R 4/38
174/72 R
- 4,099,626 A * 7/1978 Magnussen, Jr. A47B 63/02
211/194

- D258,864 S * 4/1981 Muller D8/356
- D265,052 S * 6/1982 Husted D8/356
- 5,139,429 A * 8/1992 Herman H01R 13/60
439/133
- 5,234,185 A * 8/1993 Hoffman F16L 5/14
248/56
- 5,316,246 A * 5/1994 Scott A61M 5/1418
248/68.1
- D353,990 S * 1/1995 Alfreds D8/356
- D354,904 S * 1/1995 Halsten D8/356
- D372,188 S * 7/1996 Van Dyke D8/358
- D390,447 S * 2/1998 Colen, Jr. D8/356
- 5,992,802 A * 11/1999 Campbell F16L 3/2235
248/68.1
- 6,012,940 A * 1/2000 Wheeler H01R 13/6392
439/369
- D430,005 S * 8/2000 Stearns D8/380

(Continued)

Primary Examiner — Cynthia Underwood

(74) *Attorney, Agent, or Firm* — Burns & Levinson LLP;
Jerry Cohen; David Gomes

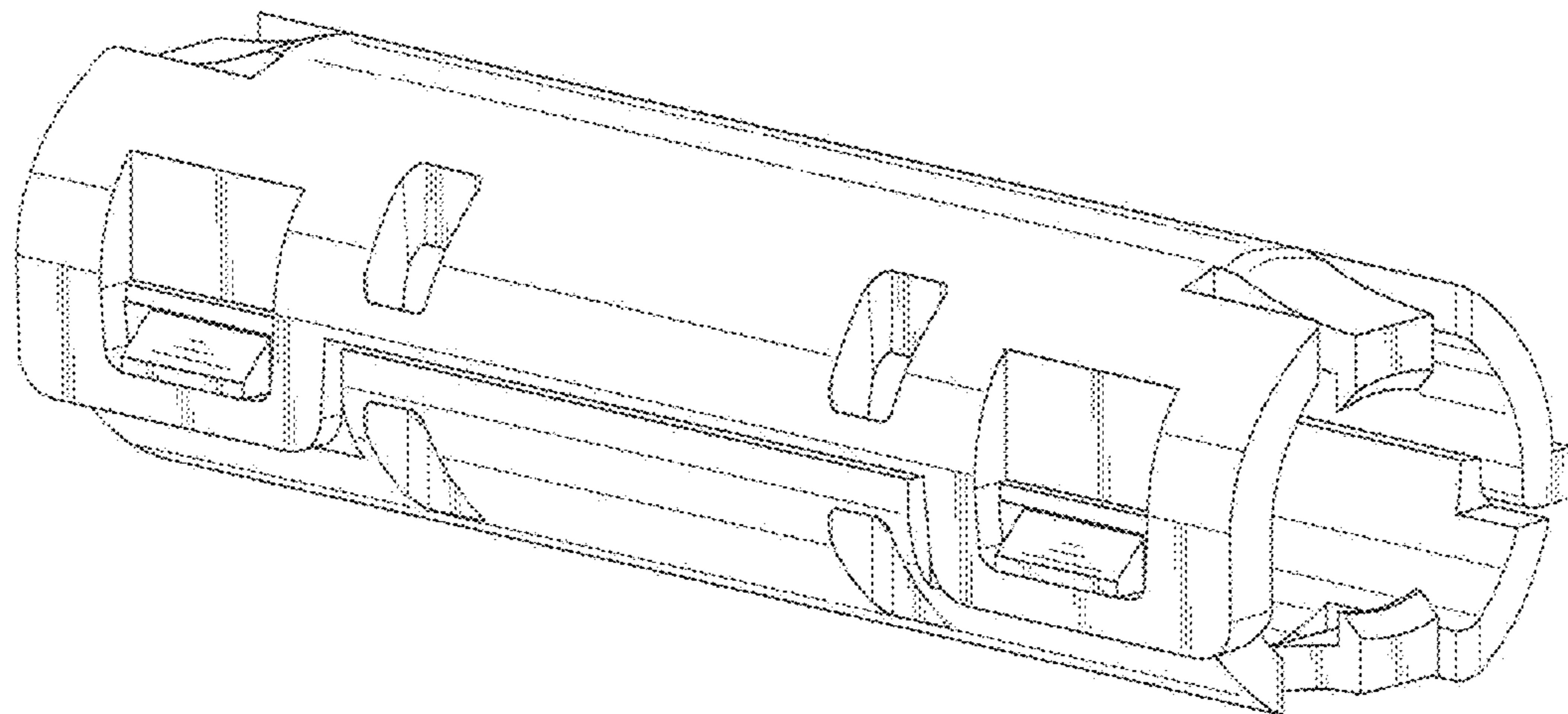
(57) **CLAIM**

The ornamental design for a cable accessory, as shown and described.

DESCRIPTION

FIG. 1 is a front perspective view of a cable accessory.
 FIG. 2 is a front view of the cable accessory of FIG. 1.
 FIG. 3 is a rear view of the cable accessory of FIG. 1.
 FIG. 4 is a left side view of the cable accessory of FIG. 1, the right side being a mirror image;
 FIG. 5 is a top view of the cable accessory of FIG. 1.
 FIG. 6 is a bottom view of the cable accessory of FIG. 1; and,
 FIG. 7 is the perspective view of the cable accessory of FIG. 1 as installed on a cable (shown in broken lines).
 The broken lines shown in FIG. 7 illustrate attachment of the cable accessory to a cable which forms no part of the claimed design.

1 Claim, 7 Drawing Sheets



(56)

References Cited

U.S. PATENT DOCUMENTS

6,203,384 B1 * 3/2001 DeFrance H01R 4/36
 439/797
 6,227,502 B1 * 5/2001 Derman F16L 3/2235
 248/68.1
 D447,930 S * 9/2001 Larson D8/354
 D448,650 S * 10/2001 Vrame D8/354
 6,571,854 B1 * 6/2003 Palmer E06B 9/324
 160/173 R
 D485,161 S * 1/2004 Hutchinson D8/383
 D494,450 S * 8/2004 Schultz D8/356
 D537,332 S * 2/2007 Nagle D8/396
 D537,709 S * 3/2007 Thorner D8/396
 7,189,100 B1 * 3/2007 Colbourne H01R 13/6392
 439/367
 D576,867 S * 9/2008 Kretz D8/356
 7,610,661 B2 * 11/2009 Sween B65H 75/06
 24/129 R
 D644,501 S * 9/2011 Chen D8/356

D647,387 S * 10/2011 Pawluk D8/356
 8,294,030 B2 * 10/2012 Pollard, Jr. H02G 3/24
 174/155
 D674,270 S * 1/2013 Gerber D8/356
 D691,875 S * 10/2013 Ganski D8/356
 D707,106 S * 6/2014 Crouse D8/356
 D707,107 S * 6/2014 Crouse D8/356
 D731,296 S * 6/2015 Nelson D8/356
 D733,534 S * 7/2015 Altrichter D8/356
 D753,985 S * 4/2016 Nelson D8/356
 9,314,013 B2 * 4/2016 Mancuso, Jr. A01M 31/006
 D756,752 S * 5/2016 Dentener D8/356
 D774,002 S * 12/2016 Hsieh D13/155
 D791,582 S * 7/2017 Nelson D8/356
 D794,434 S * 8/2017 McCoy D8/354
 9,755,354 B1 * 9/2017 Aumiller H01R 13/60
 D801,784 S * 11/2017 Simon D8/356
 D803,666 S * 11/2017 Morley D8/356
 D807,461 S * 1/2018 Cheng D22/108
 2009/0324188 A1 * 12/2009 Berglund G02B 6/4441
 385/135

* cited by examiner

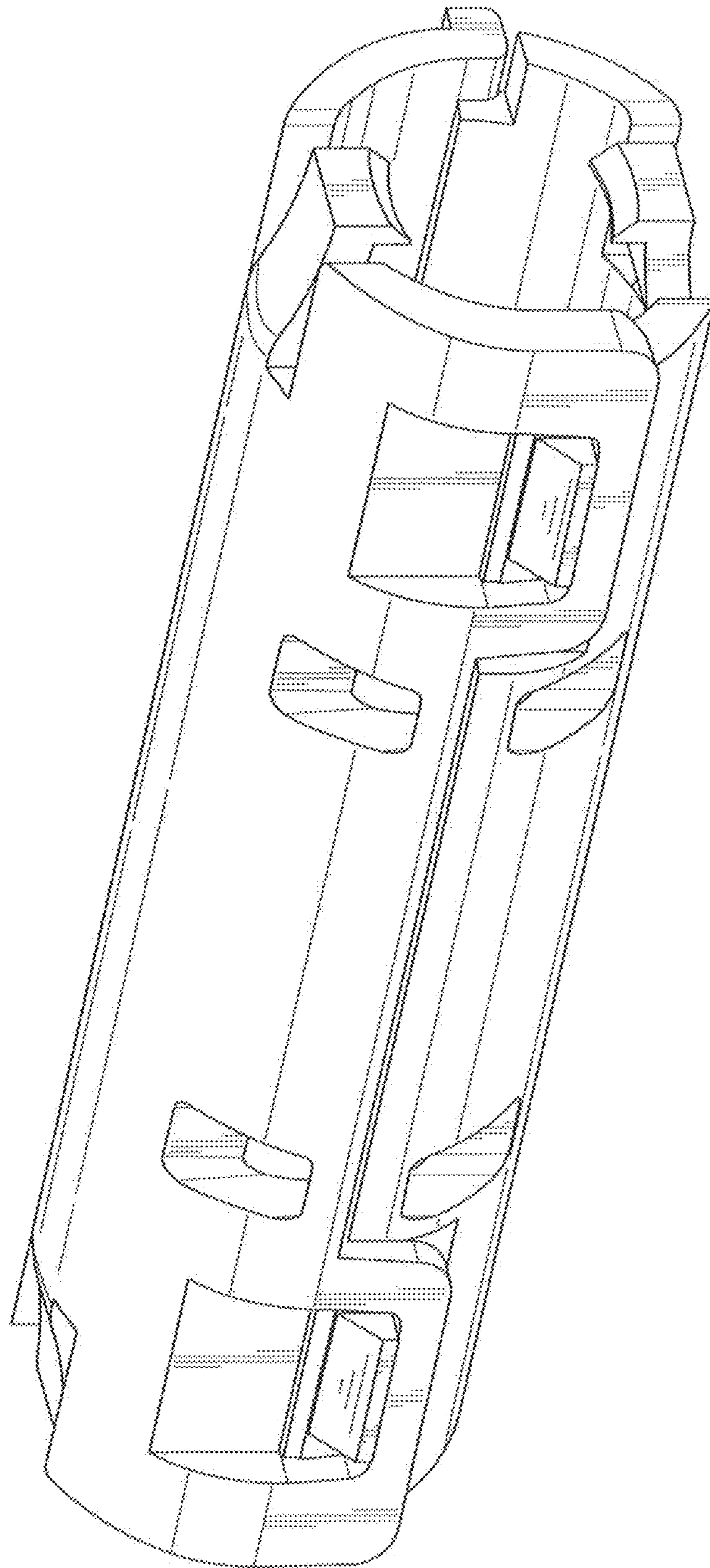


FIG. 1

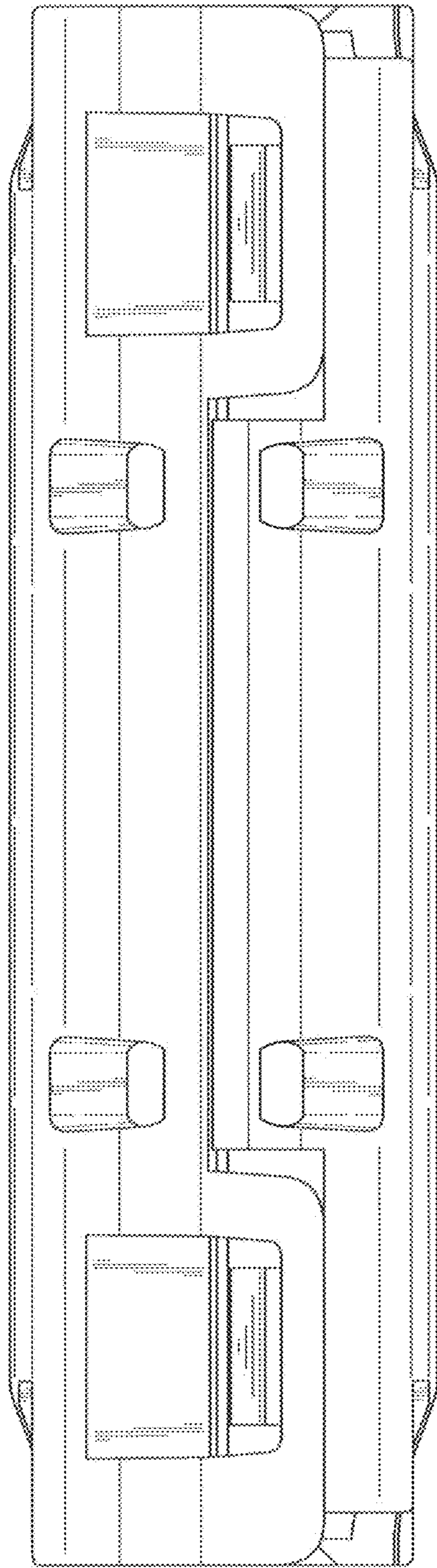


FIG. 2

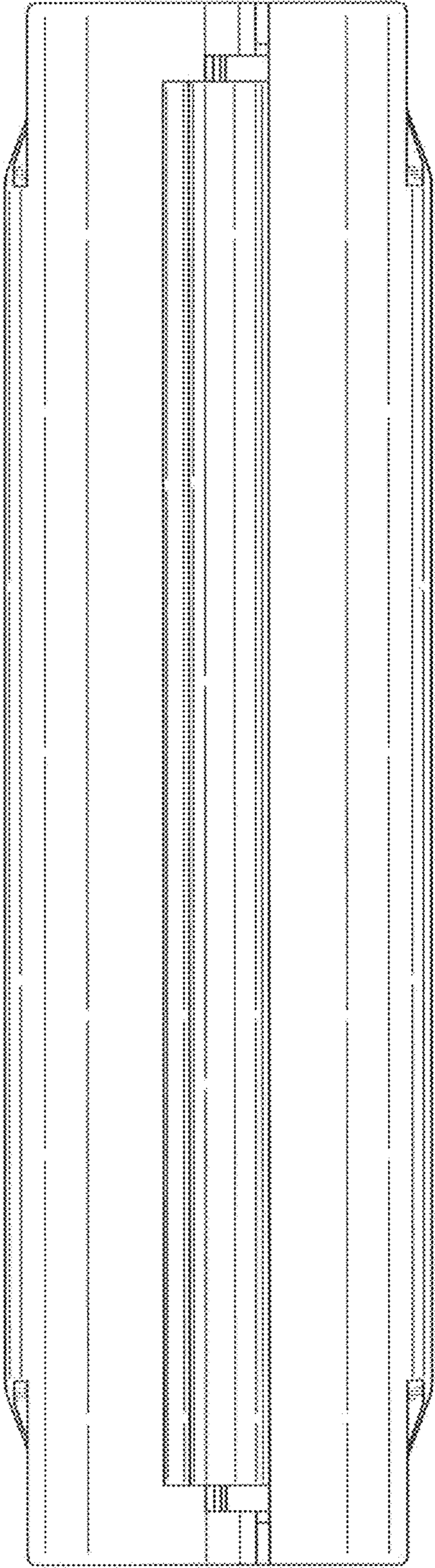


FIG. 3

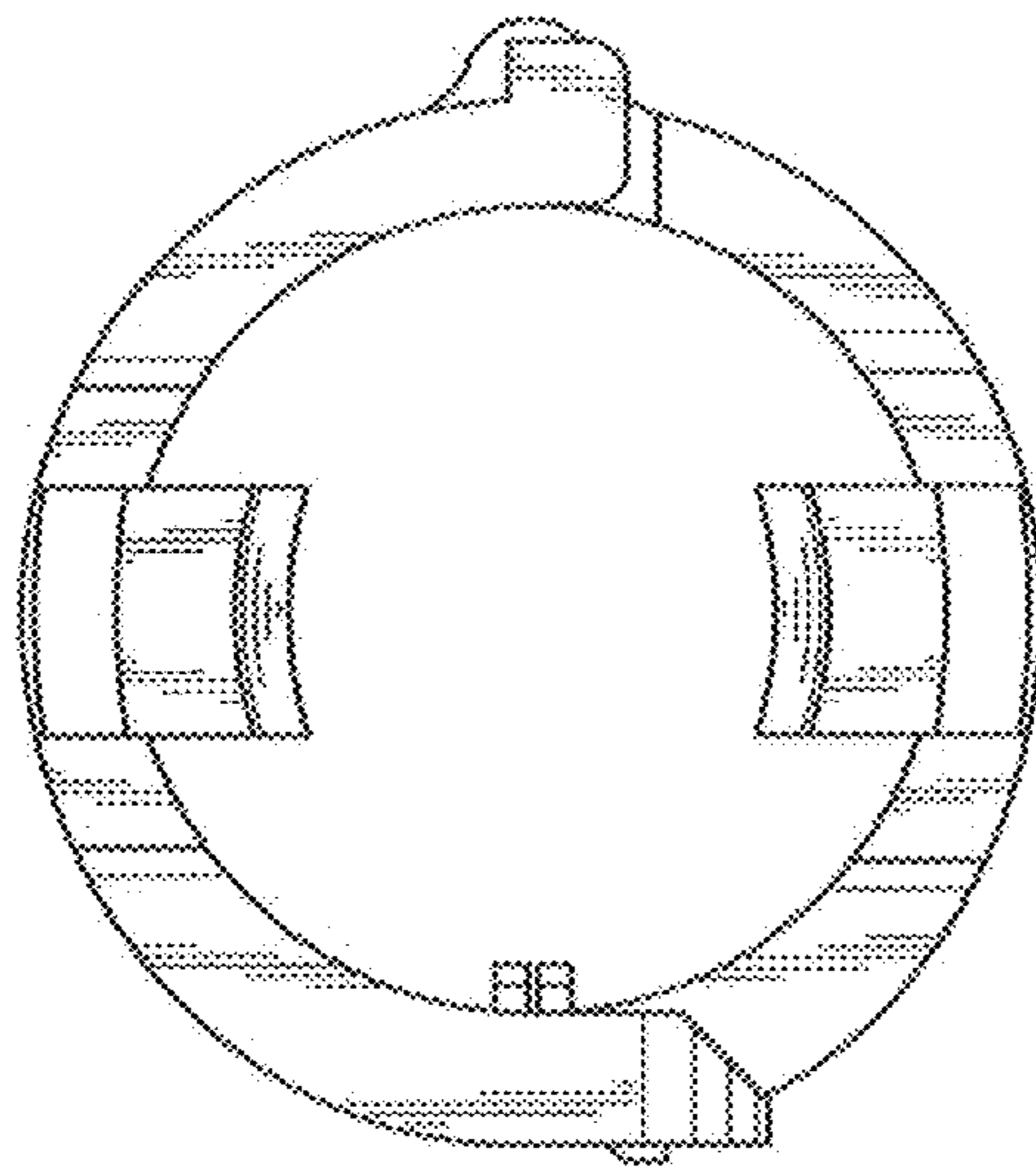


FIG. 4

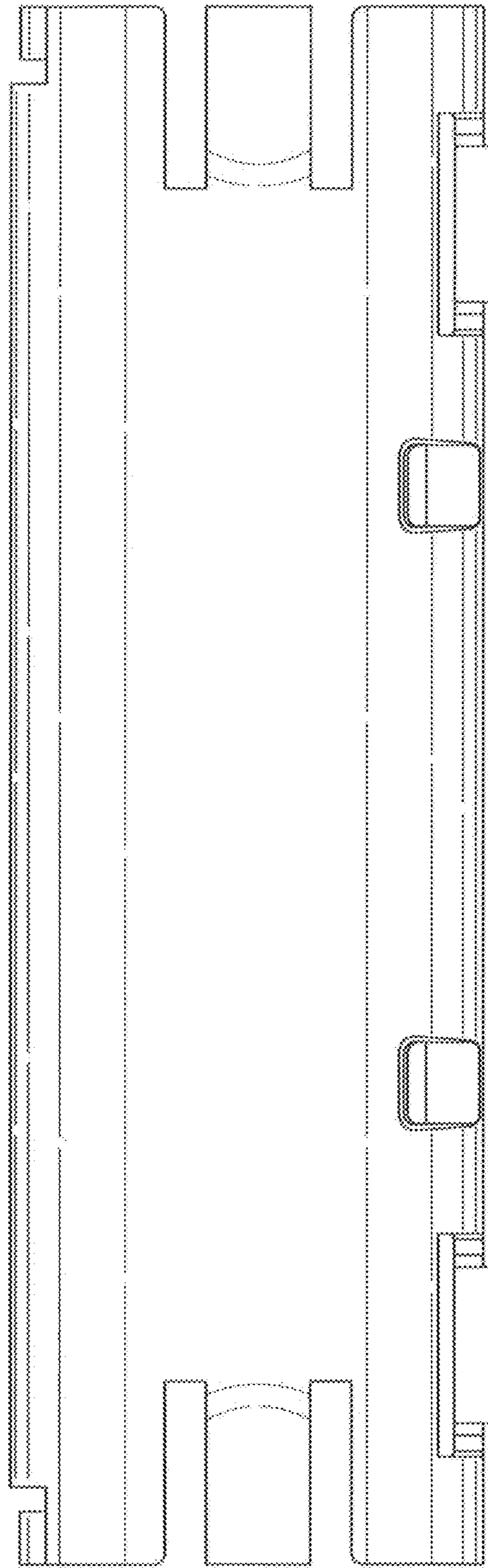


FIG. 5

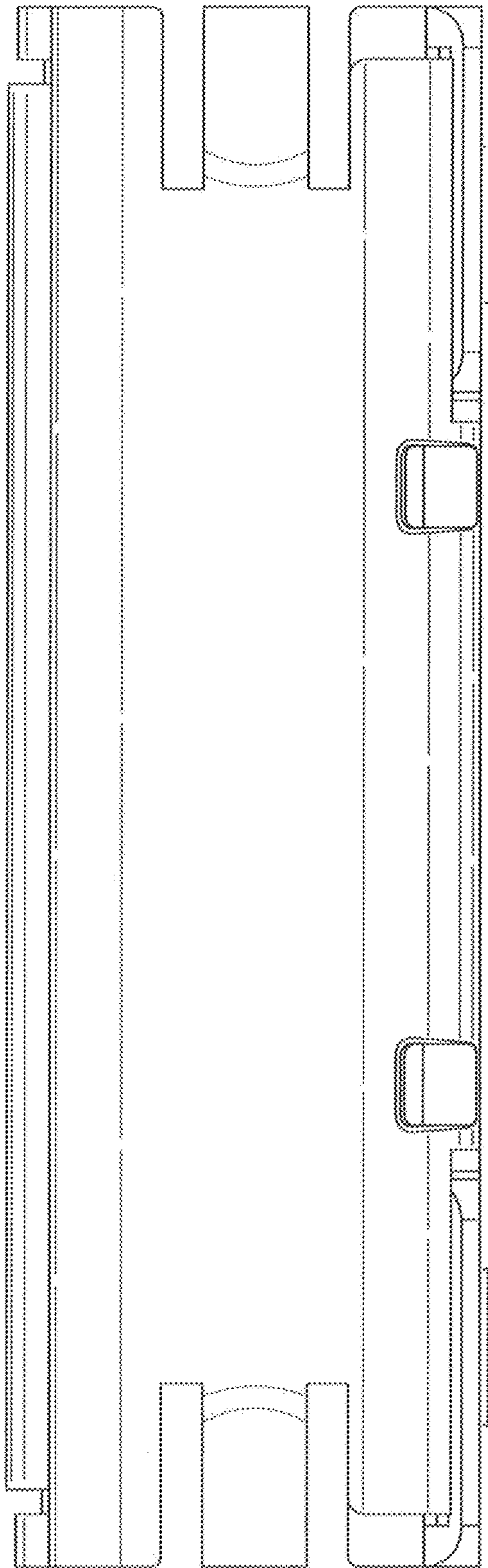


FIG. 6

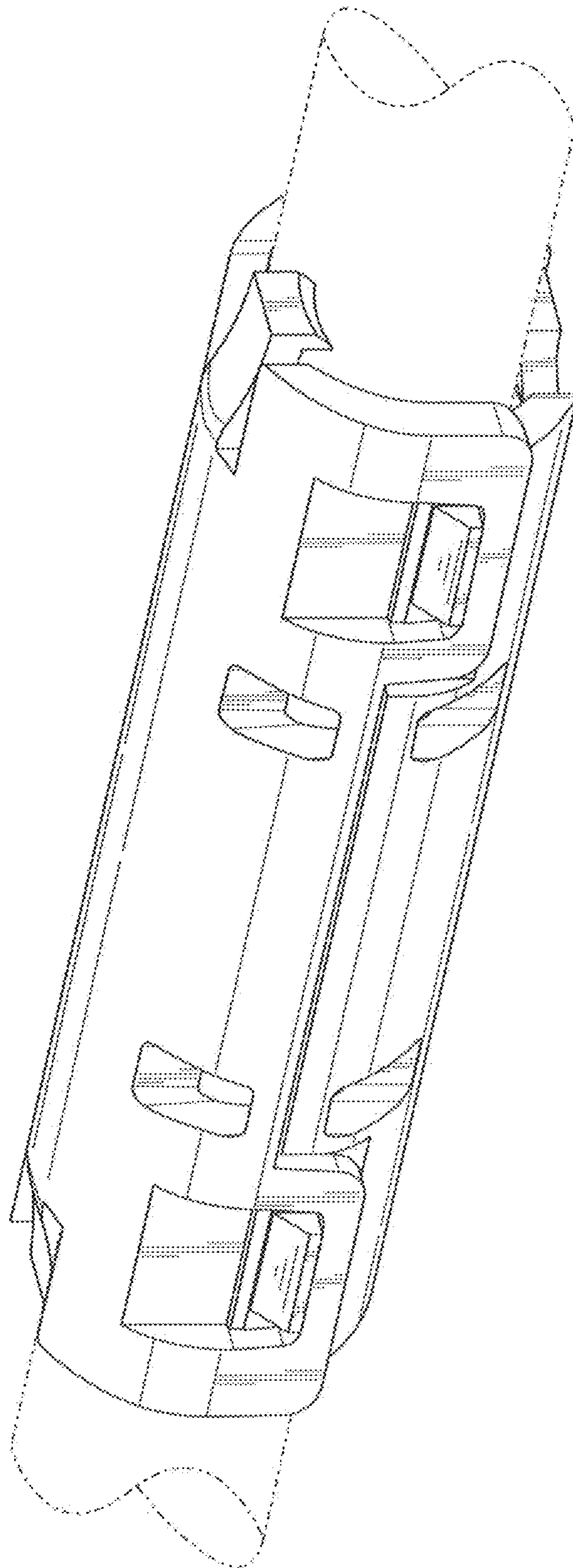


FIG. 7