



US00D813014S

(12) **United States Design Patent** (10) **Patent No.:** **US D813,014 S**
Mattozzi (45) **Date of Patent:** **** Mar. 20, 2018**

- (54) **SECURITY STICK**
- (71) Applicant: **Mark G. Mattozzi**, Weston, FL (US)
- (72) Inventor: **Mark G. Mattozzi**, Weston, FL (US)
- (**) Term: **15 Years**
- (21) Appl. No.: **29/597,180**
- (22) Filed: **Mar. 15, 2017**
- (51) **LOC (11) Cl.** **08-07**
- (52) **U.S. Cl.**
USPC **D8/339**; D8/330; D8/343
- (58) **Field of Classification Search**
USPC D8/330, 331, 333, 339, 341, 343, 349,
D8/354, 382, 394, 400; 70/57.1, 141,
70/164, 224, 431, 465, 466; 292/256,
292/262, 266, 289, 292, 340; 248/70, 73
CPC E05B 15/00; E05B 15/022; E05B 15/024;
E05B 17/00; E05B 17/20; E05B 73/00;
E05C 19/00; E05C 19/003; E05C 19/005
See application file for complete search history.

- (56) **References Cited**
- U.S. PATENT DOCUMENTS
- 3,615,114 A * 10/1971 Harris E05B 65/0888
292/262
- D236,082 S * 7/1975 Williamd et al. D8/339
- 4,676,536 A * 6/1987 Arbic E05C 19/004
248/354.1
- D303,623 S * 9/1989 Pearson D8/330
- 5,064,232 A * 11/1991 Quarberg E05C 19/004
292/339
- D396,796 S * 8/1998 Gort D8/334
- 5,988,710 A * 11/1999 Kortschot E05C 19/004
292/272
- 7,164,356 B1 * 1/2007 Zeitz G08B 13/08
292/338

- D552,963 S * 10/2007 Freeman D8/339
- 7,481,410 B2 * 1/2009 Umberg E05B 73/0082
248/551
- 8,727,400 B1 * 5/2014 Marchand E05B 65/0888
292/259 R
- 8,733,140 B2 * 5/2014 Jones B60B 7/16
188/32
- D795,673 S * 8/2017 Rittman D8/330

* cited by examiner

Primary Examiner — Prabhakar Deshmukh

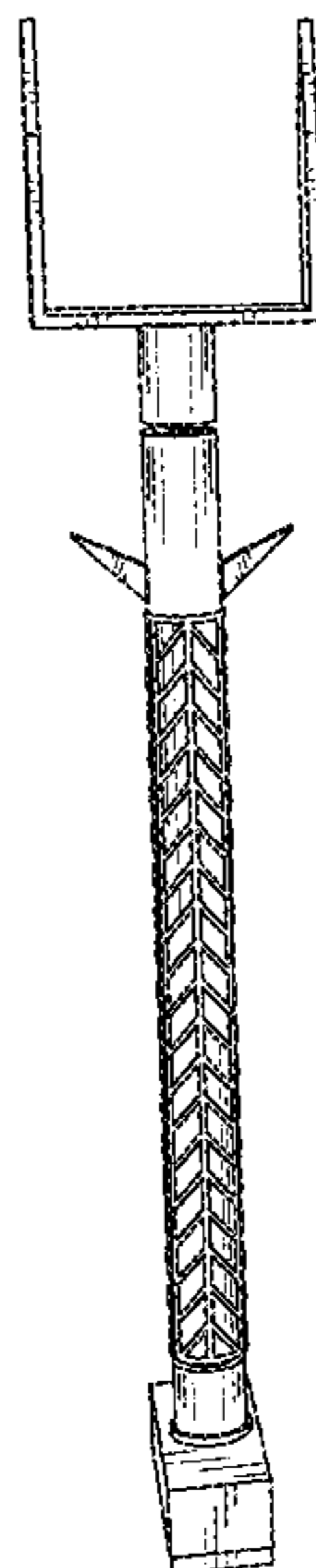
(57) **CLAIM**

The ornamental design for a security stick, as shown and described.

DESCRIPTION

FIG. 1 is a front left view of a security stick in a closed assembled configuration, showing my new design;
 FIG. 2 is a front elevation view thereof;
 FIG. 3 is a rear elevation view thereof;
 FIG. 4 is a right elevation view thereof;
 FIG. 5 is a left elevation view thereof;
 FIG. 6 is a top plan view thereof;
 FIG. 7 is a bottom plan view thereof;
 FIG. 8 is a front left view of a security stick in an open assembled configuration;
 FIG. 9 is a front left view of a security stick in a disassembled configuration;
 FIG. 10 is a front elevation view thereof;
 FIG. 11 is a rear elevation view thereof;
 FIG. 12 is a left elevation view thereof;
 FIG. 13 is a right elevation view thereof;
 FIG. 14 is a top plan view thereof; and,
 FIG. 15 is a bottom plan view thereof.
 The broken lines represent threaded regions of a security stick which form no part of the claimed design.

1 Claim, 14 Drawing Sheets



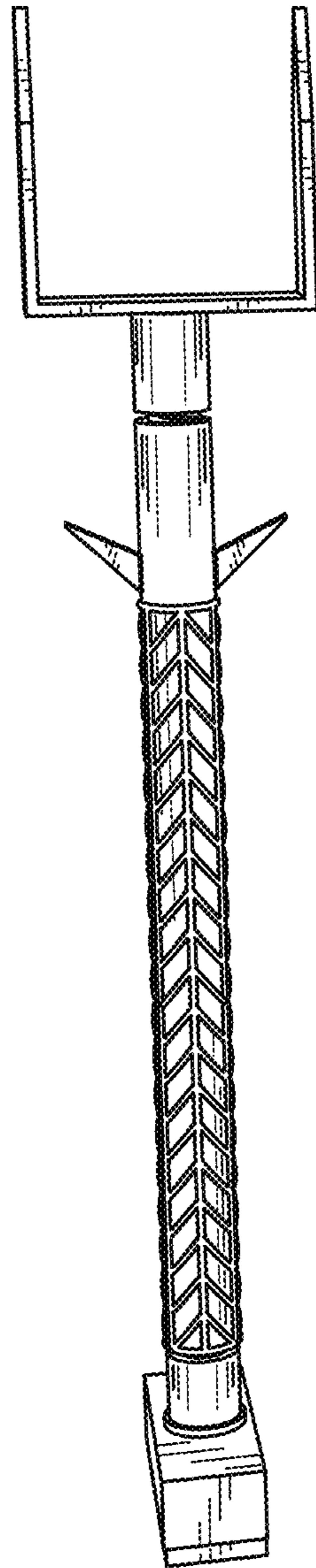


FIG. 1

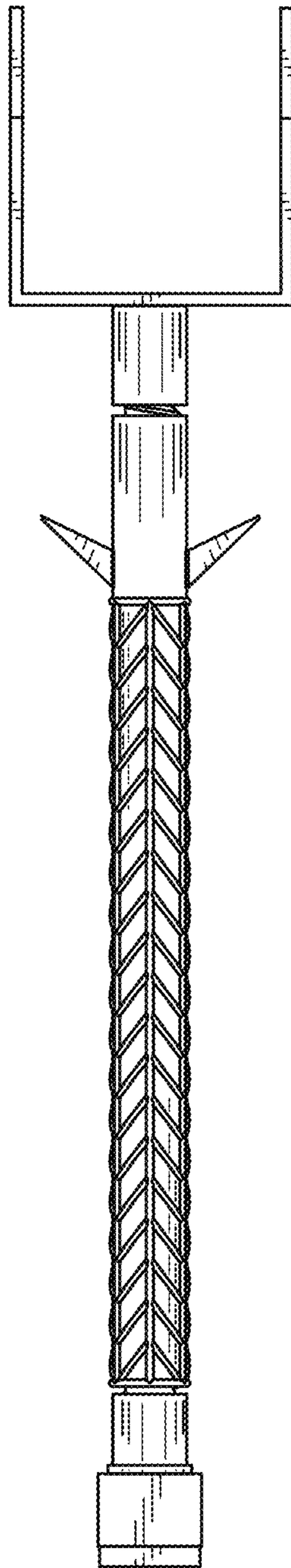


FIG. 2

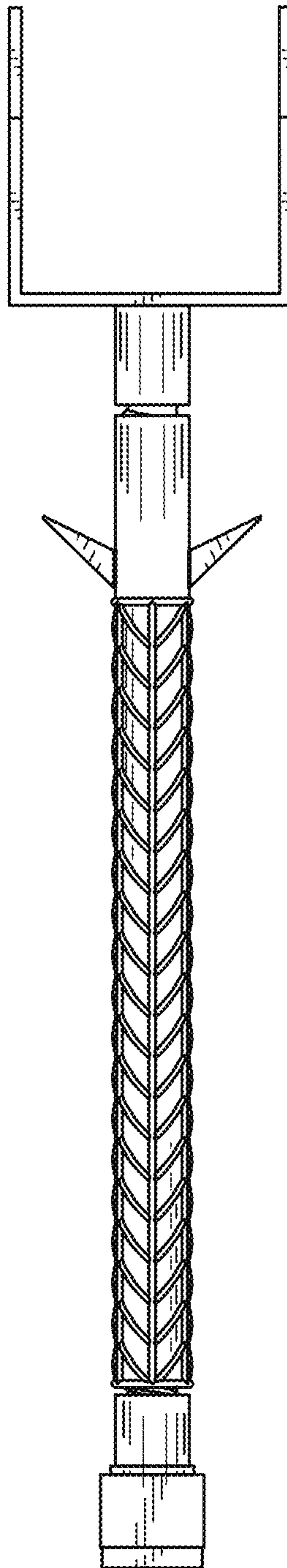


FIG. 3

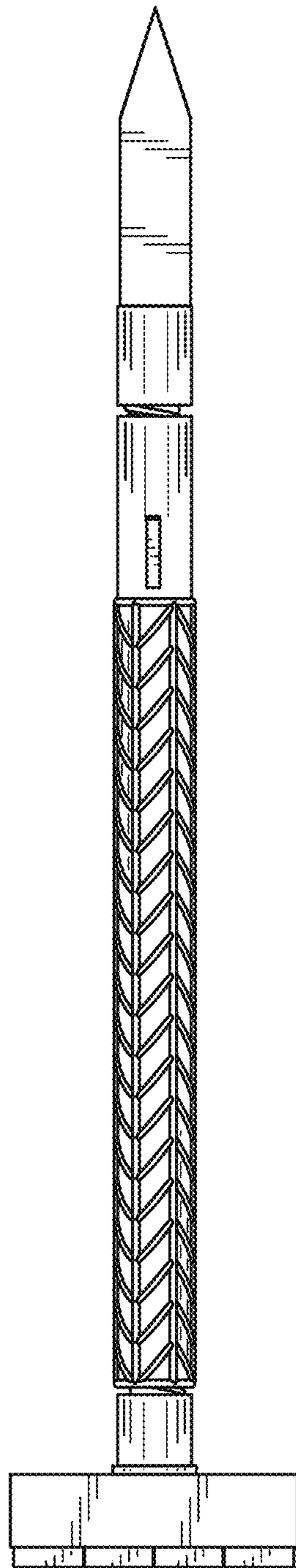


FIG. 4

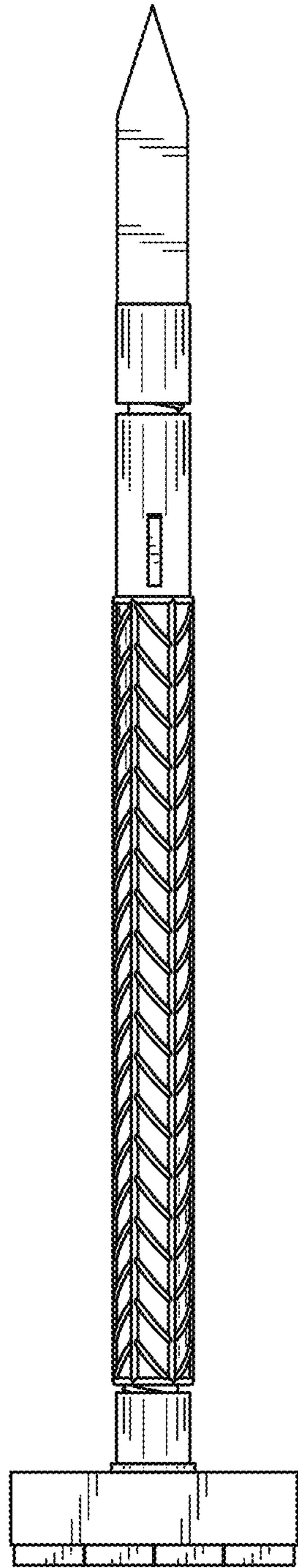


FIG. 5

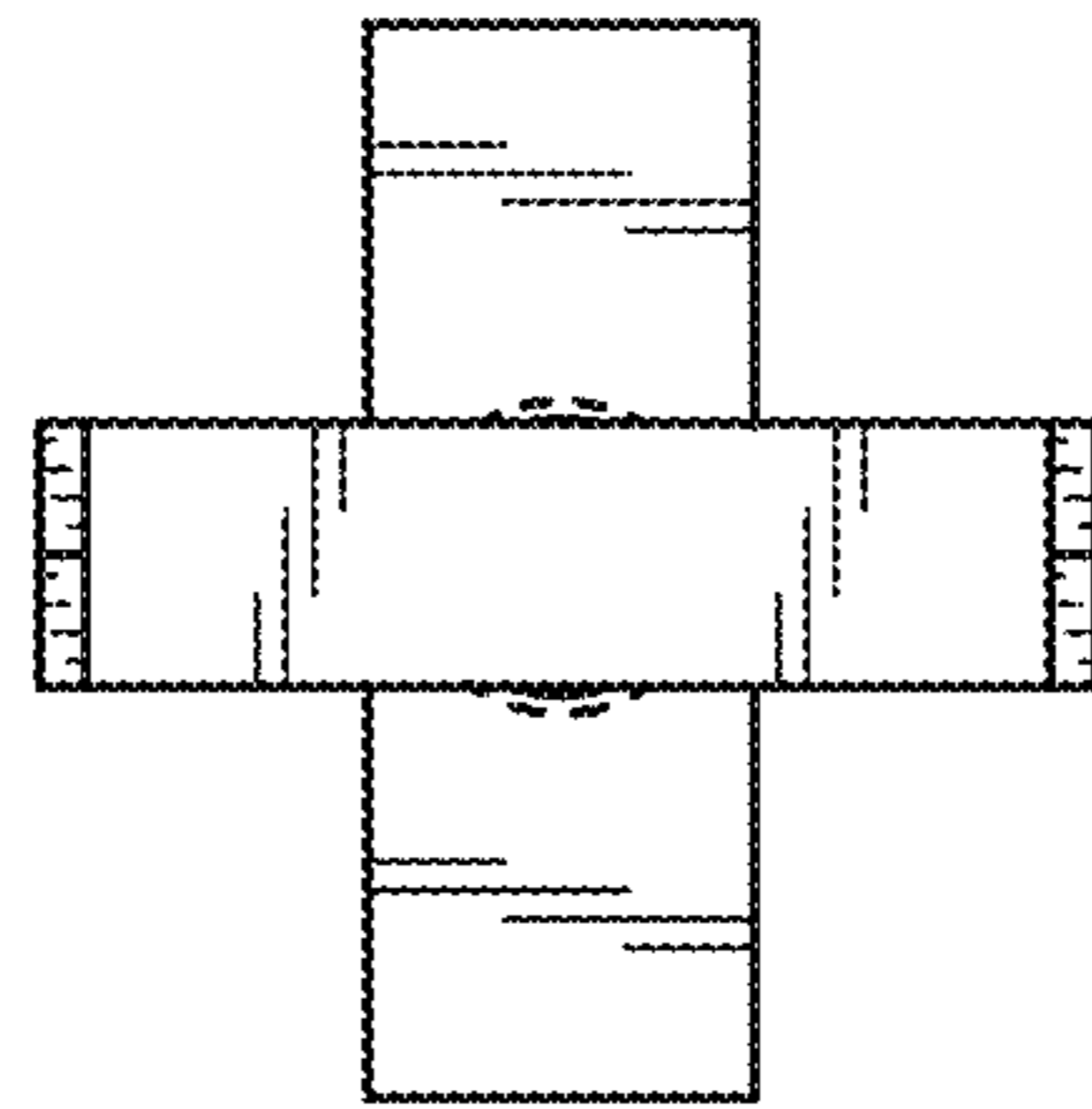


FIG. 6

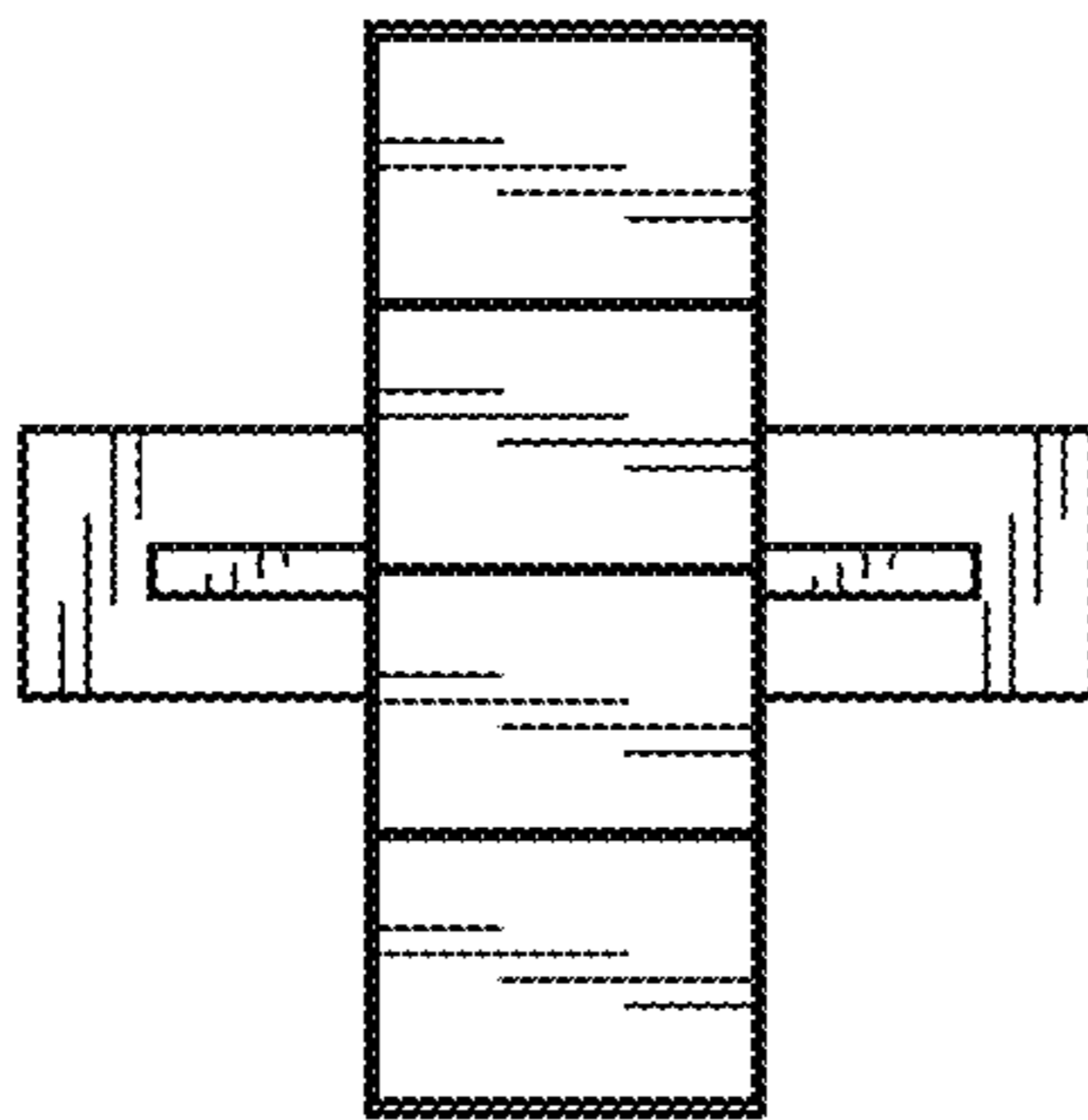


FIG. 7

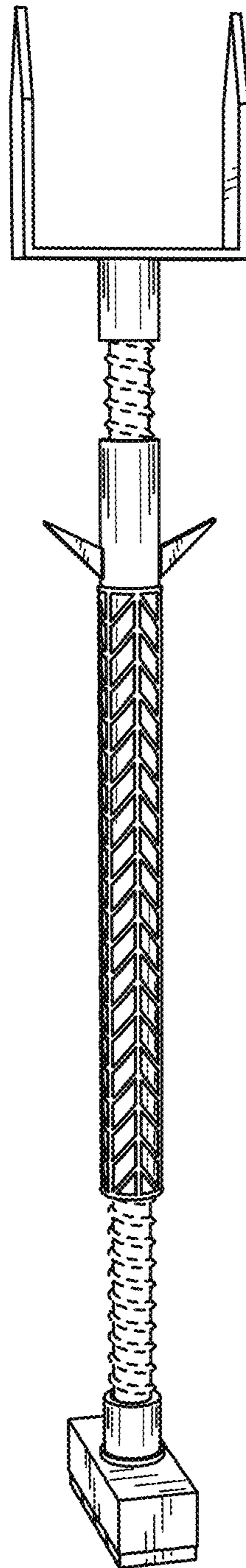


FIG. 8

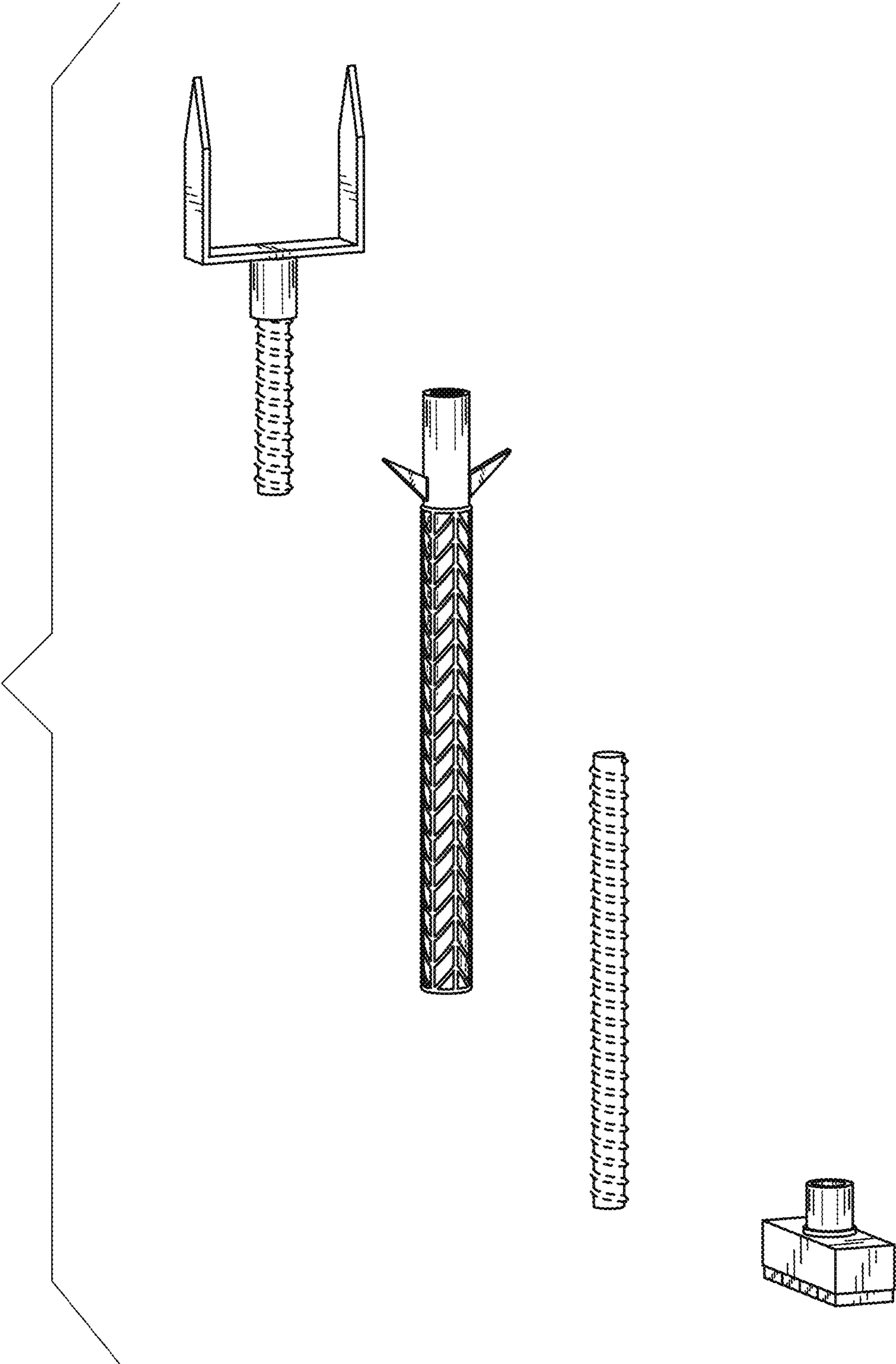


FIG. 9

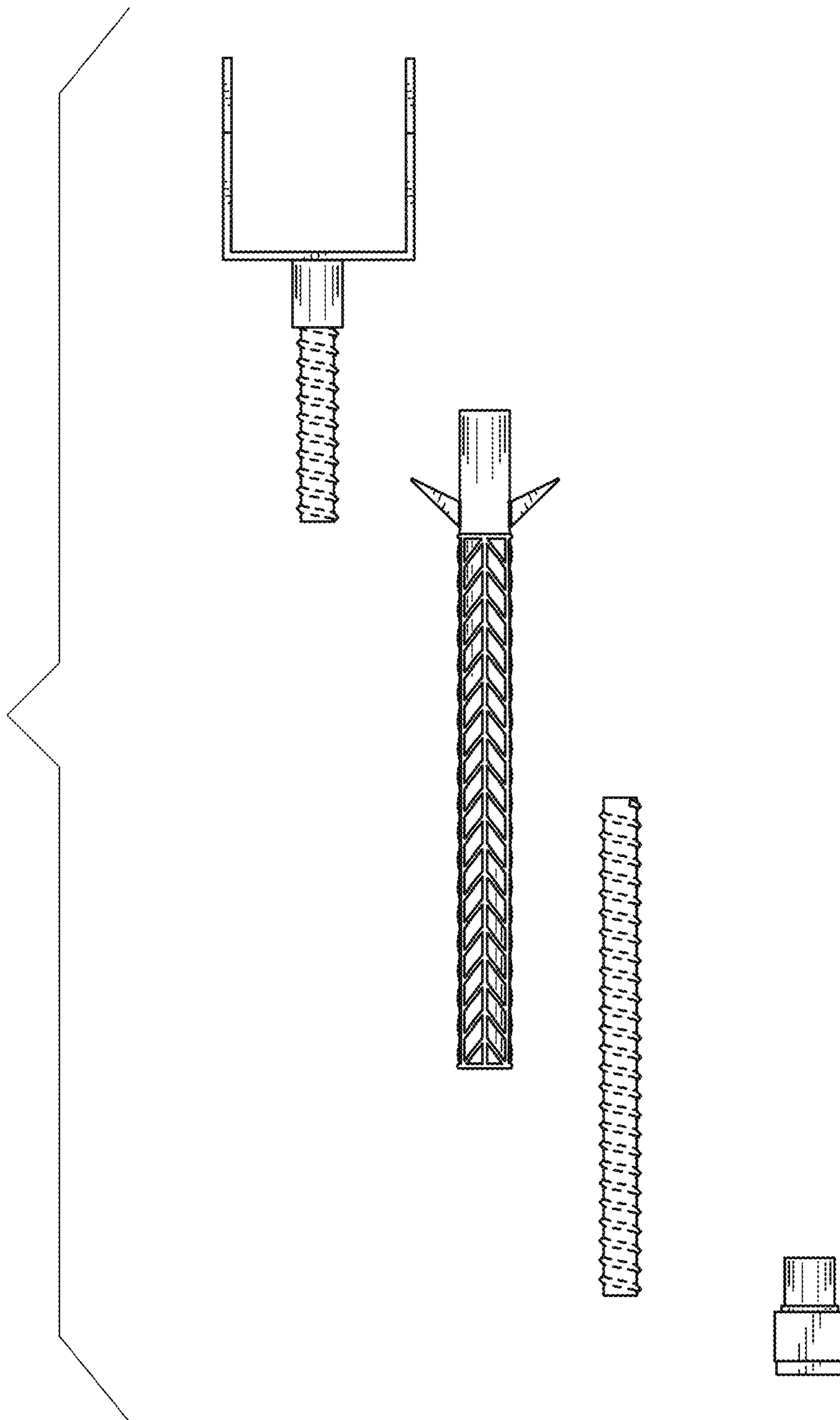


FIG. 10

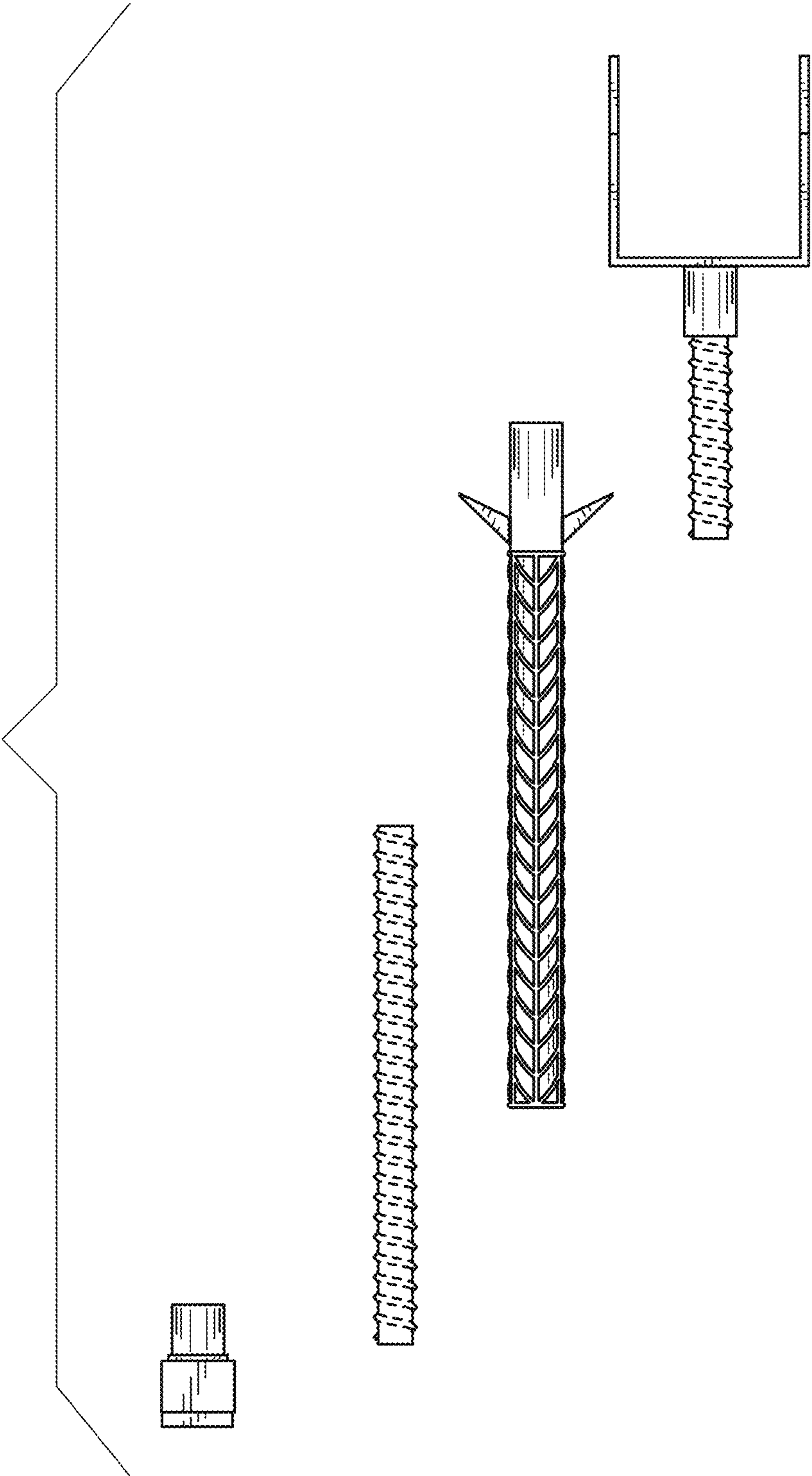


FIG. 11

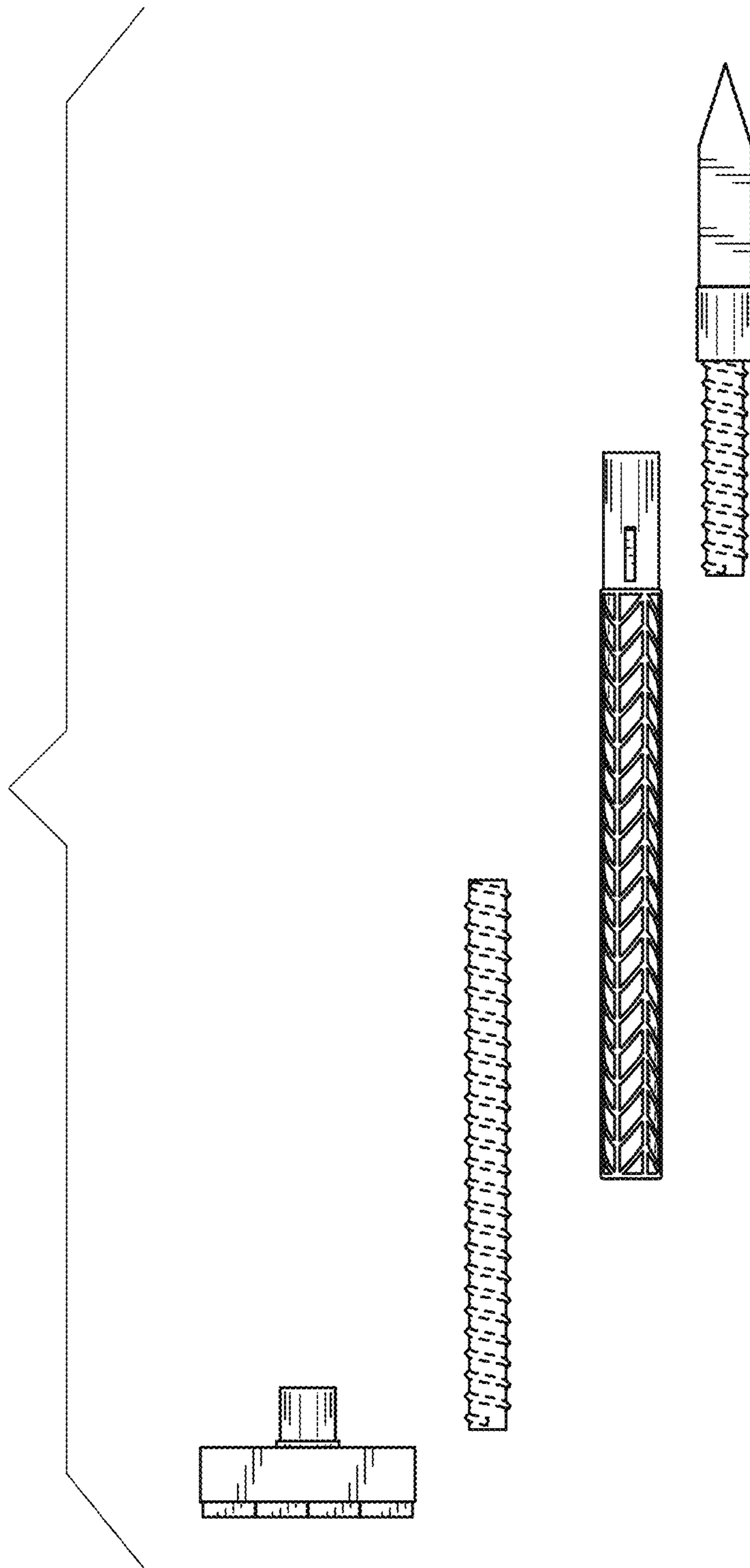


FIG. 12

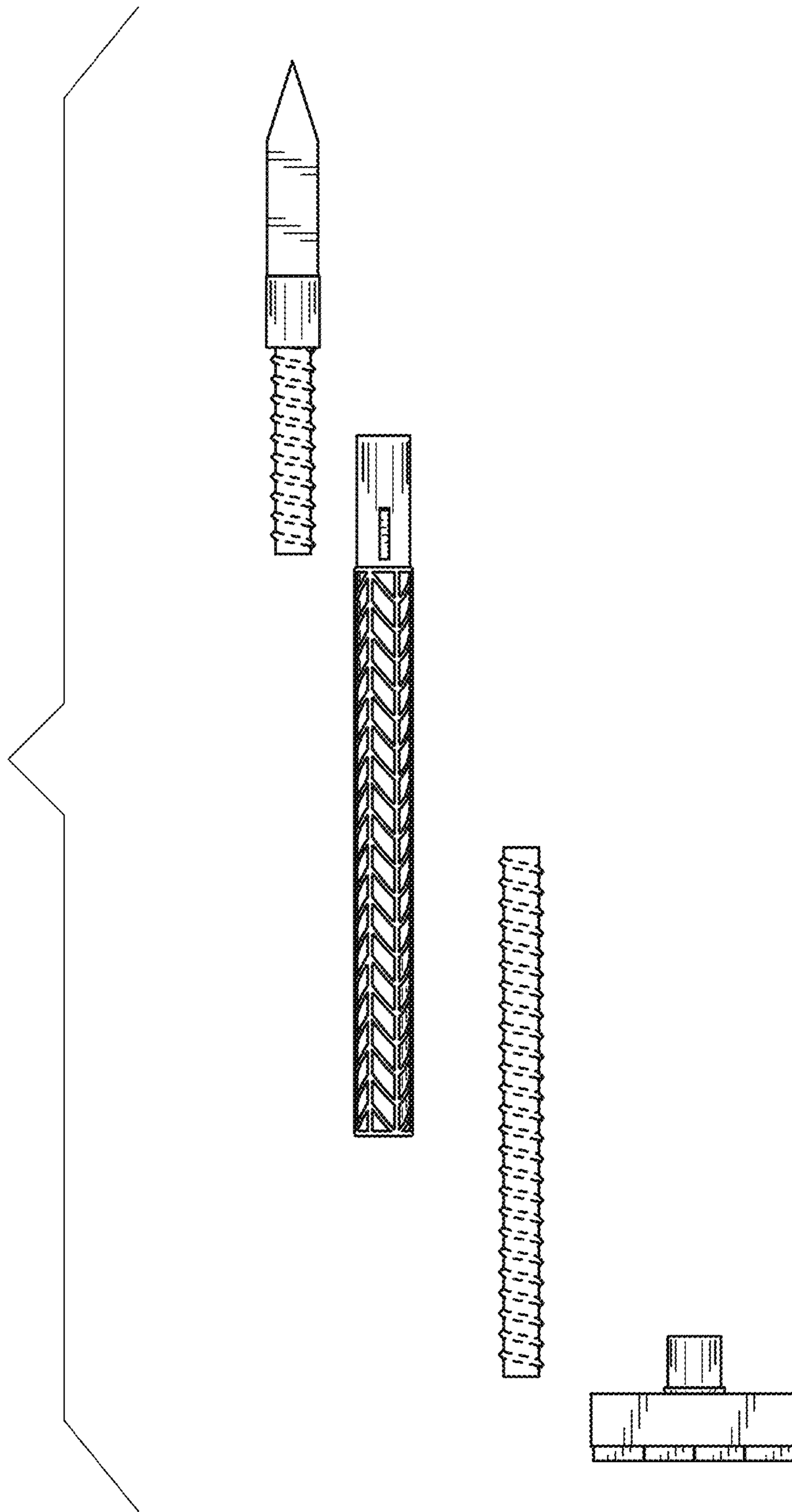


FIG. 13

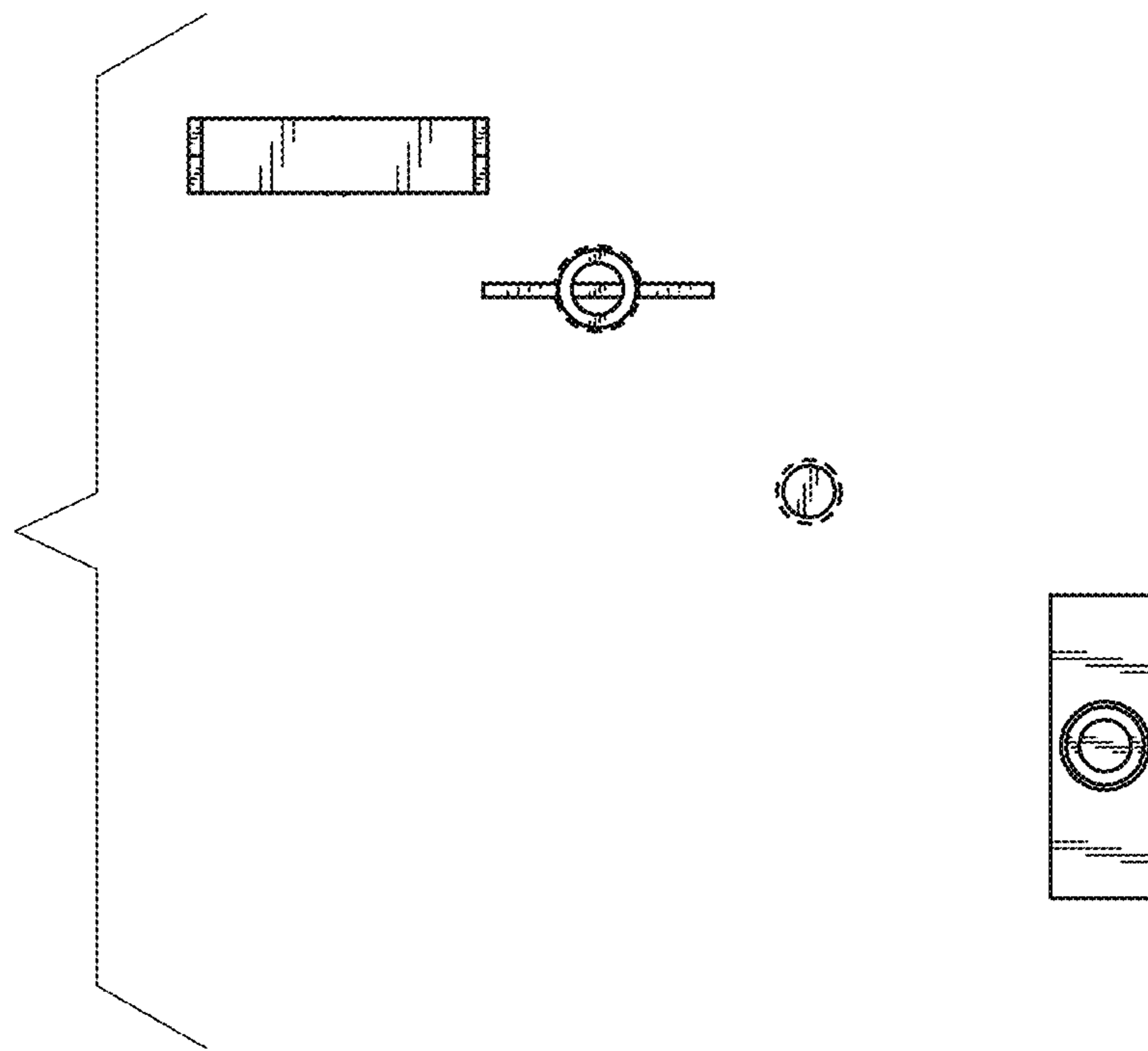


FIG. 14

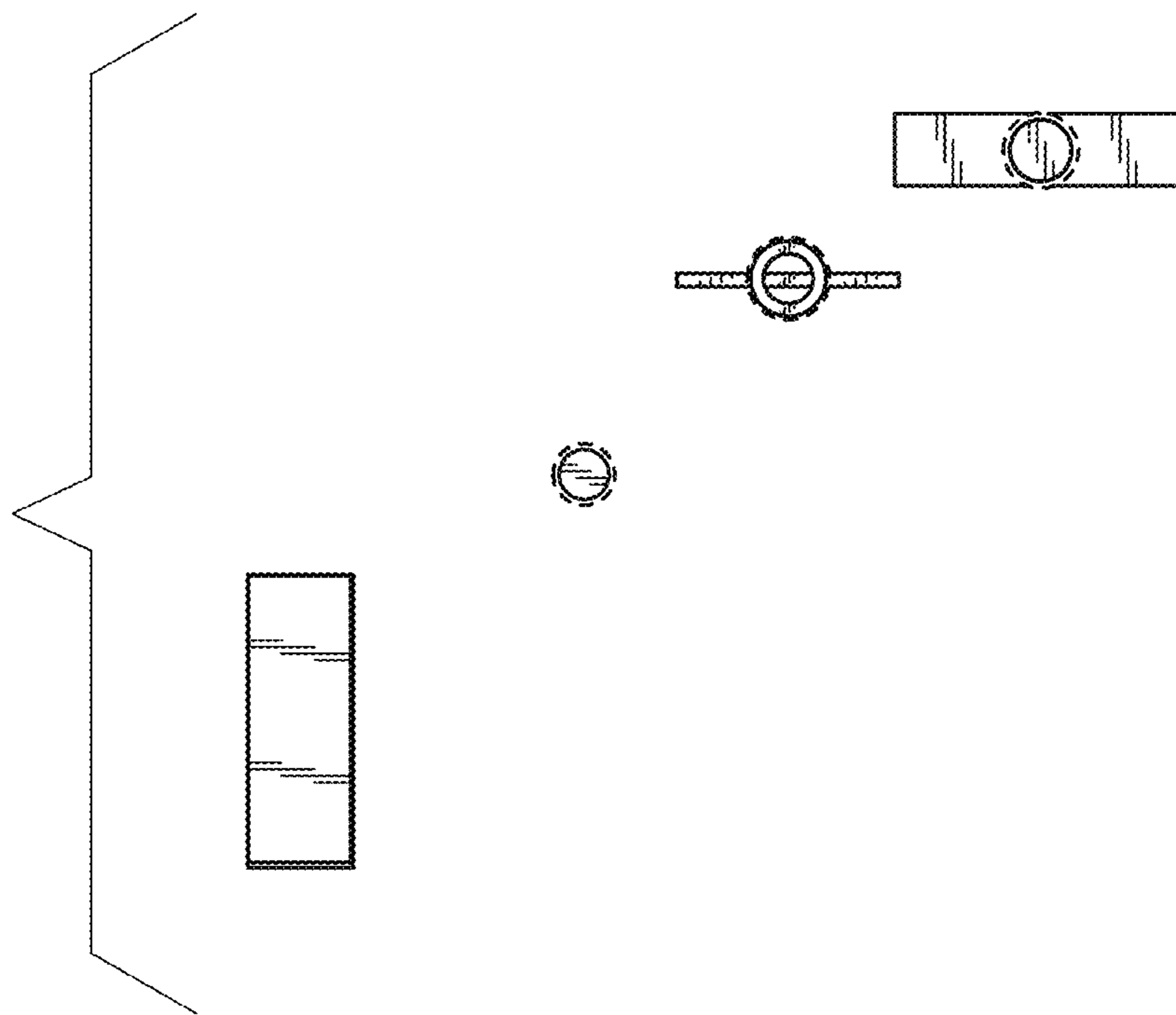


FIG. 15