



US00D813013S

(12) **United States Design Patent**
Callahan

(10) **Patent No.:** **US D813,013 S**
(45) **Date of Patent:** **** Mar. 20, 2018**

- (54) **BICYCLE LOCK**
- (71) Applicant: **BCycle, LLC**, Waterloo, WI (US)
- (72) Inventor: **Ryan Callahan**, Madison, WI (US)
- (73) Assignee: **B-Cycle, LLC**, Waterloo, WI (US)
- (**) Term: **15 Years**
- (21) Appl. No.: **29/571,453**
- (22) Filed: **Jul. 18, 2016**
- (51) **LOC (11) Cl.** **08-07**
- (52) **U.S. Cl.**
USPC **D8/333**
- (58) **Field of Classification Search**
USPC D8/330, 331, 333, 339, 343; 70/14, 15,
70/18, 57.1, 233-236
CPC E05B 71/00; E05B 73/00; E05B 67/22;
E05B 67/38
See application file for complete search history.

- 5,406,812 A * 4/1995 Jaw E05B 67/063
70/233
- D367,601 S * 3/1996 Brendel D8/333
- 5,687,701 A * 11/1997 Henry E05B 73/00
124/1
- D430,787 S * 9/2000 Liu D8/333
- D572,568 S * 7/2008 Tamura D8/333
- 9,376,841 B2 * 6/2016 Chan E05B 67/06
- D775,510 S * 1/2017 Lee D8/333
- D782,278 S * 3/2017 Smith D8/333

* cited by examiner

Primary Examiner — Prabhakar G Deshmukh

(57) **CLAIM**

The ornamental design for a bicycle lock, as shown and described.

DESCRIPTION

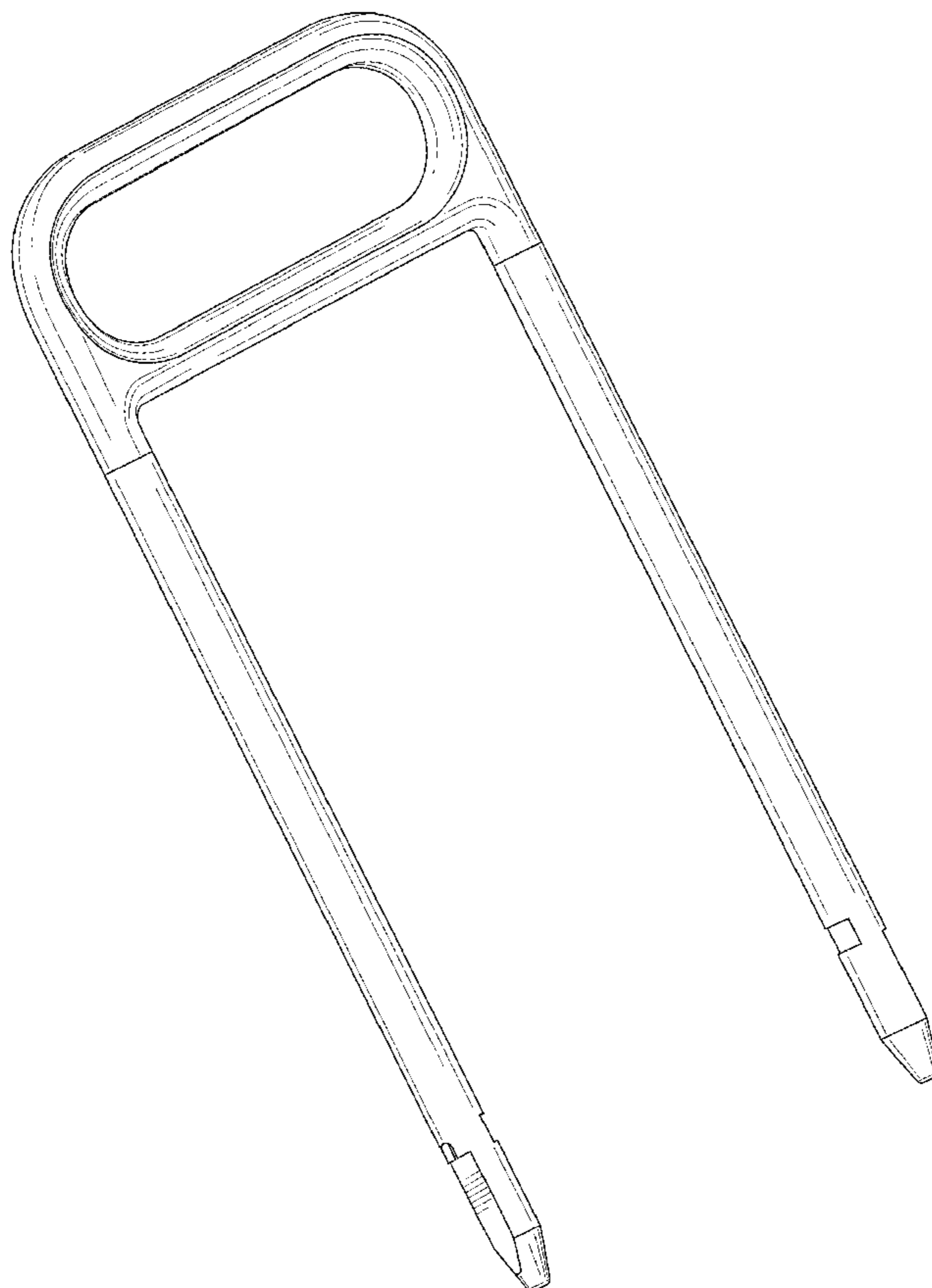
FIG. 1 is a front view of a bicycle lock showing my new design;
 FIG. 2 is a rear view thereof;
 FIG. 3 is a right side view thereof, the left side is a mirror image;
 FIG. 4 is a bottom view thereof, the top side is a mirror image;
 FIG. 5 is a left, top, front perspective thereof;
 FIG. 6 is a left, bottom, rear perspective thereof; and,
 FIG. 7 is a right, bottom, front perspective thereof.

1 Claim, 7 Drawing Sheets

(56) **References Cited**

U.S. PATENT DOCUMENTS

- 4,953,900 A * 9/1990 Pickett G09F 3/0358
292/307 R
- 5,199,282 A * 4/1993 Wang E05B 67/063
70/38 A



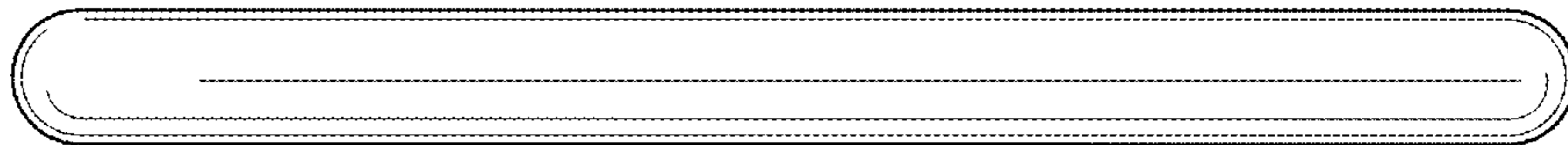


FIG. 1

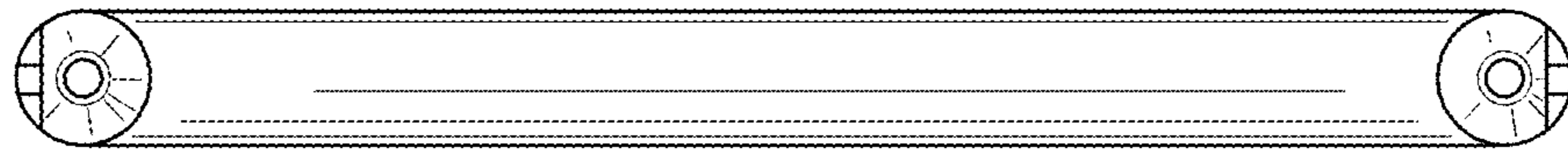


FIG. 2

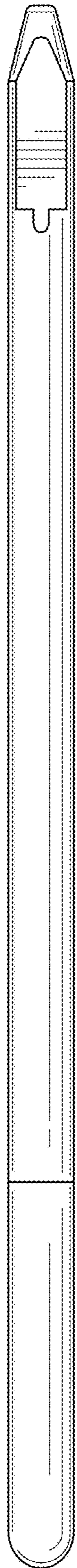


FIG. 3

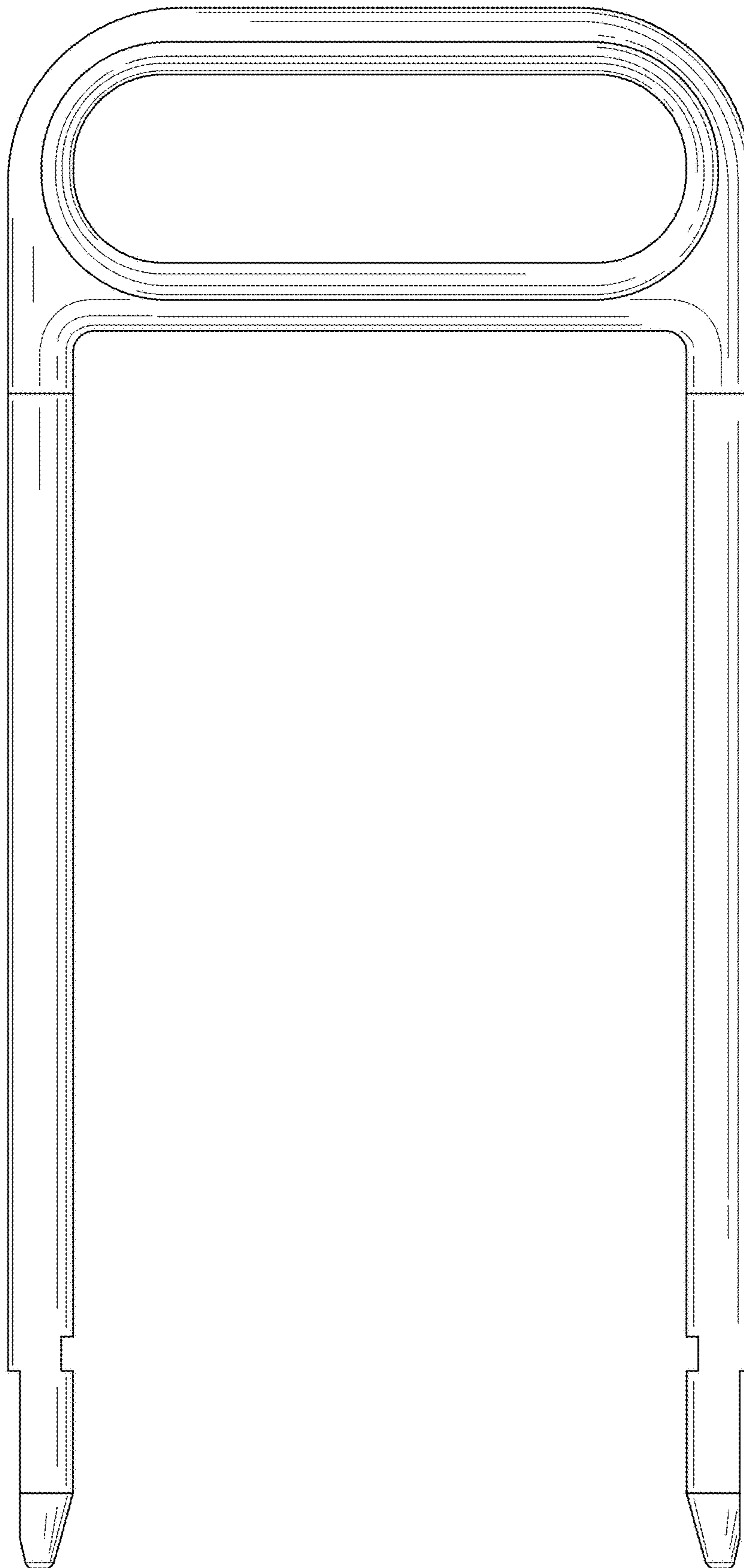


FIG. 4

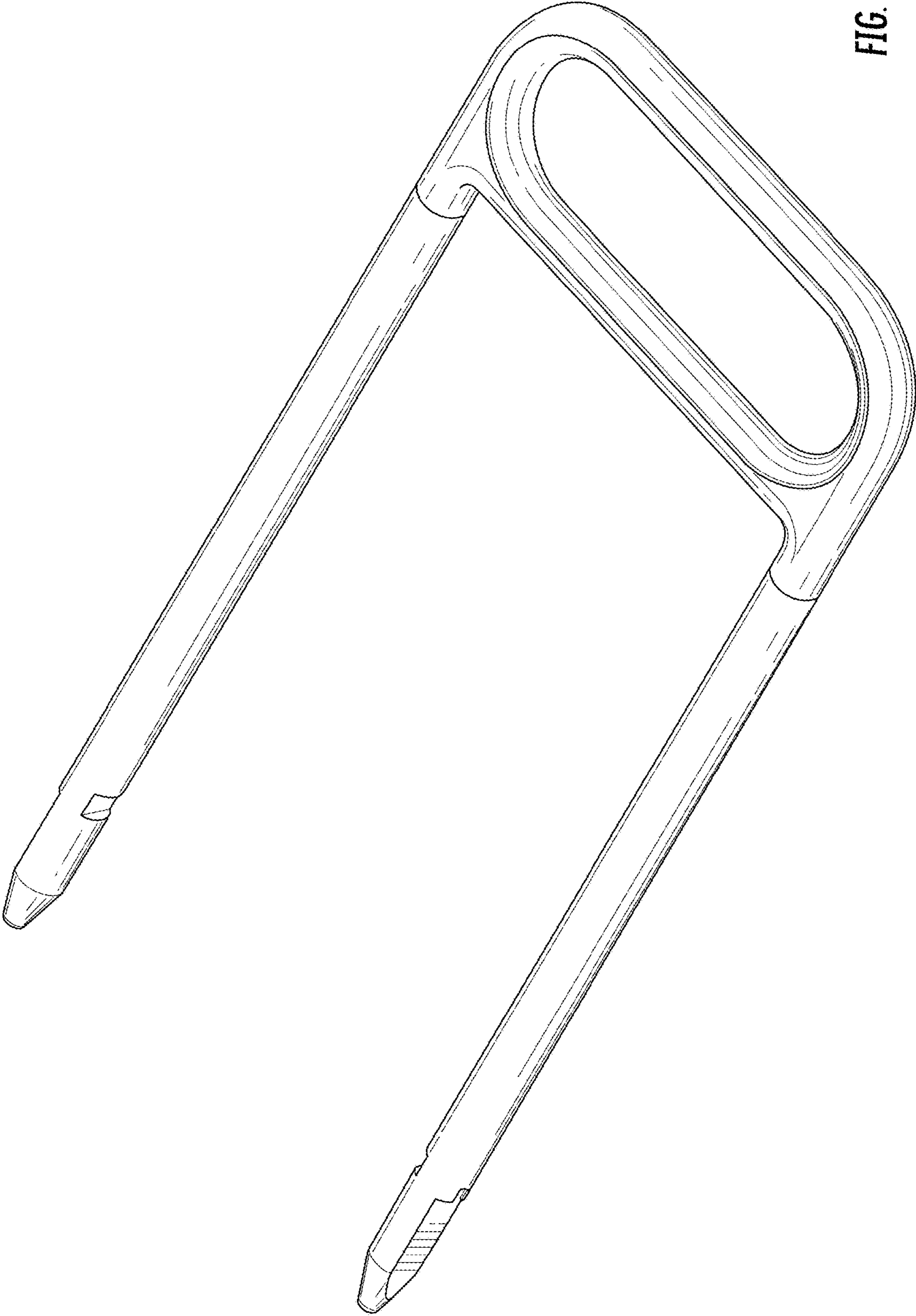


FIG. 5

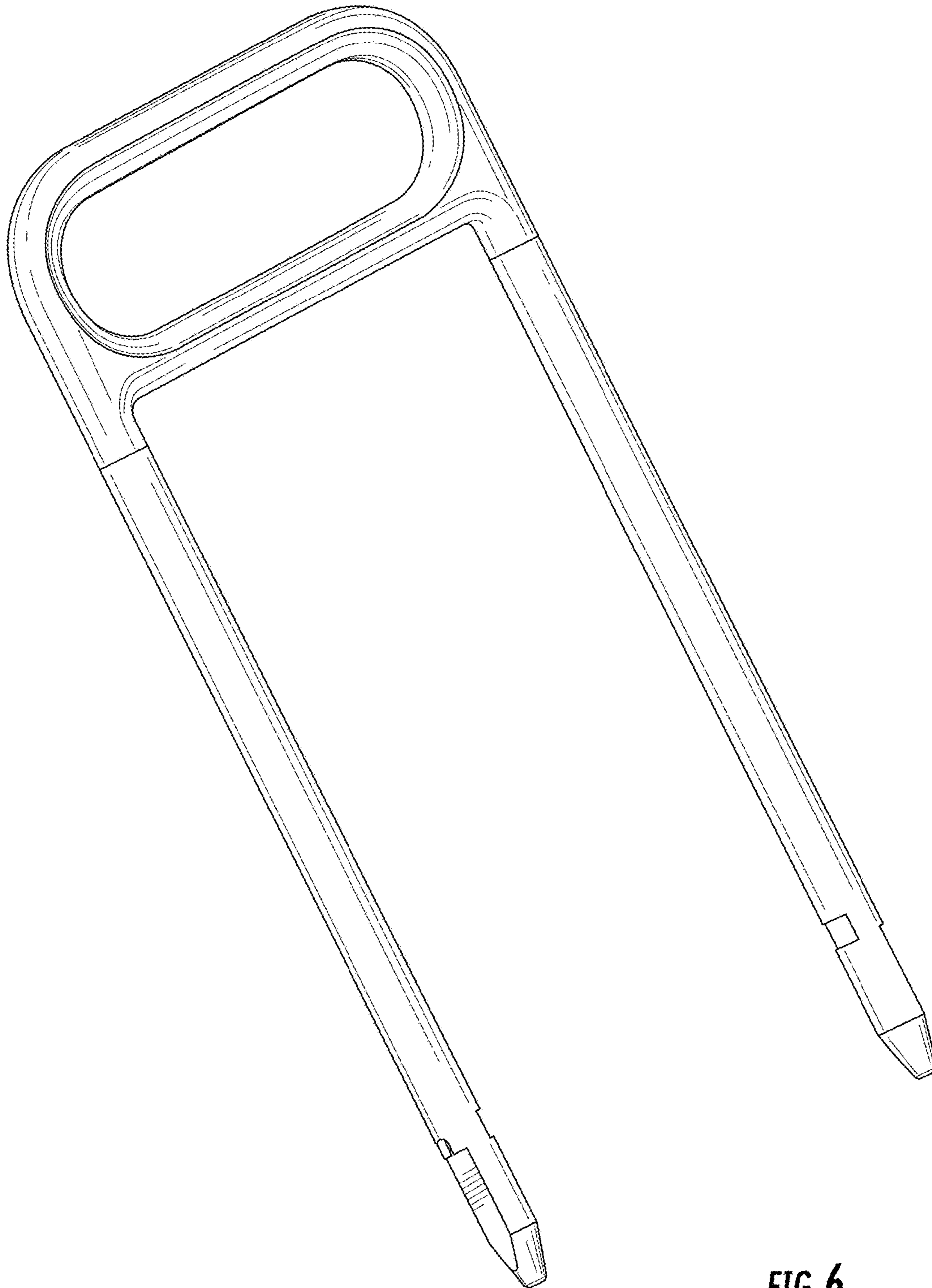


FIG. 6

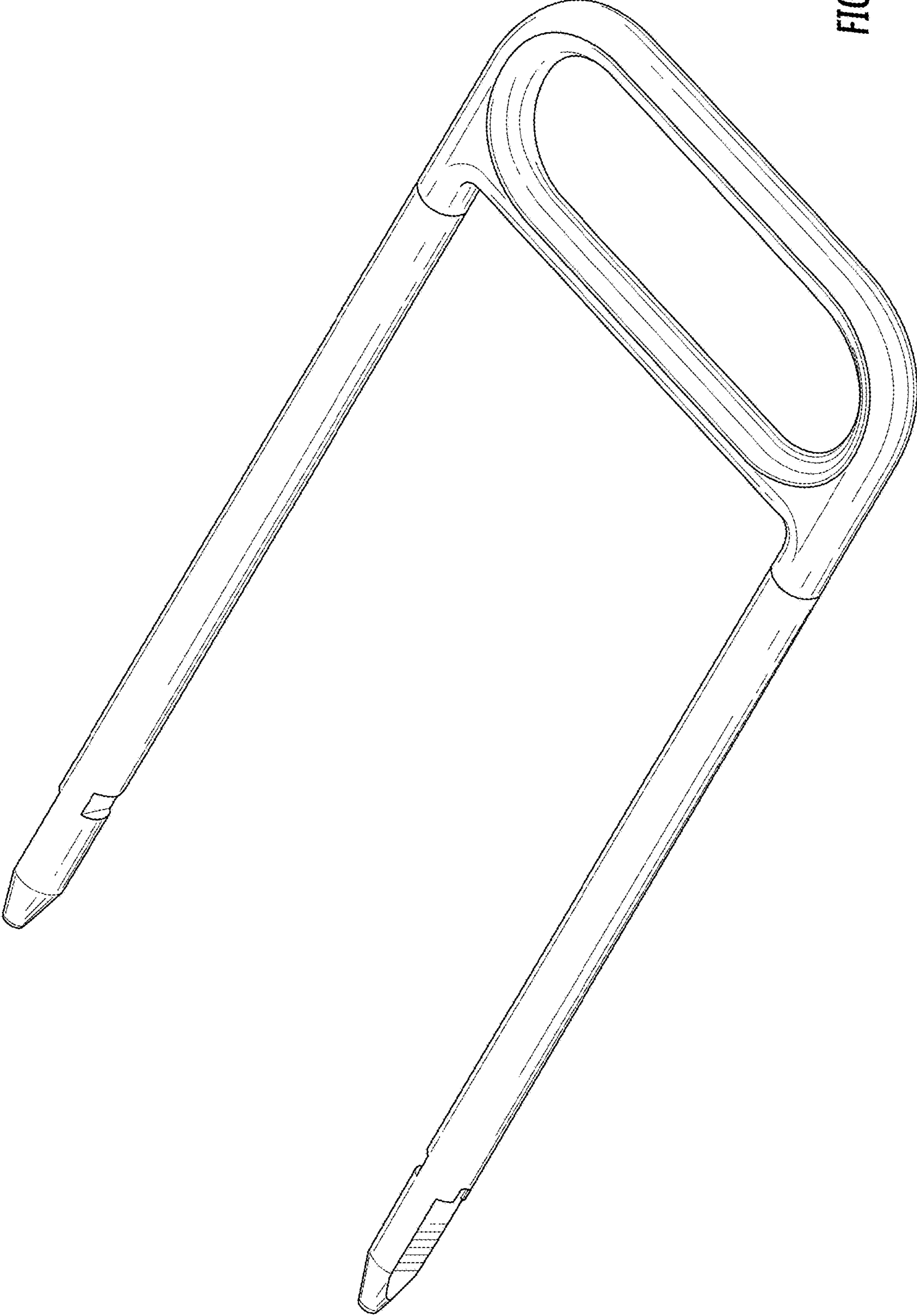


FIG. 7